



US00D533859S

(12) **United States Design Patent**
Nishii et al.

(10) **Patent No.:** **US D533,859 S**

(45) **Date of Patent:** **** Dec. 19, 2006**

(54) **TELEVISION RECEIVER FOR AN
AUTOMOBILE**

(75) Inventors: **Hiroki Nishii**, Sagami (JP); **Hiroyuki
Mizokawa**, Yokohama (JP); **Tadaatsu
Kawano**, Kawasaki (JP)

(73) Assignee: **Matsushita Electric Industrial Co.,
Ltd.**, Osaka (JP)

(**) Term: **14 Years**

(21) Appl. No.: **29/223,219**

(22) Filed: **Feb. 9, 2005**

(30) **Foreign Application Priority Data**

Oct. 22, 2004 (JP) 2004-032159

(51) **LOC (8) Cl.** **14-01**

(52) **U.S. Cl.** **D14/132; D14/129**

(58) **Field of Classification Search** D14/132,
D14/135, 136, 156, 157, 167, 168, 125, 129;
455/347, 348, 349, 350, 351, 344, 345, 346;
369/75.1, 75.2, 77.1, 77.2; 720/605, 600,
720/655; 348/836, 838, 180, 184, 325, 739;
341/12; 345/905; 361/681

See application file for complete search history.

(56) **References Cited**

U.S. PATENT DOCUMENTS

4,983,951 A	1/1991	Igarashi et al.
5,161,028 A	11/1992	Kawata et al.
5,173,686 A	12/1992	Fujihara
D391,251 S	2/1998	Yuyama et al.
D454,122 S	3/2002	Hori et al.
D457,504 S	5/2002	Hori et al.

D468,276 S	1/2003	Chang	
D468,711 S	1/2003	Chang	
D469,068 S	1/2003	Furusawa	
D469,413 S	1/2003	To et al.	
6,570,628 B1 *	5/2003	Hirano	349/11
D482,669 S	11/2003	Hori et al.	
6,816,177 B1 *	11/2004	Wang et al.	345/156
D513,245 S *	12/2005	Suzuki	D14/157
D513,609 S *	1/2006	Nishii et al.	D14/132

OTHER PUBLICATIONS

Crutchfield Catalog, 2005, pp. 60 and 61, Indash receiver/
monitors.*

Panasonic, In-dash LCD Monitor CQ-VD7001U, undated.*

* cited by examiner

Primary Examiner—Philip S. Hyder

(74) *Attorney, Agent, or Firm*—Brinks Hofer Gilson &
Lione

(57) **CLAIM**

We claim the ornamental design for a television receiver for
an automobile, as shown and described.

DESCRIPTION

FIG. 1 is a top perspective view of a television receiver for
an automobile of the present invention;

FIG. 2 is a front view thereof;

FIG. 3 is a top view thereof;

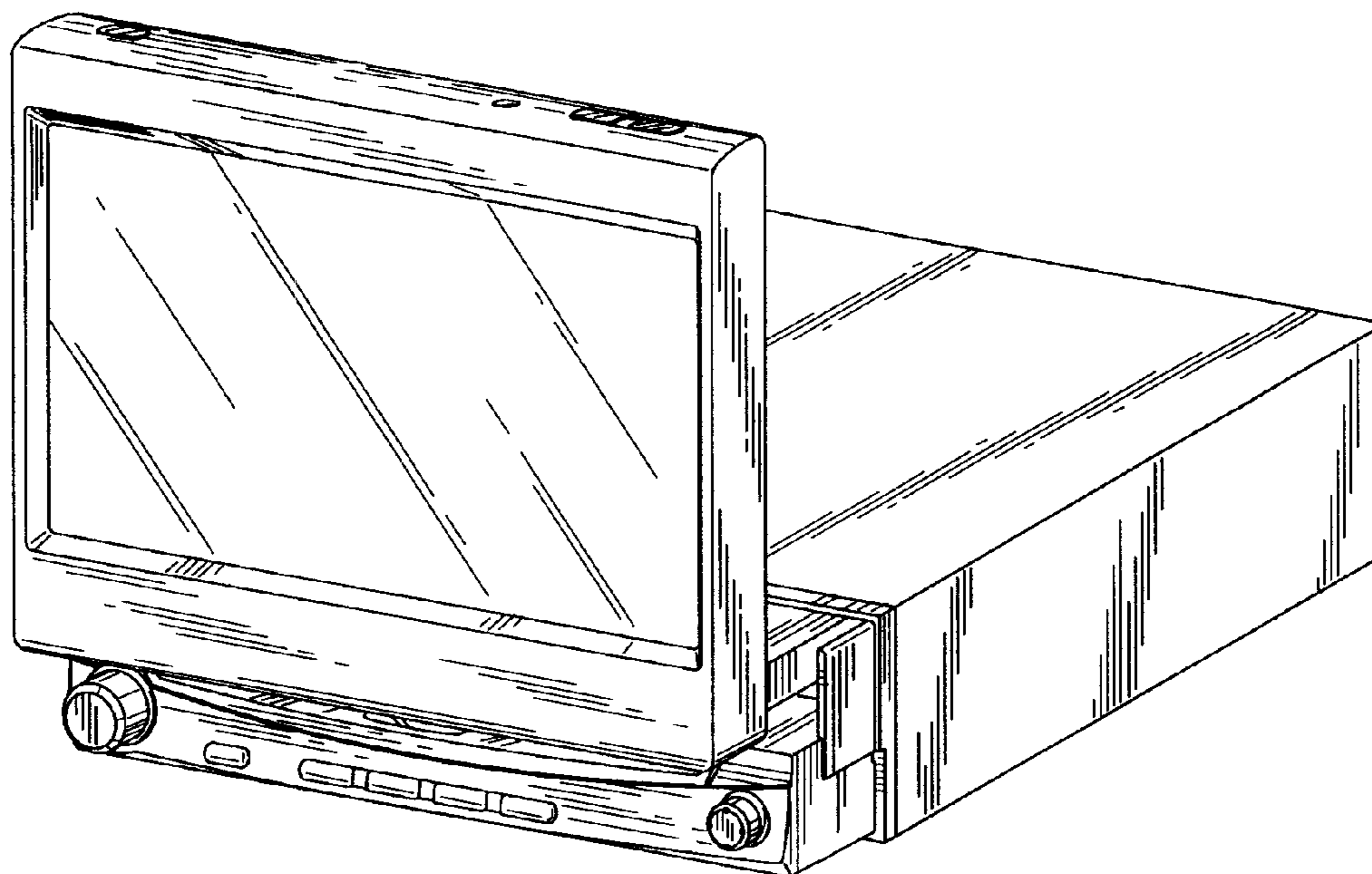
FIG. 4 is a bottom view thereof;

FIG. 5 is a first side view thereof; and,

FIG. 6 is a second side view thereof.

The bottom view has been omitted and forms no part of the
claimed design.

1 Claim, 3 Drawing Sheets



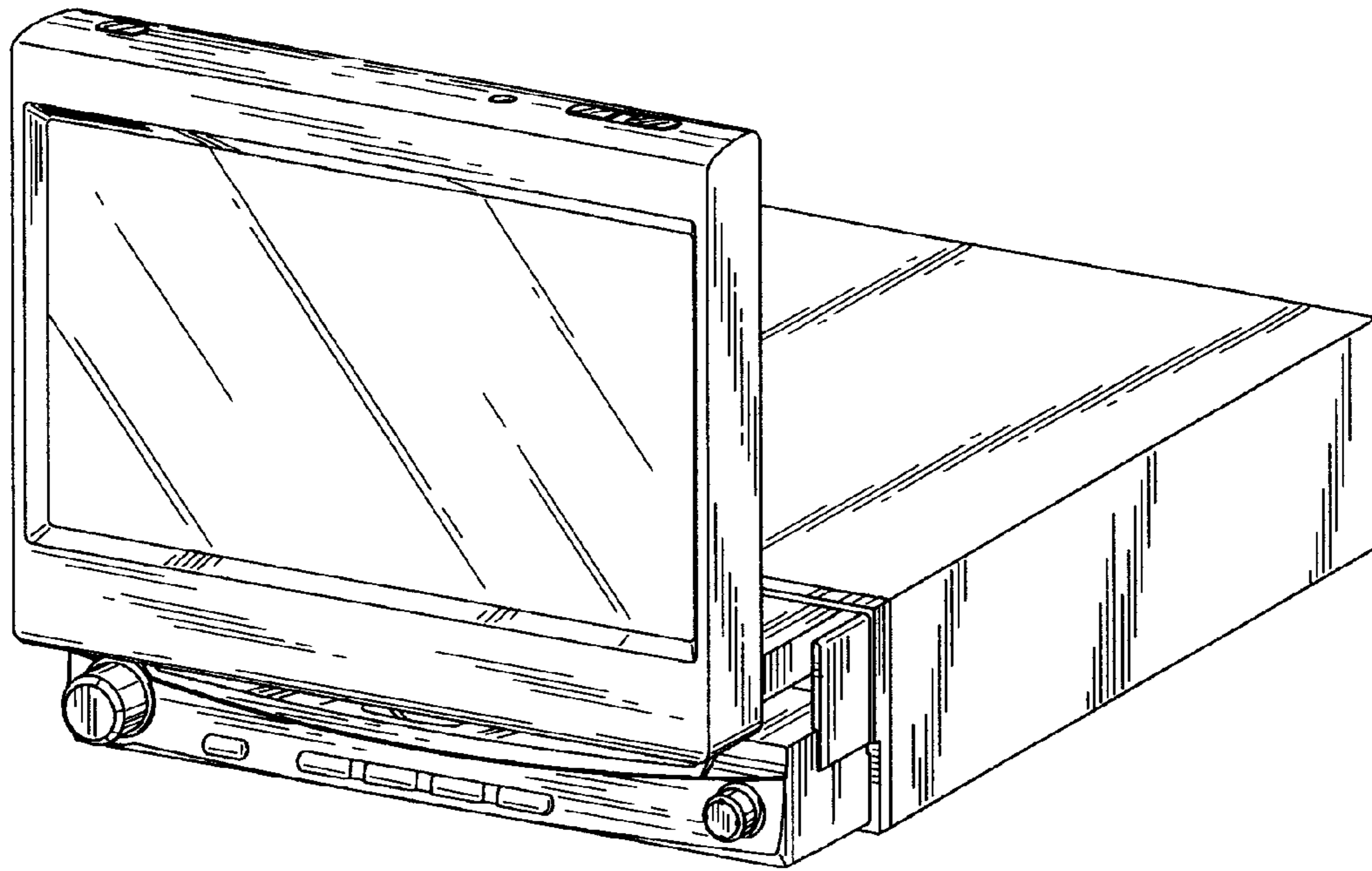


FIG. 1

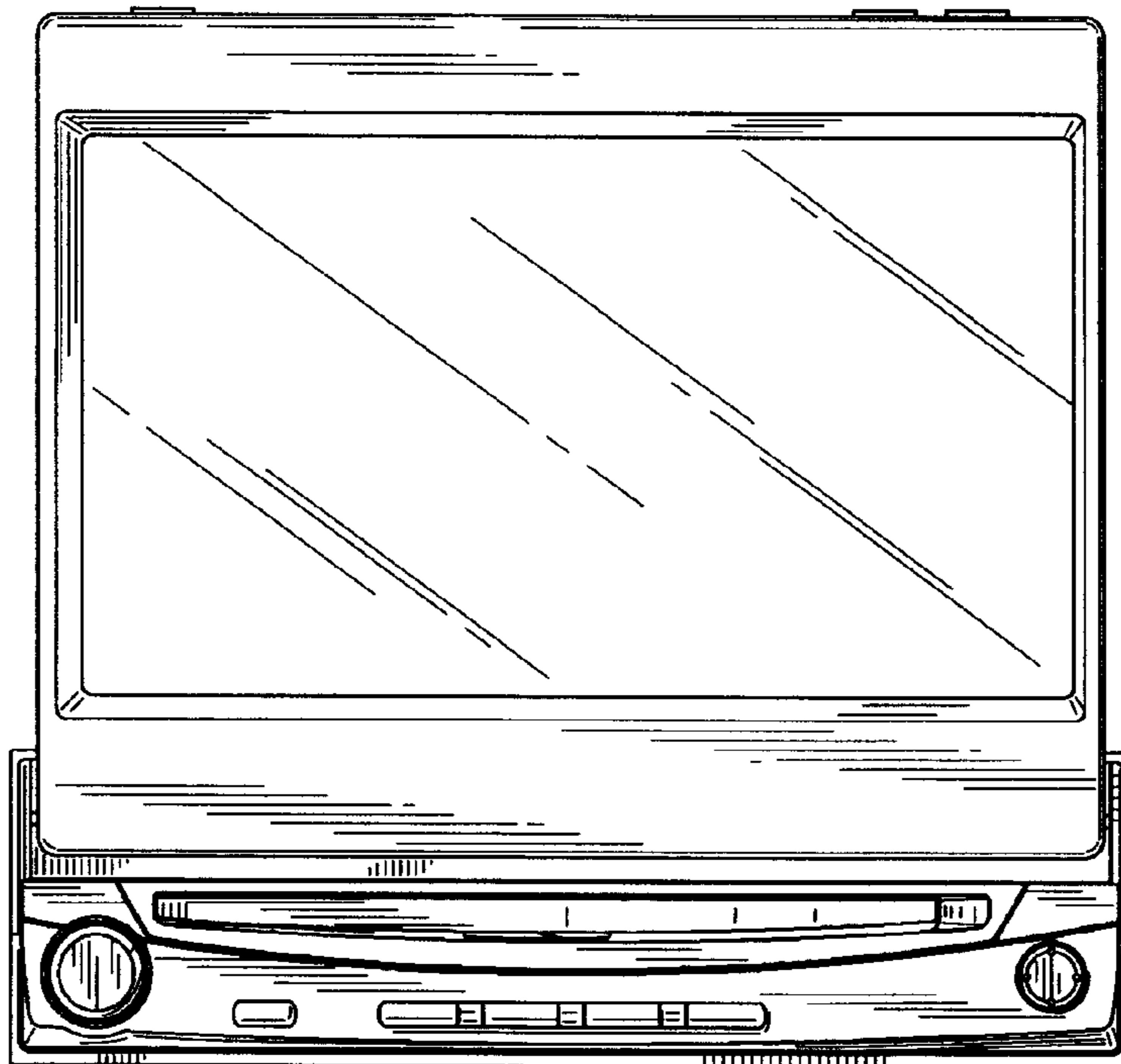


FIG. 2

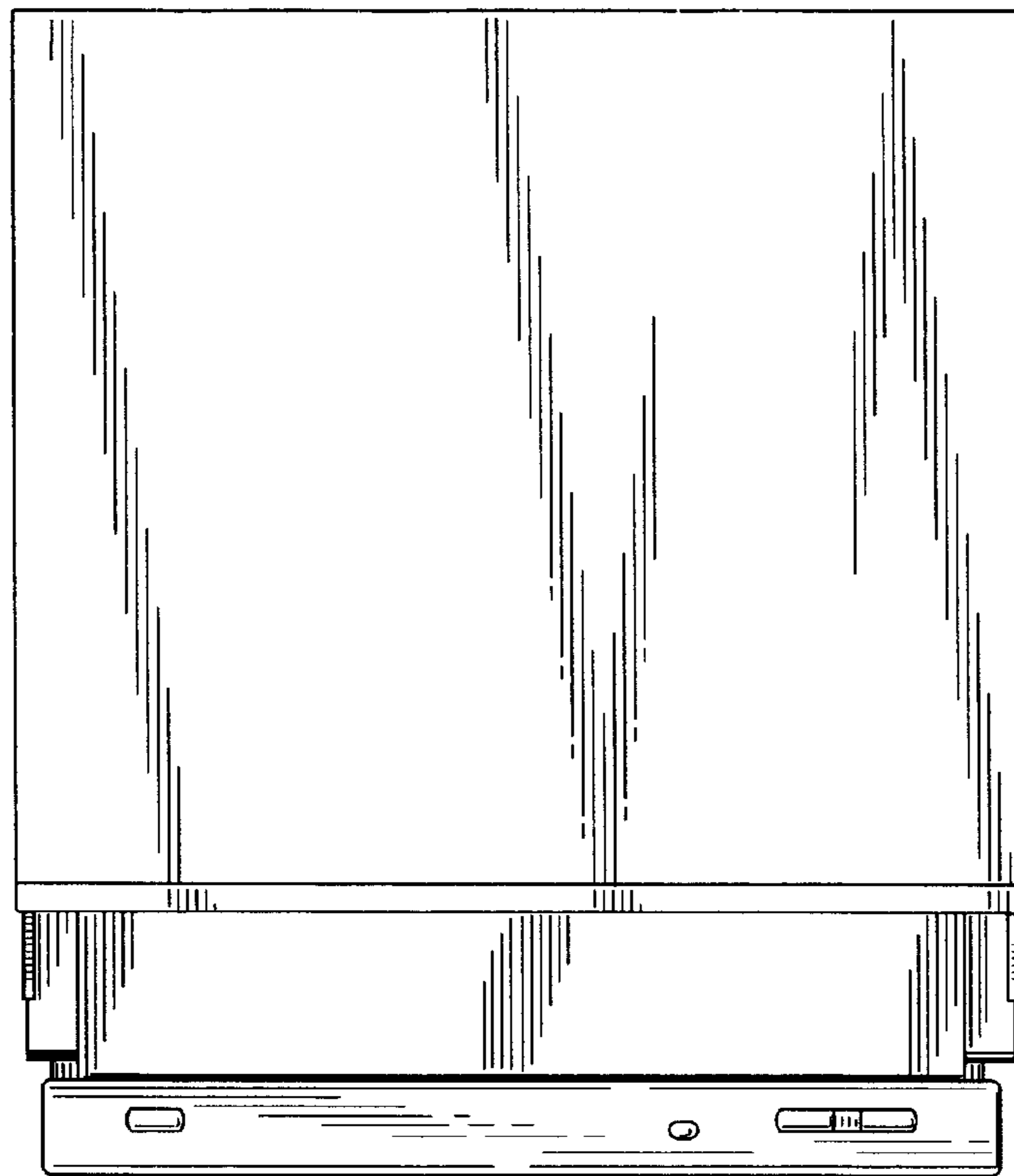


FIG. 3

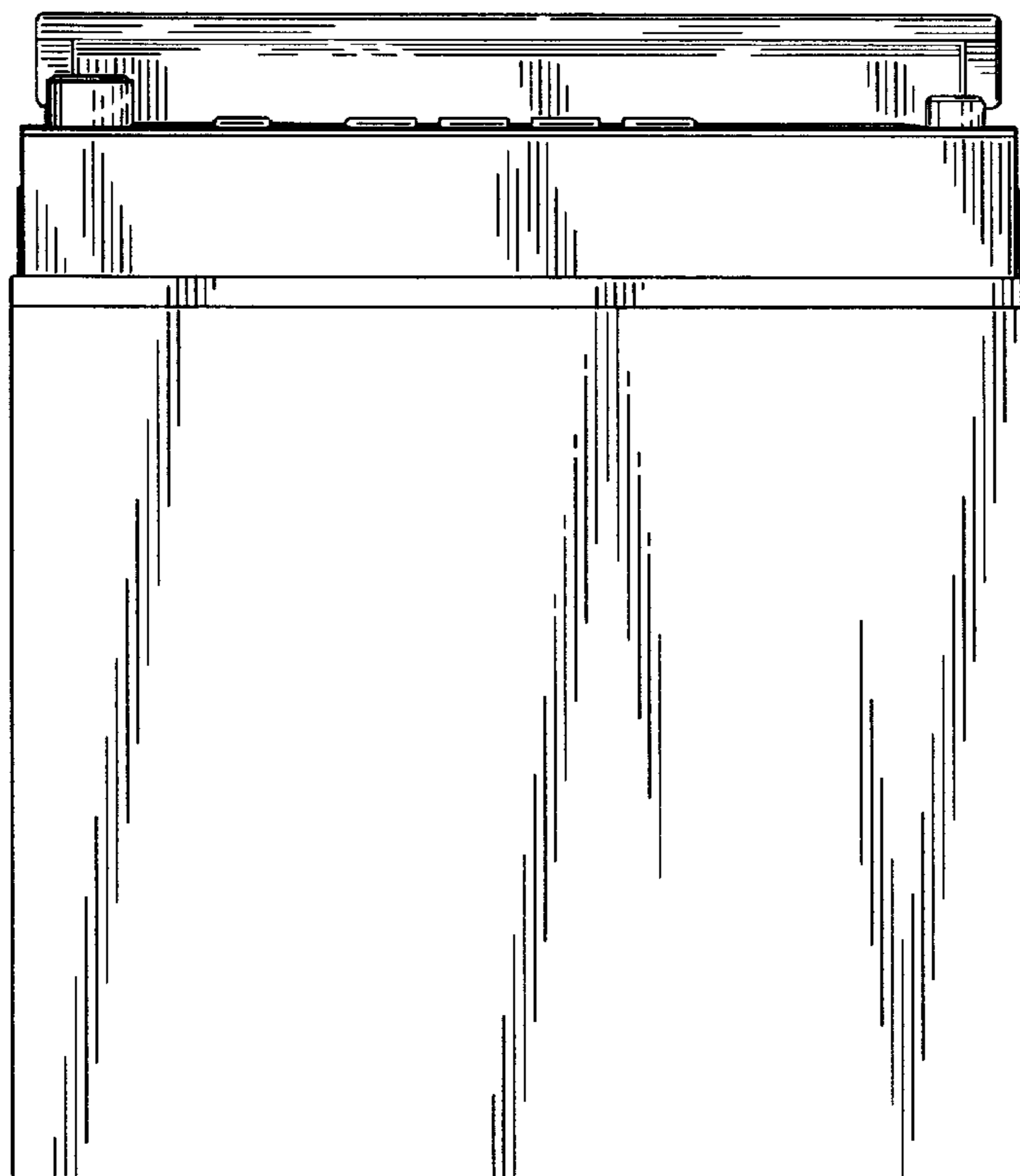


FIG. 4

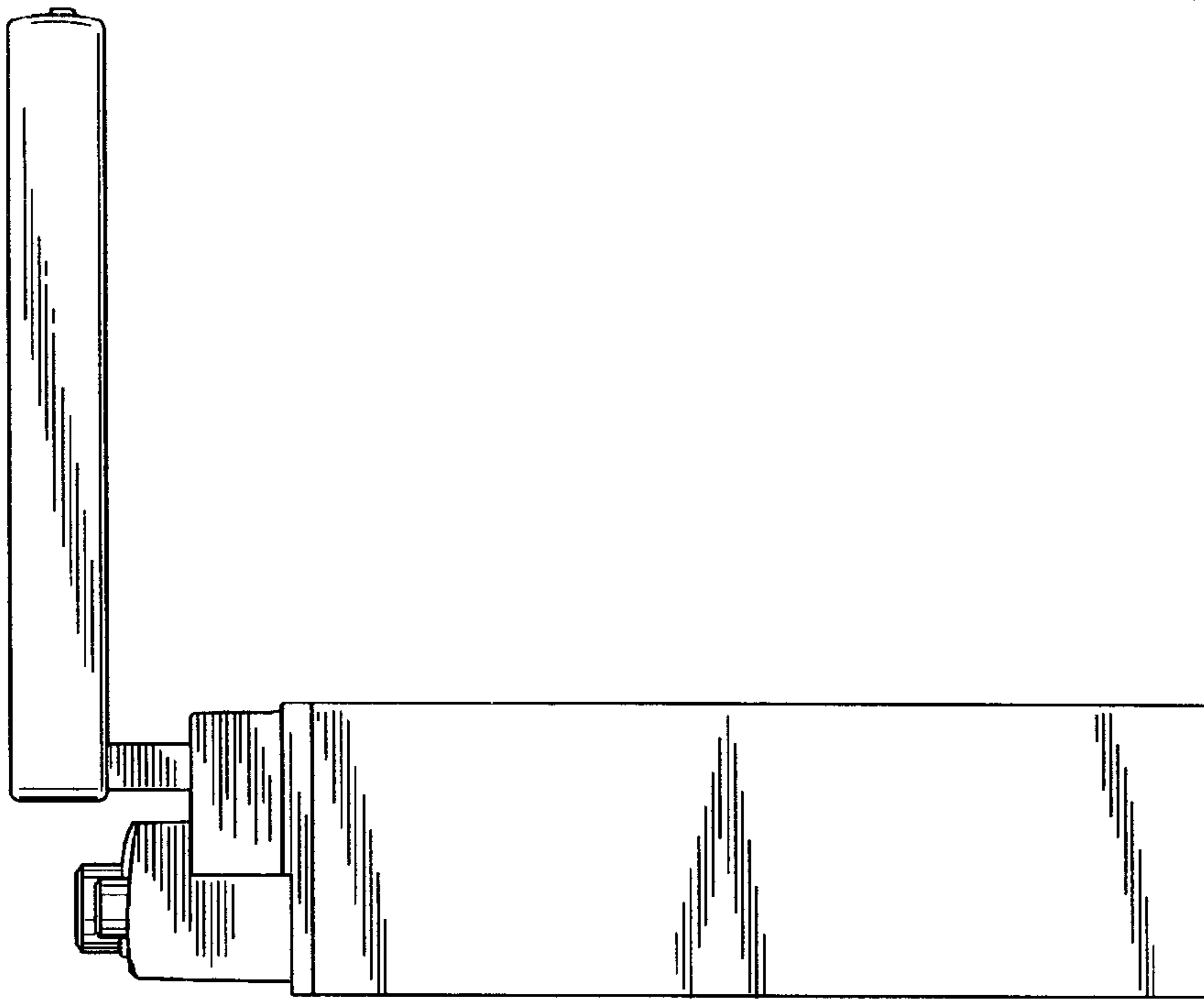


FIG. 5

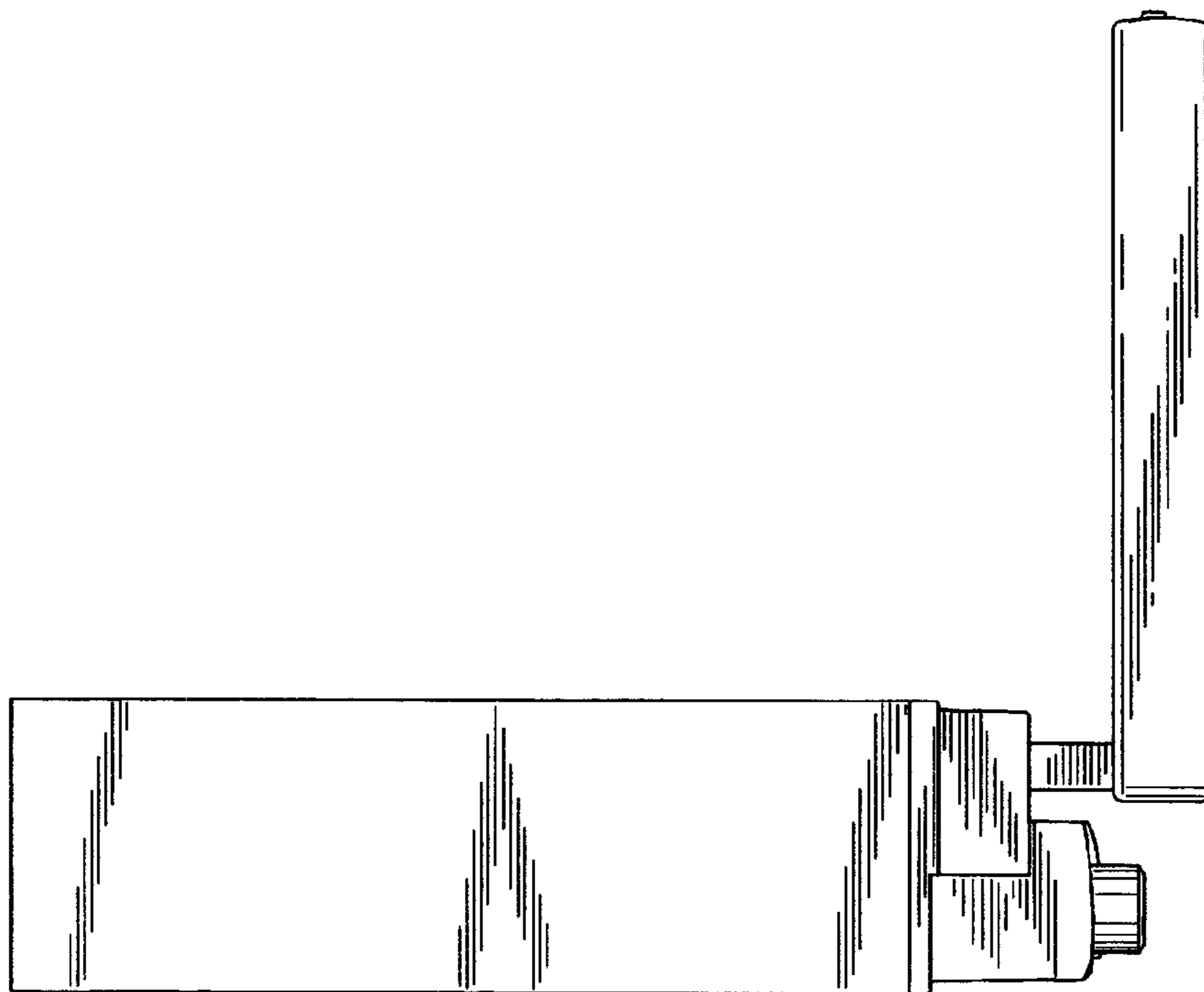


FIG. 6