

US00D533858S

(12) **United States Design Patent**  
**Villalobos et al.**

(10) **Patent No.:** **US D533,858 S**

(45) **Date of Patent:** **\*\* Dec. 19, 2006**

(54) **REAR PROJECTION TELEVISION**

(75) Inventors: **Ernesto Villalobos**, Chula Vista, CA  
(US); **Sage Baker**, San Diego, CA  
(US); **Masaaki Goto**, Niihama (JP)

(73) Assignee: **Matsushita Electric Industrial Co., Ltd.**, Osaka (JP)

(\*\*) Term: **14 Years**

(21) Appl. No.: **29/218,682**

(22) Filed: **Dec. 6, 2004**

(51) **LOC (8) Cl.** ..... **14-03**

(52) **U.S. Cl.** ..... **D14/128**

(58) **Field of Classification Search** ..... D14/125,  
D14/126, 127, 128, 129, 130, 239, 374, 375,  
D14/376; 348/836, 838, 180, 184, 325, 739,  
348/825; 341/12; 248/917-924; 345/87, 104,  
345/133, 156, 168, 173; 353/74

See application file for complete search history.

(56) **References Cited**

**U.S. PATENT DOCUMENTS**

D368,087 S	3/1996	Gioscia	
D418,832 S	1/2000	Tsuge	
D431,232 S	9/2000	Yokoyama et al.	
D441,732 S	5/2001	Ota	
D454,846 S	3/2002	Goto	
D457,507 S	5/2002	Lim et al.	
D467,233 S	12/2002	Takemoto et al.	
D473,853 S	4/2003	Inoue et al.	
D485,538 S	1/2004	Goto et al.	
D487,433 S	* 3/2004	Kanatani	D14/126
D488,784 S	* 4/2004	Takami et al.	D14/126
D490,063 S	* 5/2004	Miller	D14/126

D494,941 S	*	8/2004	Kim	D14/126
D496,341 S	*	9/2004	Nakata et al.	D14/126
D504,669 S	*	5/2005	Fujiki	D14/126
D505,403 S	*	5/2005	Kita	D14/126
D510,568 S	*	10/2005	Joe et al.	D14/128
D512,388 S	*	12/2005	Hayakawa	D14/128

**FOREIGN PATENT DOCUMENTS**

JP	D1076543	6/2000
JP	D1121592	9/2001
JP	D1155167	10/2002

\* cited by examiner

*Primary Examiner*—Philip S. Hyder

(74) *Attorney, Agent, or Firm*—Brinks Hofer Gilson & Lione

(57) **CLAIM**

We claim the ornamental design for a rear projection television, as shown and described.

**DESCRIPTION**

FIG. 1 is a front perspective view of a rear projection television of the present invention; FIG. 2 is a rear perspective view thereof; FIG. 3 is a front view thereof; FIG. 4 is a first side view thereof; FIG. 5 is a rear view thereof; FIG. 6 is a second side view thereof; FIG. 7 is a top view thereof; and, FIG. 8 is a bottom view thereof.

The ornamental design which is claimed is shown in solid lines in the drawings. Any broken lines in the drawings are for illustrative purposes only and form no part of the claimed design.

**1 Claim, 4 Drawing Sheets**

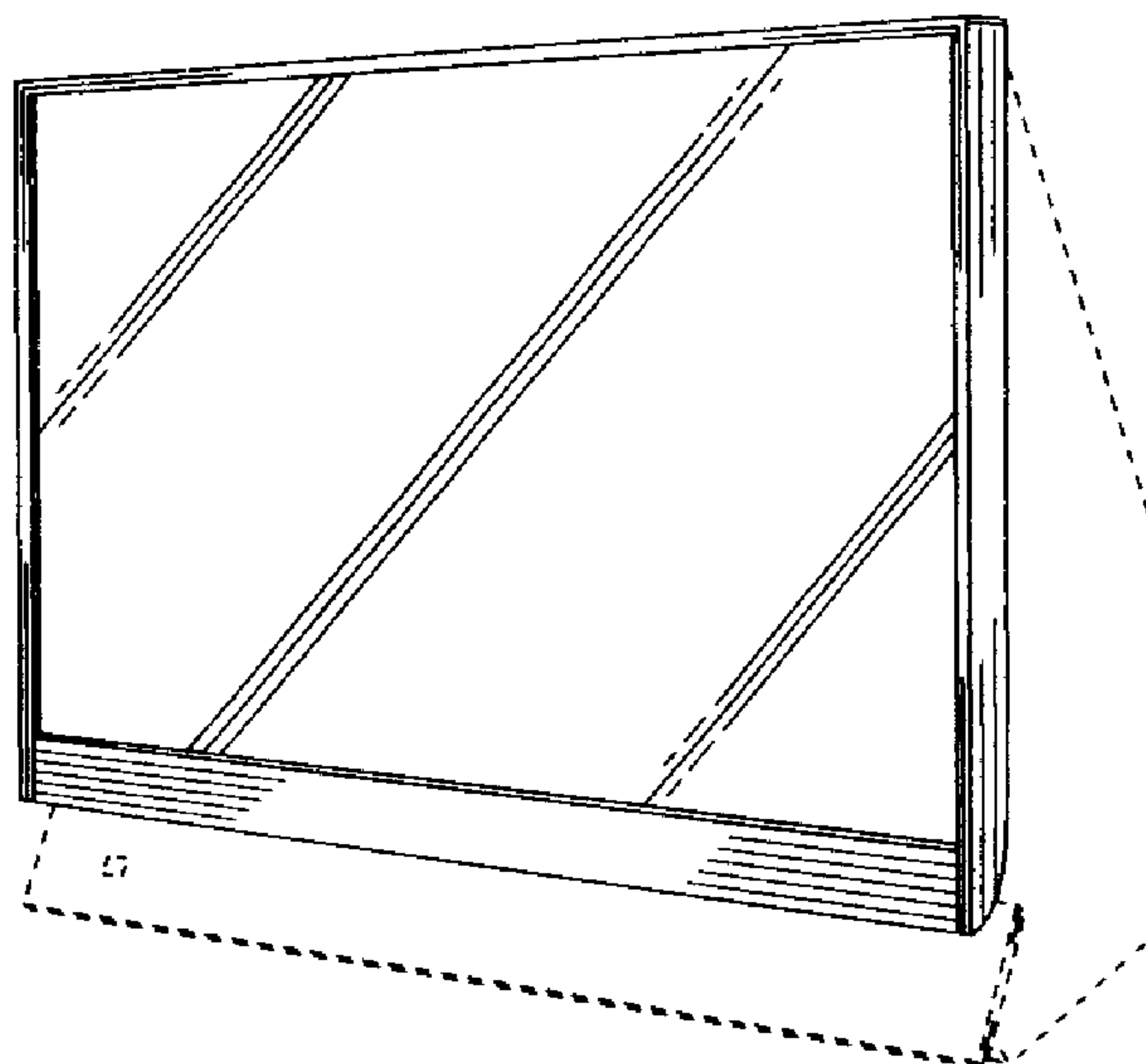


Fig. 1

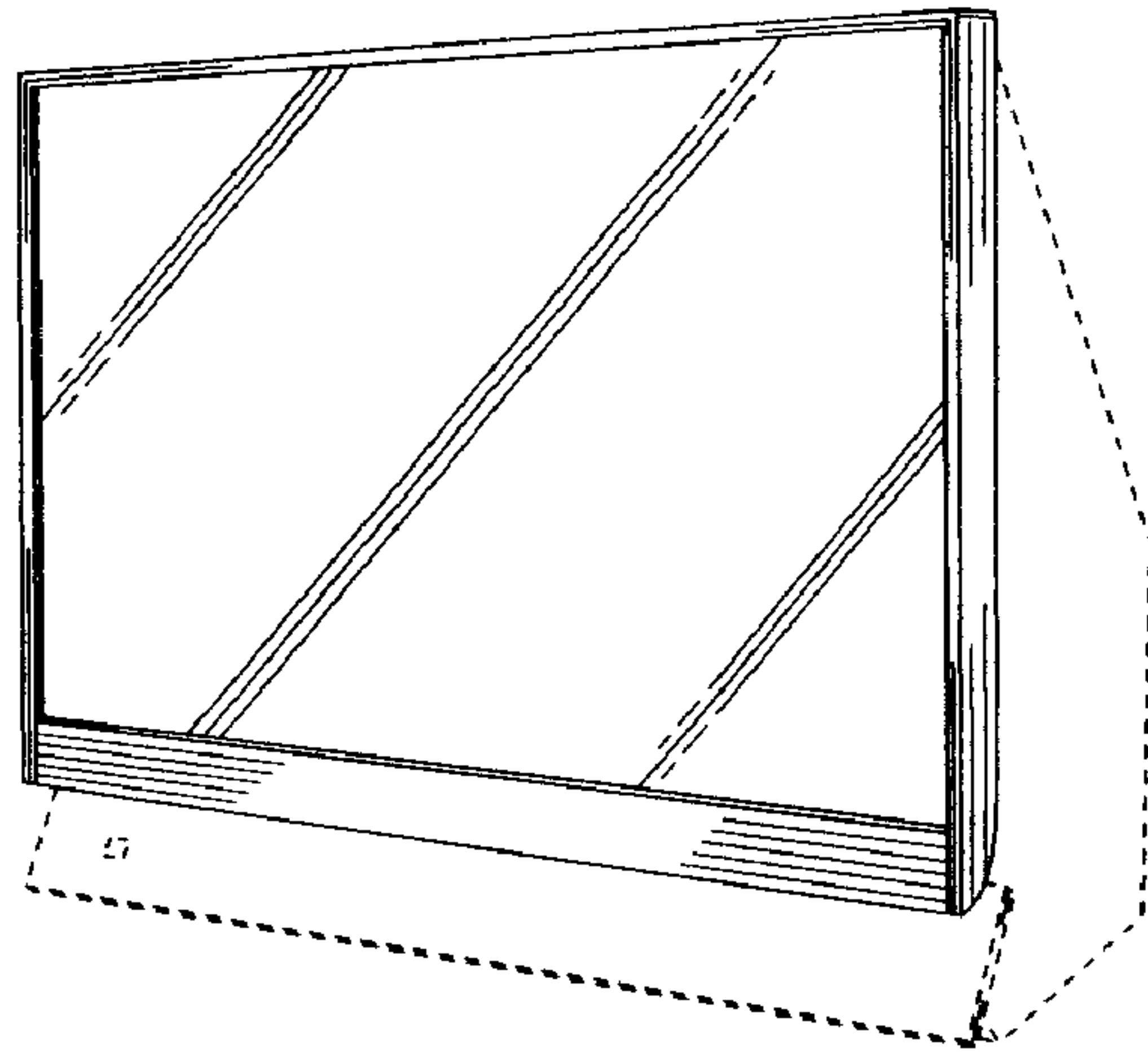


Fig. 2

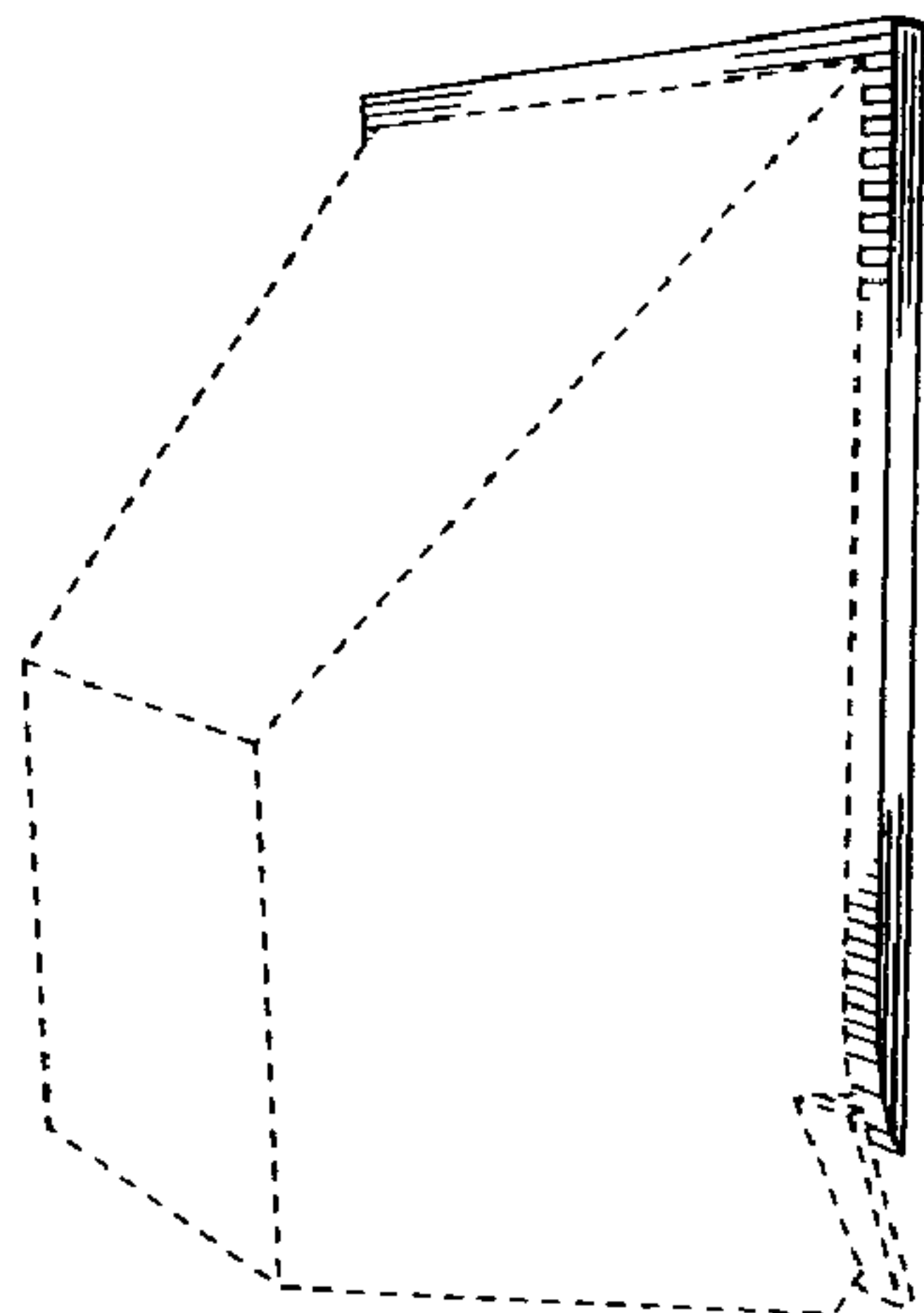


Fig.3

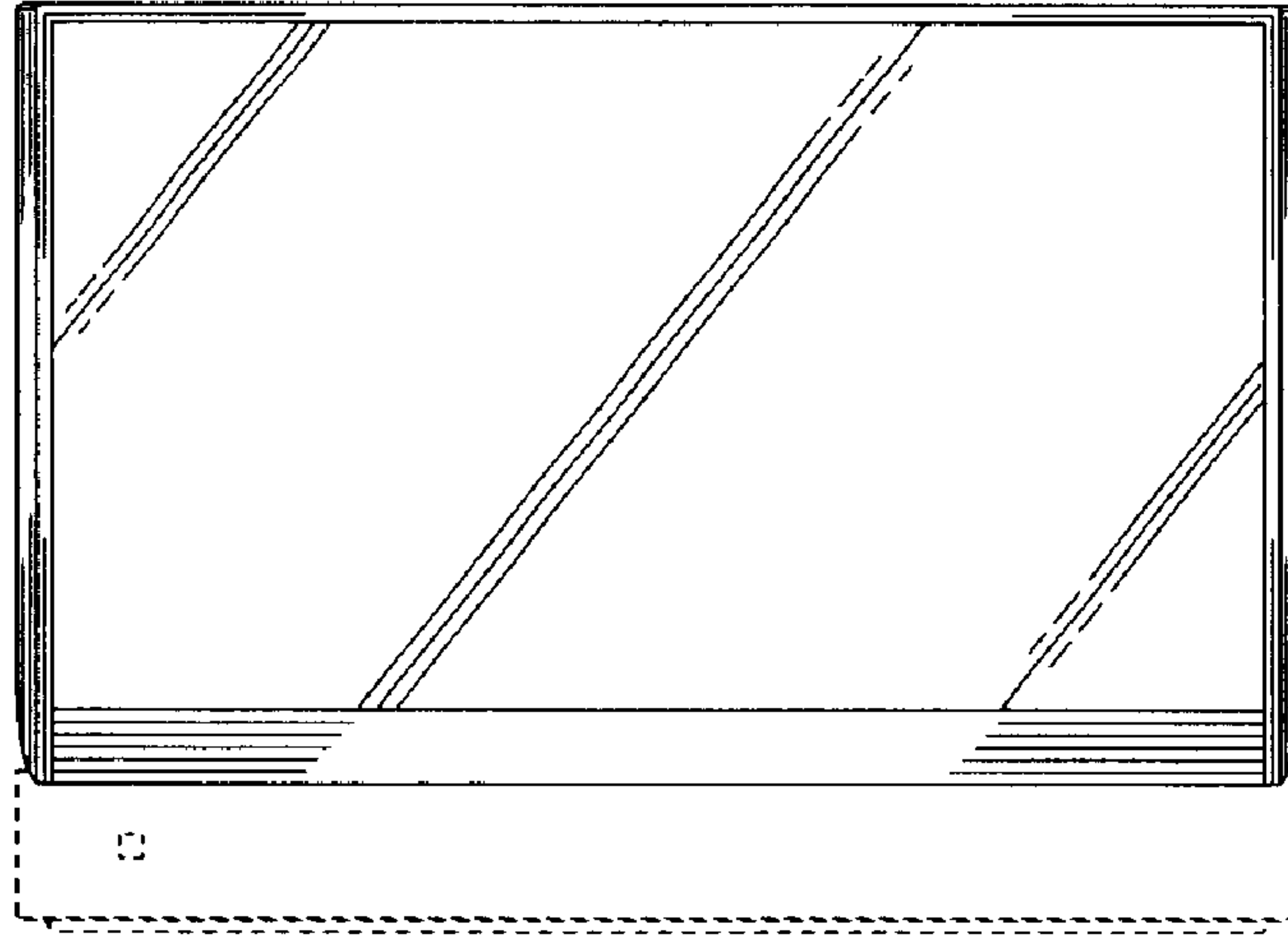


Fig.4

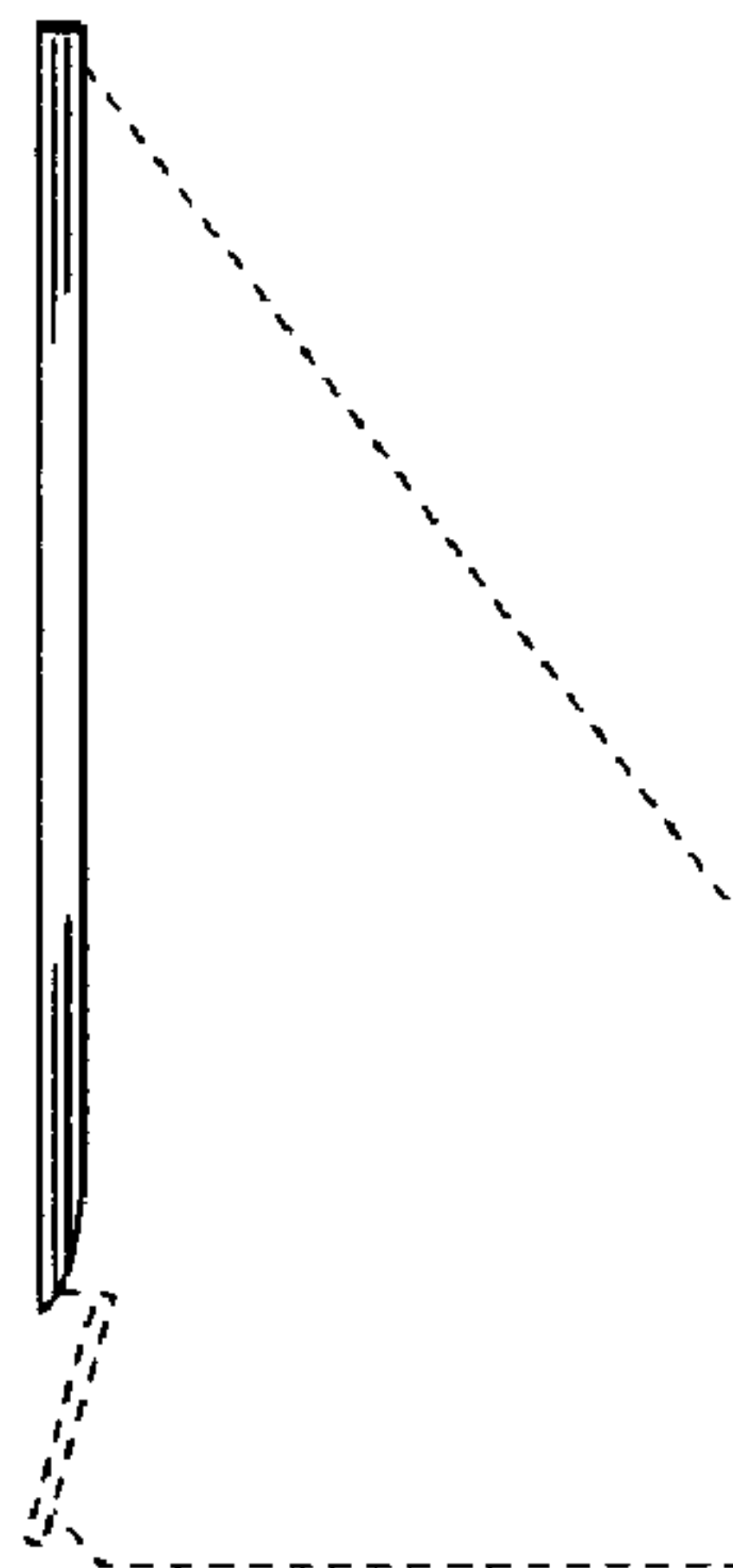


Fig.5

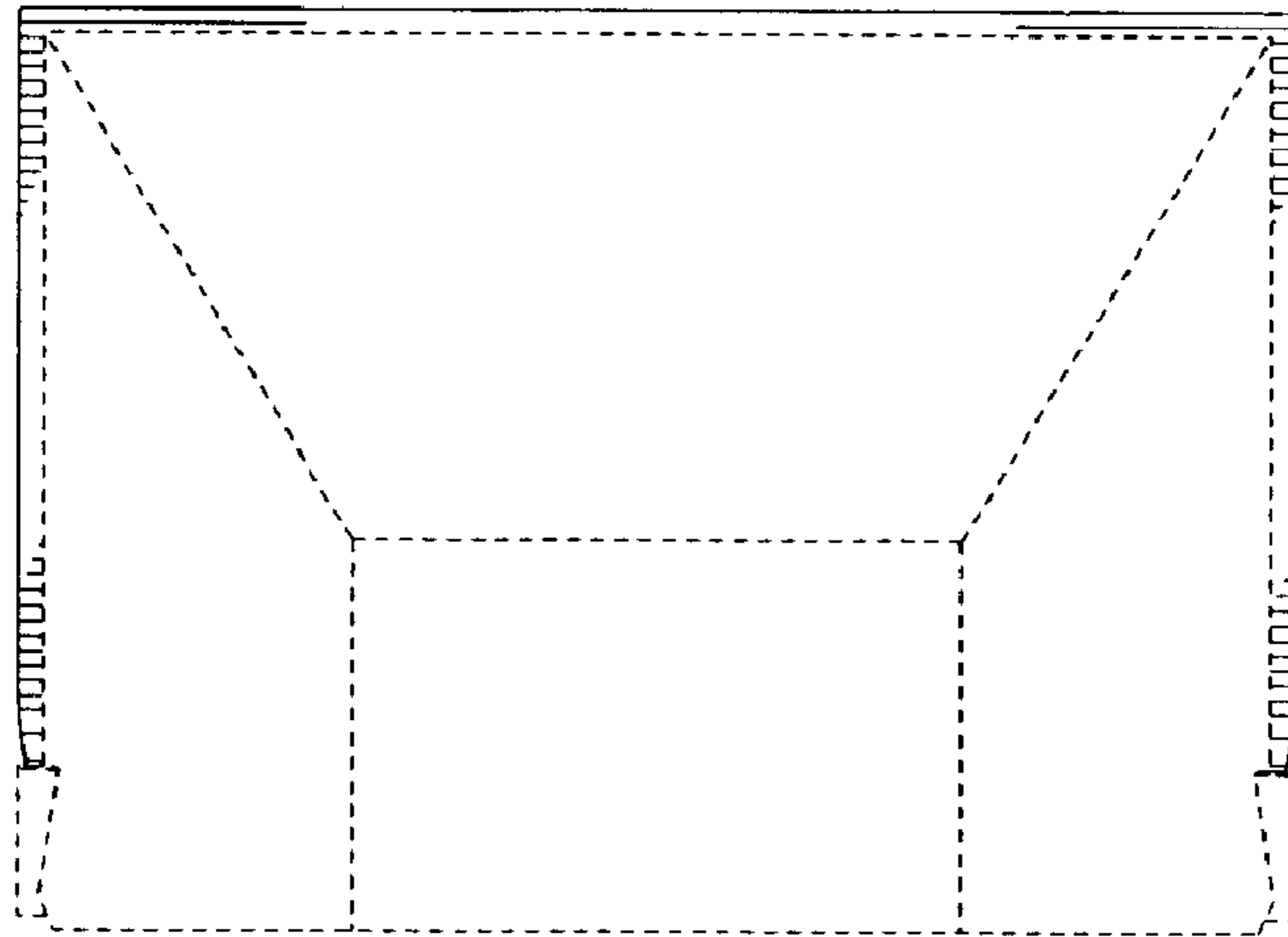


Fig.6

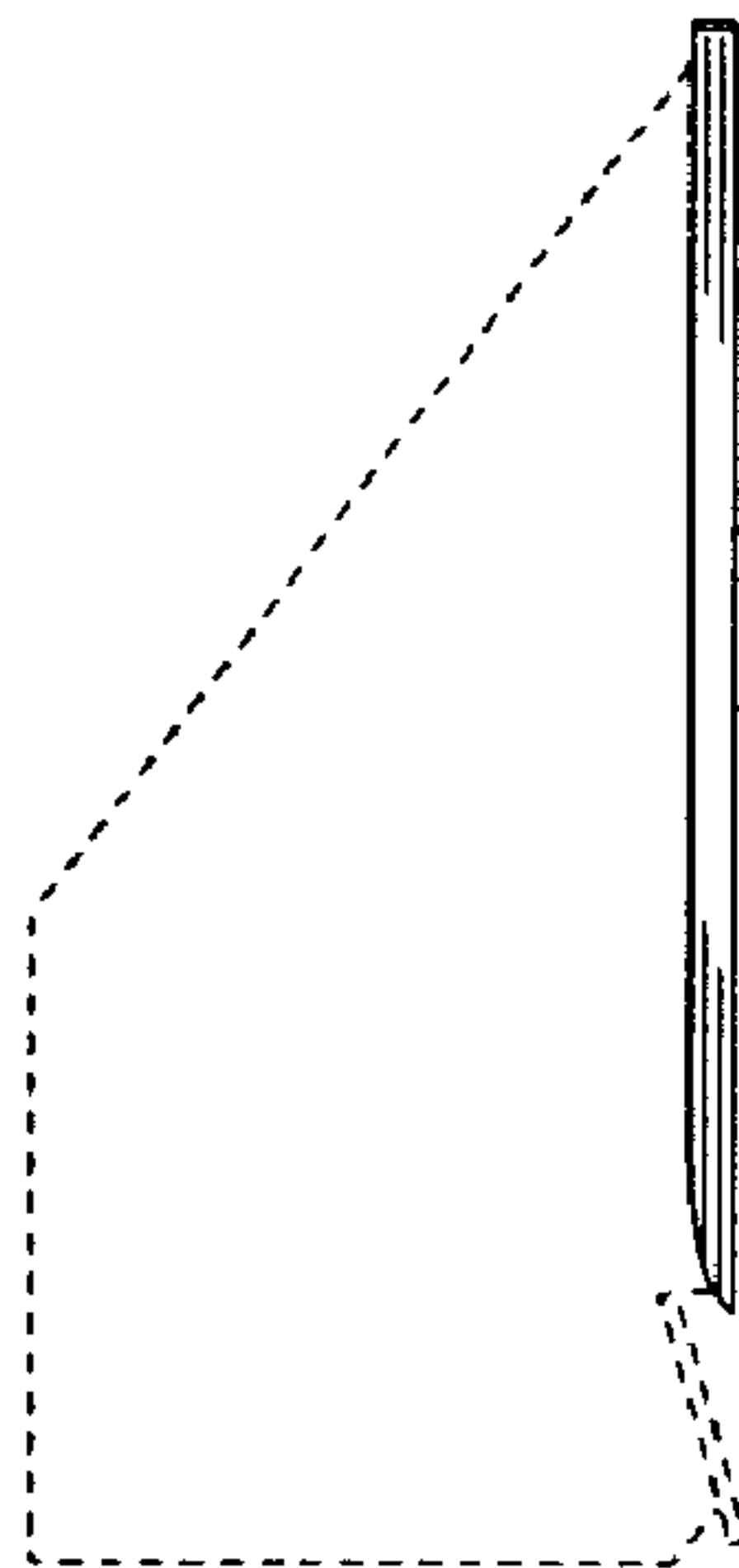


Fig7



Fig.8

