



US00D533846S

(12) **United States Design Patent**
Burton

(10) **Patent No.:** **US D533,846 S**

(45) **Date of Patent:** **** Dec. 19, 2006**

(54) **NETWORK CONNECTION SWITCH**

(75) Inventor: **Timothy Burton**, Greenwood, MN
(US)

(73) Assignee: **Microgistix, Inc.**, Minneapolis, MN
(US)

(**) Term: **14 Years**

(21) Appl. No.: **29/230,034**

(22) Filed: **May 16, 2005**

(51) **LOC (8) Cl.** **13-03**

(52) **U.S. Cl.** **D13/171**

(58) **Field of Classification Search** D13/139.8,
D13/158, 171, 174; 200/1 B, 5 A, 6 R, 293-297,
200/314, 315, 341, 344, 406, 513, 520, 523,
200/530; 370/353, 357, 400, 401
See application file for complete search history.

(56) **References Cited**

U.S. PATENT DOCUMENTS

D290,836 S * 7/1987 Oesterheld et al. D13/139.8
D292,204 S * 10/1987 Booty et al. D13/156
D305,019 S * 12/1989 Pena et al. D13/171

D305,881 S * 2/1990 Bergeron D13/158
2004/0136384 A1 * 7/2004 Cho 370/401
2005/0152306 A1 * 7/2005 Bonnassieux et al. 370/328

* cited by examiner

Primary Examiner—Selina Sikder

(74) *Attorney, Agent, or Firm*—Plevy, Howard & Darcy, PC

(57) **CLAIM**

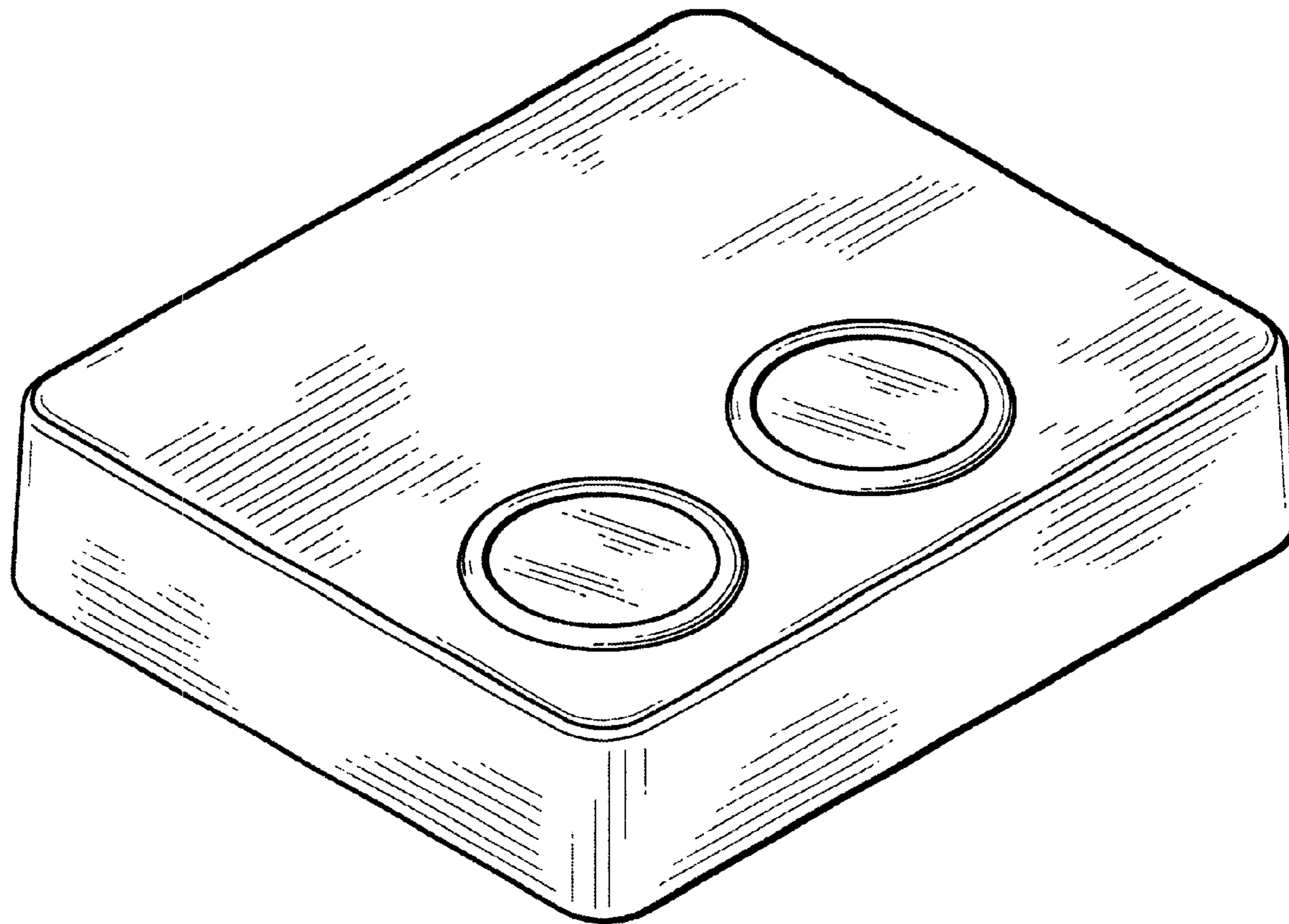
The ornamental design for a network connection switch, as shown and described.

DESCRIPTION

FIG. 1 is an isometric view from the front of a network connection switch showing my new design; FIG. 2 is an isometric view thereof from the rear. FIG. 3 is a front elevational view thereof; FIG. 4 is a rear elevational view thereof; FIG. 5 is a left side elevational view thereof, a right side elevational view thereof being a mirror image; FIG. 6 is a top plan view thereof; and, FIG. 7 is a bottom plan view thereof.

The matter shown in dashed lines represents exemplary locations and configurations of connectors, which are not part of the claimed design.

1 Claim, 5 Drawing Sheets



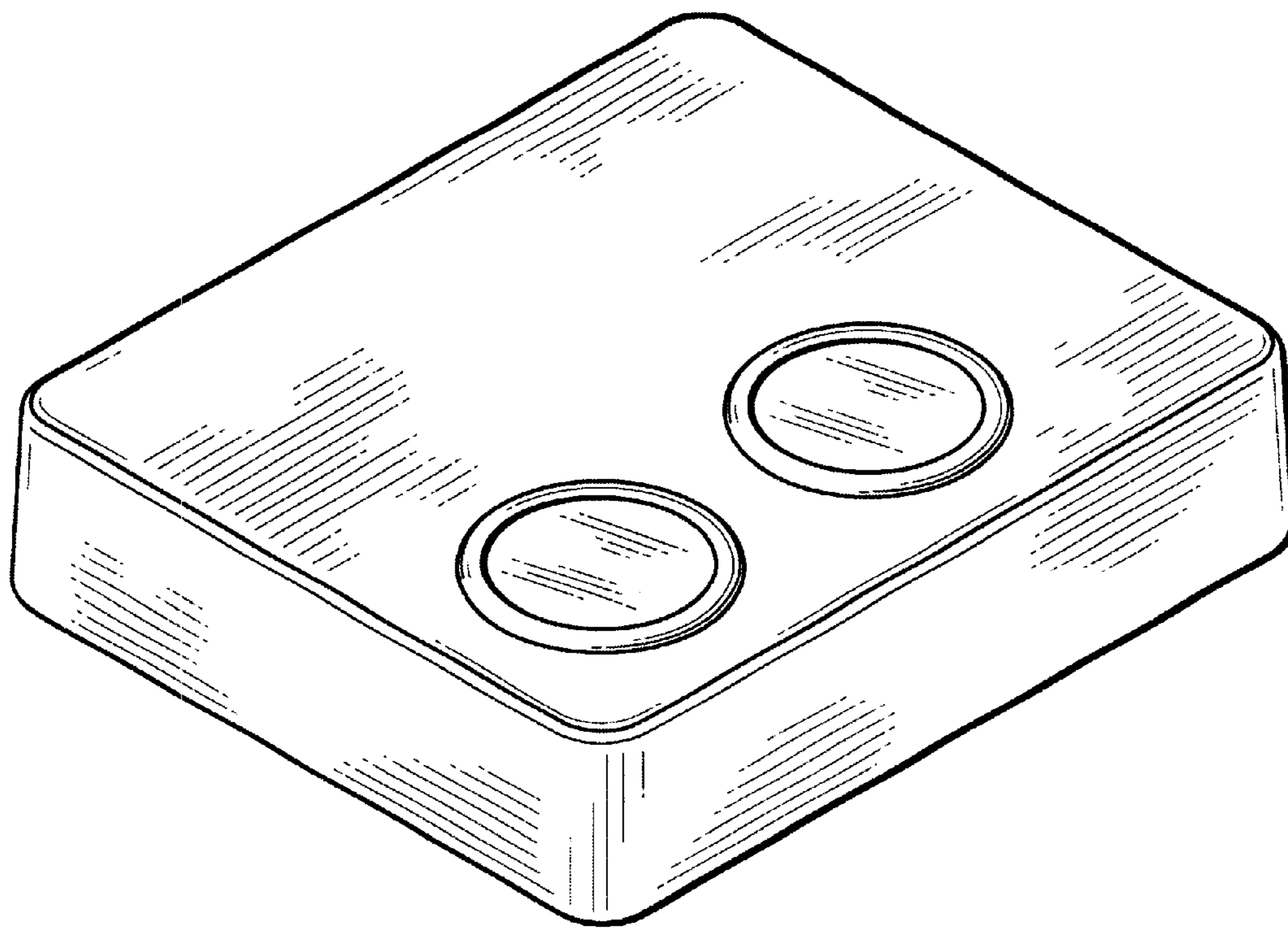


FIG. 1

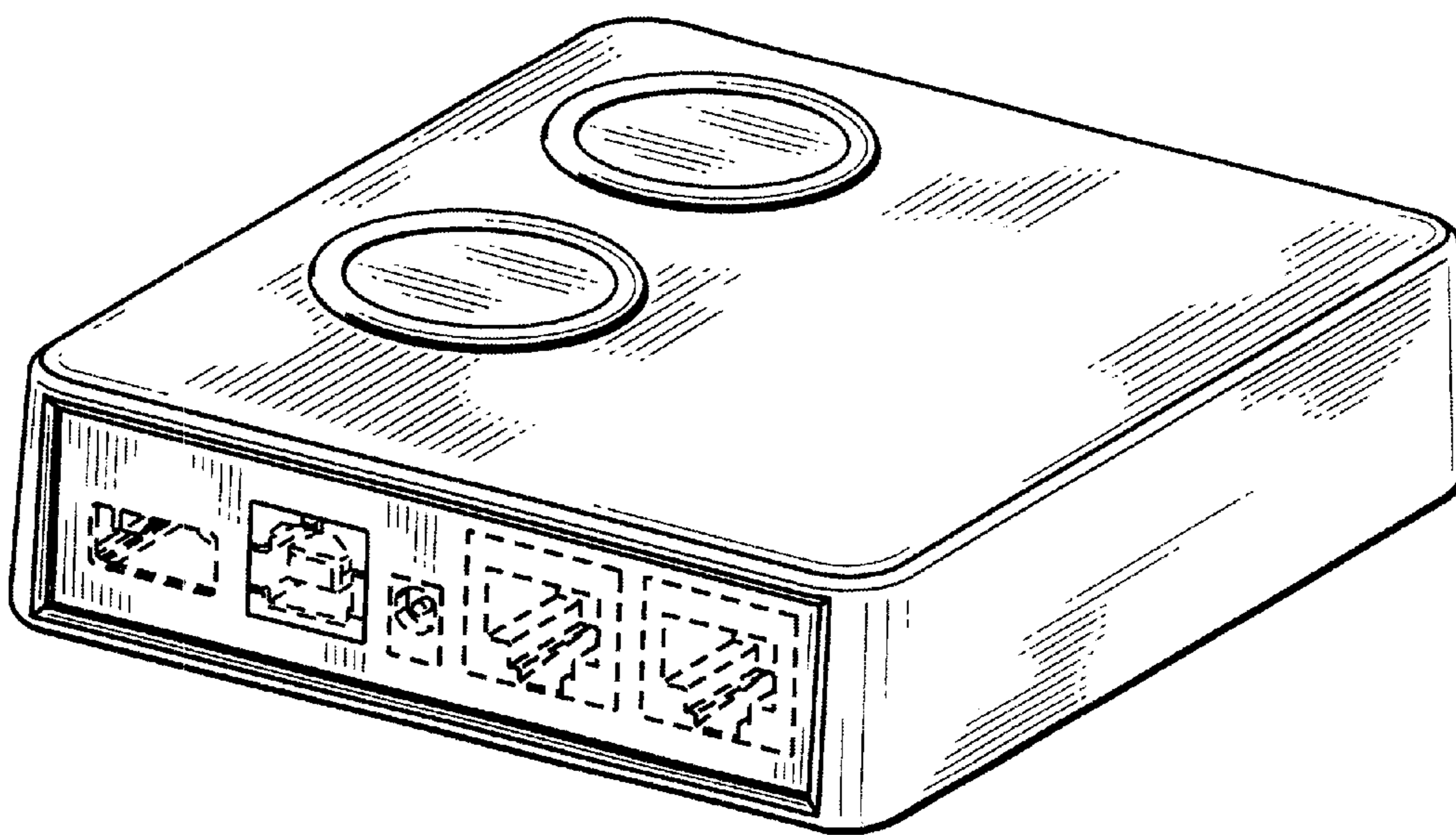


FIG. 2

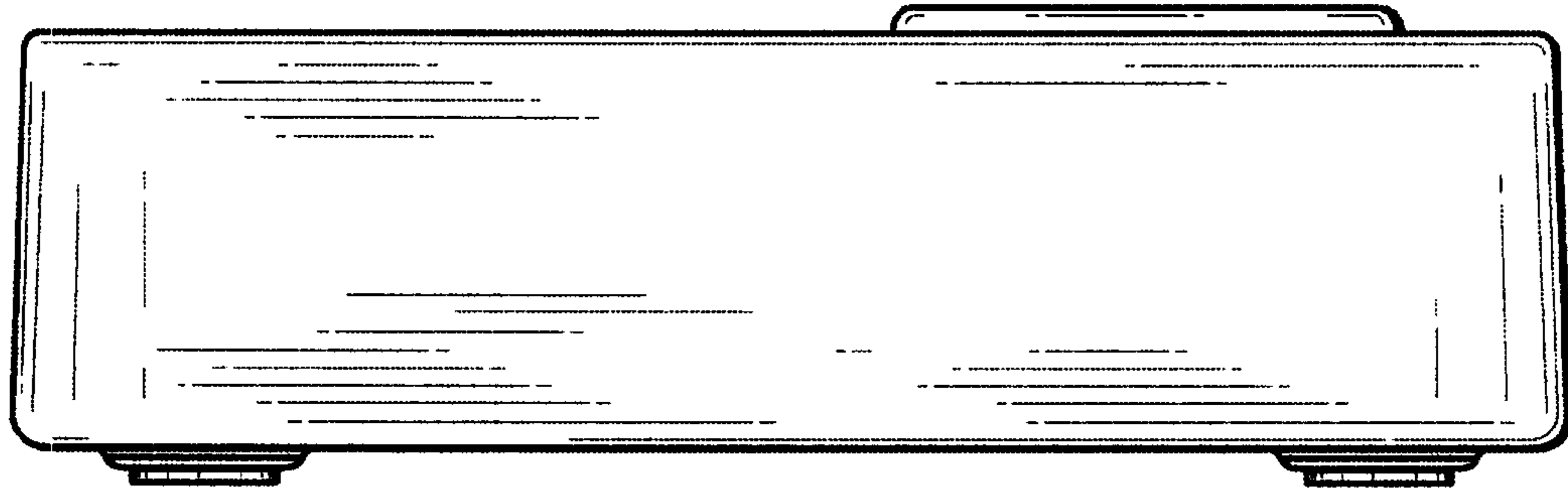


FIG. 3

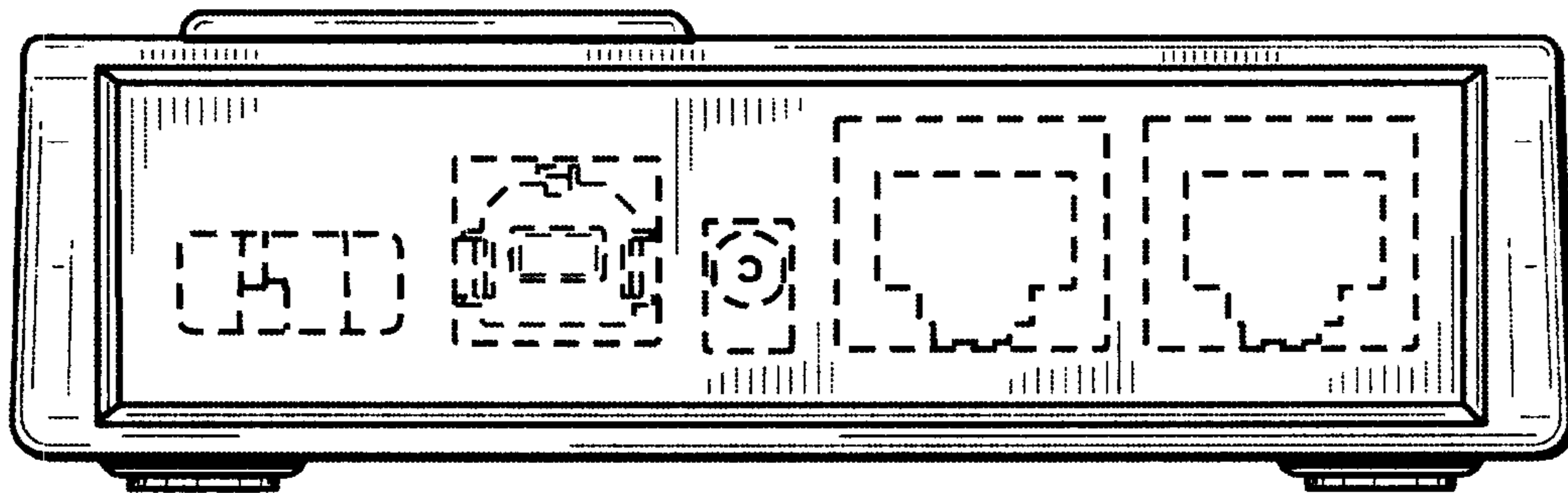


FIG. 4

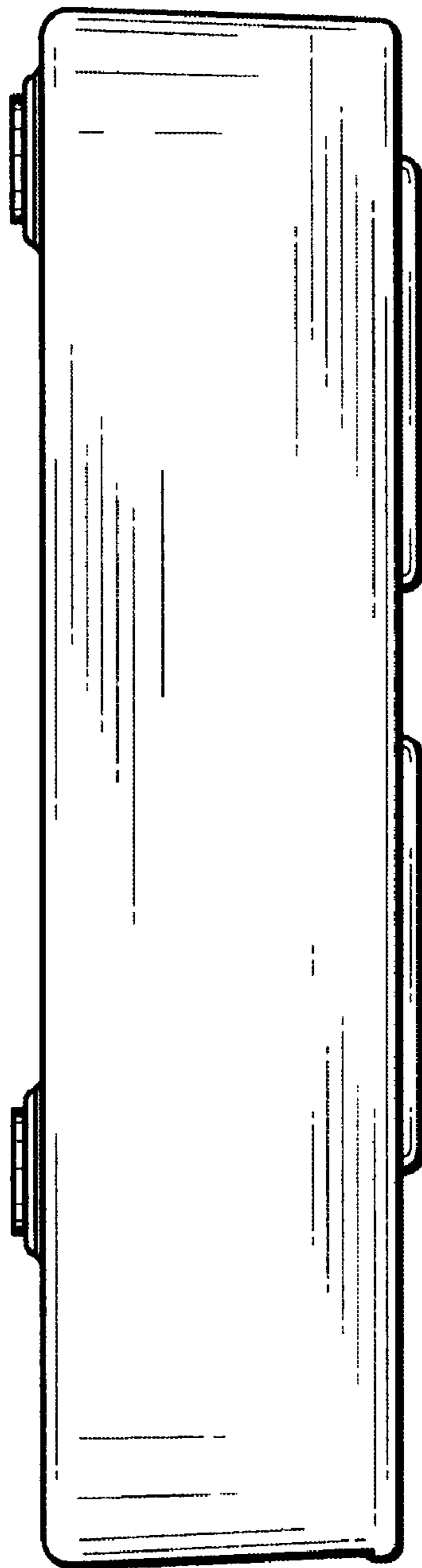


FIG. 5

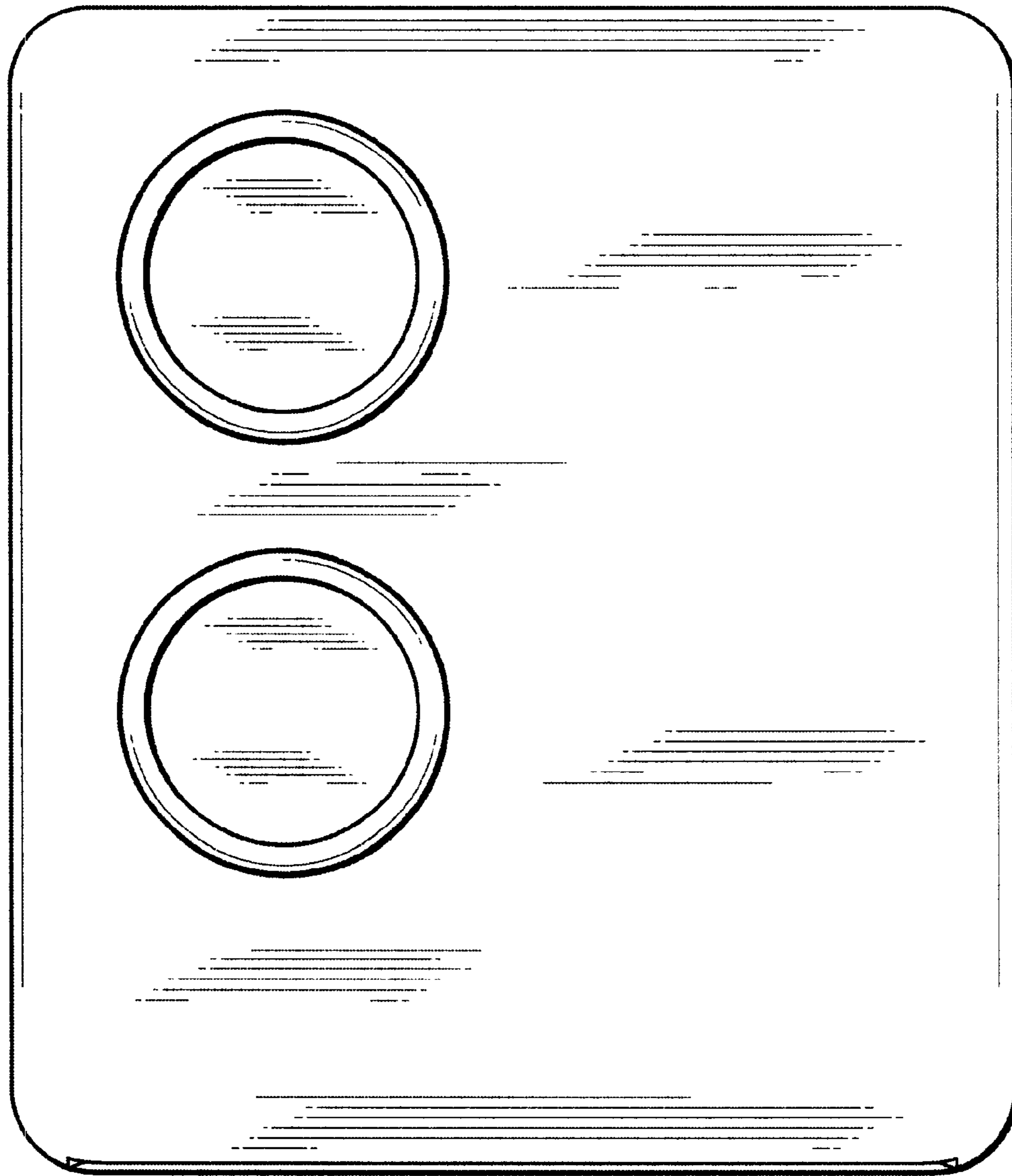


FIG. 6

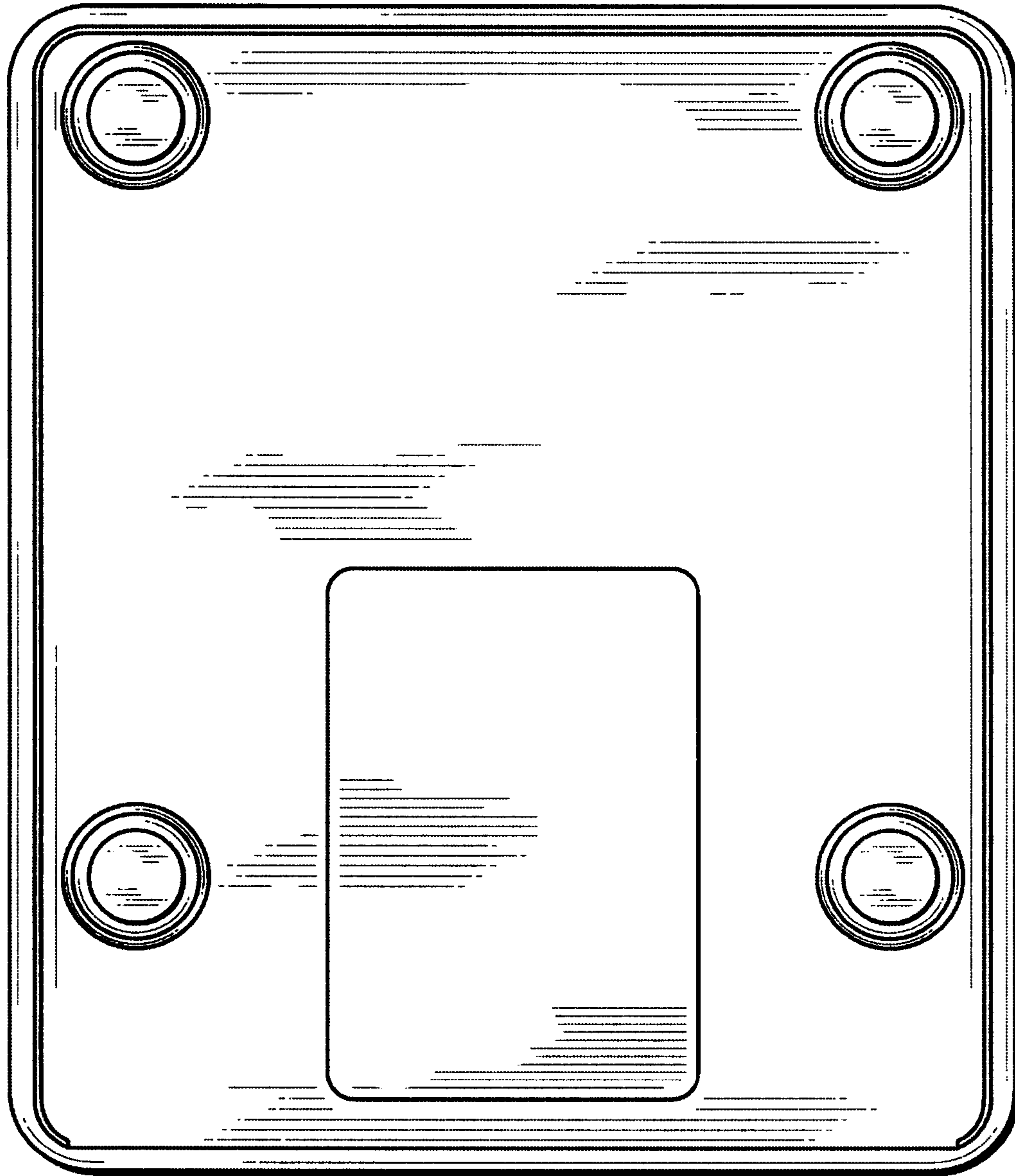


FIG. 7