



US00D533845S

(12) **United States Design Patent**
Lay

(10) **Patent No.:** **US D533,845 S**

(45) **Date of Patent:** **** Dec. 19, 2006**

(54) **REMOTE CONTROL UNIT FOR CONTROLLING A VALVE ACTUATOR**

(75) **Inventor:** **Stuart Masefield Lay**, Chippenham (GB)

(73) **Assignee:** **Rotork Controls Limited** (GB)

(**) **Term:** **14 Years**

(21) **Appl. No.:** **29/239,860**

(22) **Filed:** **Oct. 5, 2005**

(30) **Foreign Application Priority Data**

Apr. 21, 2005 (EM) 000333232-0001

(51) **LOC (8) Cl.** **13-03**

(52) **U.S. Cl.** **D13/168**

(58) **Field of Classification Search** D13/168;
D10/104, 106; D14/218, 247; 340/825.22,
340/825.24, 825.25, 825.31, 825.36, 825.69,
340/825.71, 825.72; 341/20, 22, 23, 34, 173,
341/174, 176; 345/156, 168, 169; 348/734;
455/92, 95, 100, 128, 151.1-151.4, 325-355;
463/39; 700/17, 19, 20, 281

See application file for complete search history.

(56) **References Cited**

U.S. PATENT DOCUMENTS

D346,152 S * 4/1994 Zaugg D13/168

D366,876 S * 2/1996 Labohm D14/218
D502,929 S * 3/2005 Copeland et al. D13/168
D506,982 S * 7/2005 Murtaugh et al. D13/168
D512,027 S * 11/2005 Sarasjoki et al. D13/168
2005/0243549 A1 * 11/2005 Ruston 362/233

* cited by examiner

Primary Examiner—Selina Sikder

(74) *Attorney, Agent, or Firm*—Hayes Soloway P.C.

(57) **CLAIM**

The ornamental design for a remote control unit for controlling a valve actuator, as shown and described.

DESCRIPTION

FIG. 1 is top plan view of a remote control unit for controlling a valve actuator in accordance with my invention;

FIG. 2 is a left side elevation view thereof, the right side being a mirror image thereof;

FIG. 3 is a bottom end view;

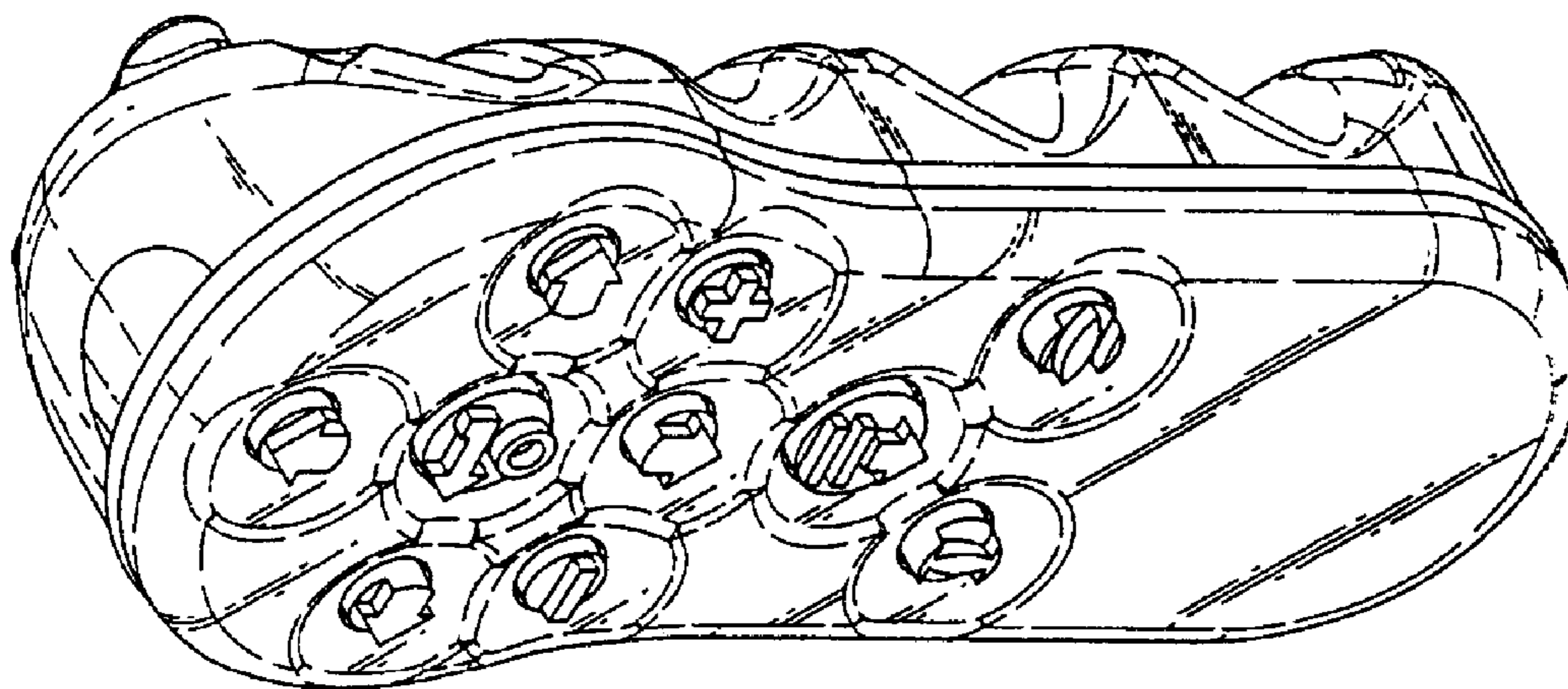
FIG. 4 is a perspective view from the bottom thereof;

FIG. 5 is a perspective view from the top thereof;

FIG. 6 is a top end view thereof; and,

FIG. 7 is a bottom end view thereof.

1 Claim, 2 Drawing Sheets



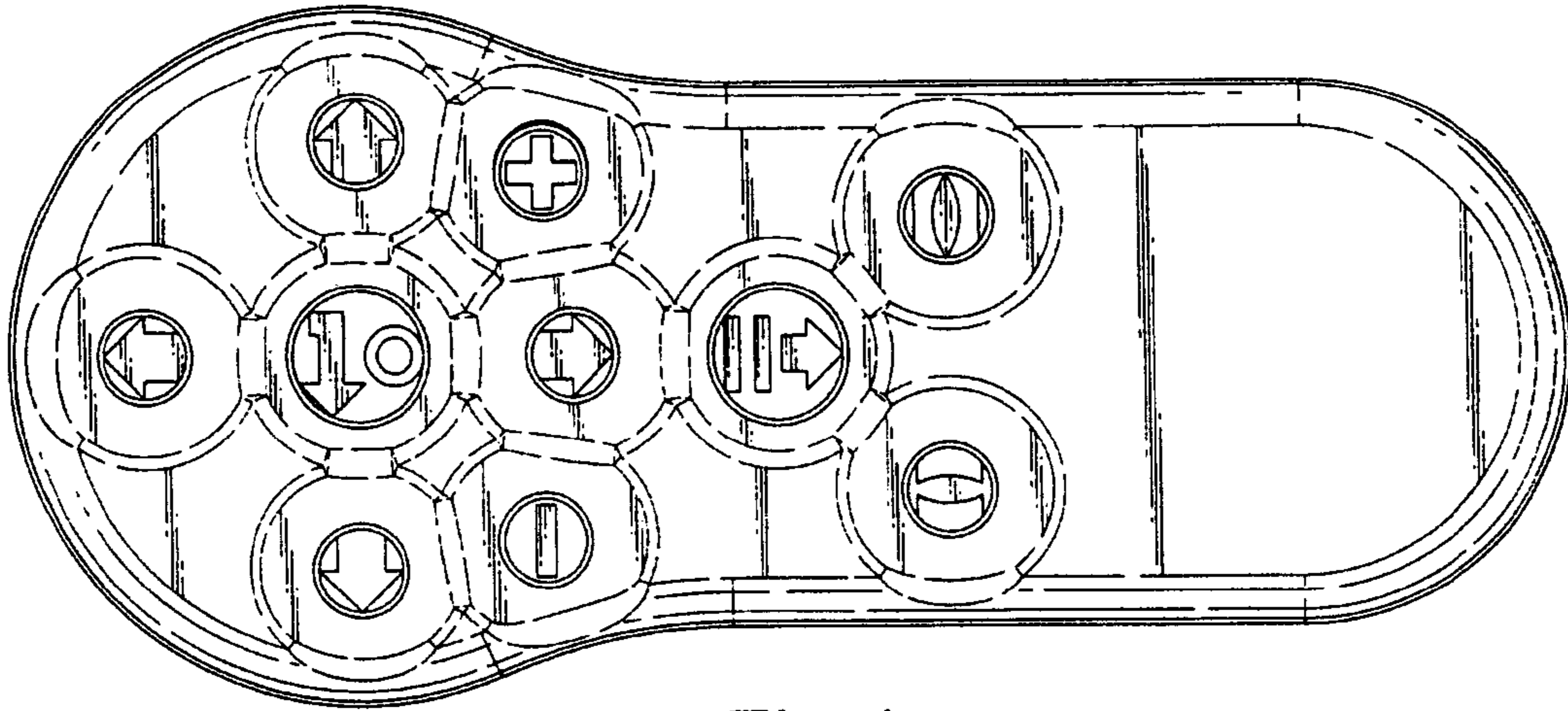


Fig.1

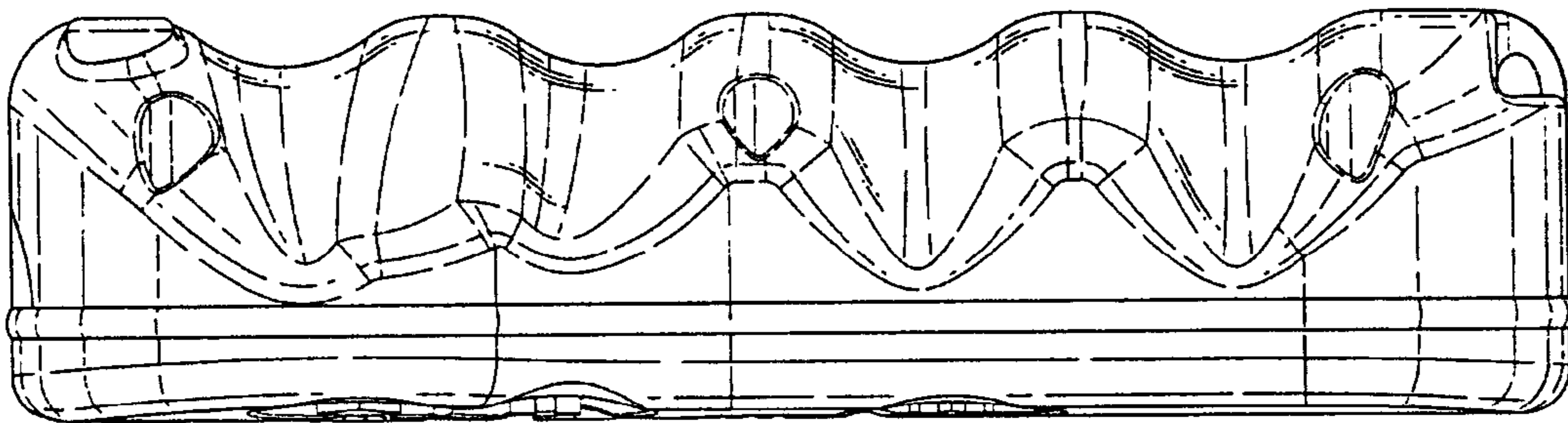


Fig.2

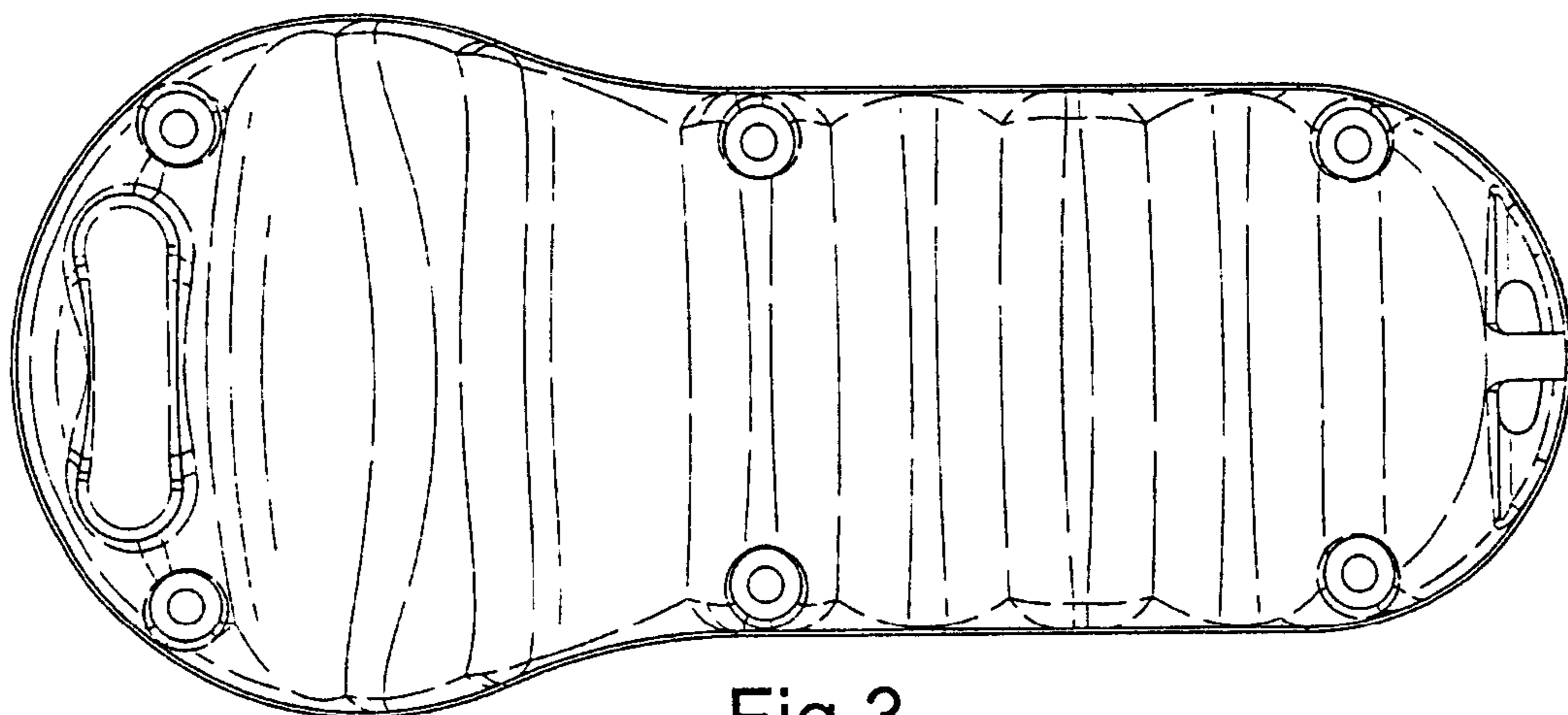


Fig.3

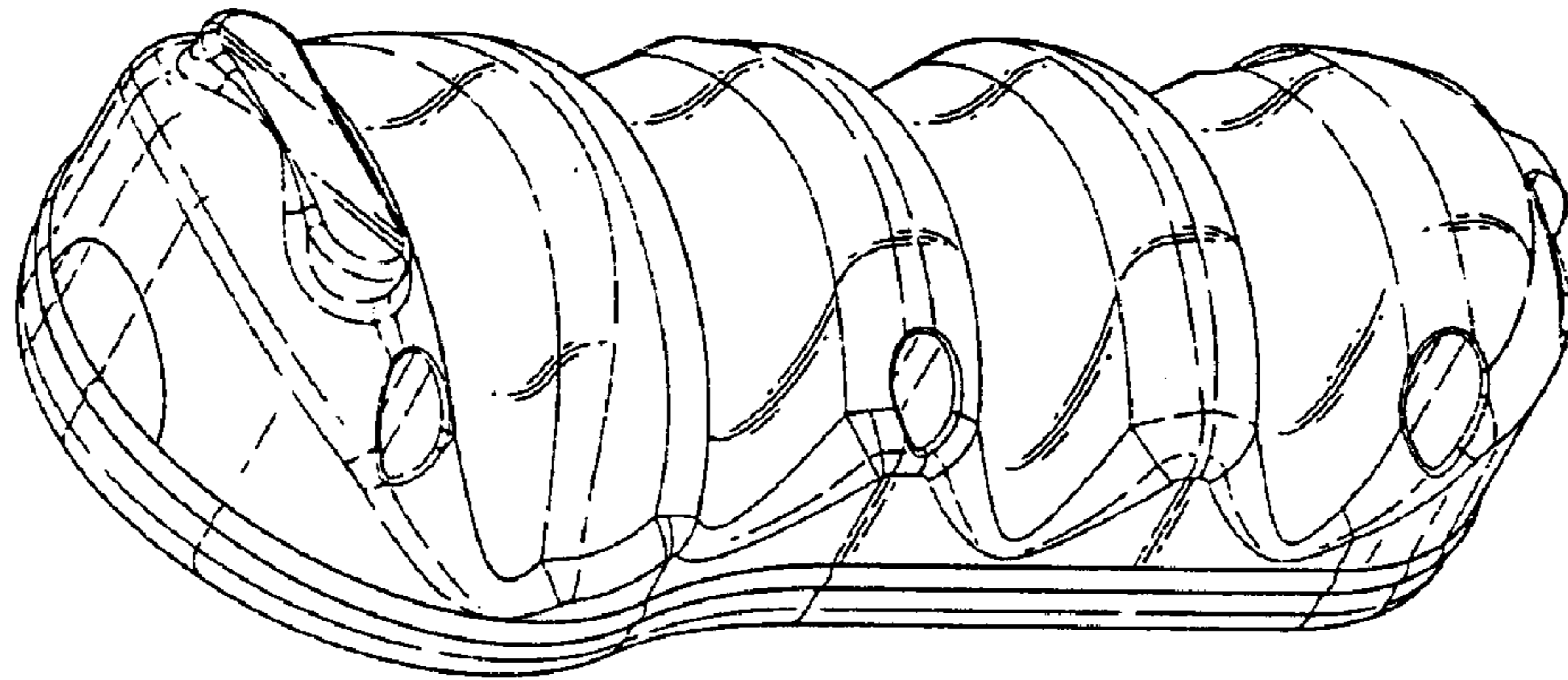


Fig.4

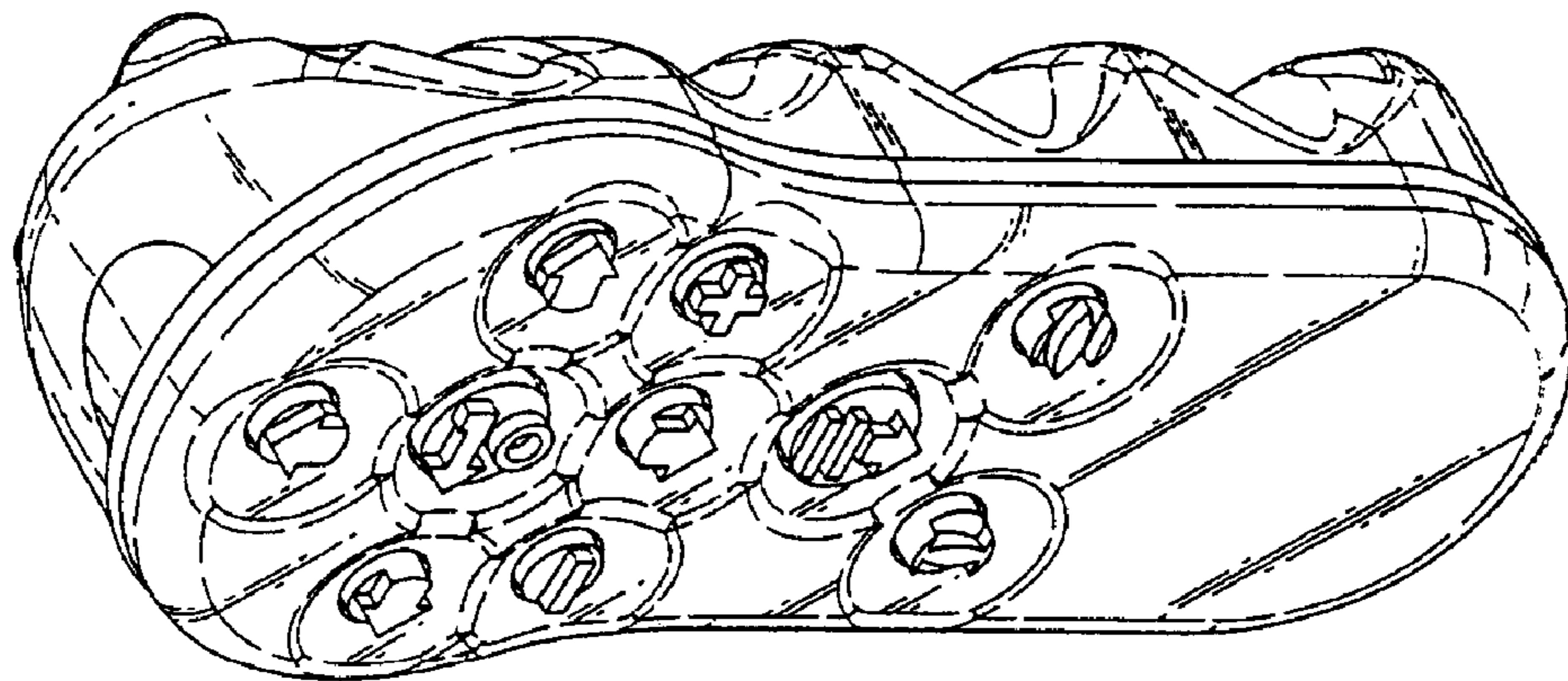


Fig.5

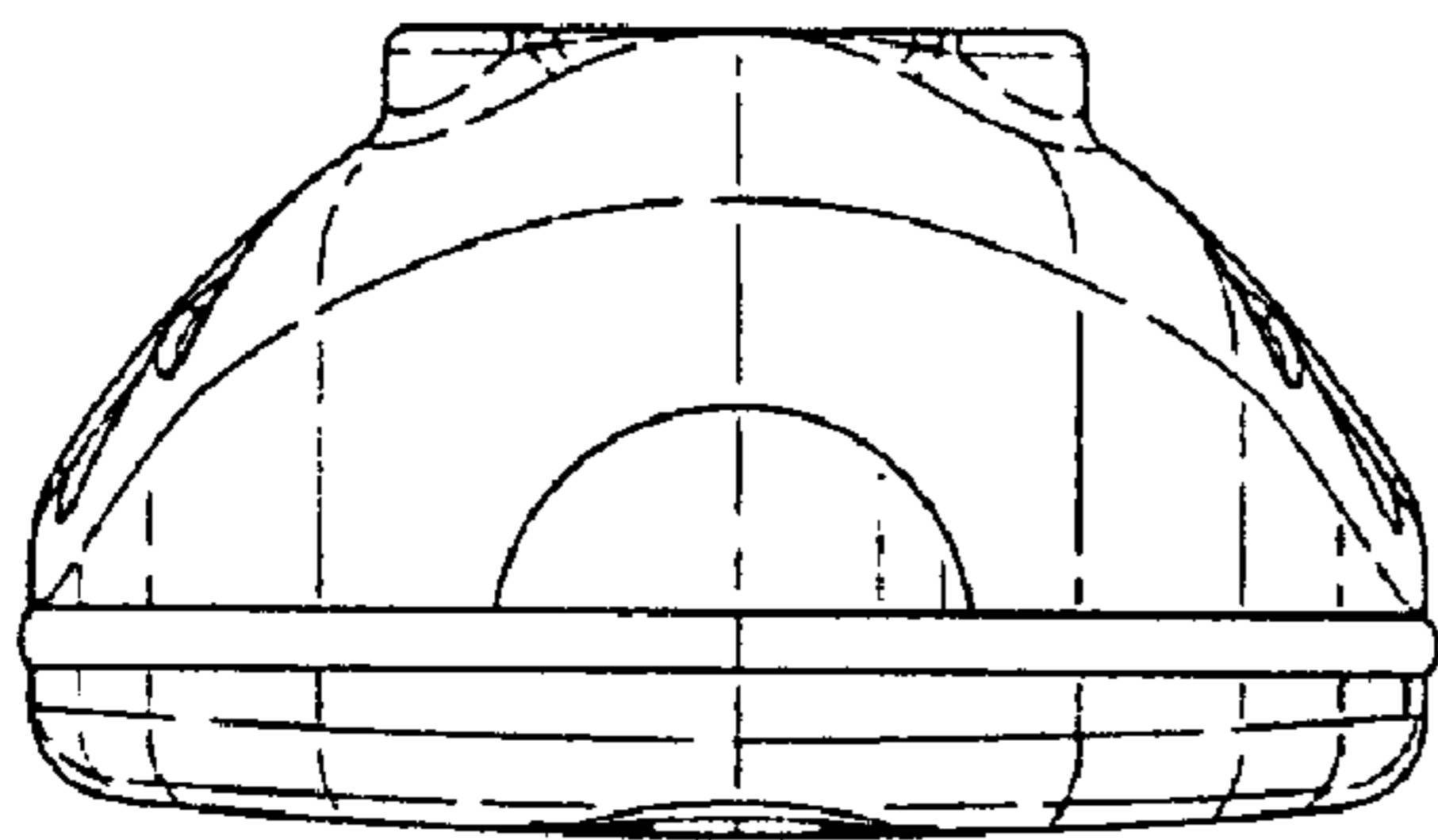


Fig.6

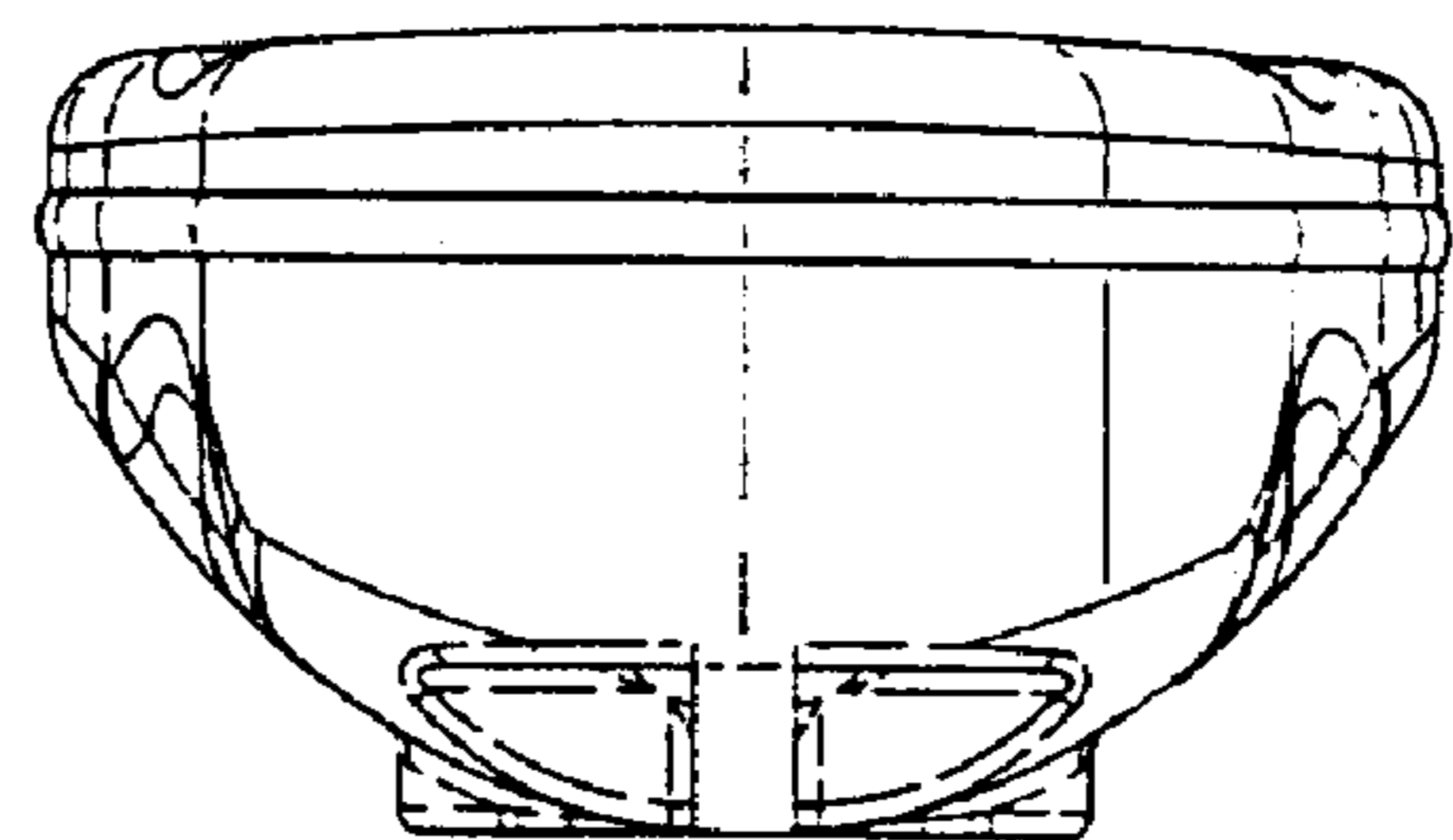


Fig.7