



US00D533843S

(12) **United States Design Patent** (10) **Patent No.:** **US D533,843 S**
Larson et al. (45) **Date of Patent:** **** Dec. 19, 2006**

(54) **DIMMER SWITCH**
(75) Inventors: **Paul A. Larson**, Macungie, PA (US);
Joel S. Spira, Coopersburg, PA (US)
(73) Assignee: **Lutron Electronics Co., Inc.**,
Coopersburg, PA (US)
(**) Term: **14 Years**
(21) Appl. No.: **29/218,712**
(22) Filed: **Dec. 7, 2004**

D421,246 S 2/2000 Mayo et al. D13/162
D422,567 S 4/2000 Mayo et al. D13/162
D436,930 S 1/2001 Butler D13/162
D437,584 S * 2/2001 Radosavljevic et al. ... D13/170
D437,834 S 2/2001 Mayo et al. D13/162
D442,558 S 5/2001 Mayo et al. D13/162
D453,742 S 2/2002 Butler et al. D13/164
D456,783 S 5/2002 Mayo et al. D13/164
D457,863 S * 5/2002 Jacoby D13/170
D461,782 S 8/2002 Butler et al. D13/171
D510,074 S * 9/2005 Larson et al. D13/164

Related U.S. Application Data

(63) Continuation-in-part of application No. 29/214,402, filed on Oct. 1, 2004, which is a continuation-in-part of application No. 29/207,371, filed on Jun. 10, 2004.
(51) **LOC (8) Cl.** **13-03**
(52) **U.S. Cl.** **D13/162**
(58) **Field of Classification Search** D13/162,
D13/164, 169, 170, 171; D10/108, 116, 118;
D8/353; 200/5 A, 293, 296, 297, 329, 333,
200/335, 339, 341, 520, 530, 537, 552; 220/241;
307/125, 139; 315/291-296
See application file for complete search history.

References Cited

U.S. PATENT DOCUMENTS

D227,577 S 7/1973 Mayo D26/13 B
D249,141 S * 8/1978 Mayo D13/125
D254,001 S 1/1980 Mayo D13/32
4,196,406 A * 4/1980 Salem 333/141
D311,485 S 10/1990 Jacoby et al. D8/353
D320,786 S 10/1991 Darnell et al. D13/171
D325,567 S * 4/1992 Jacoby et al. D13/170
D329,635 S * 9/1992 Tsai D13/110
D380,451 S * 7/1997 Krajci et al. D13/170
D384,038 S * 9/1997 Ko D13/162
D405,061 S * 2/1999 Thomas D13/170
D409,579 S * 5/1999 Thomas D13/170
D412,491 S 8/1999 Mayo et al. D13/164

OTHER PUBLICATIONS

Technical Sheet for “MEM Tungsten Grid Dimmer Push On/Off Slide to Dim”, by Eaton Electric Limited, Oldham, United Kingdom, 1 page, dated Apr. 28, 2003.
Instruction Sheet for “MultiDim Modular Panels”, Doc. No. 7860032, 2 pages, by Philips, dated Feb. 11, 2001.
Product Literature for “MultiDim Control System”, 2 pages numbered 1/14 and 4/14, by Philips, dated Jun. 2004.

* cited by examiner

Primary Examiner—Selina Sikder

(74) *Attorney, Agent, or Firm*—Drinker Biddle & Reath LLP

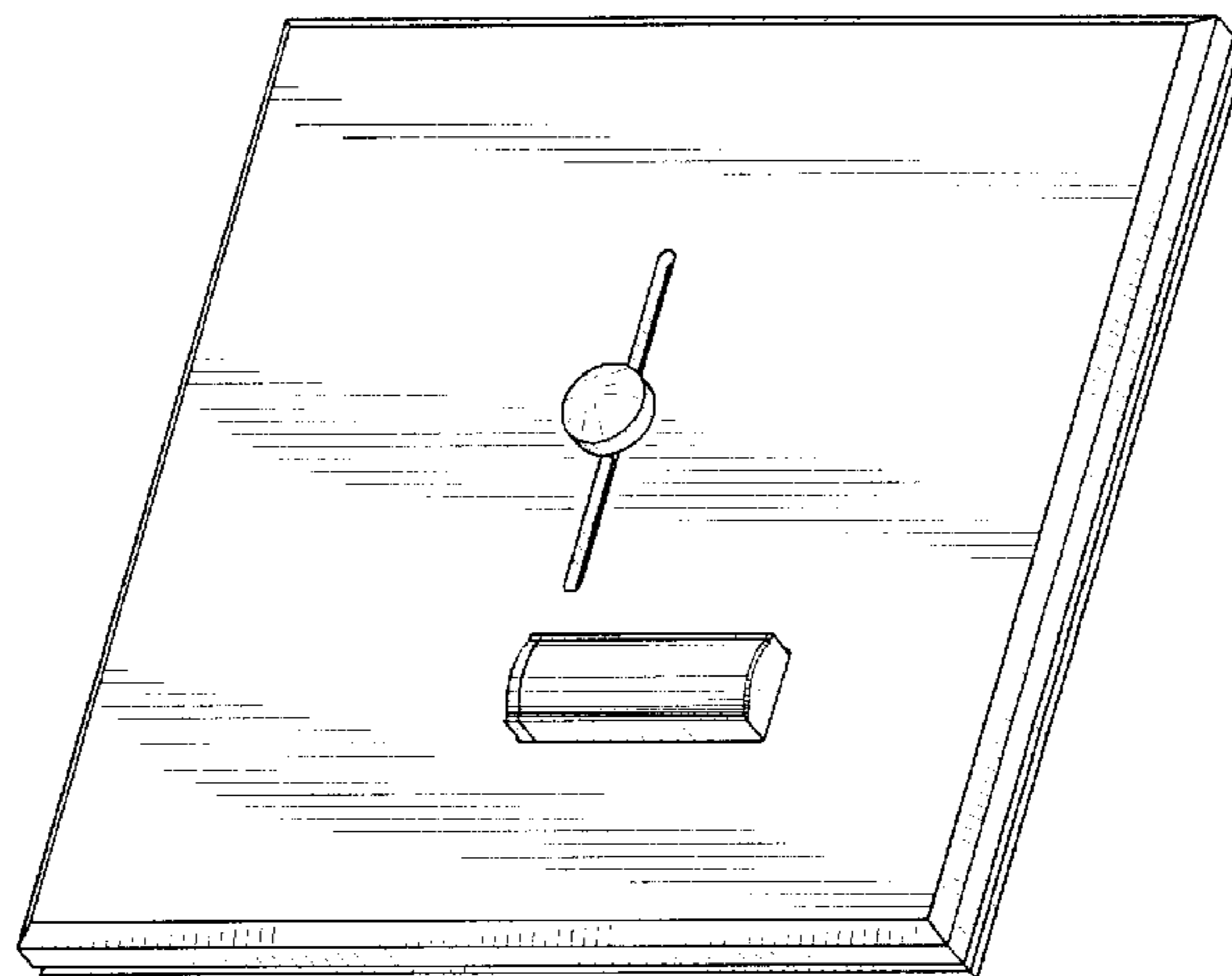
(57) **CLAIM**

The ornamental design for a dimmer switch, as shown and described.

DESCRIPTION

FIG. 1 is a perspective view of a dimmer switch showing our new design.
FIG. 2 is a front view thereof.
FIG. 3 is a top view thereof.
FIG. 4 is a bottom view thereof.
FIG. 5 is a right side view thereof; and,
FIG. 6 is a left side view thereof.
The portions of the drawings appearing in broken line are for environment only and do not form a part of the design.

1 Claim, 4 Drawing Sheets



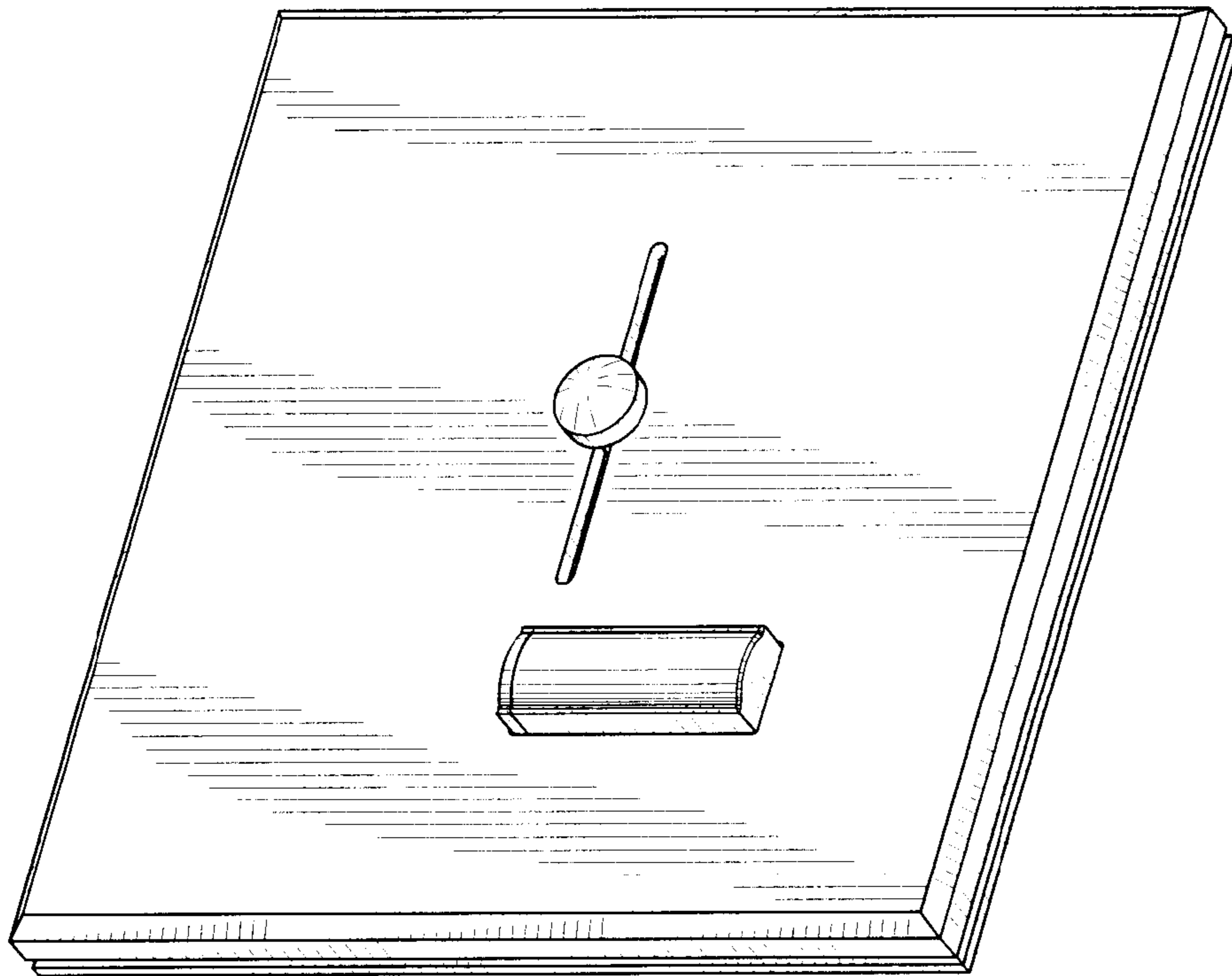


FIG. 1

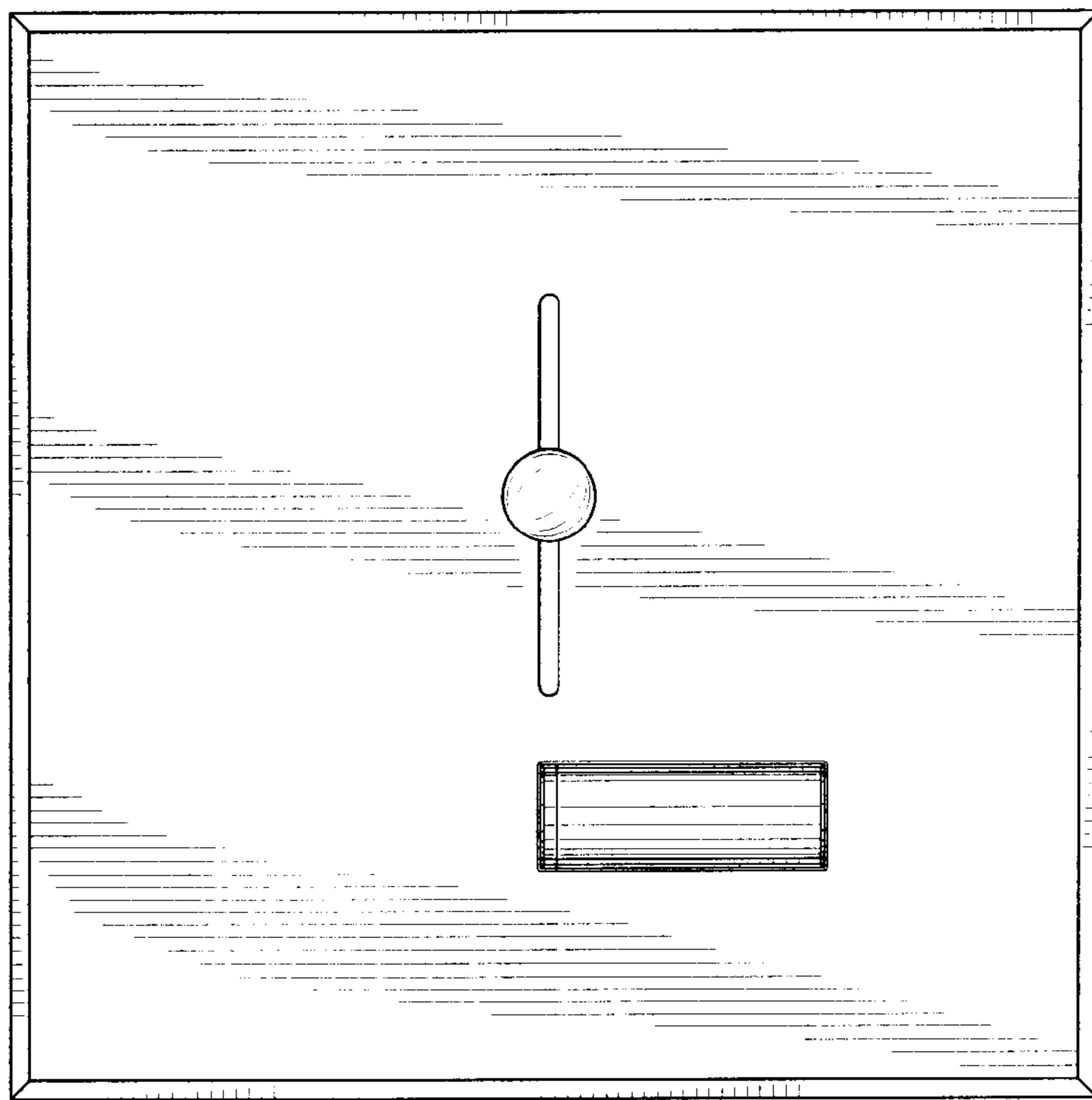


FIG. 2

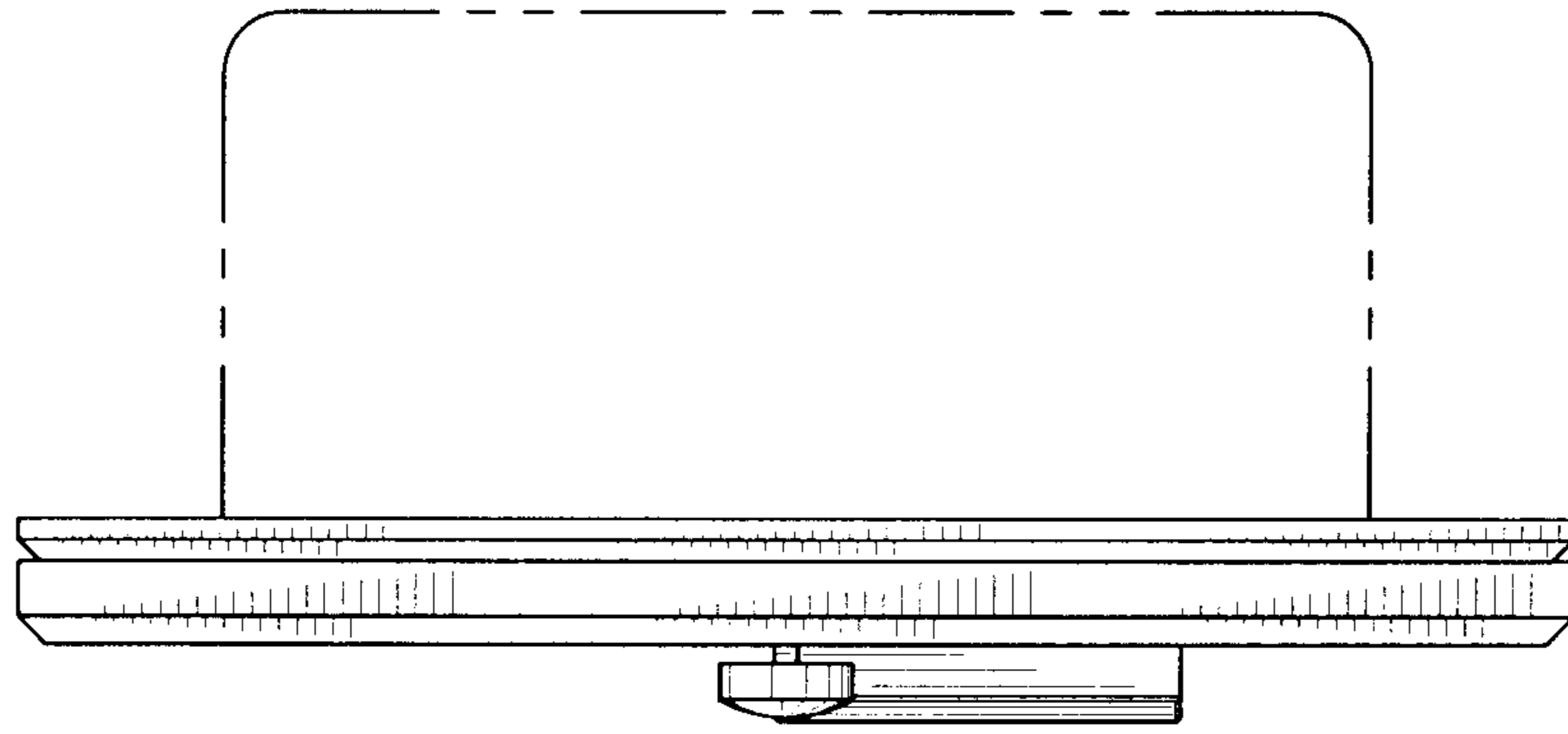


FIG. 3

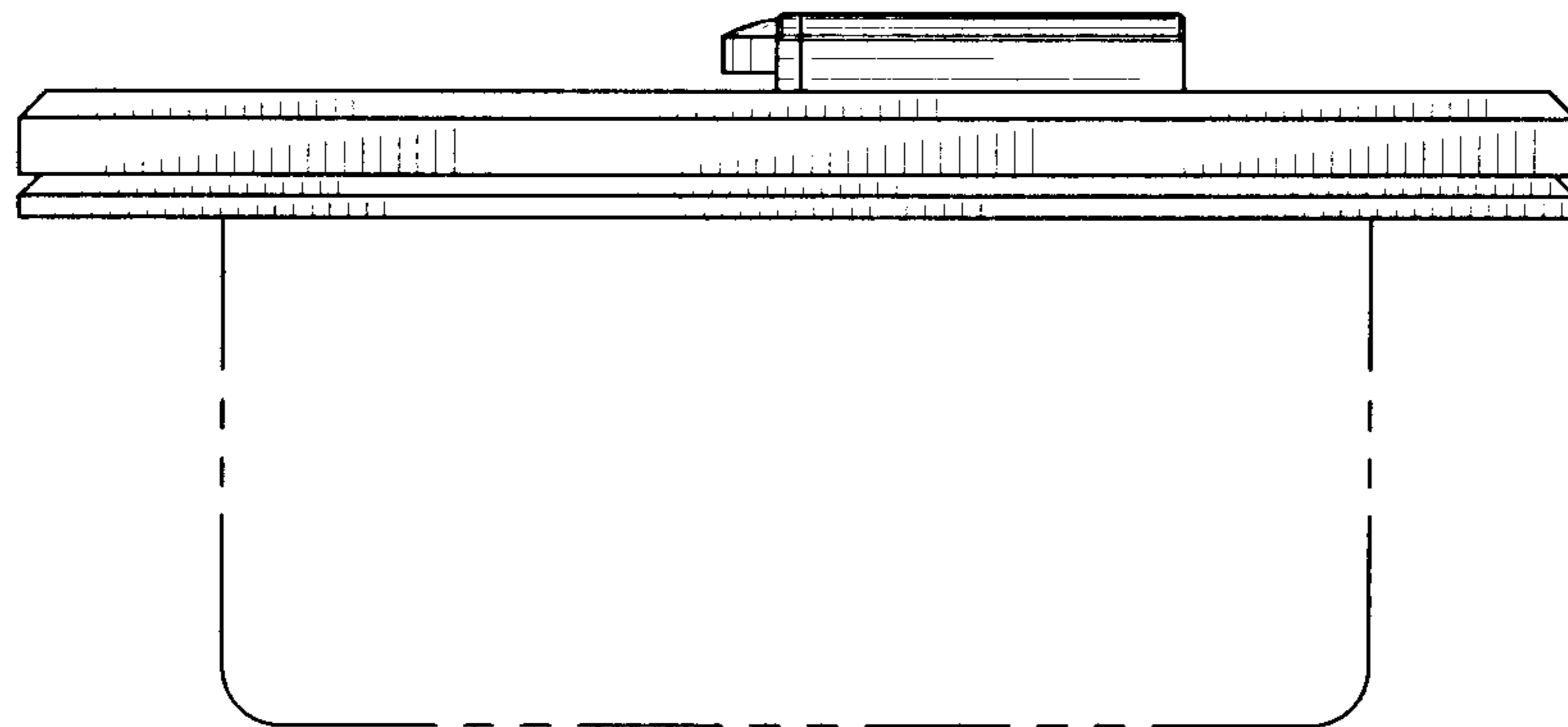


FIG. 4

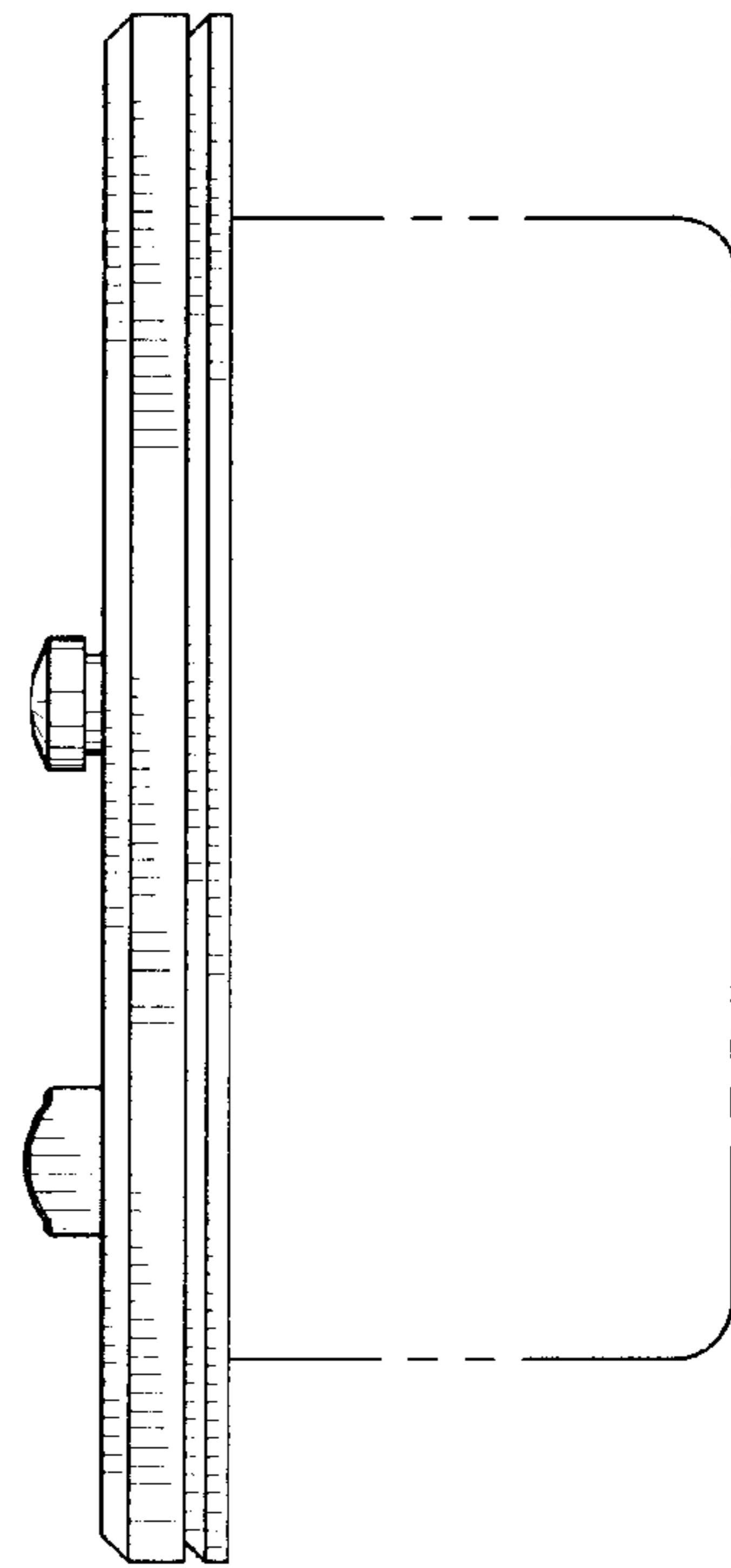


FIG. 5

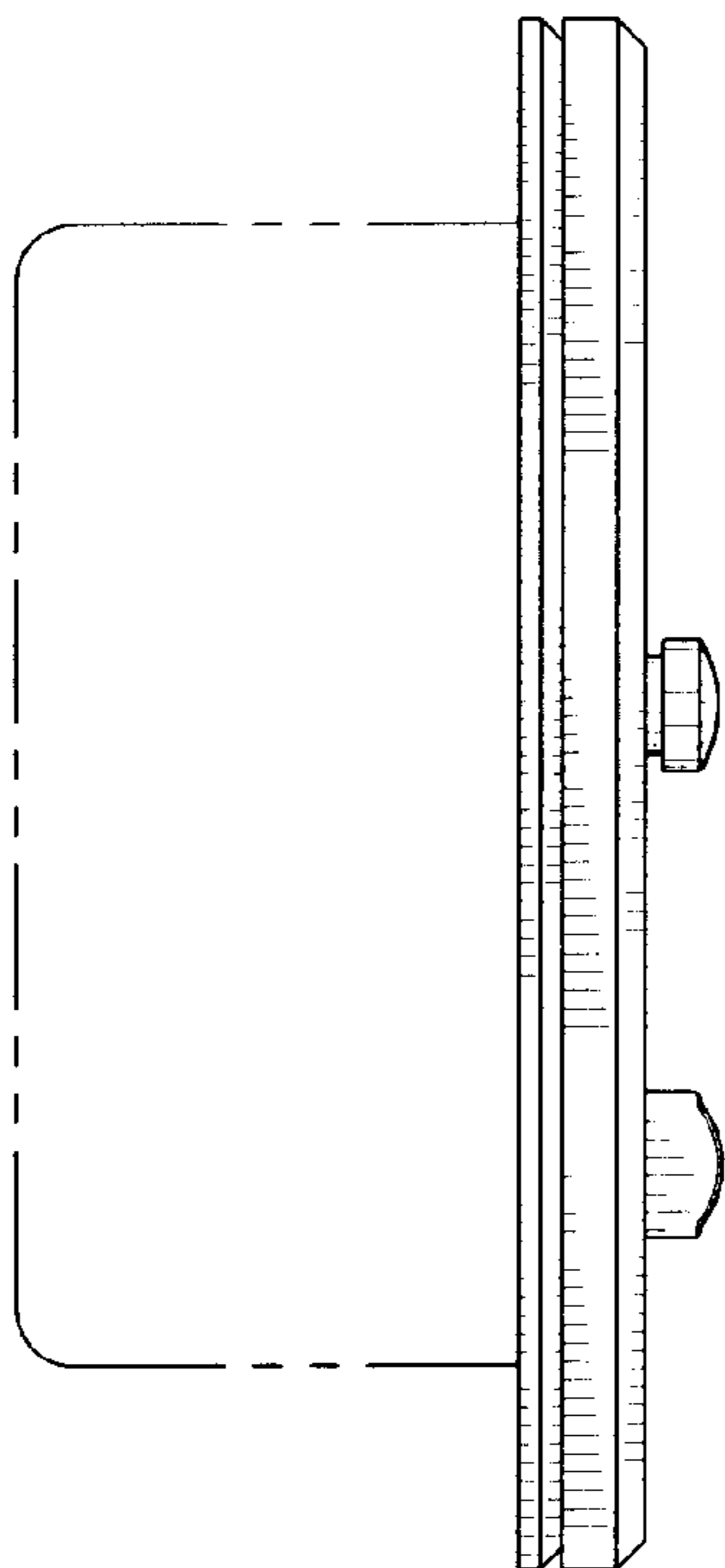


FIG. 6