

US00D533842S

(12) **United States Design Patent**
Tohyama et al.

(10) **Patent No.:** **US D533,842 S**

(45) **Date of Patent:** **** Dec. 19, 2006**

(54) **LIGHTED SWITCH**

(75) Inventors: **Yasunori Tohyama**, Fujiyoshida (JP);
Masashi Watanabe, Fujiyoshida (JP)

(73) Assignee: **Citizen Electronics Co., Ltd.**,
Yamanashi (JP)

(**) Term: **14 Years**

(21) Appl. No.: **29/226,278**

(22) Filed: **Mar. 28, 2005**

(30) **Foreign Application Priority Data**

Sep. 29, 2004 (JP) 2004-029500

(51) **LOC (8) Cl.** **13-03**

(52) **U.S. Cl.** **D13/158; D13/165**

(58) **Field of Classification Search** D13/158,
D13/165, 171, 174; 200/1 B, 5 A, 6 R, 293-297,
200/314, 315, 341, 344, 406, 513, 520, 523,
200/530

See application file for complete search history.

(56) **References Cited**

U.S. PATENT DOCUMENTS

- D309,447 S * 7/1990 Bandari D13/158
- 5,072,085 A * 12/1991 Shinohara et al. 200/314
- 5,296,663 A * 3/1994 Borchardt et al. 200/295
- 6,747,226 B1 * 6/2004 Watanabe 200/520
- 6,888,075 B1 * 5/2005 Iwakiri 200/5 R
- D514,072 S * 1/2006 Martinez D13/174

2006/0102456 A1 * 5/2006 Kajiwara et al. 200/313

* cited by examiner

Primary Examiner—Selina Sikder

(74) *Attorney, Agent, or Firm*—Browdy and Neimark,
PLLC

(57) **CLAIM**

The ornamental design for the lighted switch, as shown and described.

DESCRIPTION

The lighted switch can be widely used in car equipment, household electrical products, front doors, garages, lockers, and so on, especially suitable for keys and switches on devices or machines used in the outside or in the darkness.

FIG. 1 is a perspective view of a lighted switch in accordance with the present design, as viewed from above;

FIG. 2 is a perspective view thereof as viewed from below;

FIG. 3 is a front elevational view thereof (a rear elevational view would be identical to FIG. 3);

FIG. 4 is a top plan view thereof;

FIG. 5 is a bottom plan view thereof;

FIG. 6 is a right side elevational view thereof (a left side elevational view would be identical to FIG. 6);

FIG. 7 is a sectional elevational view taken along line 7—7 in FIG. 4; and,

FIG. 8 is a sectional elevational view taken along line 8—8 in FIG. 3.

1 Claim, 4 Drawing Sheets

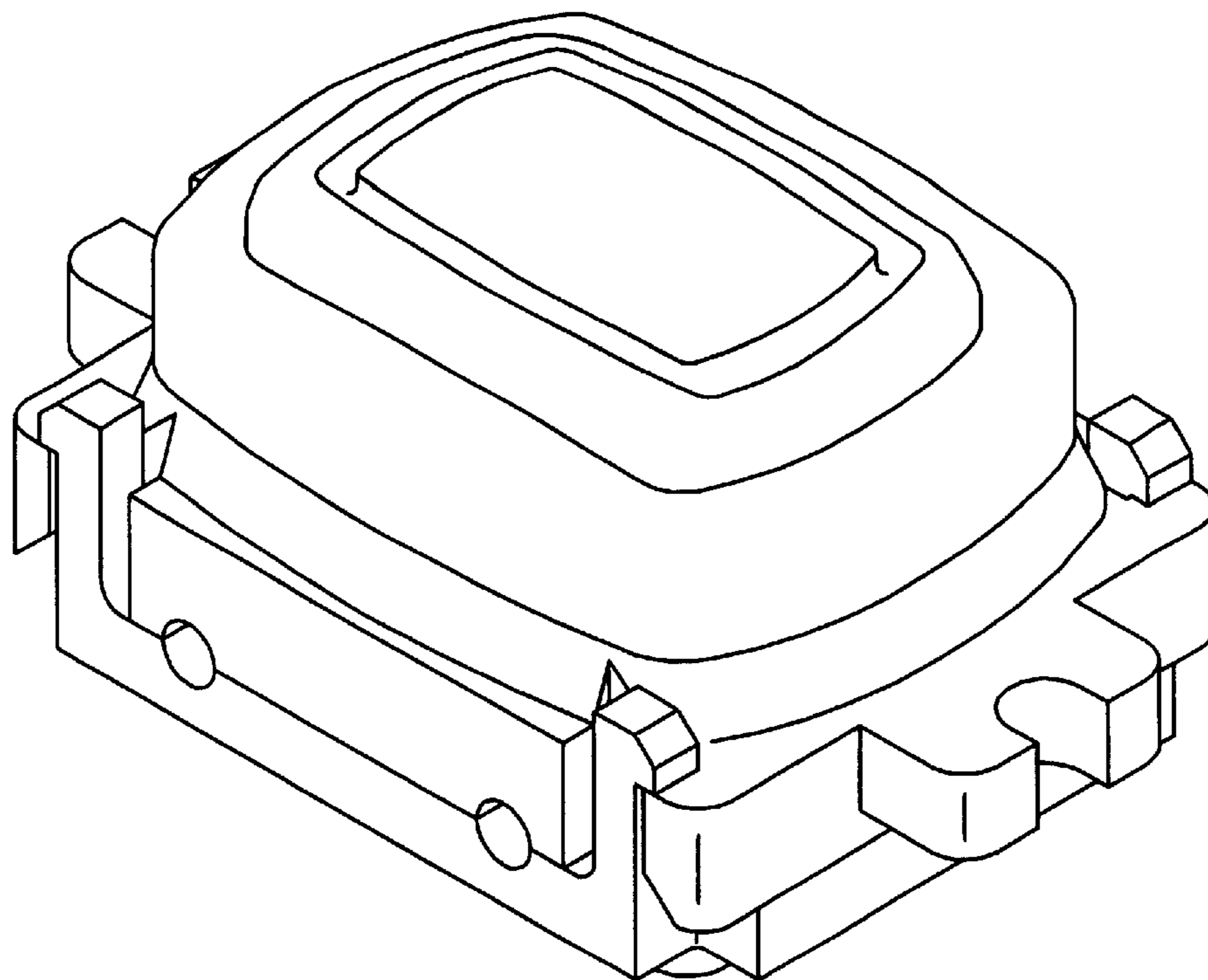


Fig. 1

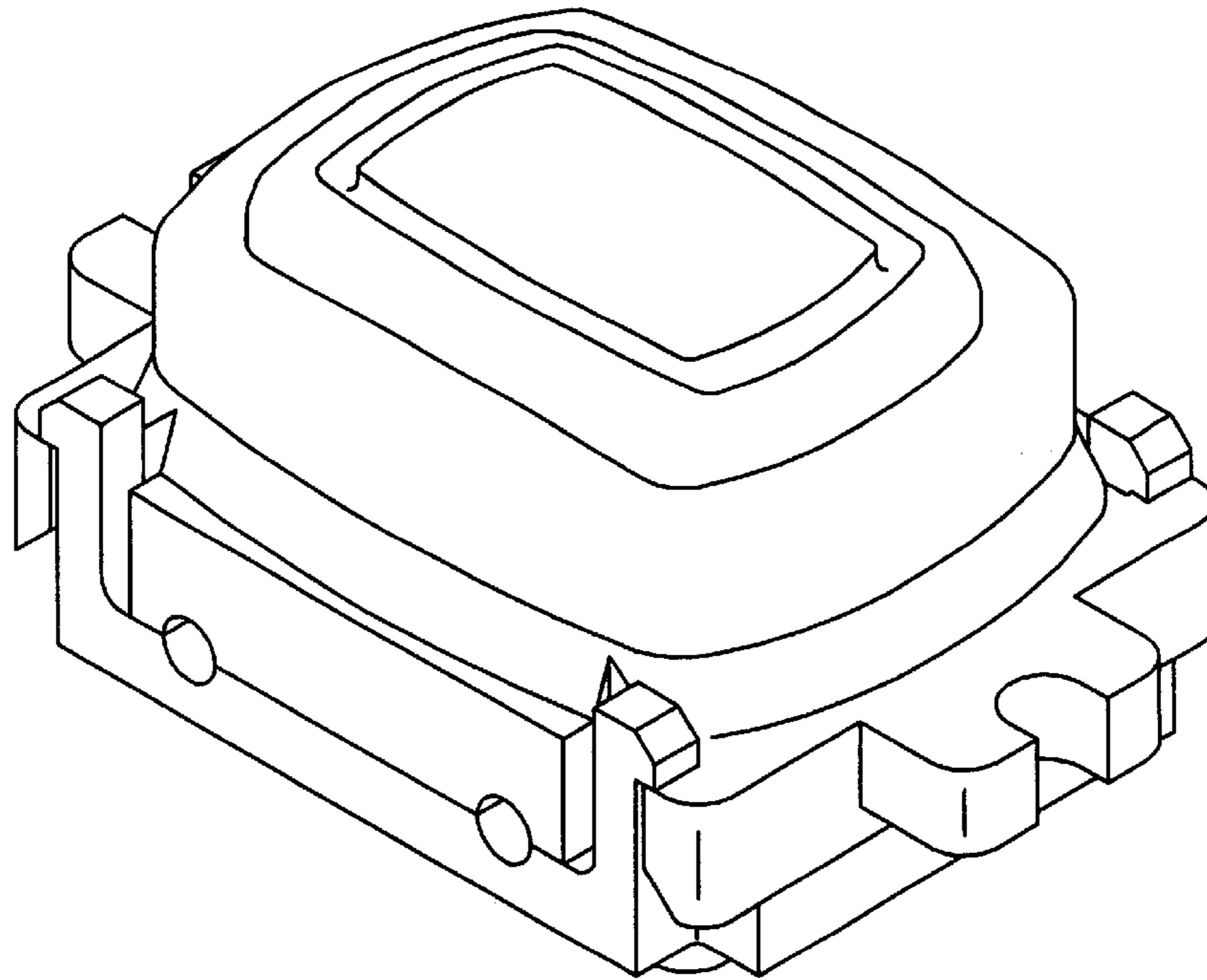


Fig. 2

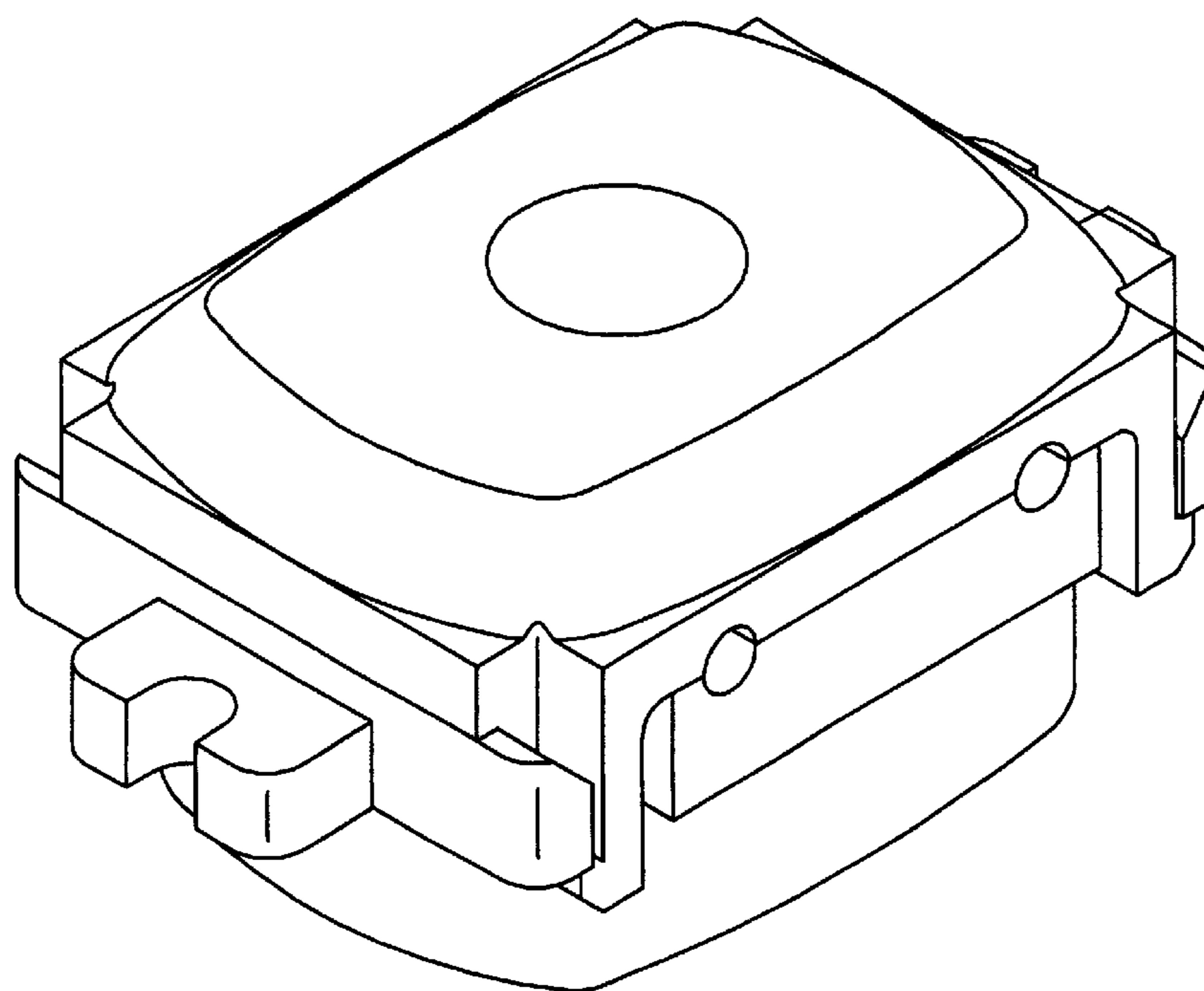


Fig. 3

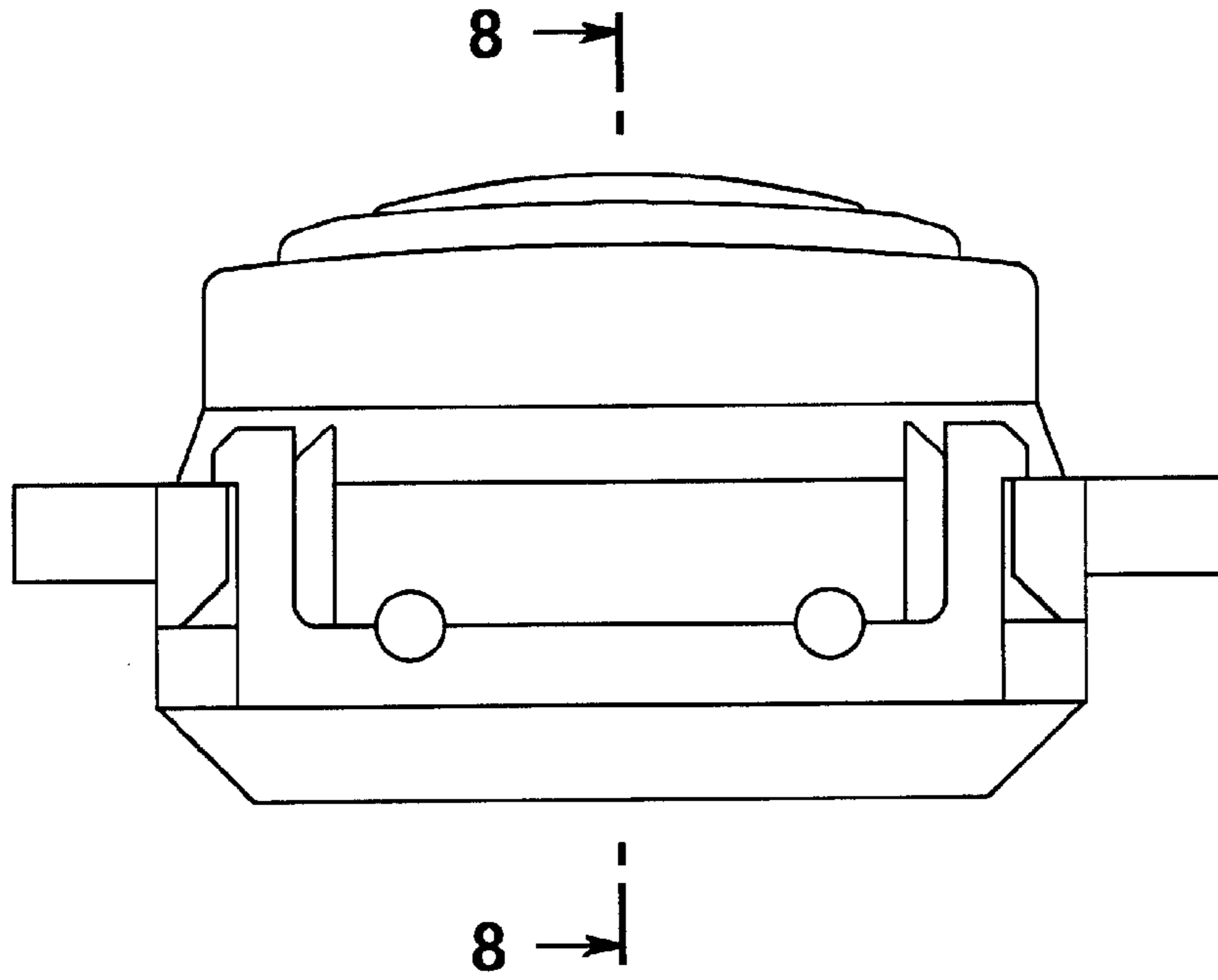


Fig. 4

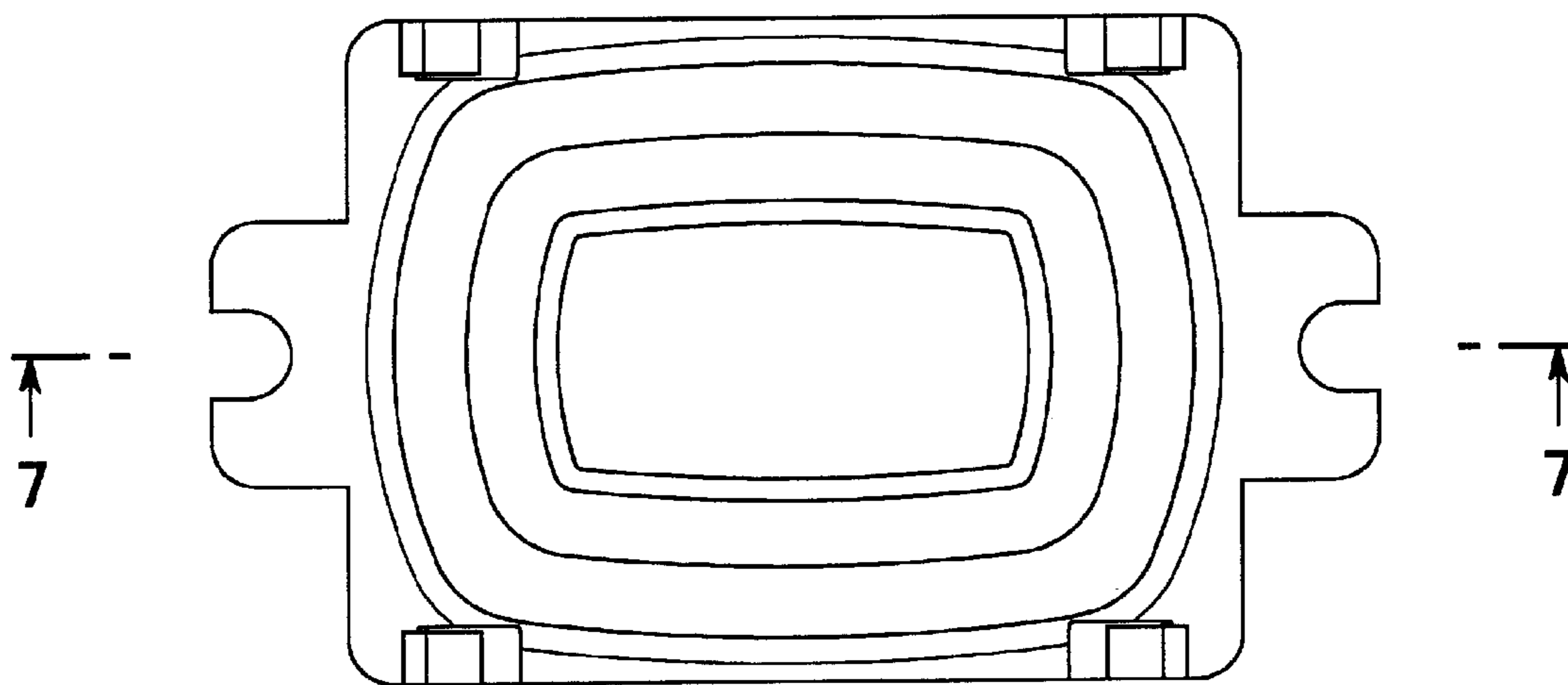


Fig. 5

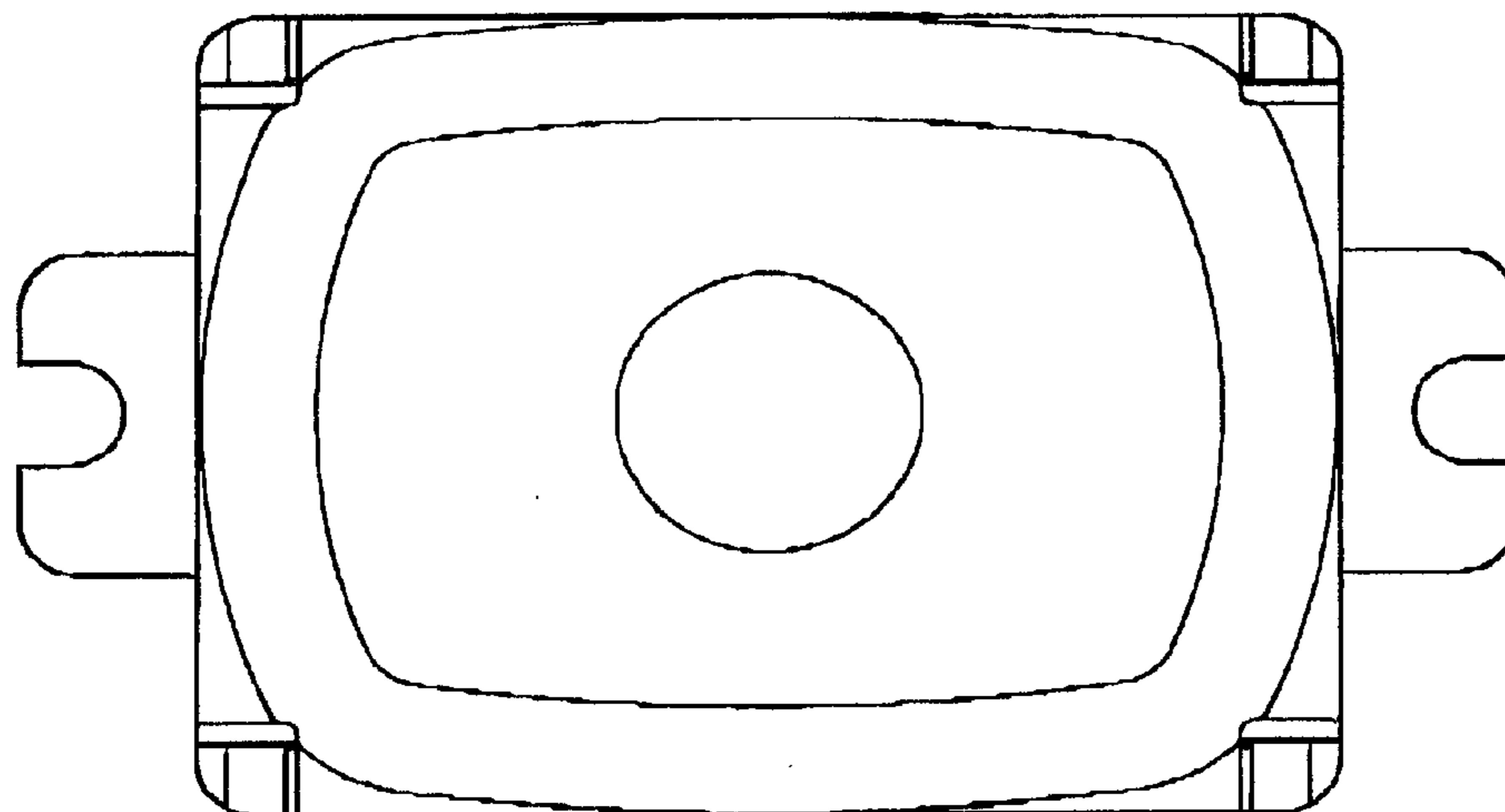


Fig. 6

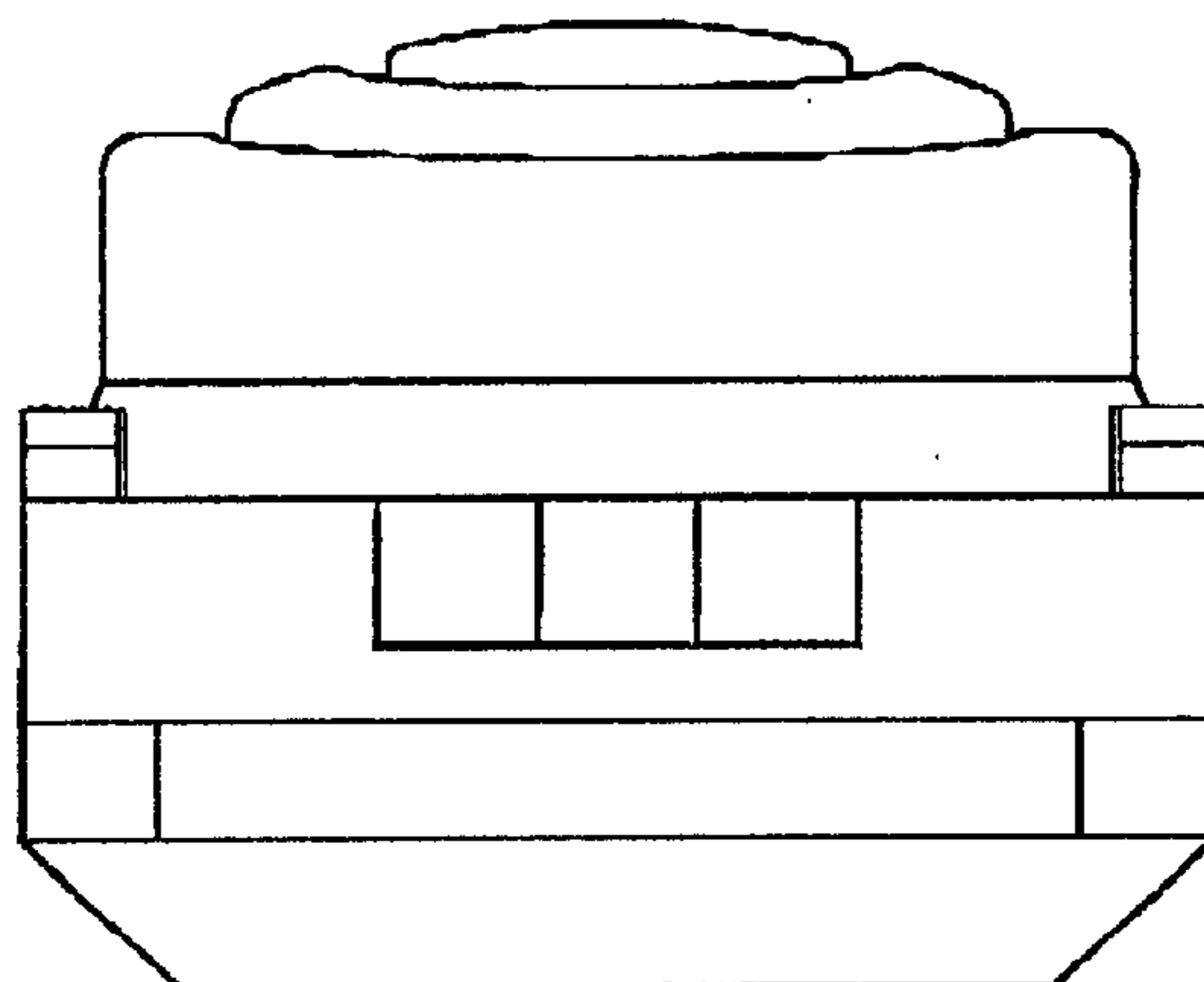


Fig. 7

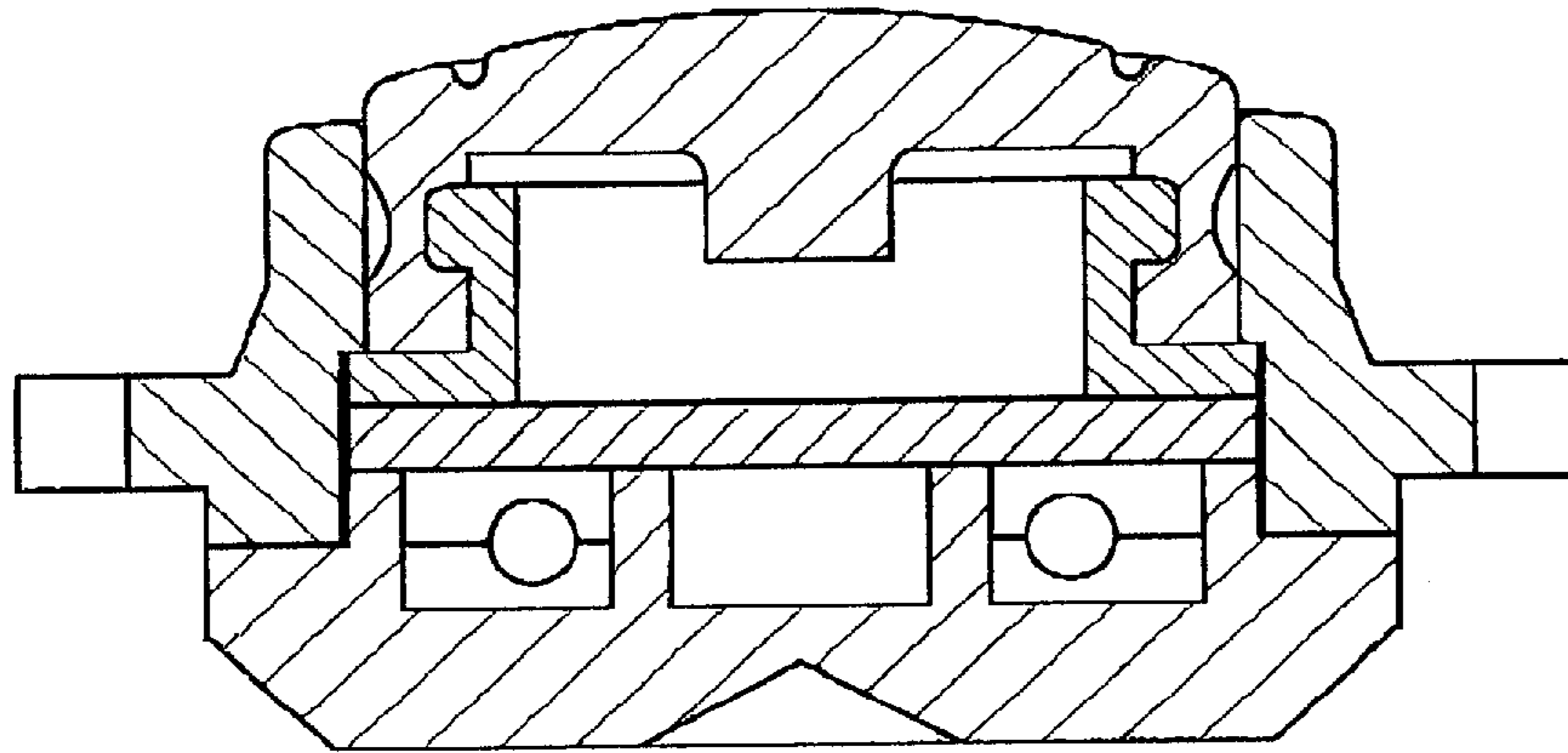


Fig. 8

