



US00D533841S

(12) **United States Design Patent**
Shiao-Bin

(10) **Patent No.:** **US D533,841 S**

(45) **Date of Patent:** **** Dec. 19, 2006**

(54) **CONNECTOR SHELL**

(75) Inventor: **Peng Shiao-Bin**, Taipei (TW)

(73) Assignee: **Advanced-Connectek, Inc.**, Taipei (TW)

(**) Term: **14 Years**

(21) Appl. No.: **29/214,802**

(22) Filed: **Oct. 12, 2004**

(51) **LOC (8) Cl.** **13-03**

(52) **U.S. Cl.** **D13/154**

(58) **Field of Classification Search** D13/146,
D13/147, 156, 173; 439/79, 108, 367, 588,
439/606-610, 637-638, 660

See application file for complete search history.

(56) **References Cited**

U.S. PATENT DOCUMENTS

- D373,192 S * 8/1996 Murphy et al. D24/129
- D396,689 S * 8/1998 Karten et al. D13/147
- D434,383 S * 11/2000 Hu et al. D13/147
- D510,909 S * 10/2005 Tsai D13/147
- 2001/0016453 A1 * 8/2001 Casey et al. 439/607
- 2003/0129879 A1 * 7/2003 Casey 439/608
- 2004/0242070 A1 * 12/2004 Inoue et al. 439/607

2005/0186843 A1 * 8/2005 Tsai 439/607

* cited by examiner

Primary Examiner—Alan P. Douglas

Assistant Examiner—Rosemary K. Tarcza

(74) *Attorney, Agent, or Firm*—Chauncey B. Johnson, Esq.;
Johnson & Associates, PC

(57) **CLAIM**

The ornamental design for a connector shell, as shown and described.

DESCRIPTION

FIG. 1 is a perspective view of a connector shell showing our new design;

FIG. 2 is a front view of the connector shell shown in FIG. 1;

FIG. 3 is a rear view of the connector shell shown in FIG. 1;

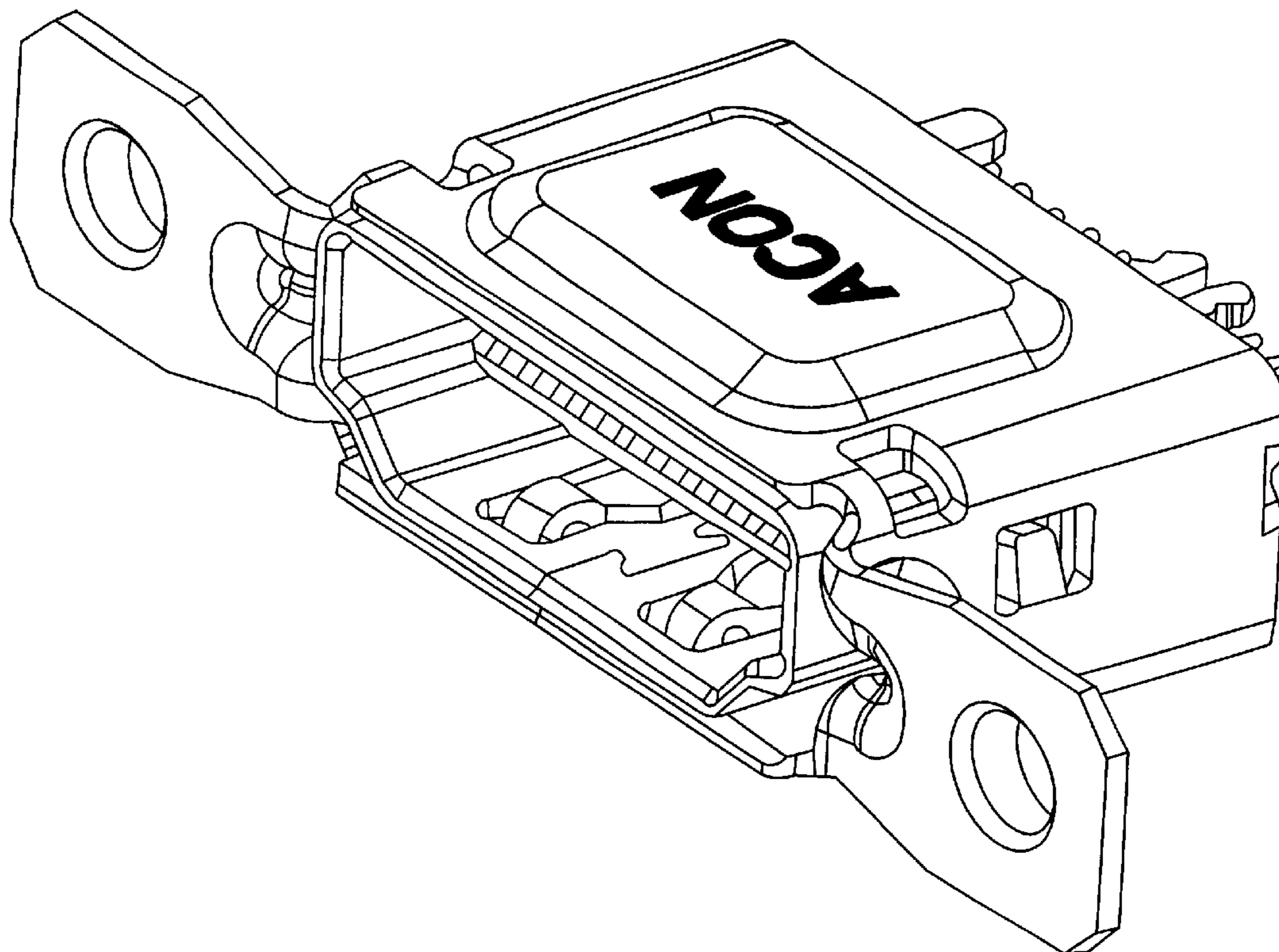
FIG. 4 is a left view of the connector shell shown in FIG. 1;

FIG. 5 is a right view of the connector shell shown in FIG. 1;

FIG. 6 is a top view of the connector shell shown in FIG. 1; and,

FIG. 7 is a bottom view of the connector shell shown in FIG. 1.

1 Claim, 4 Drawing Sheets



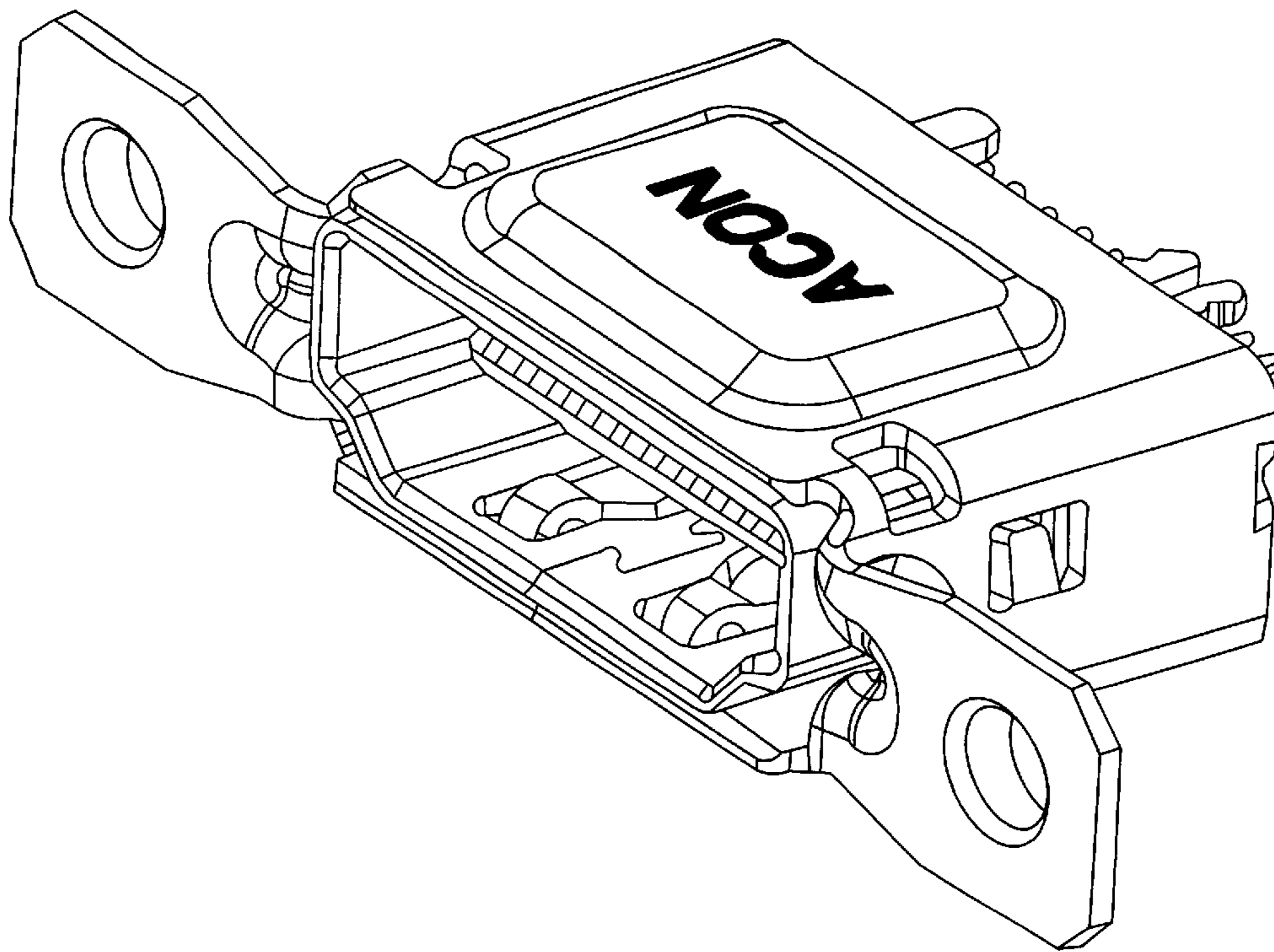


FIG.1

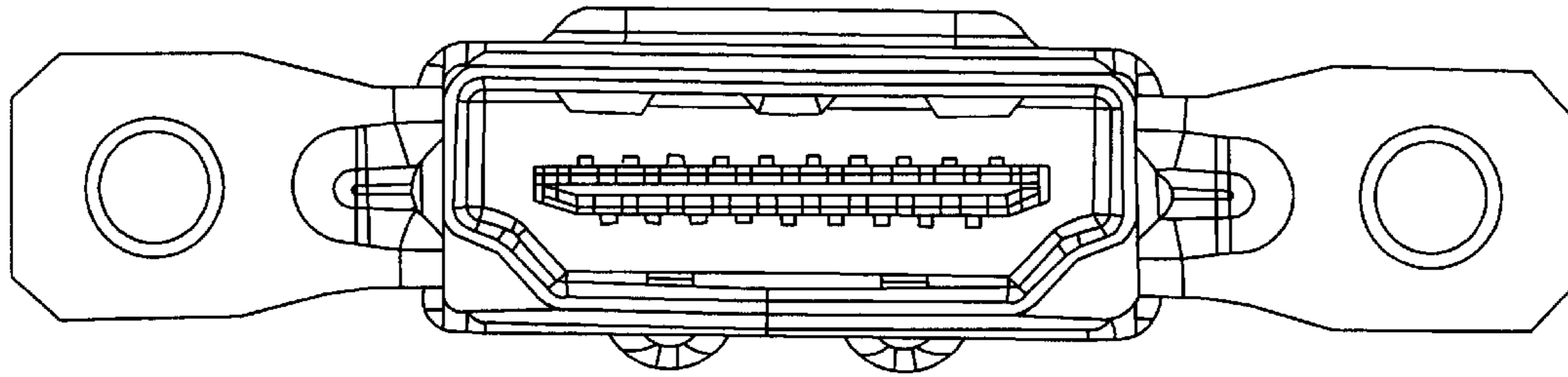


FIG. 2

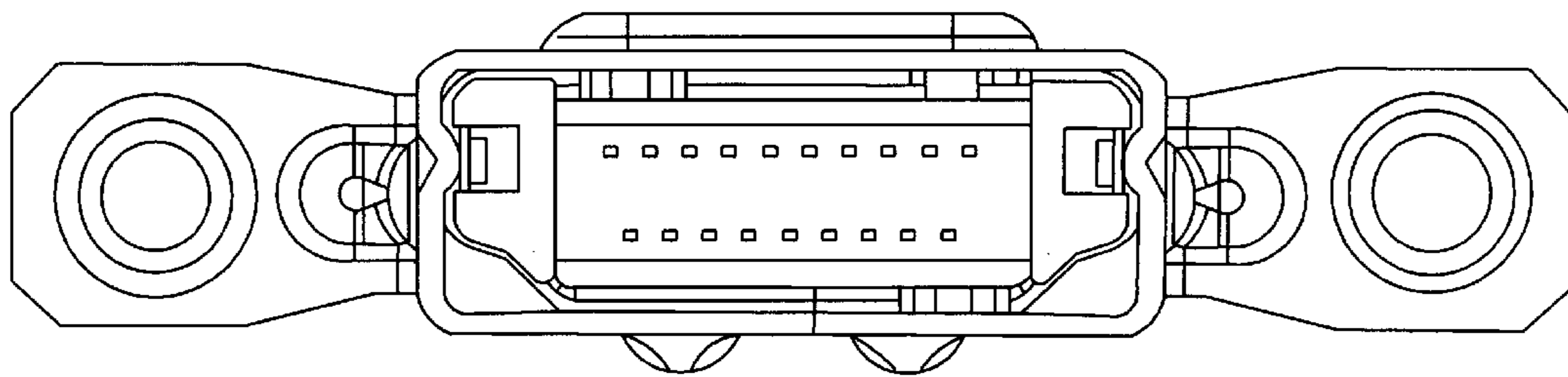


FIG. 3

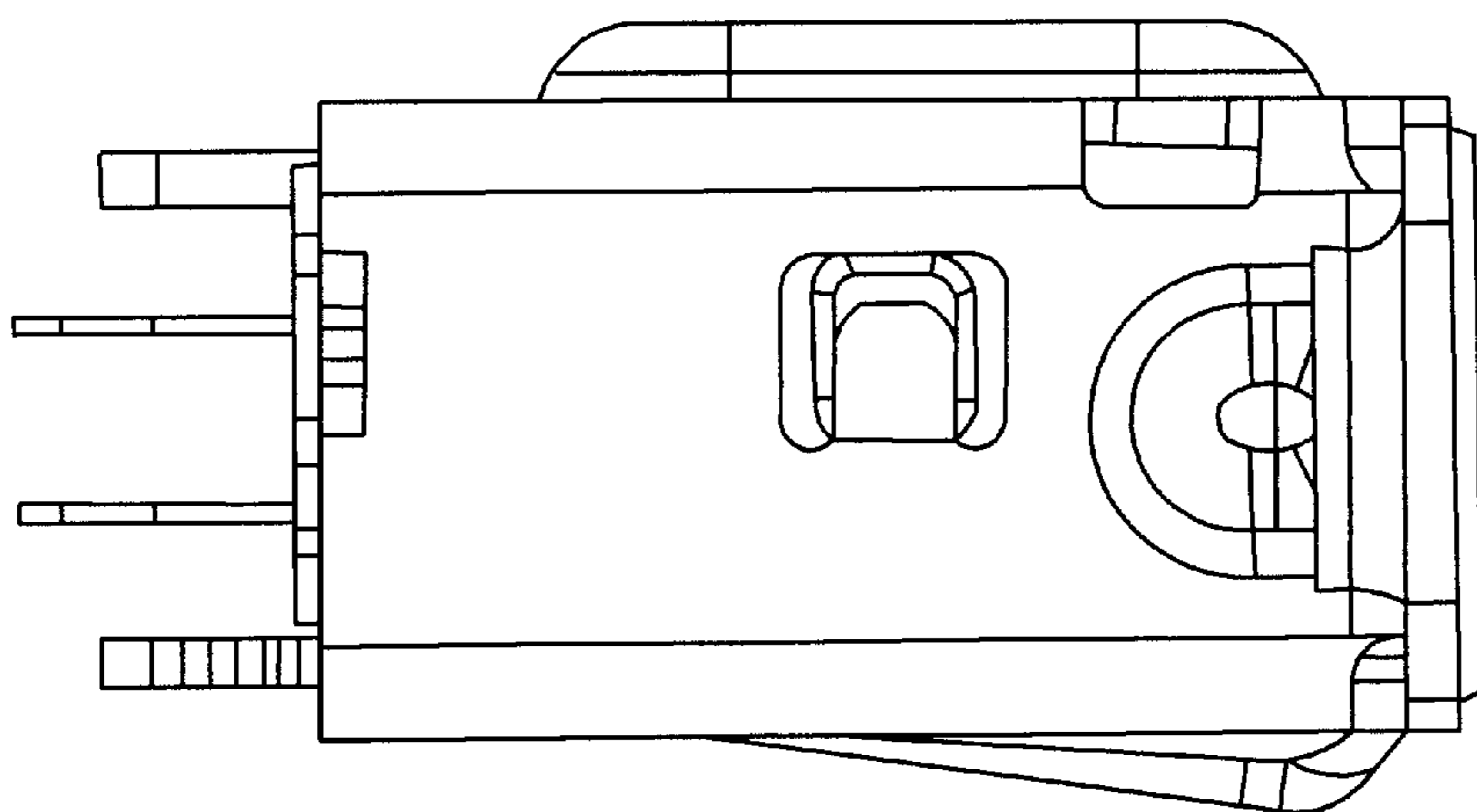


FIG.4

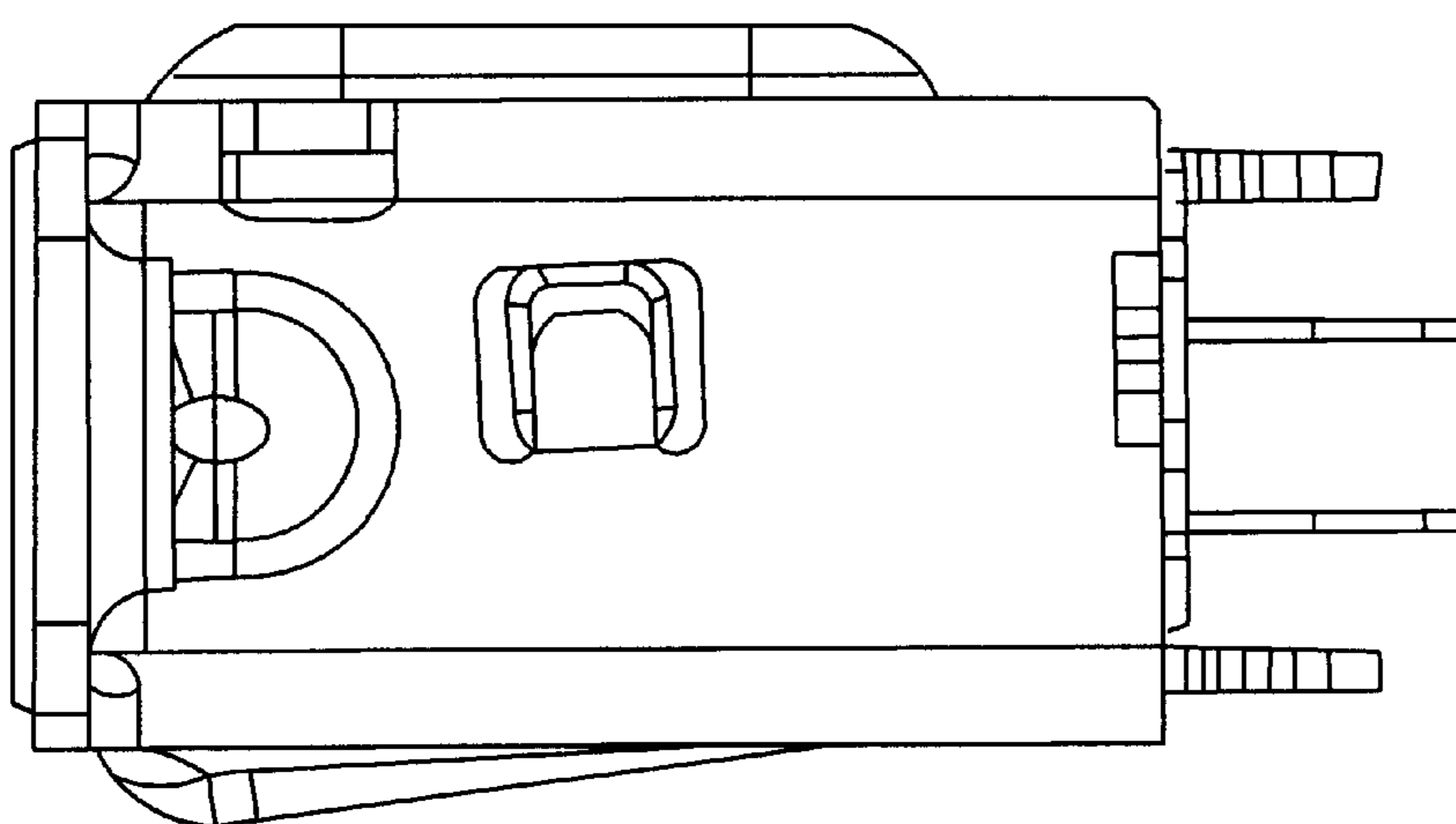


FIG.5

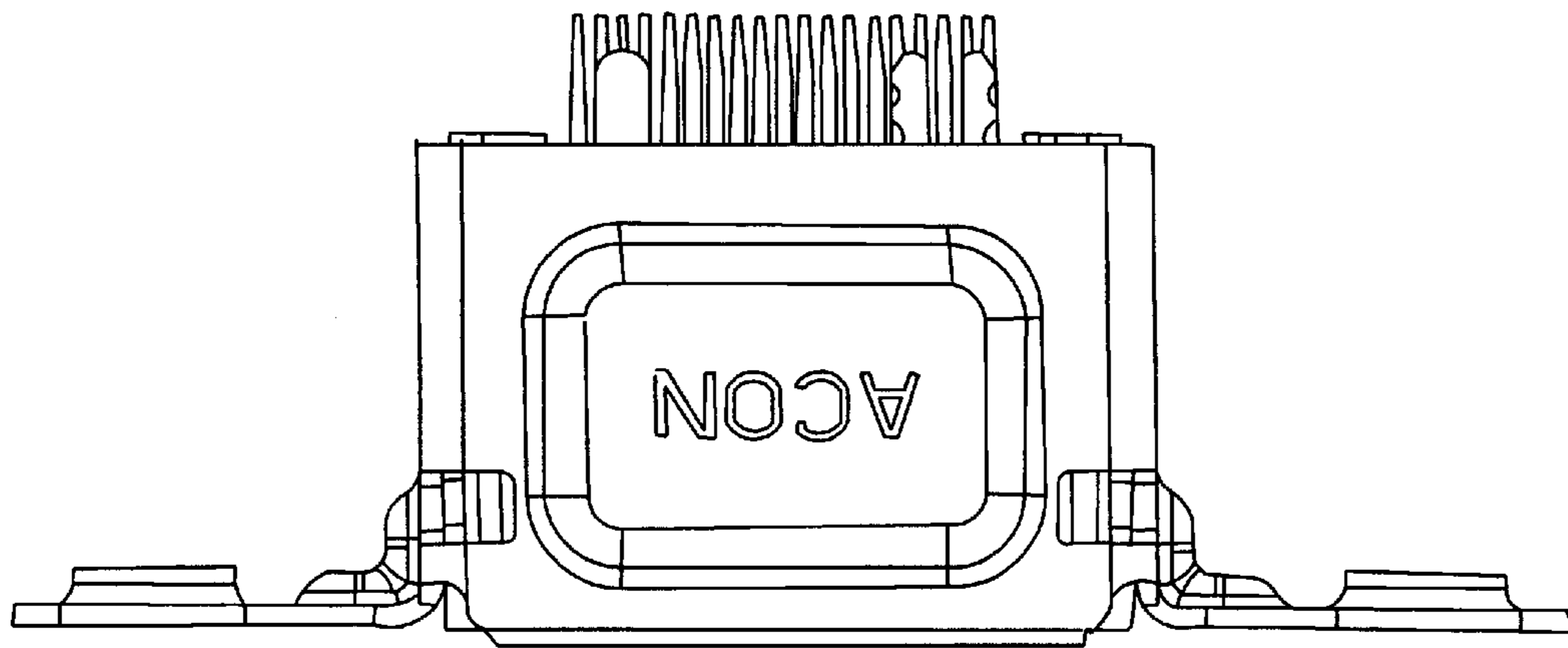


FIG. 6

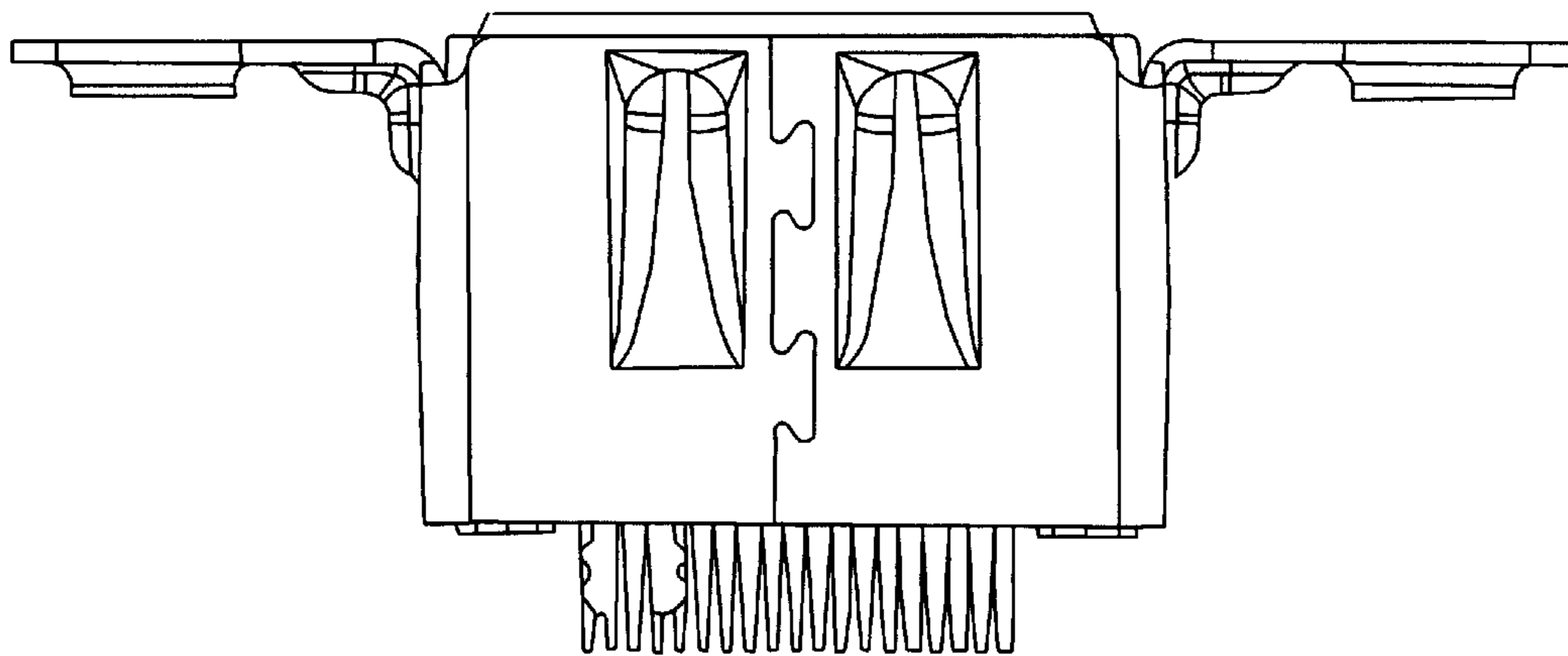


FIG. 7