



US00D533839S

(12) **United States Design Patent**
Park

(10) **Patent No.:** **US D533,839 S**

(45) **Date of Patent:** **** Dec. 19, 2006**

(54) **CONNECTOR OF THE TEMPERATURE
SENSOR FOR OVEN RANGE**

(76) **Inventor:** **James Ji-Hong Park**, 113-15,
Siheung-Dong, Geumcheon-Gu, Seoul
(KR)

(**) **Term:** **14 Years**

(21) **Appl. No.:** **29/240,821**

(22) **Filed:** **Oct. 19, 2005**

(30) **Foreign Application Priority Data**

Sep. 28, 2005 (KR) 30-2005-0032811

(51) **LOC (8) Cl.** **13-03**

(52) **U.S. Cl.** **D13/151**

(58) **Field of Classification Search** D13/133,
D13/151, 146-149, 154, 184; D23/386; 174/87,
174/74 R; 439/161, 259, 266, 270, 278, 374,
439/483-485, 527, 476.1, 519, 775, 784,
439/801, 892, 894

See application file for complete search history.

(56) **References Cited**

U.S. PATENT DOCUMENTS

D316,082 S * 4/1991 Gartwhaite D13/151

D343,802 S * 2/1994 Kornowski et al. D10/80

D395,016 S * 6/1998 Kornowski et al. D10/80

D422,230 S * 4/2000 Johnston D10/80

6,106,304 A * 8/2000 Huang 439/63

6,254,399 B1 * 7/2001 Huang 439/63

* cited by examiner

Primary Examiner—Prabhakar Deshmukh

Assistant Examiner—Daniel Bui

(74) *Attorney, Agent, or Firm*—Irving Keschner

(57) **CLAIM**

The ornamental design for a connector of the temperature sensor for oven range, as shown.

DESCRIPTION

FIG. 1 is a perspective view of a connector of the temperature sensor or oven range, showing my new invention;

FIG. 2 is a front elevational view thereof;

FIG. 3 is a rear elevational view thereof;

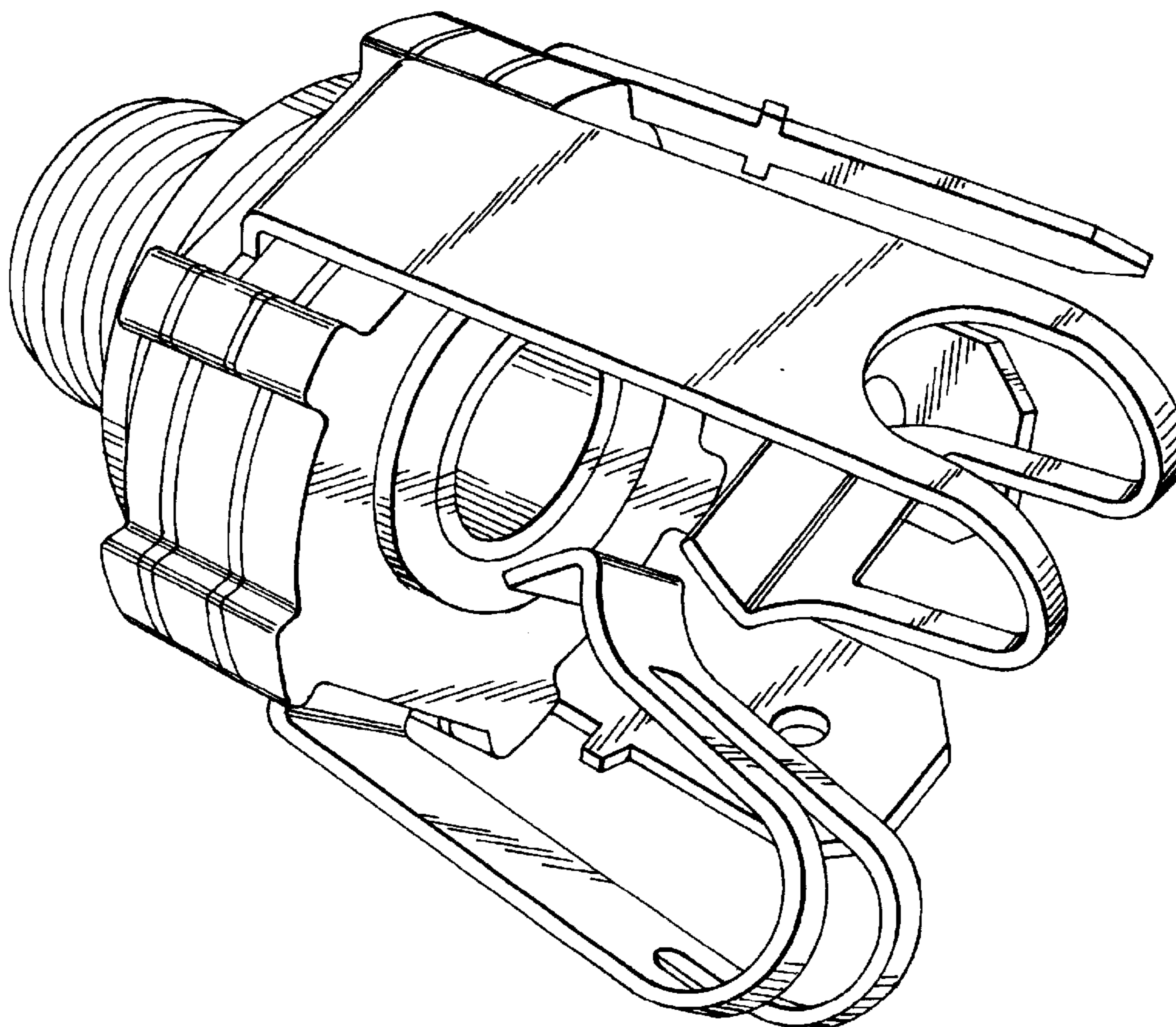
FIG. 4 is a left side elevational view thereof;

FIG. 5 is a right side elevational view thereof;

FIG. 6 is a top plan view thereof; and,

FIG. 7 is a bottom view thereof.

1 Claim, 4 Drawing Sheets



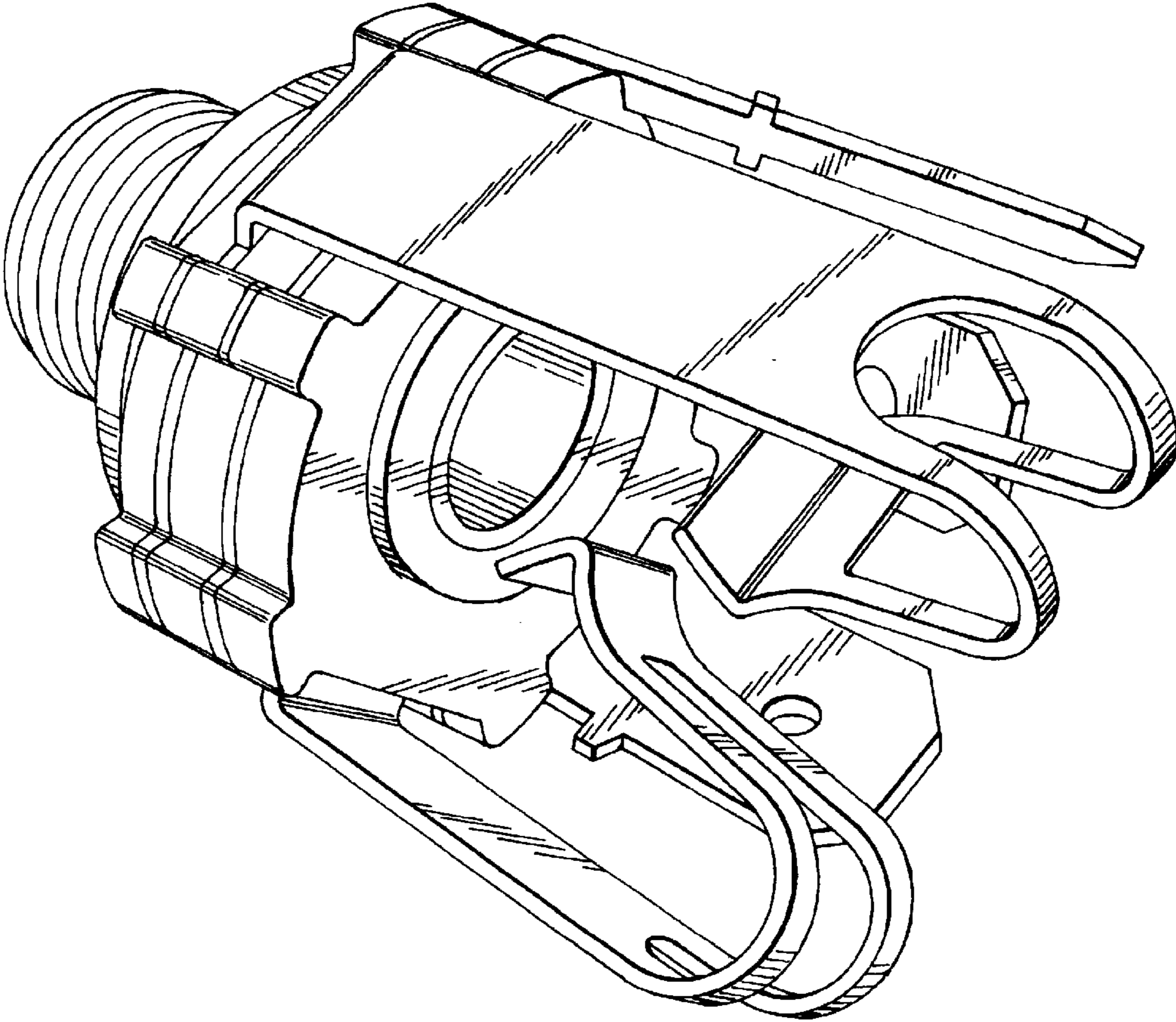


FIG. 1

FIG. 2

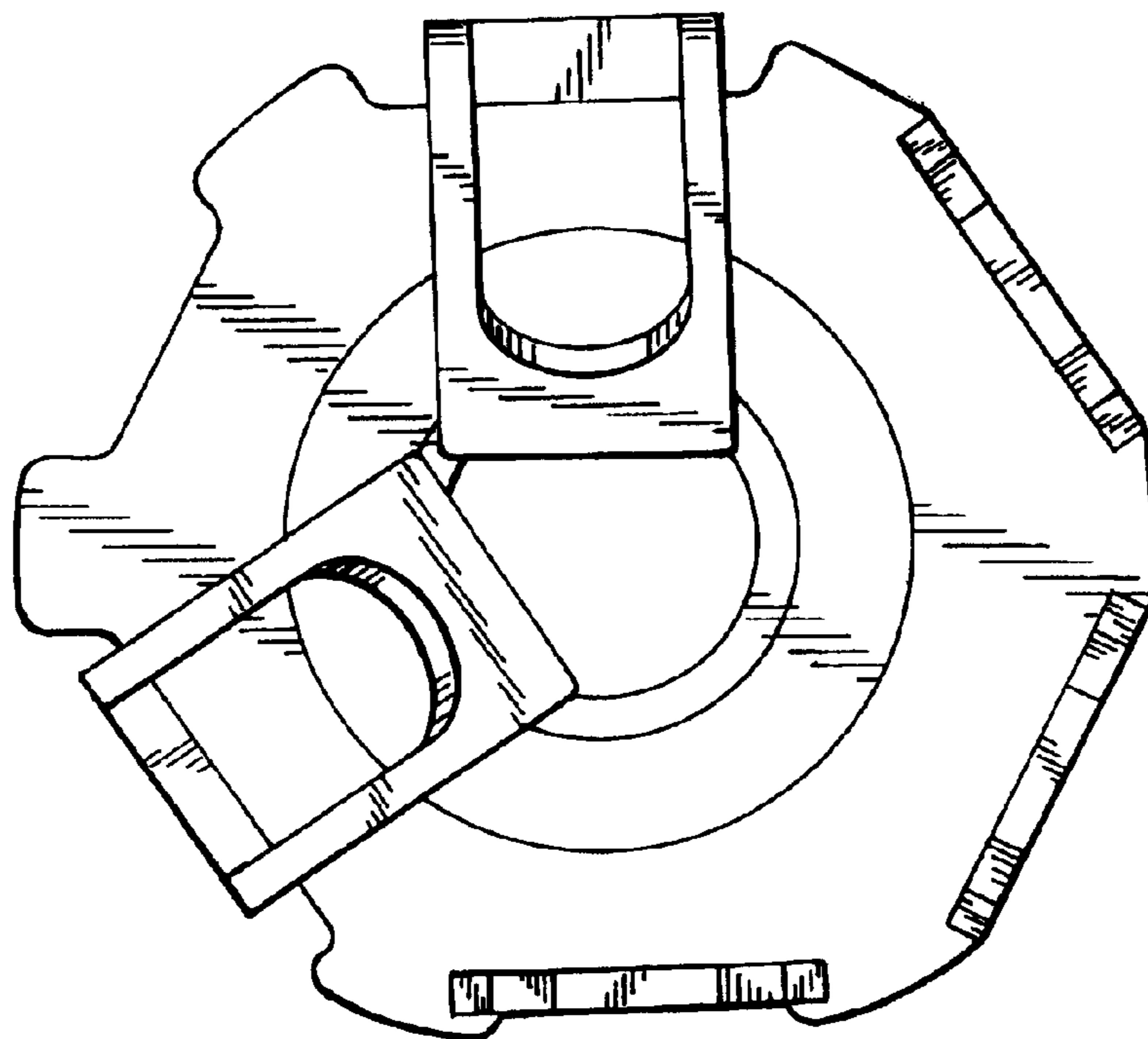


FIG. 3

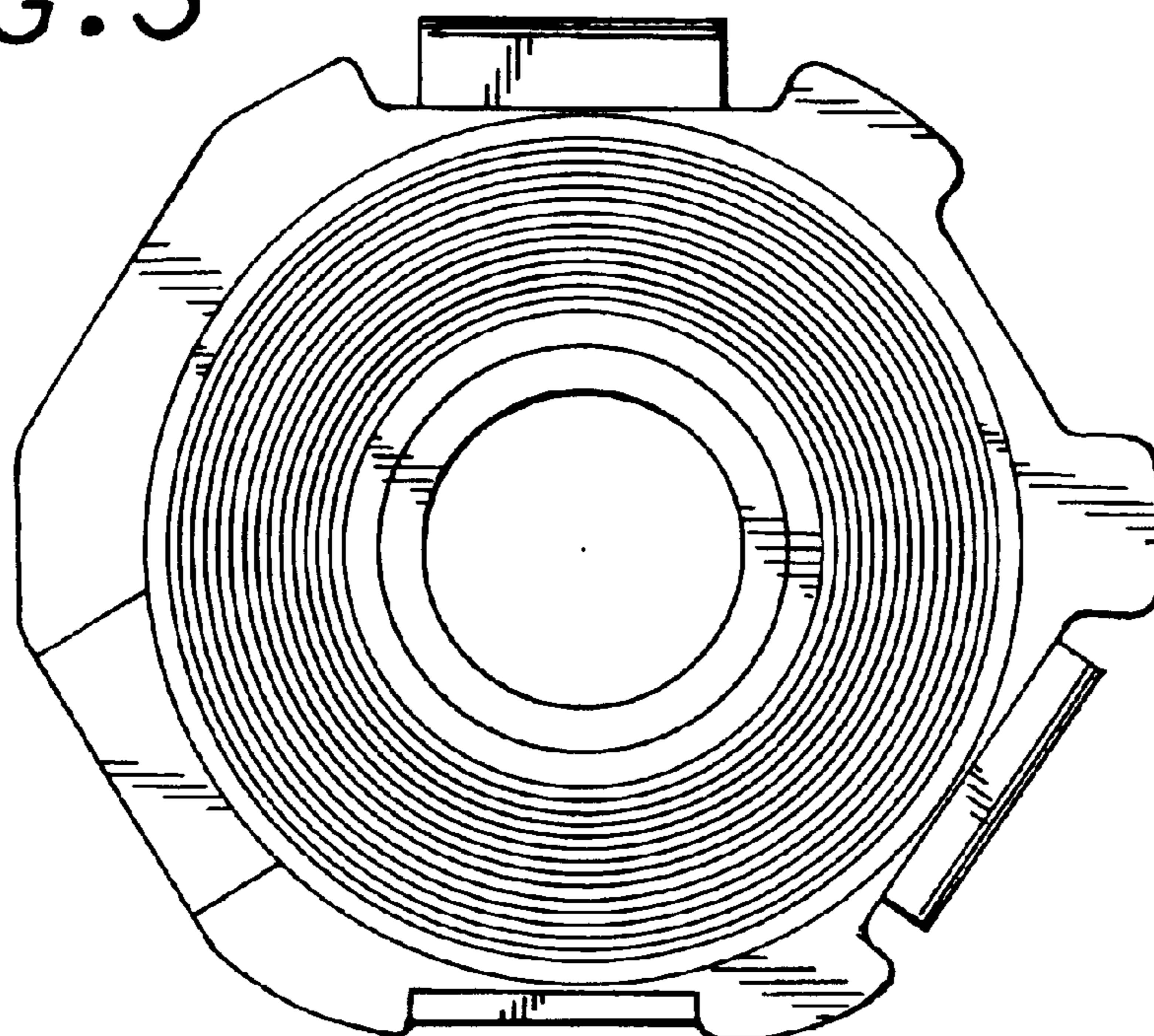


FIG. 4

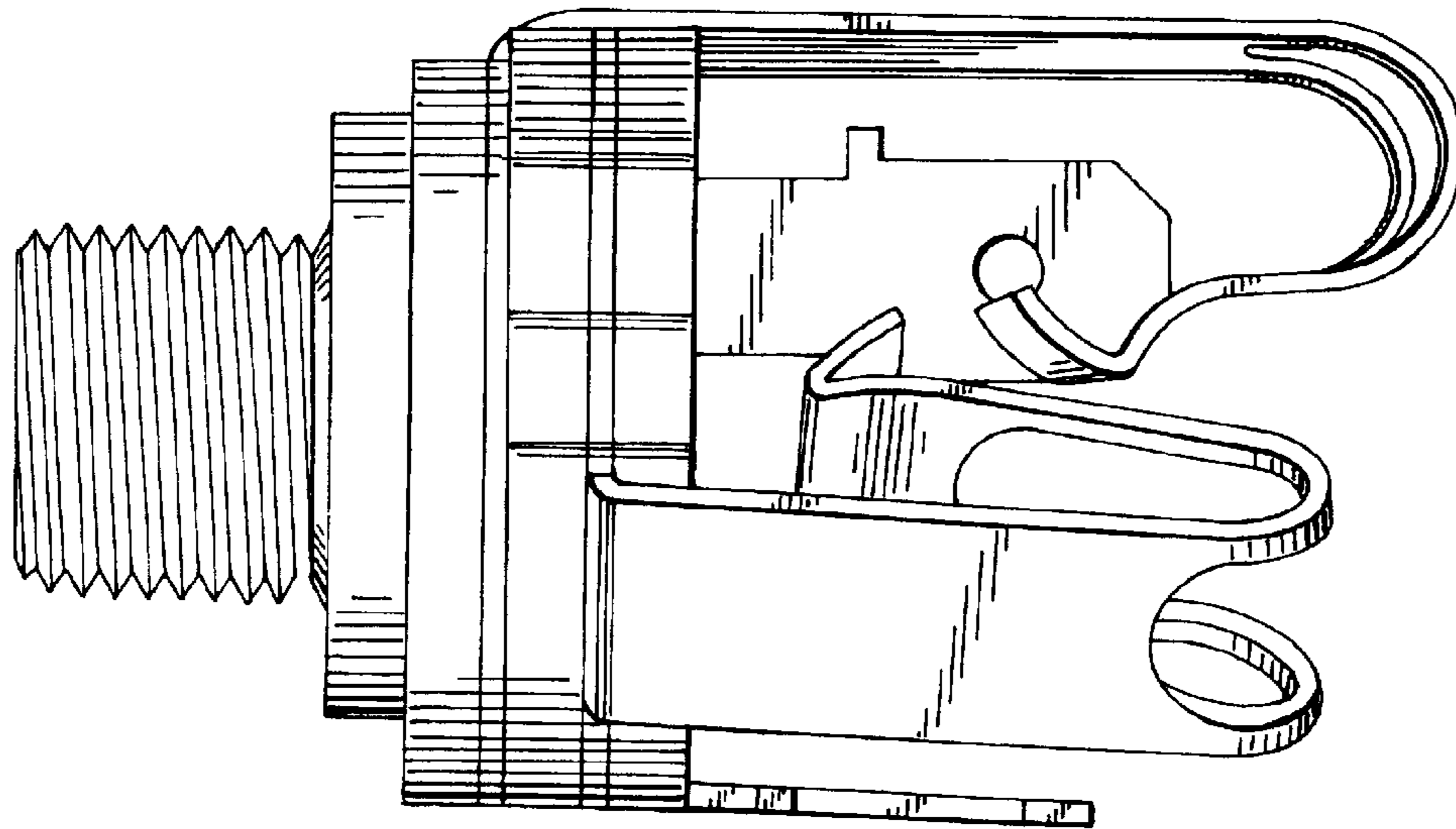


FIG. 5

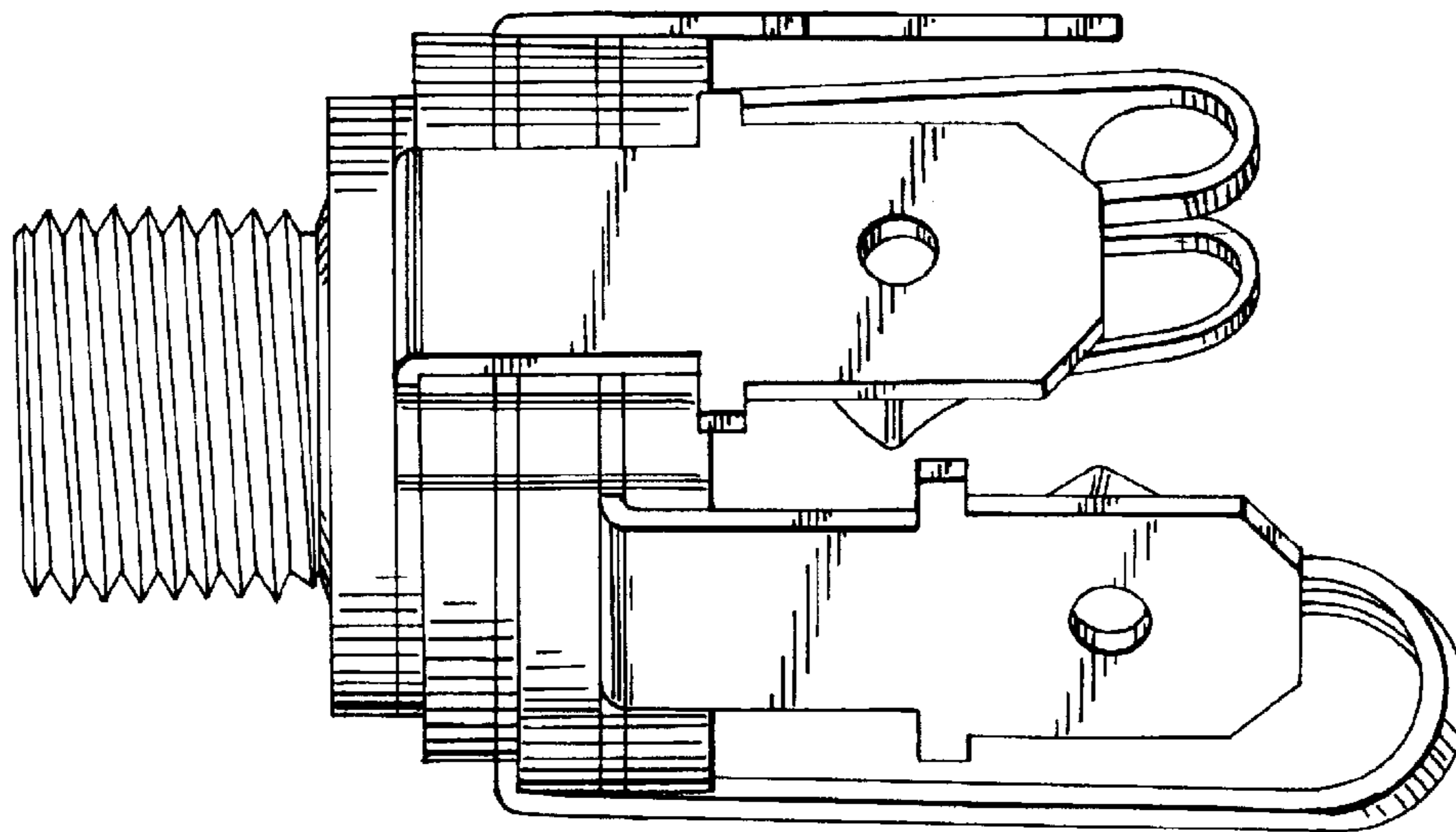


FIG. 6

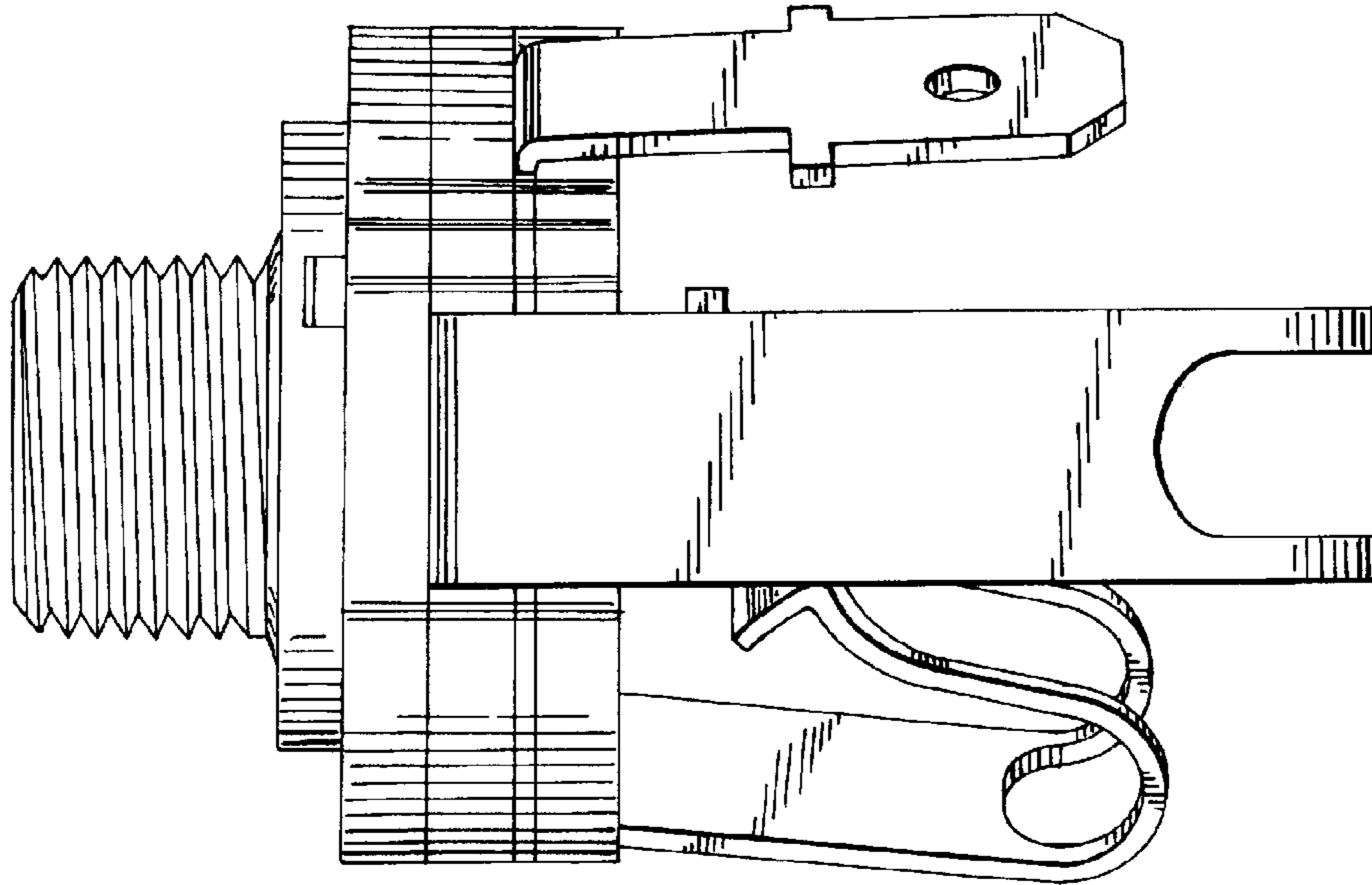


FIG. 7

