



US00D533838S

(12) **United States Design Patent**
Chen

(10) **Patent No.:** **US D533,838 S**

(45) **Date of Patent:** **** Dec. 19, 2006**

(54) **SOCKET OF A CAR CIGAR-LIGHTER WITH
A PLURALITY OF RECEIVING HOLES**

(76) Inventor: **Wen Jye Chen**, 1F., 15, Lane 191,
Xing Hu 2nd Road, Nei Hu, Taipei
(TW)

(**) Term: **14 Years**

(21) Appl. No.: **29/201,950**

(22) Filed: **Mar. 22, 2004**

(51) **LOC (8) Cl.** **13-03**

(52) **U.S. Cl.** **D13/144**

(58) **Field of Classification Search** D13/107,
D13/110, 144, 184; D14/155, 240; 320/110-112,
320/114; 363/146; 439/300, 620, 638, 668,
439/669, 675, 825

See application file for complete search history.

(56) **References Cited**

U.S. PATENT DOCUMENTS

D193,664 S	*	9/1962	Armbuster	D13/108
D318,648 S	*	7/1991	Collins	D13/144
D350,329 S	*	9/1994	Lindeman et al.	D13/107
D359,269 S	*	6/1995	Wharton	D13/144

D389,799 S	*	1/1998	Somers	D13/107
D429,689 S	*	8/2000	Barragan, Jr.	D13/144
D453,731 S	*	2/2002	Hauptli	D13/108
D476,297 S	*	6/2003	Schwimmer	D13/184
D483,017 S	*	12/2003	Goto	D13/147

* cited by examiner

Primary Examiner—M. H. Tung

Assistant Examiner—Rosemary K. Tarcza

(74) *Attorney, Agent, or Firm*—Pro-Techtor Int'l Services

(57) **CLAIM**

The ornamental design for a socket of a car cigar-lighter with a plurality of receiving holes, as shown and described.

DESCRIPTION

FIG. 1 is a top perspective view of a socket of a car cigar-lighter with a plurality of receiving holes showing my new design;

FIG. 2 is a front view thereof;

FIG. 3 is a rear view thereof;

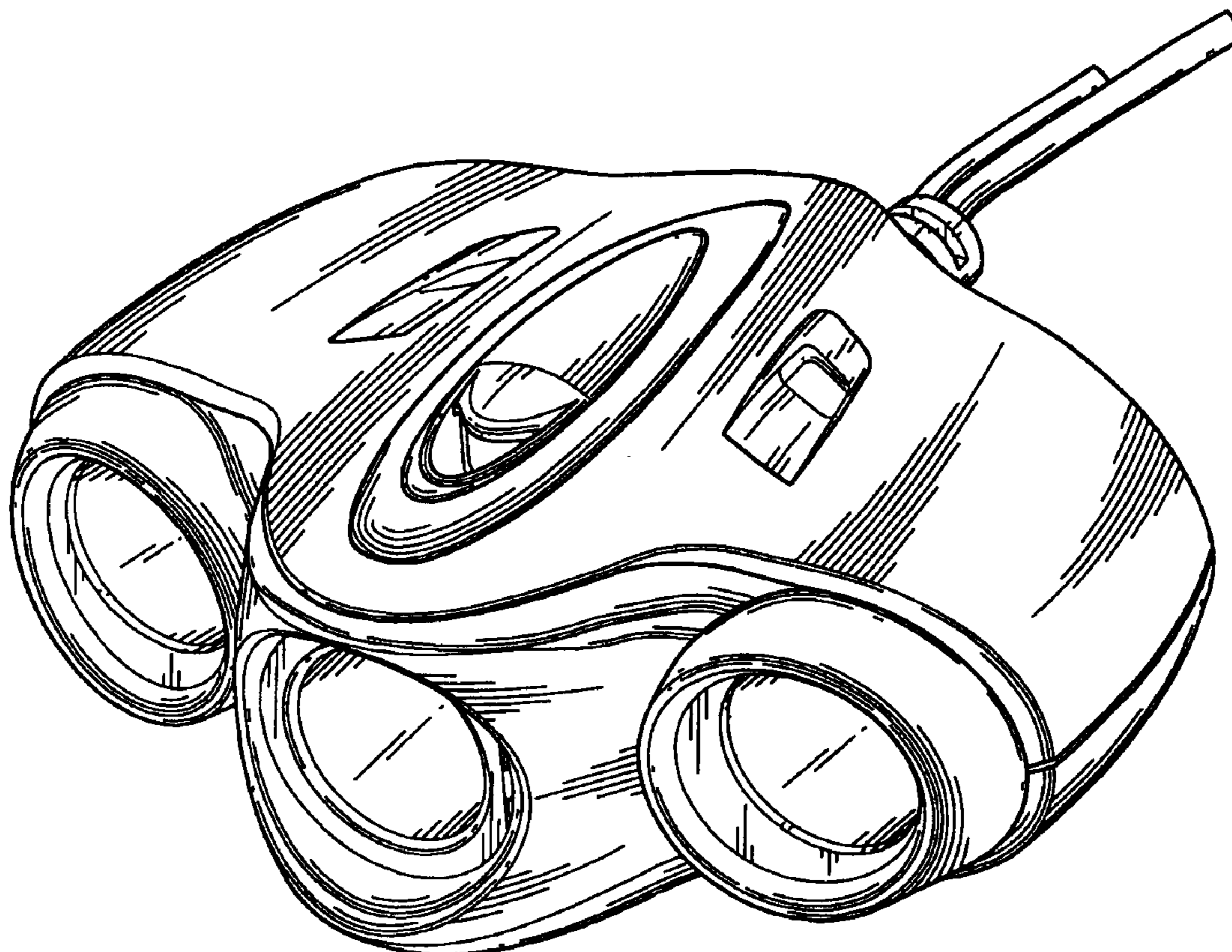
FIG. 4 is a left side view thereof;

FIG. 5 is a right side view thereof;

FIG. 6 is a top view thereof; and,

FIG. 7 is a bottom view thereof.

1 Claim, 5 Drawing Sheets



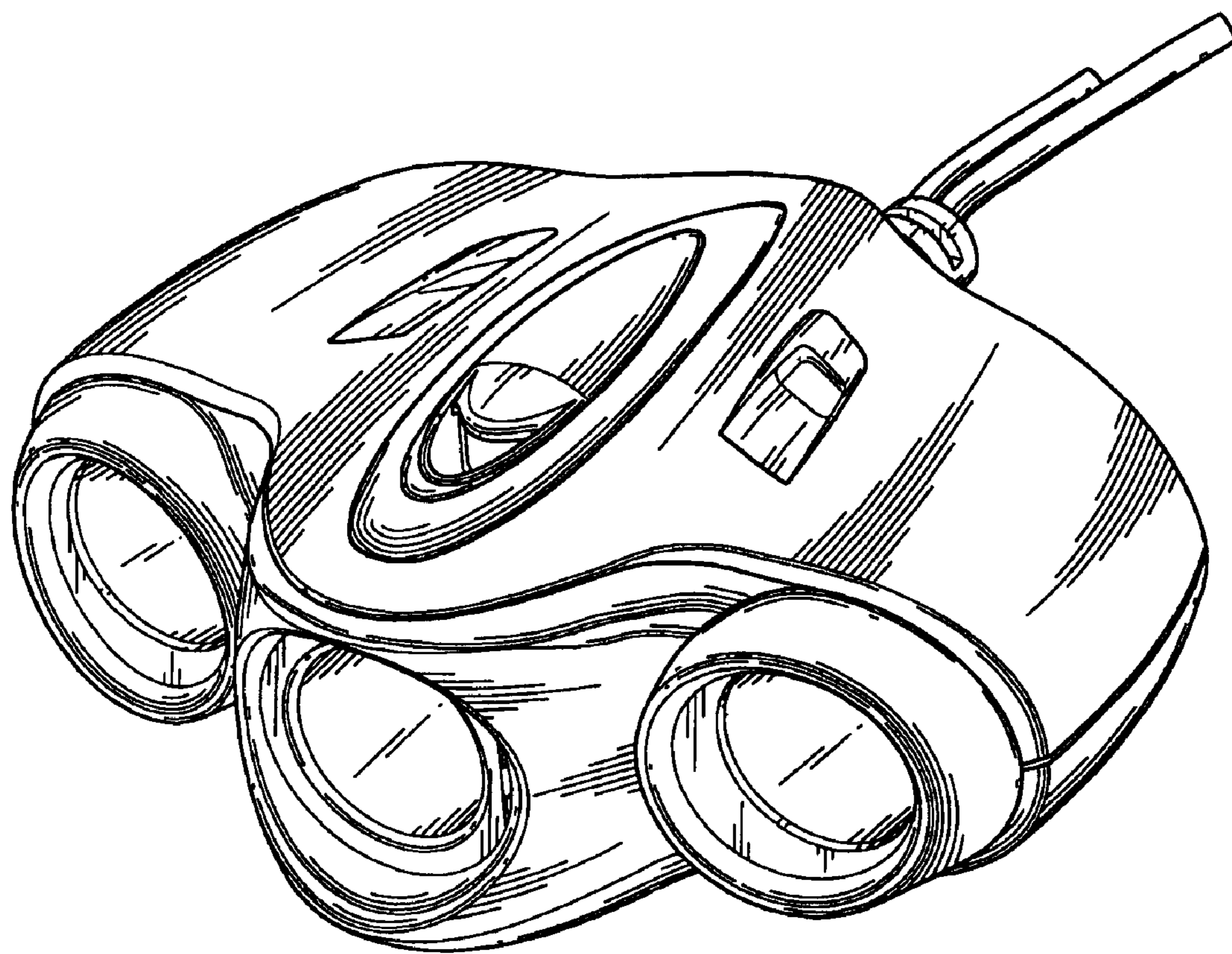


FIG. 1

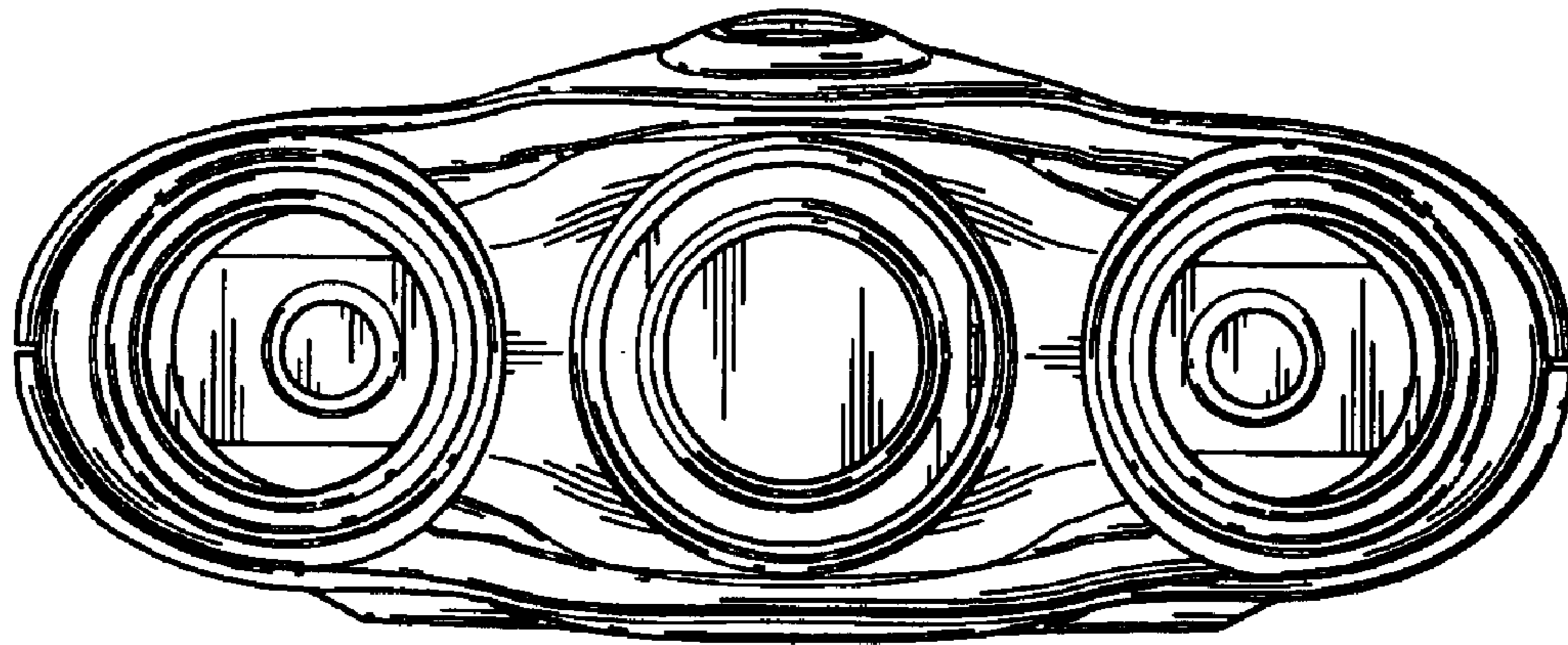


FIG. 2

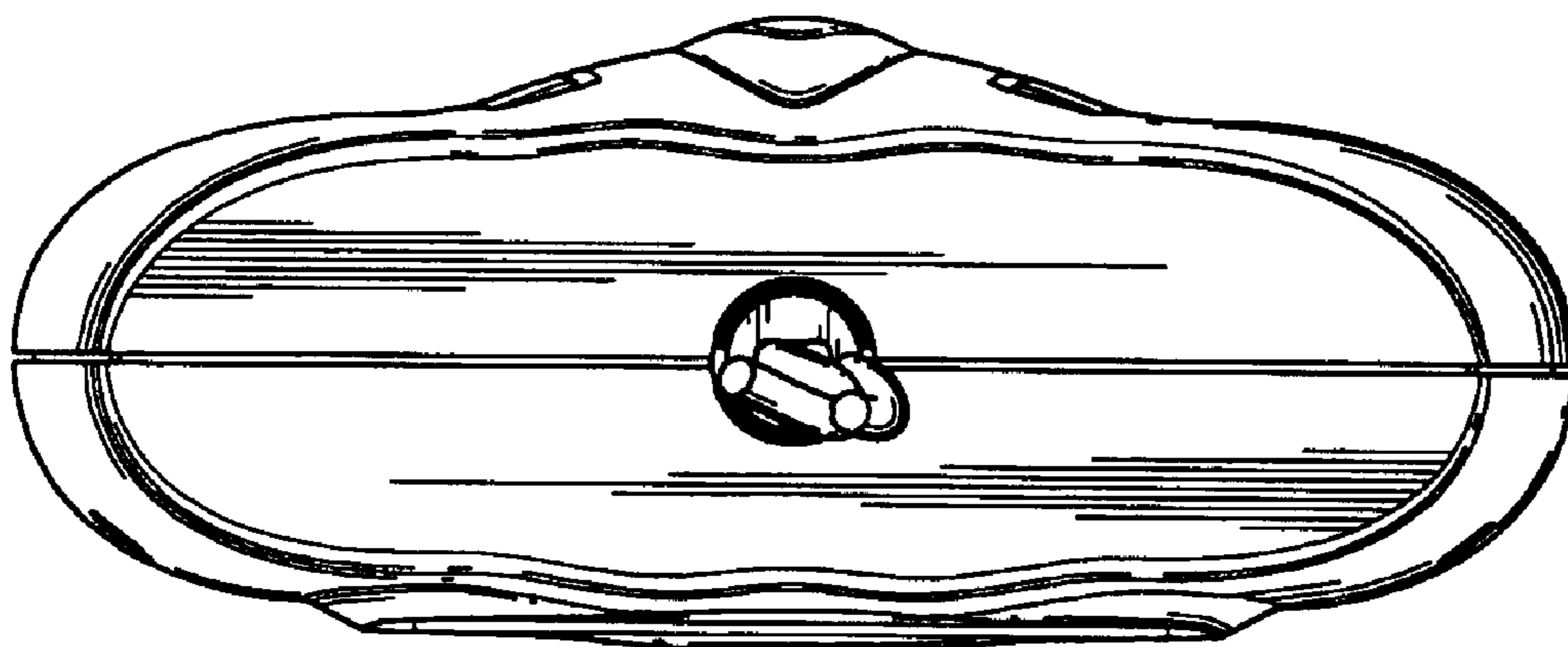


FIG. 3

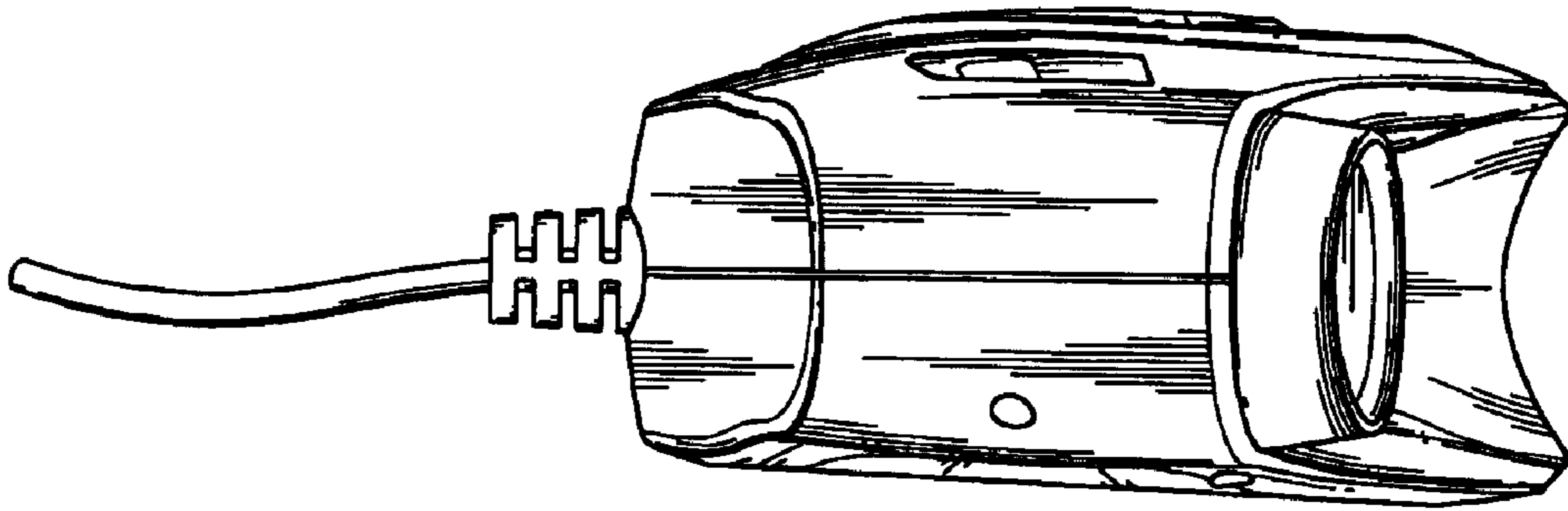


FIG. 4

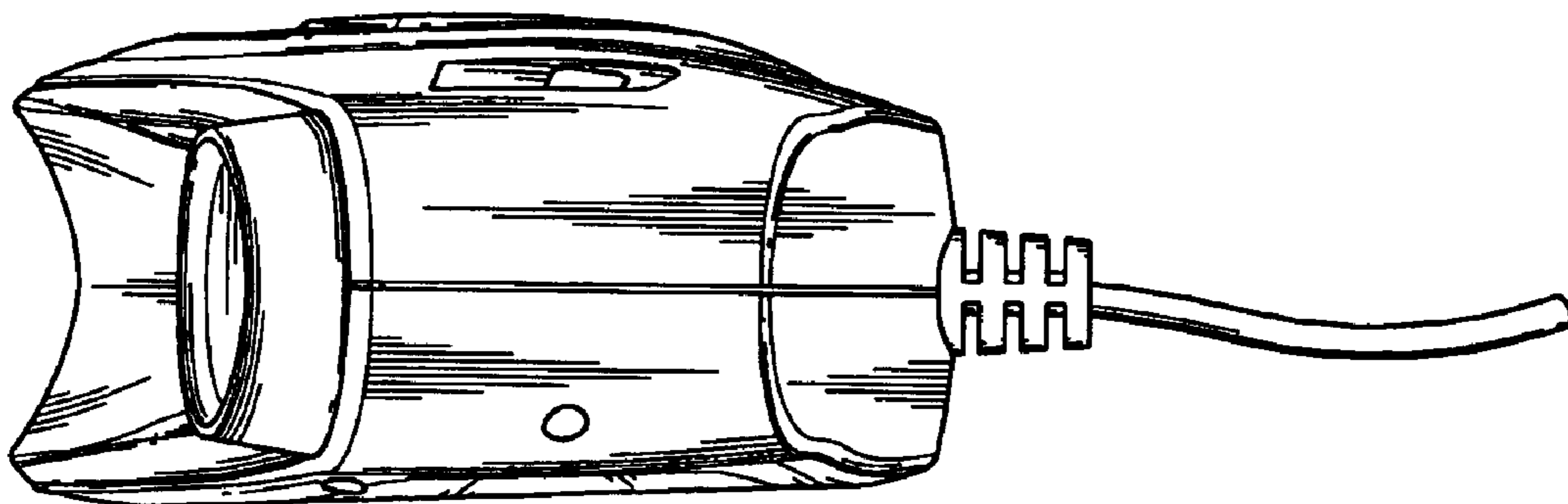


FIG. 5

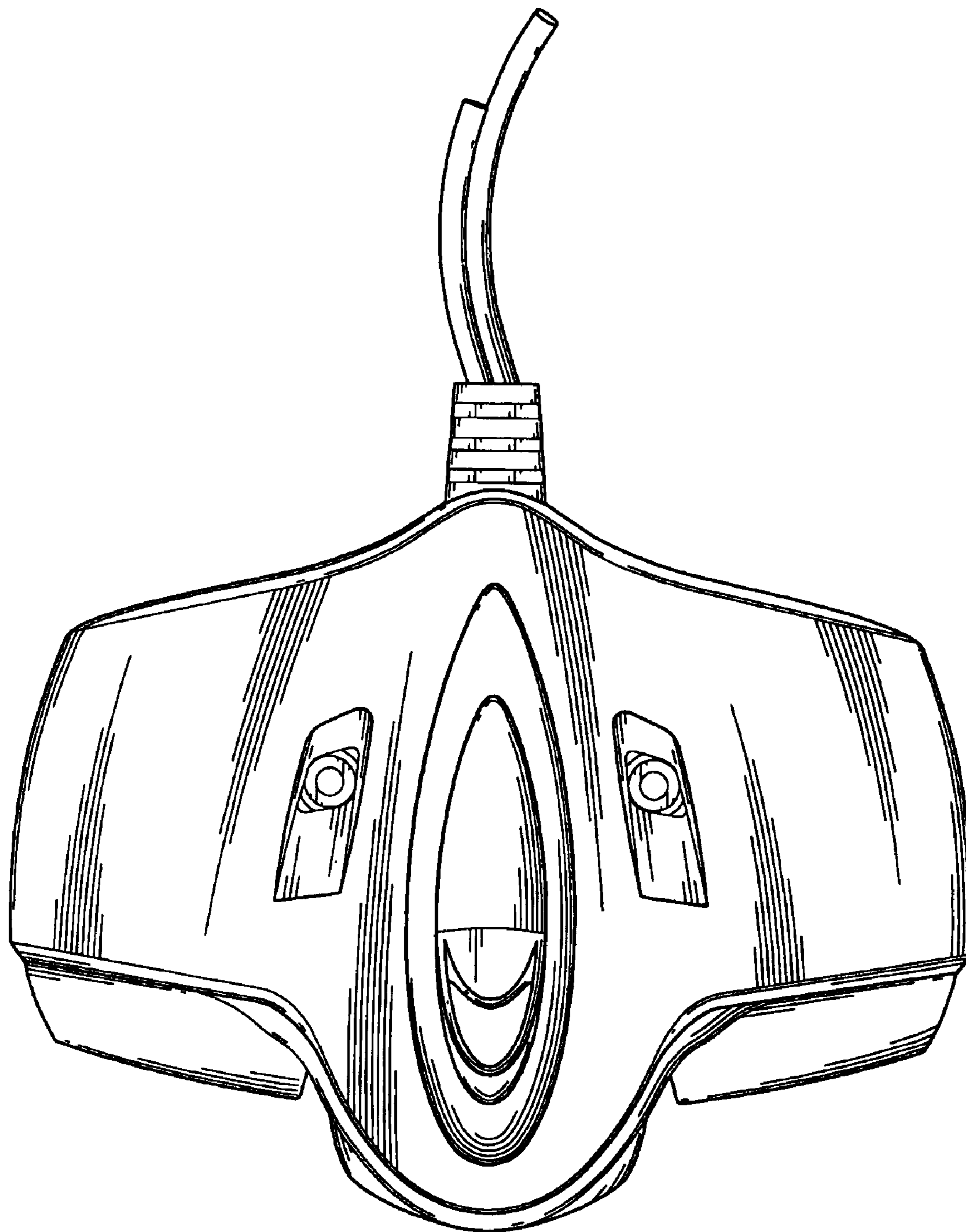


FIG. 6

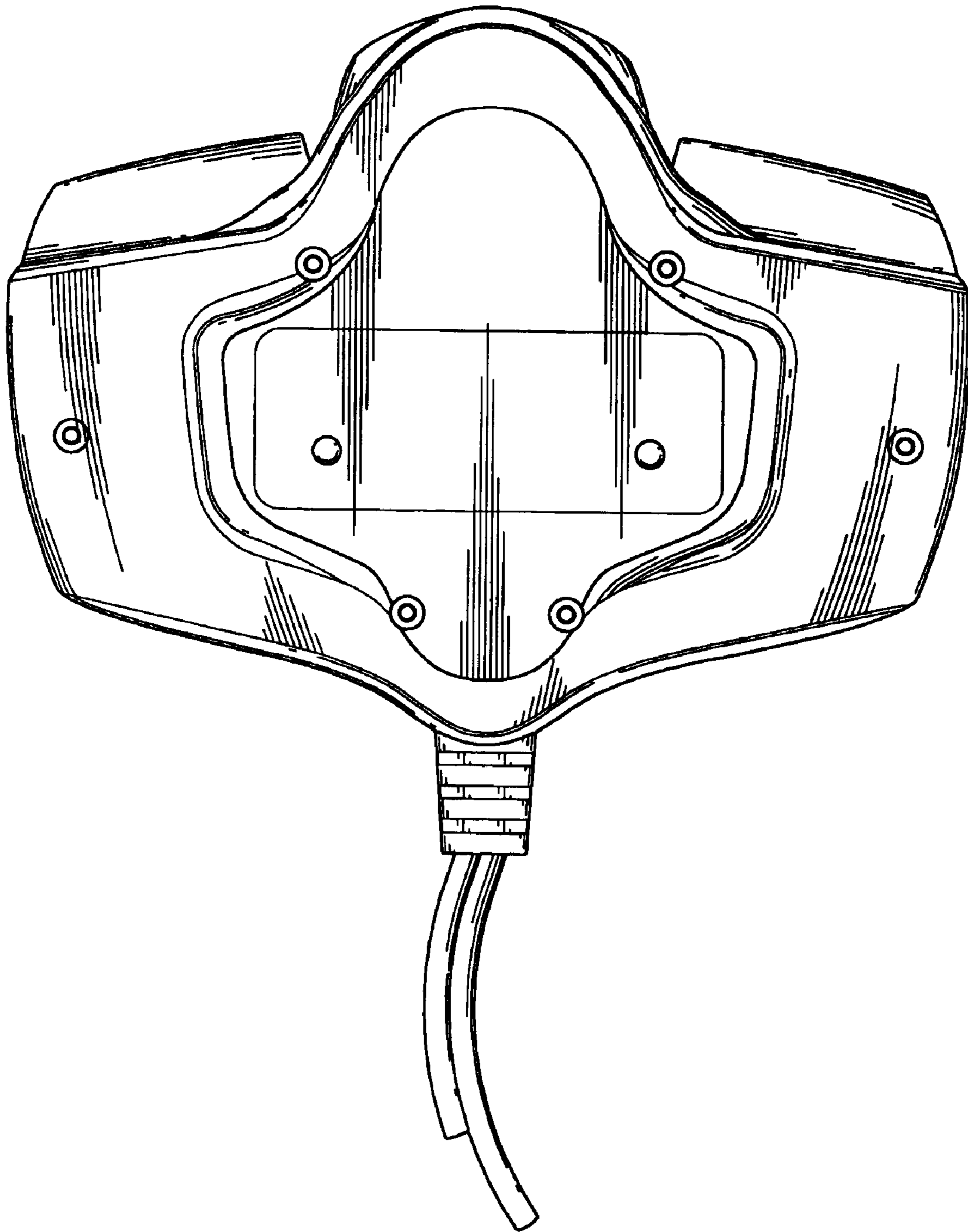


FIG. 7