



US00D533837S

(12) **United States Design Patent**  
**Wang**

(10) **Patent No.:** **US D533,837 S**

(45) **Date of Patent:** **\*\* Dec. 19, 2006**

(54) **ELECTRICAL PLUG**

(76) Inventor: **Peace Wang**, No. 507, Wunsin S. 5th Rd., Nantun District, Taichung City (TW), 408

(\*\*) Term: **14 Years**

(21) Appl. No.: **29/255,222**

(22) Filed: **Mar. 7, 2006**

(51) **LOC (8) Cl.** ..... **13-03**

(52) **U.S. Cl.** ..... **D13/138.2**

(58) **Field of Classification Search** .. D13/137.1-137.4, D13/138.2, 133, 154; 439/171-172, 140, 439/160, 164, 135-138, 446, 131, 606, 105-106, 439/11, 13, 31; 337/197-198; 174/53-58  
See application file for complete search history.

(56) **References Cited**

**U.S. PATENT DOCUMENTS**

D330,009 S	*	10/1992	Dickie	.....	D13/138.1
D355,408 S	*	2/1995	Geis et al.	.....	D13/138.1
D365,083 S	*	12/1995	Hedrick	.....	D13/138.1
D369,142 S	*	4/1996	Hedrick	.....	D13/138.1
5,567,181 A	*	10/1996	Lentz et al.	.....	439/694
D375,291 S	*	11/1996	Cheung	.....	D13/138.2

D379,964 S	*	6/1997	Maddock et al.	.....	D13/138.1
D401,903 S	*	12/1998	Dwight et al.	.....	D13/138.2
D405,222 S	*	2/1999	Gilbert et al.	.....	D13/138.2
D428,390 S	*	7/2000	Wang	.....	D13/138.2
6,095,849 A	*	8/2000	Stekelenburg	.....	439/483
D460,044 S	*	7/2002	Stekelenburg	.....	D13/138.2
D519,079 S	*	4/2006	Suckle	.....	D13/138.1

\* cited by examiner

*Primary Examiner*—M. H. Tung

*Assistant Examiner*—Rosemary K. Tarcza

(74) *Attorney, Agent, or Firm*—Bacon & Thomas

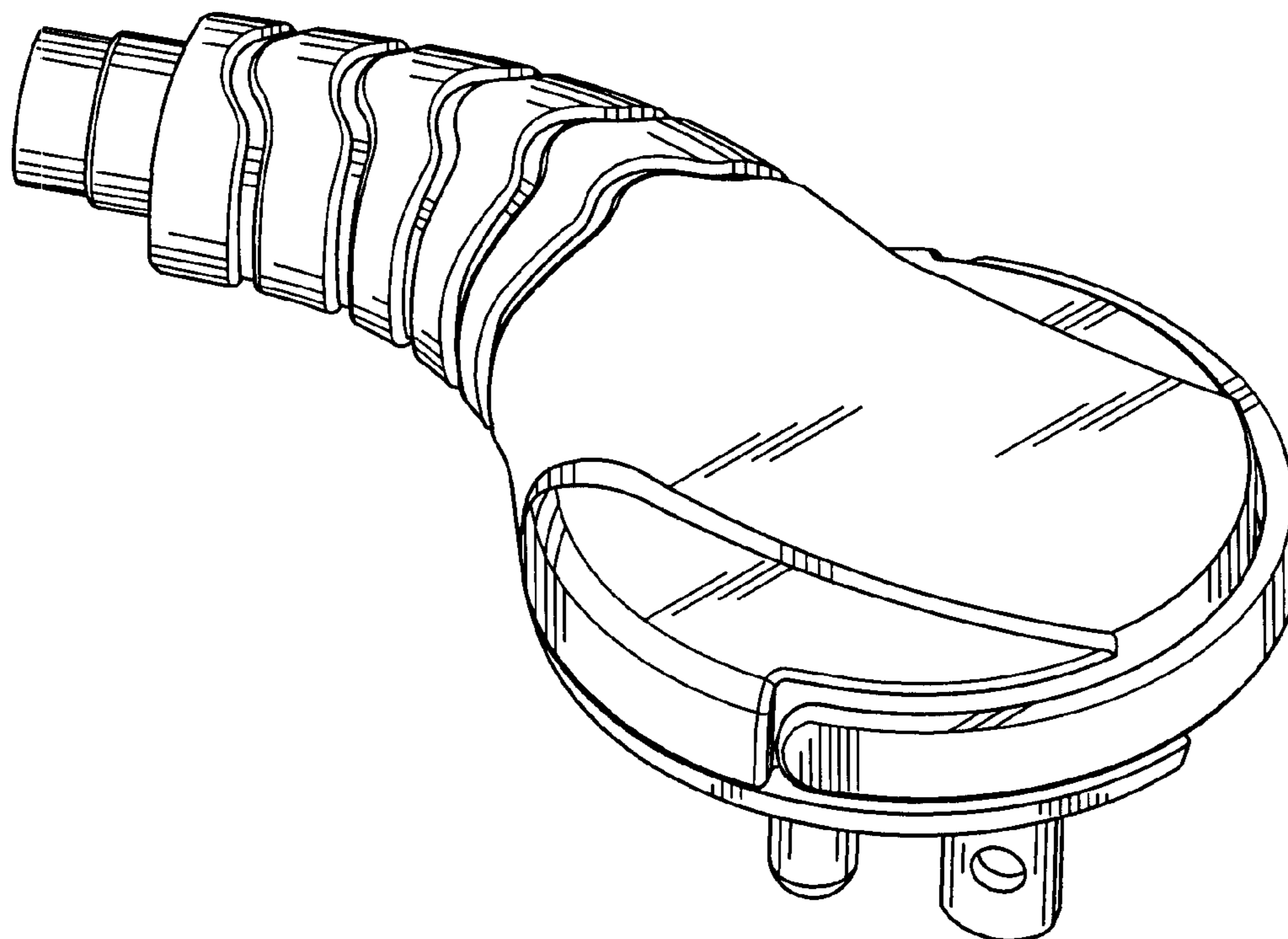
(57) **CLAIM**

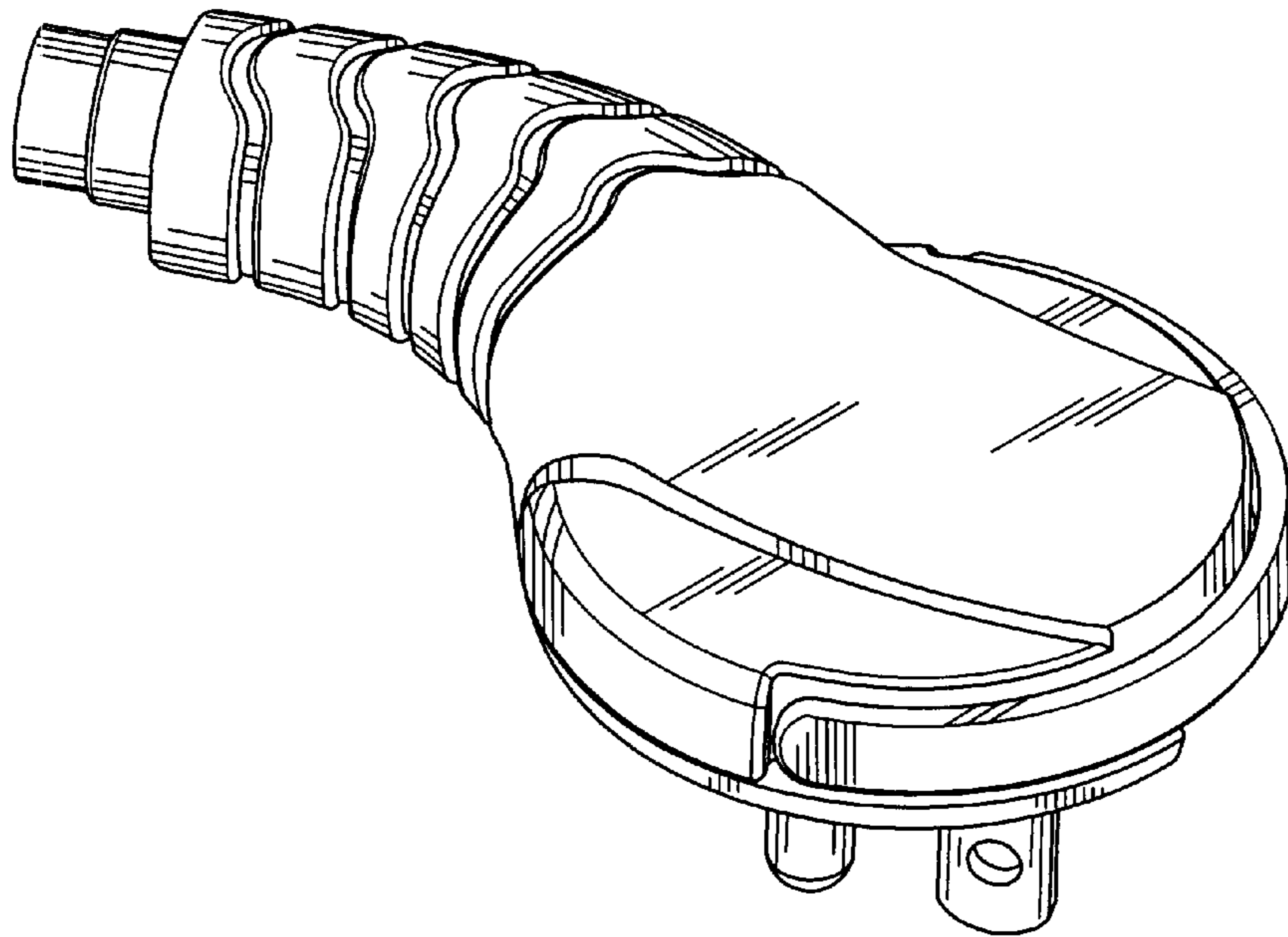
The ornamental design for an electrical plug, as shown.

**DESCRIPTION**

FIG. 1 shows a perspective view of the present design.  
 FIG. 2 shows a right side elevational view of the present design.  
 FIG. 3 shows a top plan view of the present design.  
 FIG. 4 shows a front elevational view of the present design.  
 FIG. 5 shows a bottom plan view of the present design.  
 FIG. 6 shows a left side elevational view of the present design; and,  
 FIG. 7 shows a rear elevational view of the present design.

**1 Claim, 4 Drawing Sheets**





**FIG. 1**

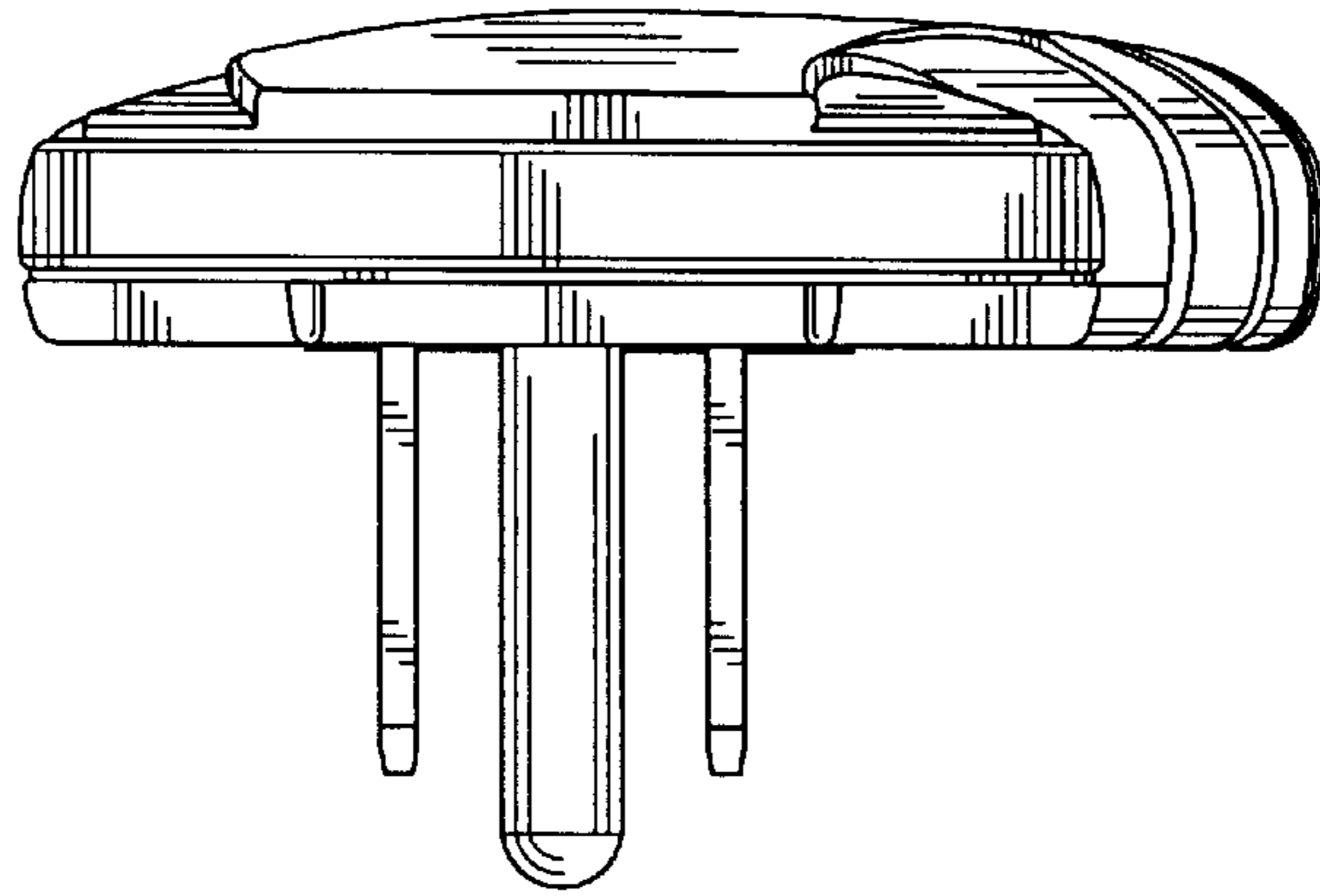


FIG. 2

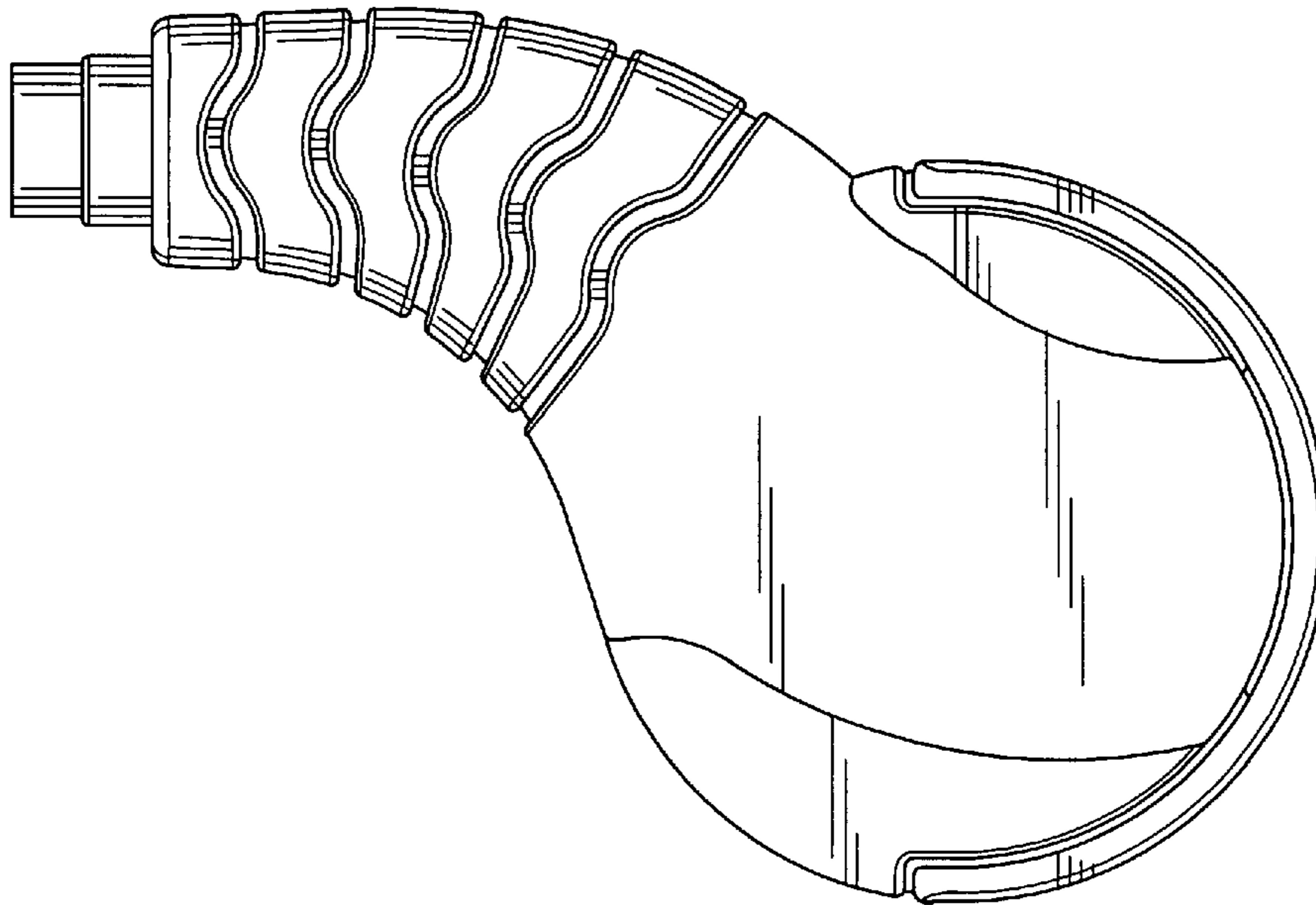


FIG. 3

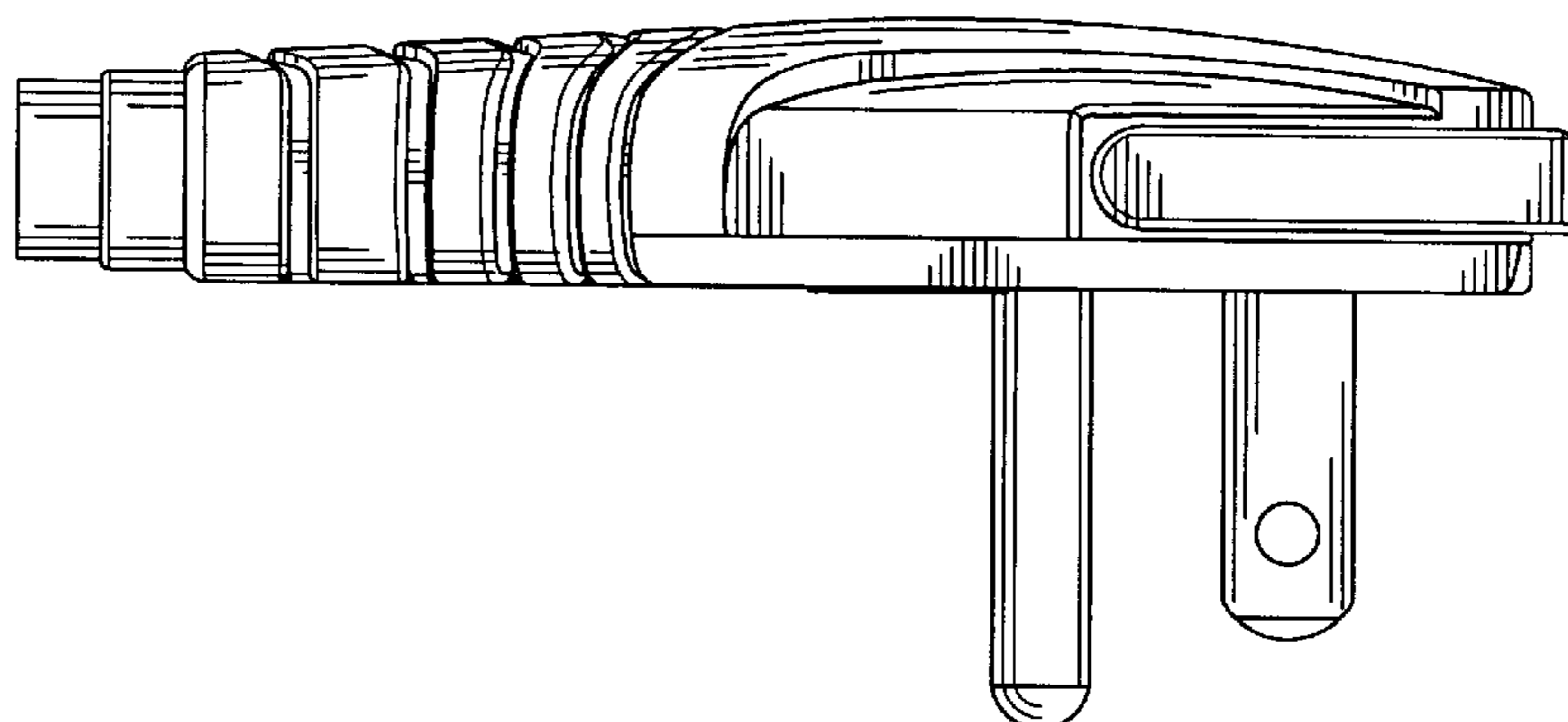


FIG. 4

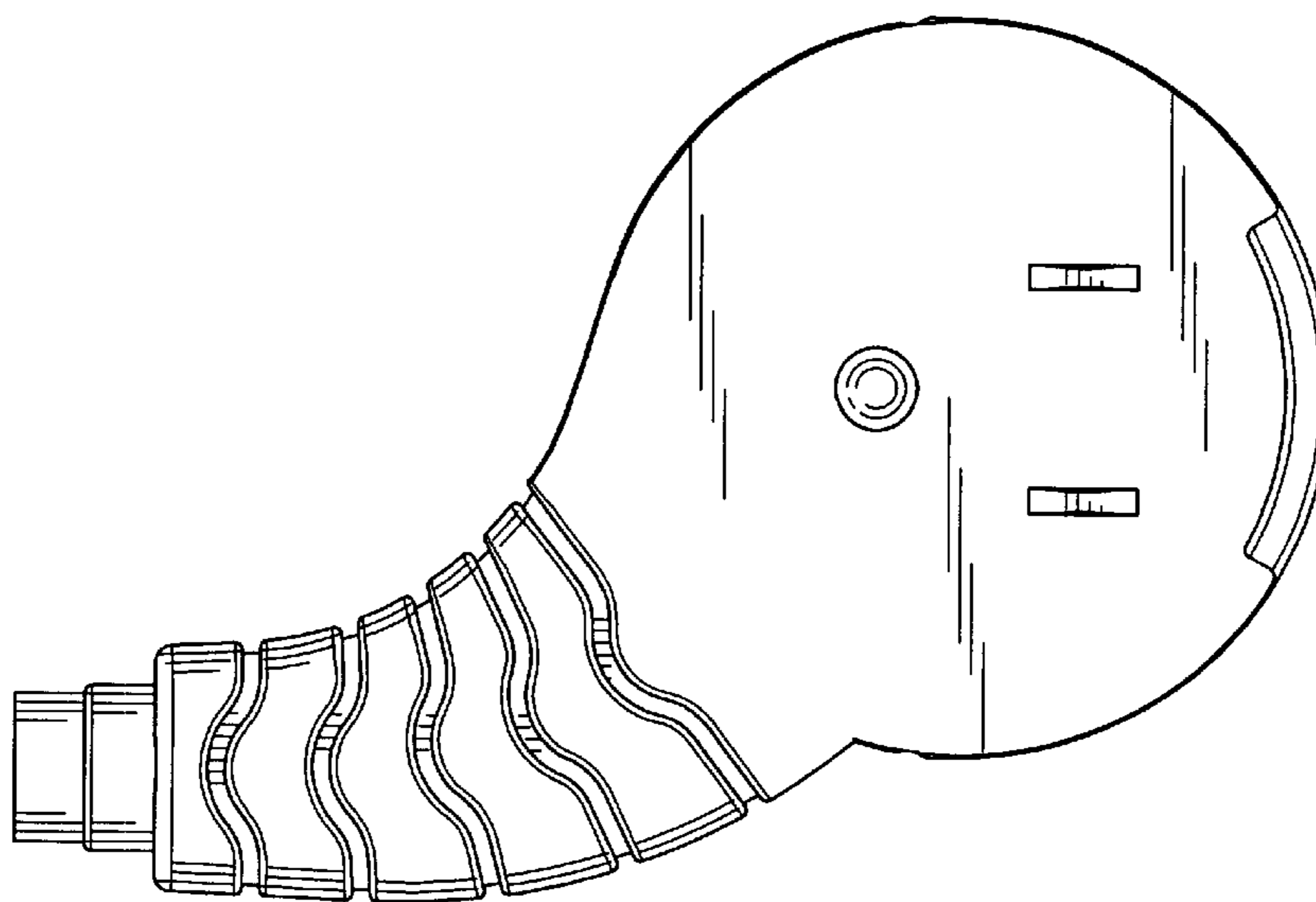


FIG. 5

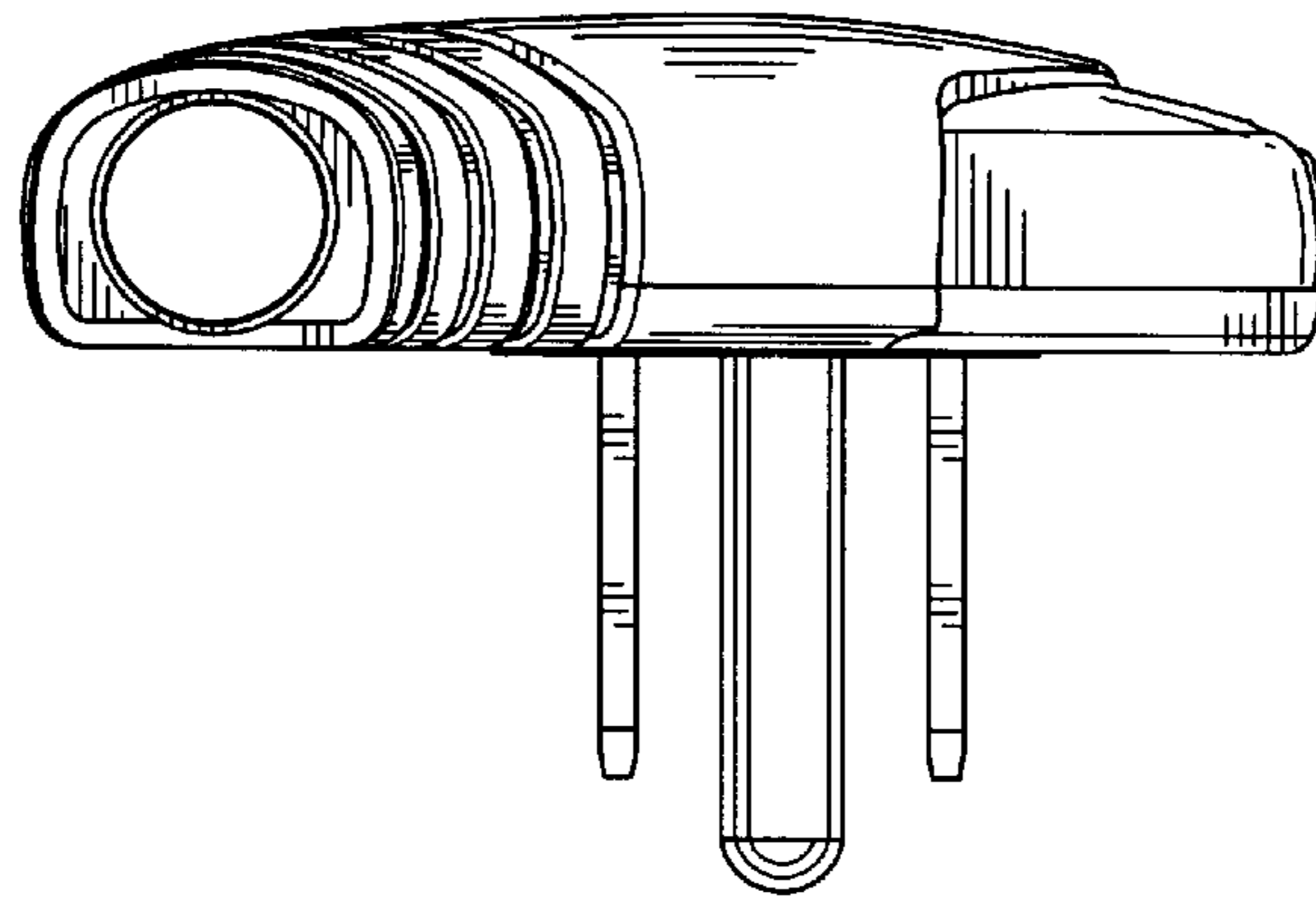


FIG. 6

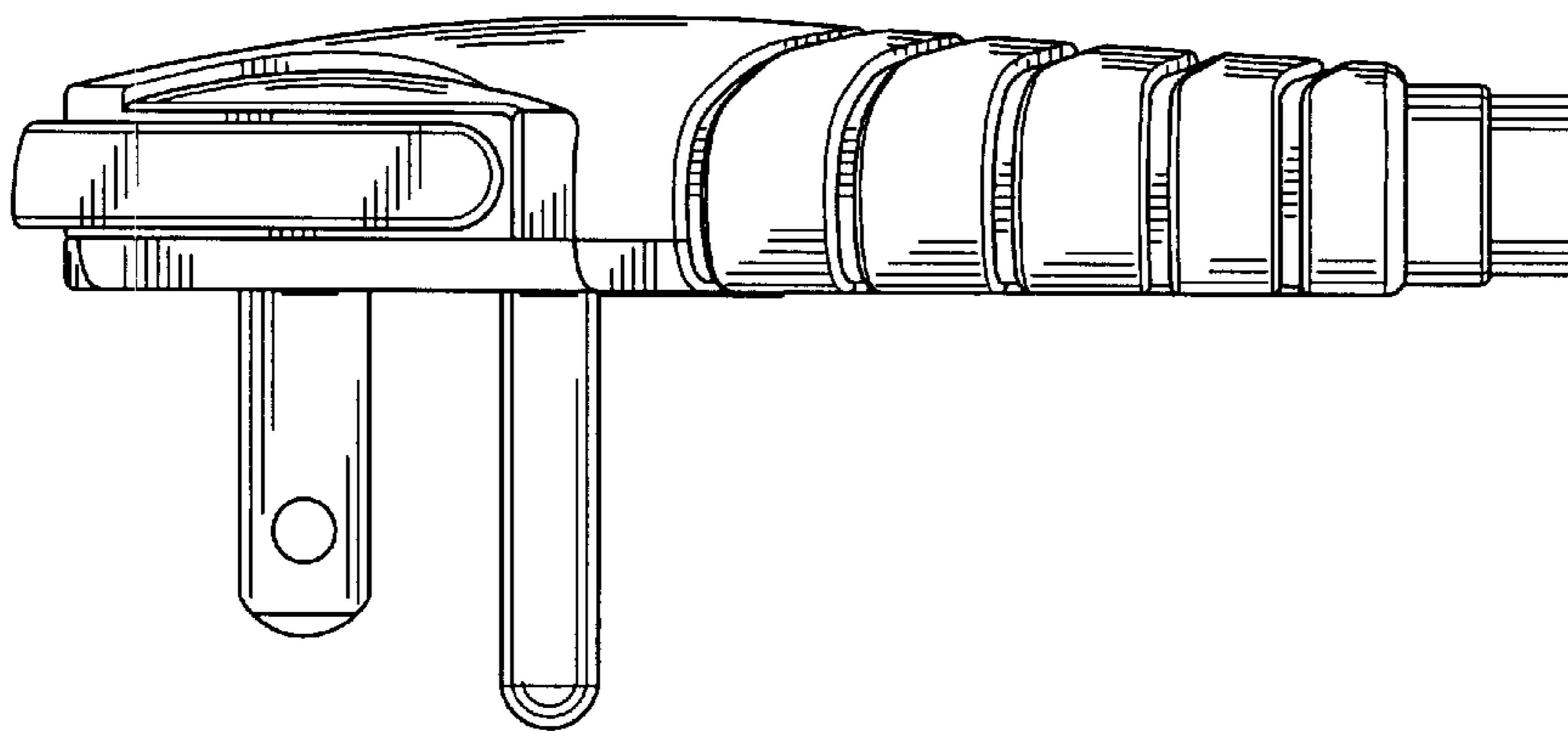


FIG. 7