



US00D533835S

(12) **United States Design Patent**  
**Lee**

(10) **Patent No.:** **US D533,835 S**  
(45) **Date of Patent:** **\*\* Dec. 19, 2006**

(54) **EARPHONE CONNECTOR**

(75) Inventor: **Yun-Chien Lee, Tu-Cheng (TW)**

(73) Assignee: **Cheng Uei Precision Industry Co., Ltd., Taipei Hsien (TW)**

(\*\*) Term: **14 Years**

(21) Appl. No.: **29/255,706**

(22) Filed: **Mar. 10, 2006**

(51) **LOC (8) Cl.** ..... **13-03**

(52) **U.S. Cl.** ..... **D13/133**

(58) **Field of Classification Search** ..... D13/133,  
D13/154, 185, 199; 439/78-79, 83, 188,  
439/567, 607, 609, 668, 669, 748, 939  
See application file for complete search history.

(56) **References Cited**

**U.S. PATENT DOCUMENTS**

6,077,126	A	*	6/2000	Peng	.....	439/668
6,312,274	B1	*	11/2001	Lin	.....	439/188
D451,472	S	*	12/2001	Suzuki	.....	D13/133
D461,770	S	*	8/2002	Ma et al.	.....	D13/133

D470,107	S	*	2/2003	Li et al.	.....	D13/133
D507,531	S	*	7/2005	Suzuki	.....	D13/133
6,923,687	B1	*	8/2005	Wang	.....	439/668
2003/0100227	A1	*	5/2003	Yeh	.....	439/668
2005/0009407	A1	*	1/2005	Wang	.....	439/668
2006/0063409	A1	*	3/2006	Wang	.....	439/188

\* cited by examiner

*Primary Examiner*—Prabhakar Deshmukh

*Assistant Examiner*—Daniel Bui

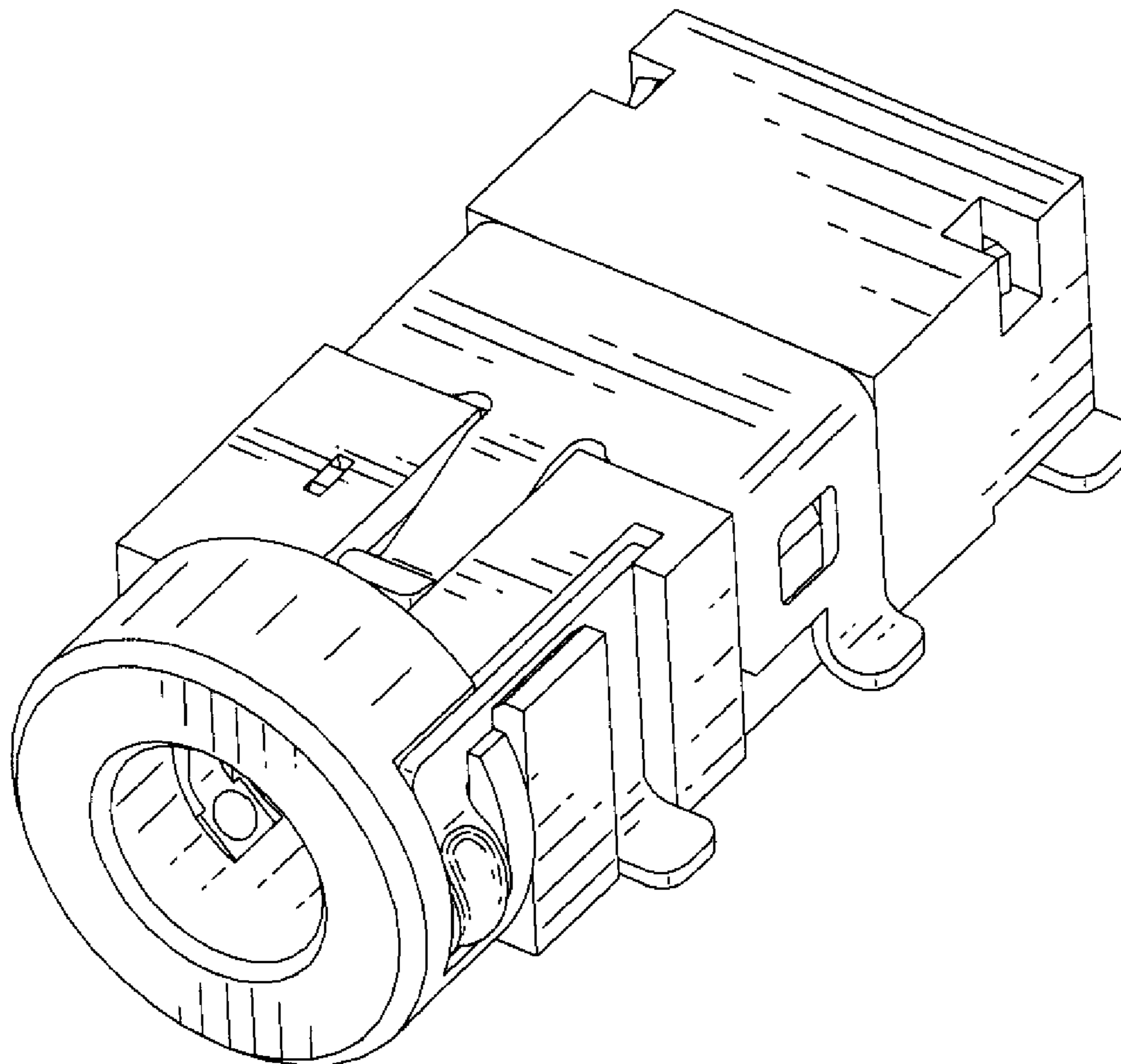
(57) **CLAIM**

The ornamental design for an earphone connector, as shown and described.

**DESCRIPTION**

FIG. 1 is a perspective view of an earphone connector showing my new design; FIG. 2 is a front elevational view thereof; FIG. 3 is a rear elevational view thereof; FIG. 4 is a left side elevational view thereof; FIG. 5 is a right side elevational view thereof; FIG. 6 is a top plan view thereof; and, FIG. 7 is a bottom plan view thereof.

**1 Claim, 7 Drawing Sheets**



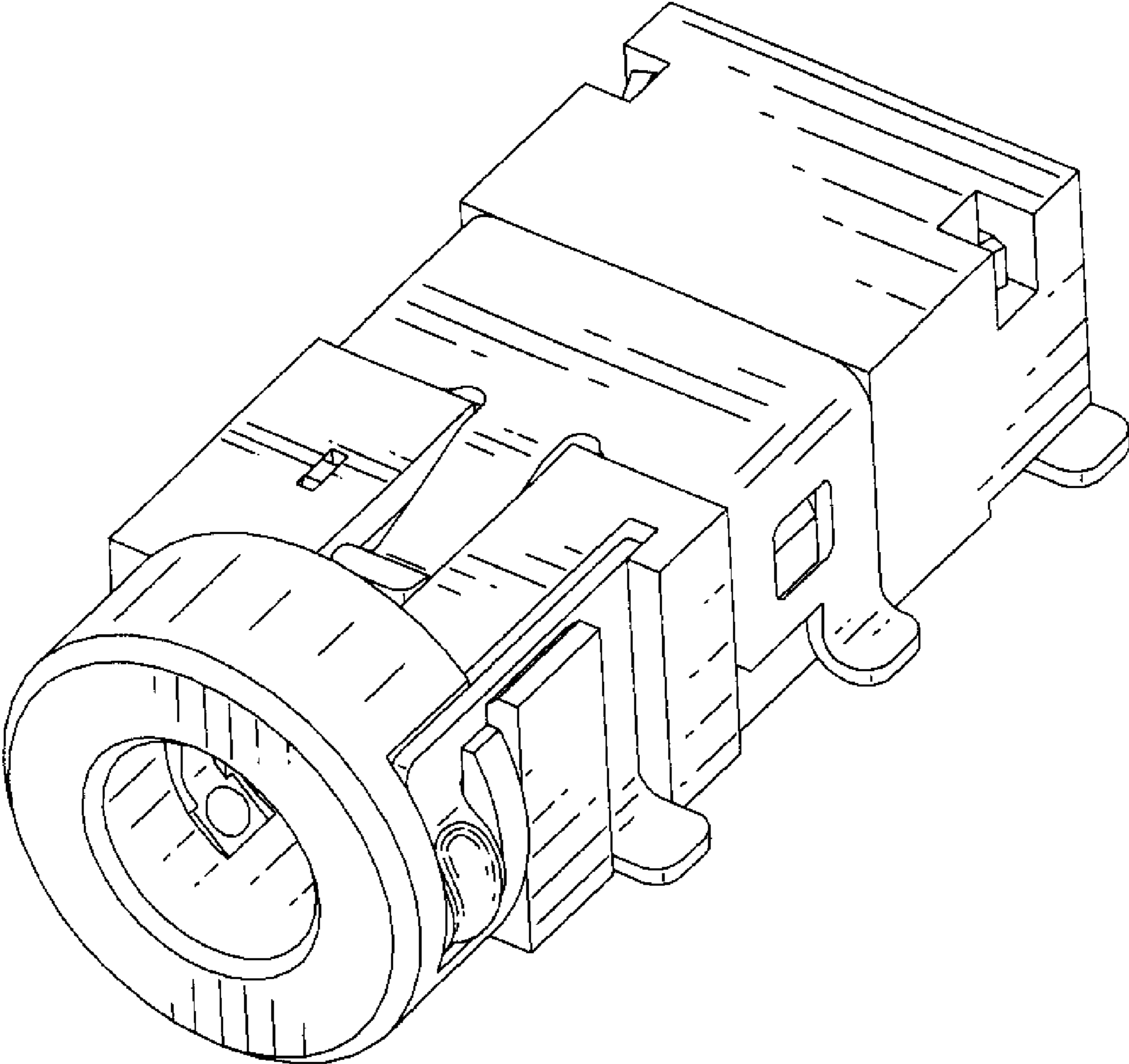


FIG. 1

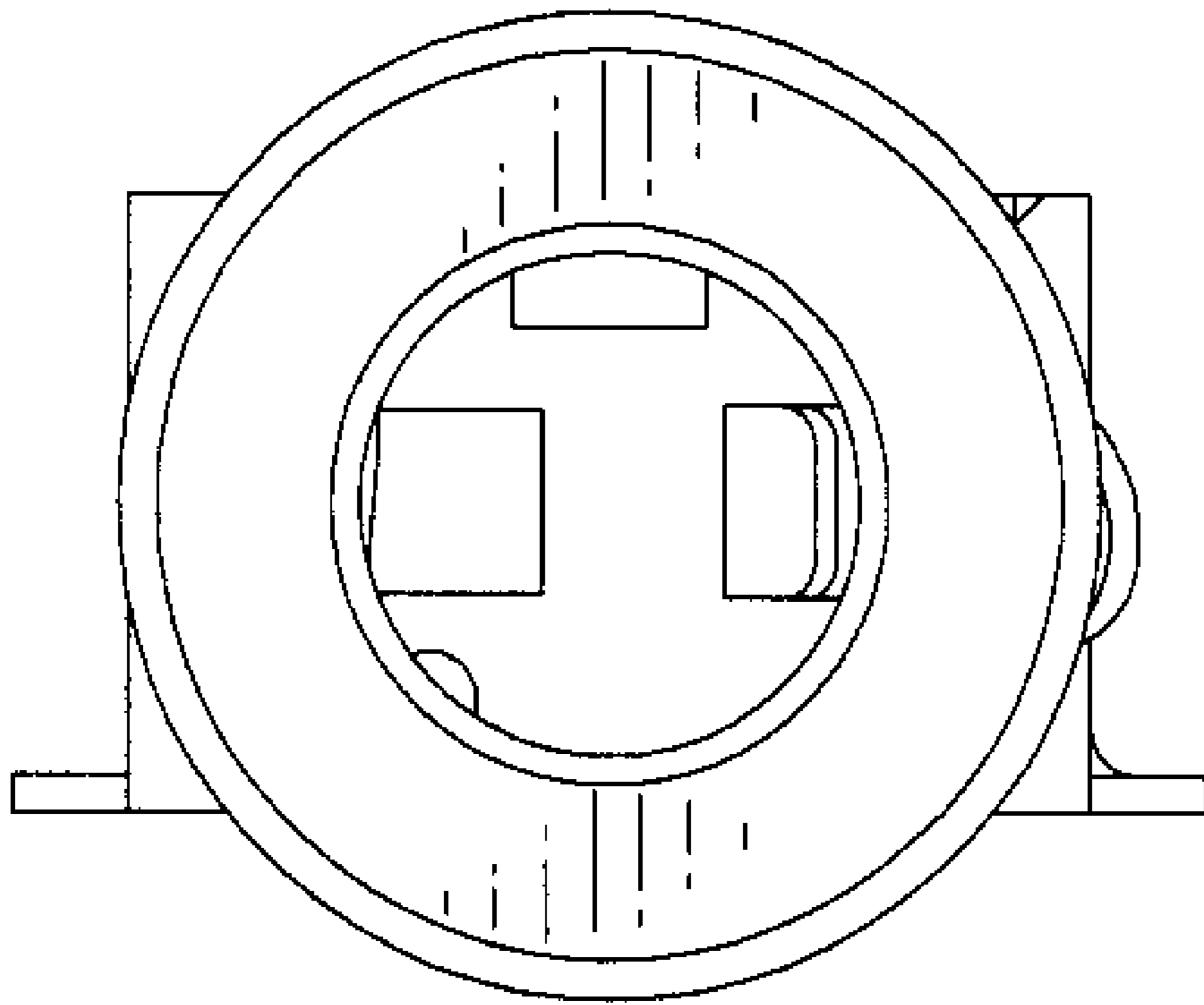


FIG. 2

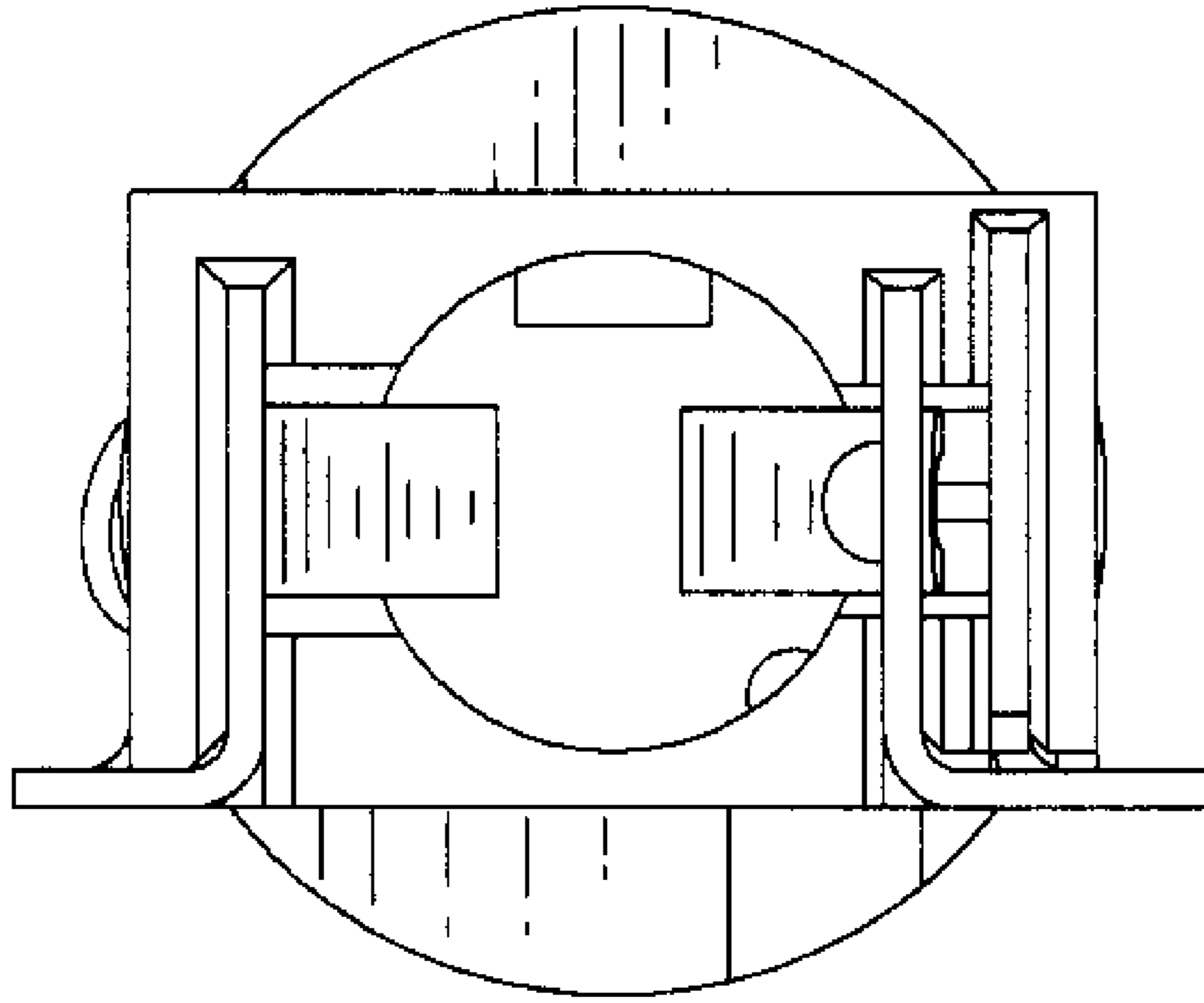


FIG. 3

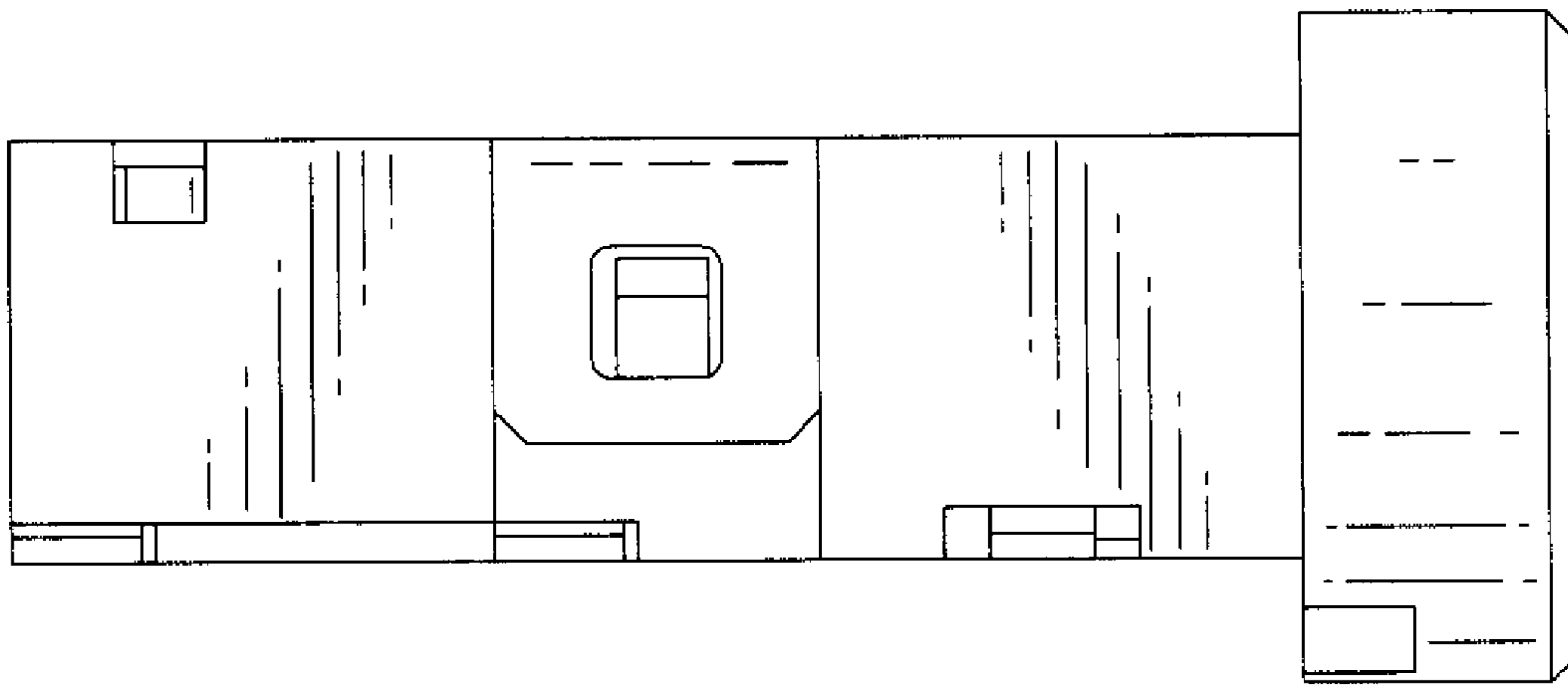


FIG. 4

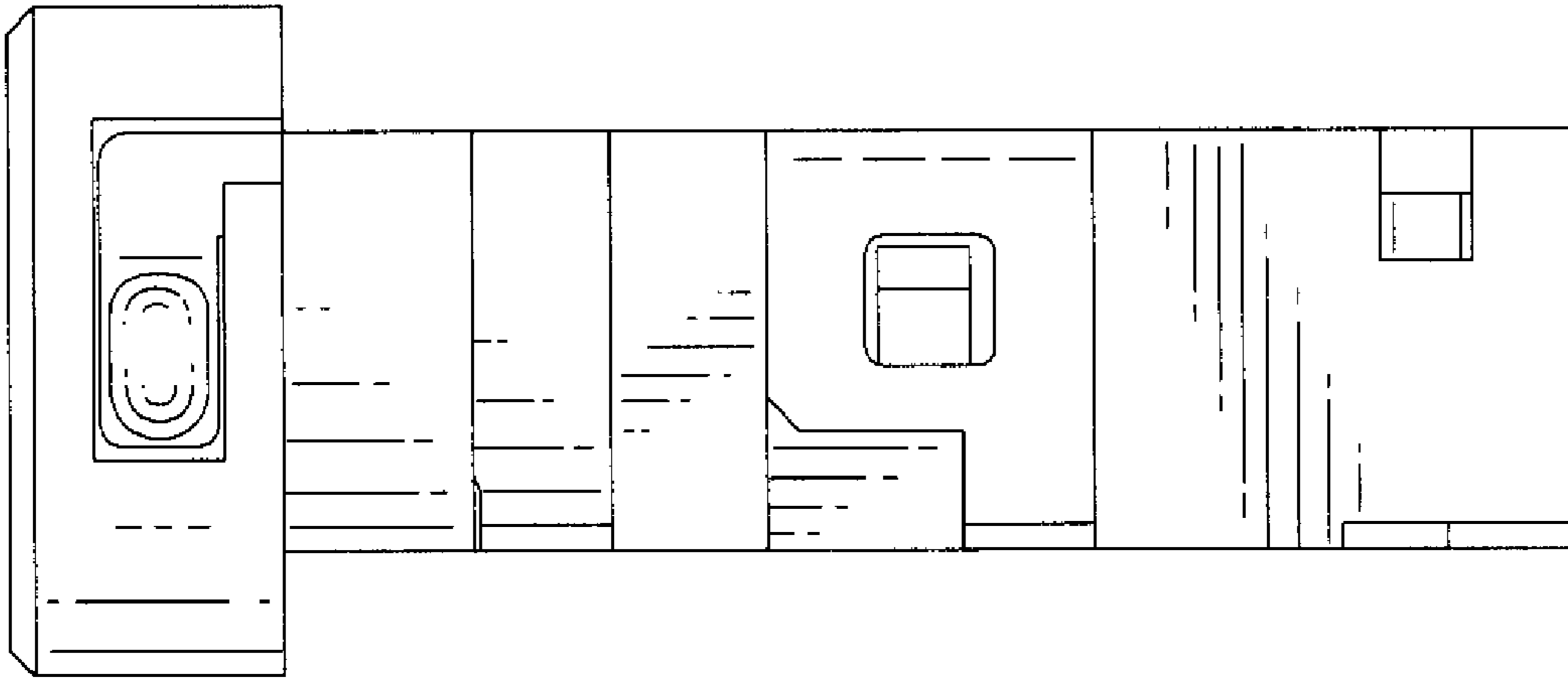


FIG. 5

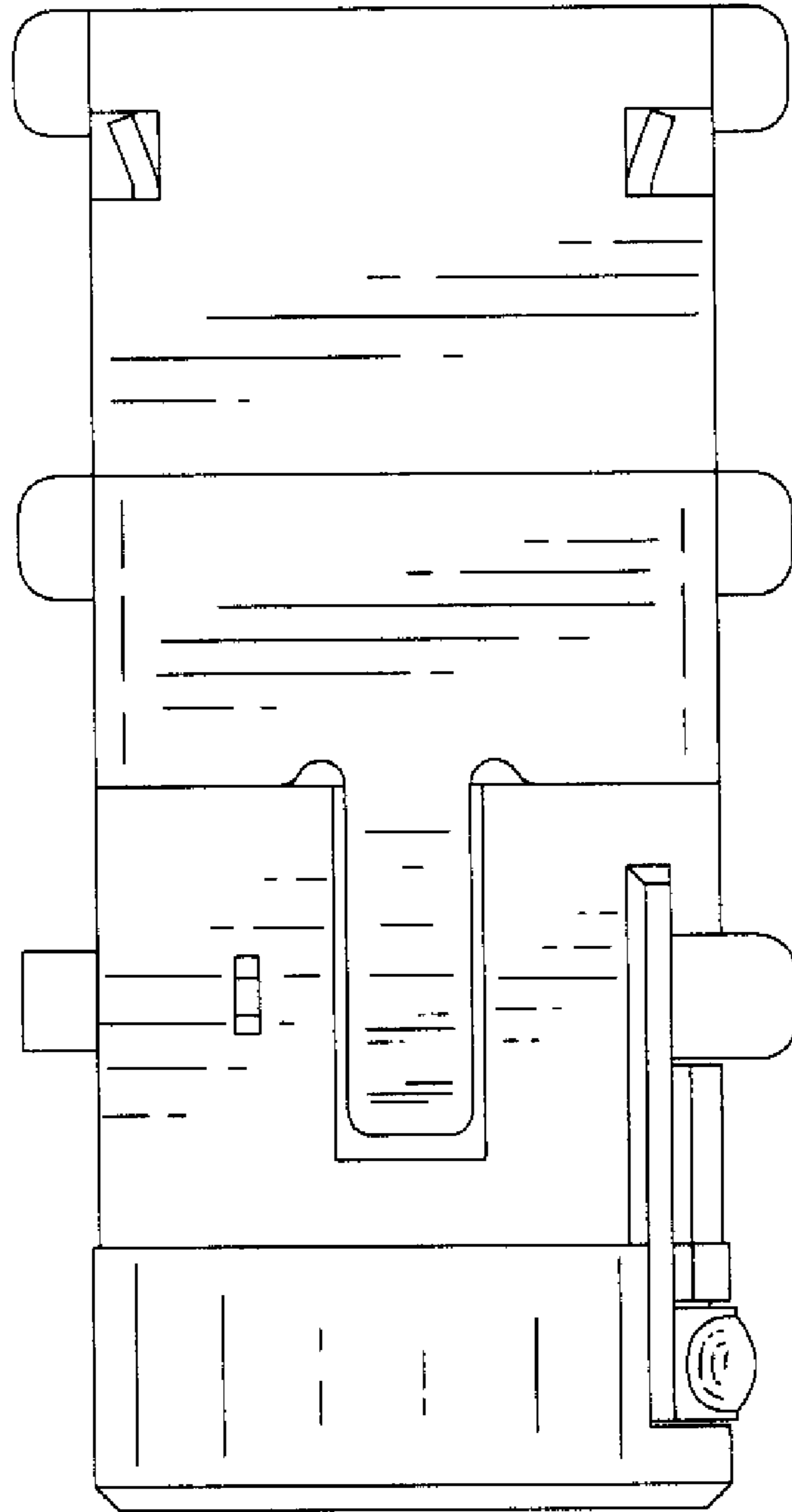


FIG. 6

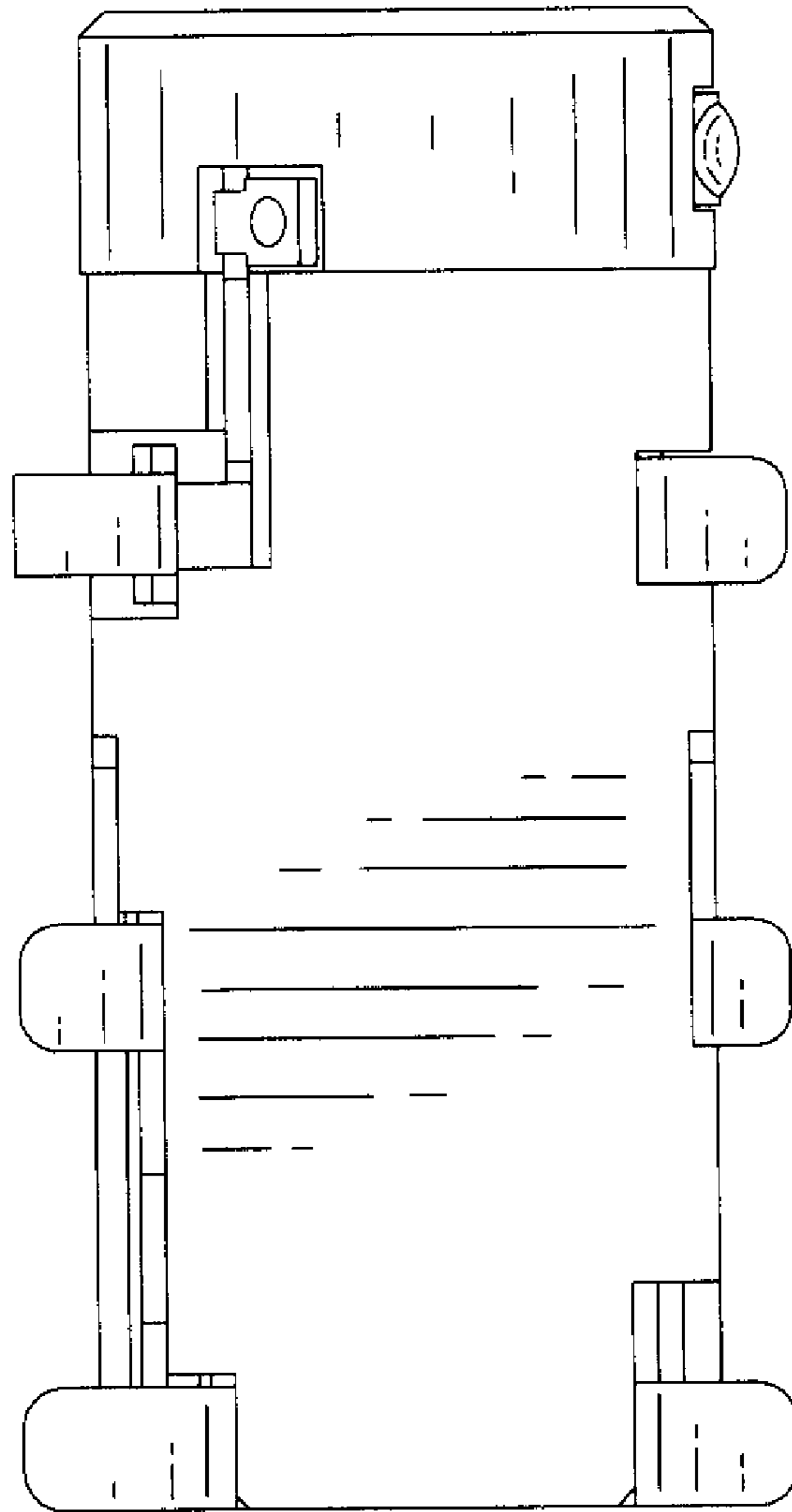


FIG. 7