



US00D533834S

(12) **United States Design Patent** (10) **Patent No.:** **US D533,834 S**  
**Liu** (45) **Date of Patent:** **\*\* Dec. 19, 2006**

(54) **USB BASE**

(75) Inventor: **Calvin Y. Liu**, Irvine, CA (US)

(73) Assignee: **Cisco Technology, Inc.**, San Jose, CA (US)

(\*\*) Term: **14 Years**

(21) Appl. No.: **29/207,382**

(22) Filed: **Jun. 14, 2004**

(51) **LOC (8) Cl.** ..... **13-03**

(52) **U.S. Cl.** ..... **D13/133; D13/147**

(58) **Field of Classification Search** ..... D13/123,  
D13/133, 146-147, 153-154, 184, 199; D14/240,  
D14/432-433; 439/352-353, 358, 445, 455,  
439/638, 607-610, 660, 676, 680-682, 894,  
439/945

See application file for complete search history.

(56) **References Cited**

**U.S. PATENT DOCUMENTS**

D375,909 S \* 11/1996 Dziarsk et al. .... D10/106  
D391,944 S \* 3/1998 Han ..... D14/356  
5,793,352 A \* 8/1998 Greenberg et al. .... 345/699  
D415,534 S \* 10/1999 Ashida ..... D21/332  
D415,998 S \* 11/1999 Brown et al. .... D13/154

D479,706 S \* 9/2003 Fukasawa et al. .... D13/133  
6,688,917 B1 \* 2/2004 Ushio et al. .... 439/638  
D510,091 S \* 9/2005 Mori et al. .... D14/434  
2003/0216060 A1 \* 11/2003 Oh-Yang ..... 439/42

\* cited by examiner

*Primary Examiner*—Stella Reid  
*Assistant Examiner*—Daniel Bui

(74) *Attorney, Agent, or Firm*—MacPherson Kwok Chen & Heid LLP; Tom Chen

(57) **CLAIM**

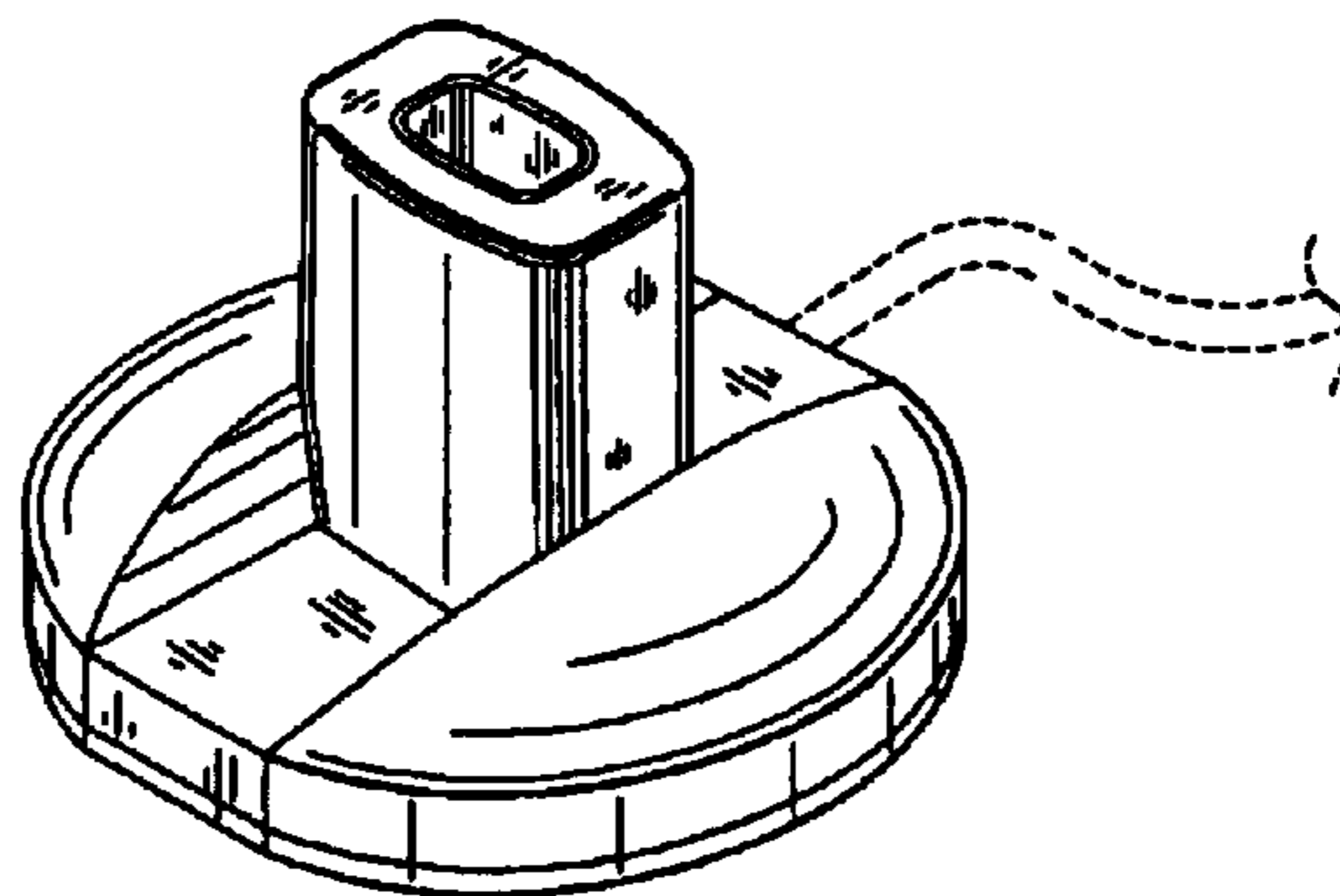
The ornamental design for a USB base, as shown and described.

**DESCRIPTION**

FIG. 1 is a top, front and right side perspective view of a USB base, showing my new design;  
FIG. 2 is a front elevation view thereof;  
FIG. 3 is a right side elevation view thereof; the left side elevation view is a mirror image thereto;  
FIG. 4 is a back elevation view thereof;  
FIG. 5 is a top plan view thereof; and,  
FIG. 6 is a bottom plan view thereof.

The broken line showing of the environment is for illustrative purposes only and forms no part of the claimed design.

**1 Claim, 1 Drawing Sheet**



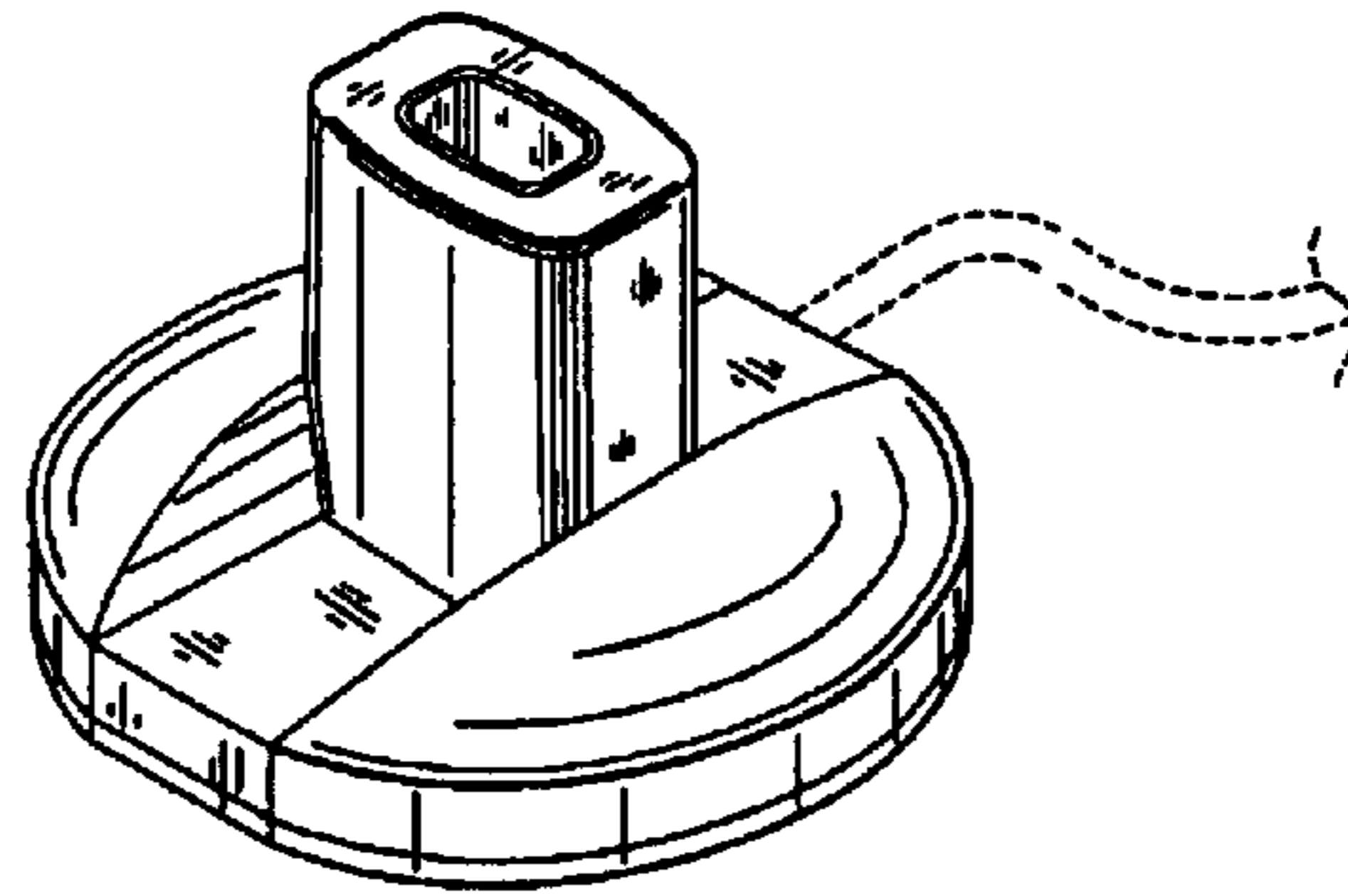


FIG. 1

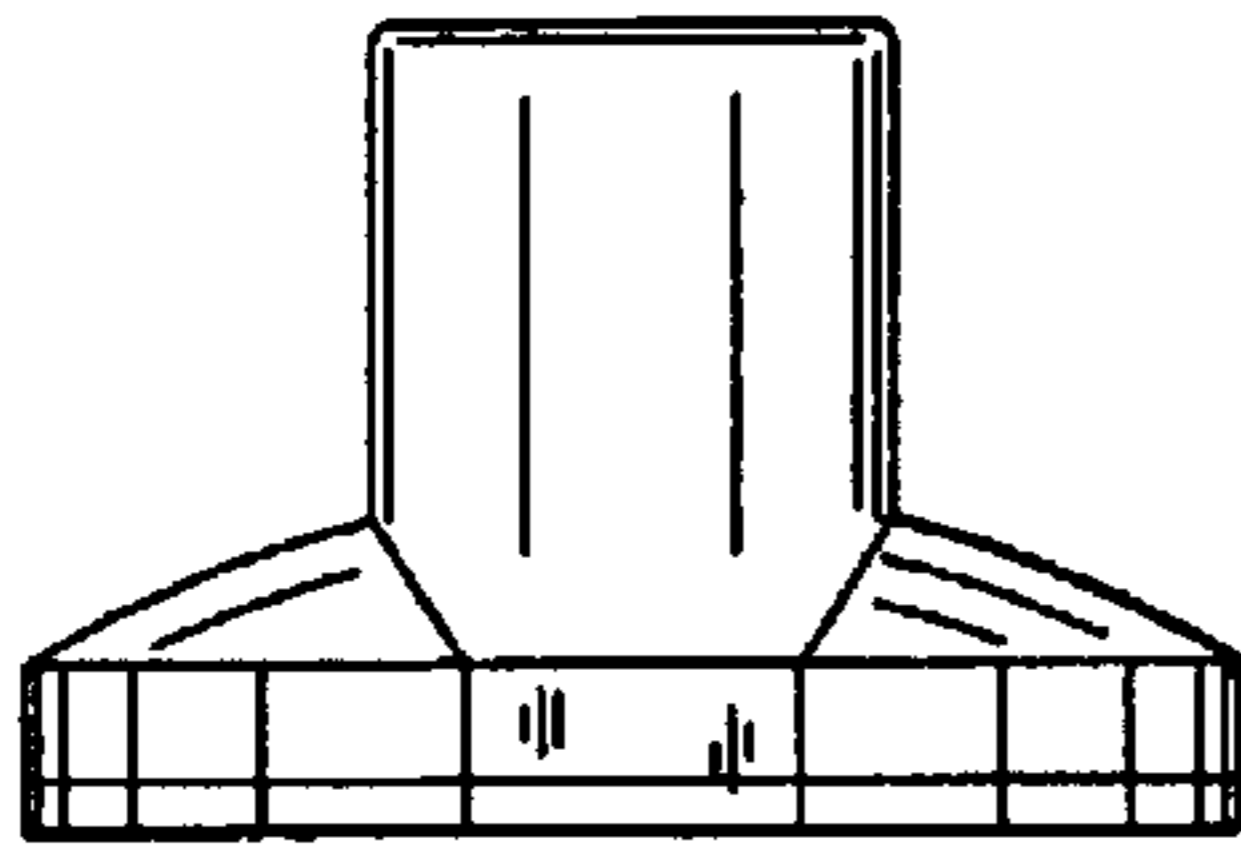


FIG. 2

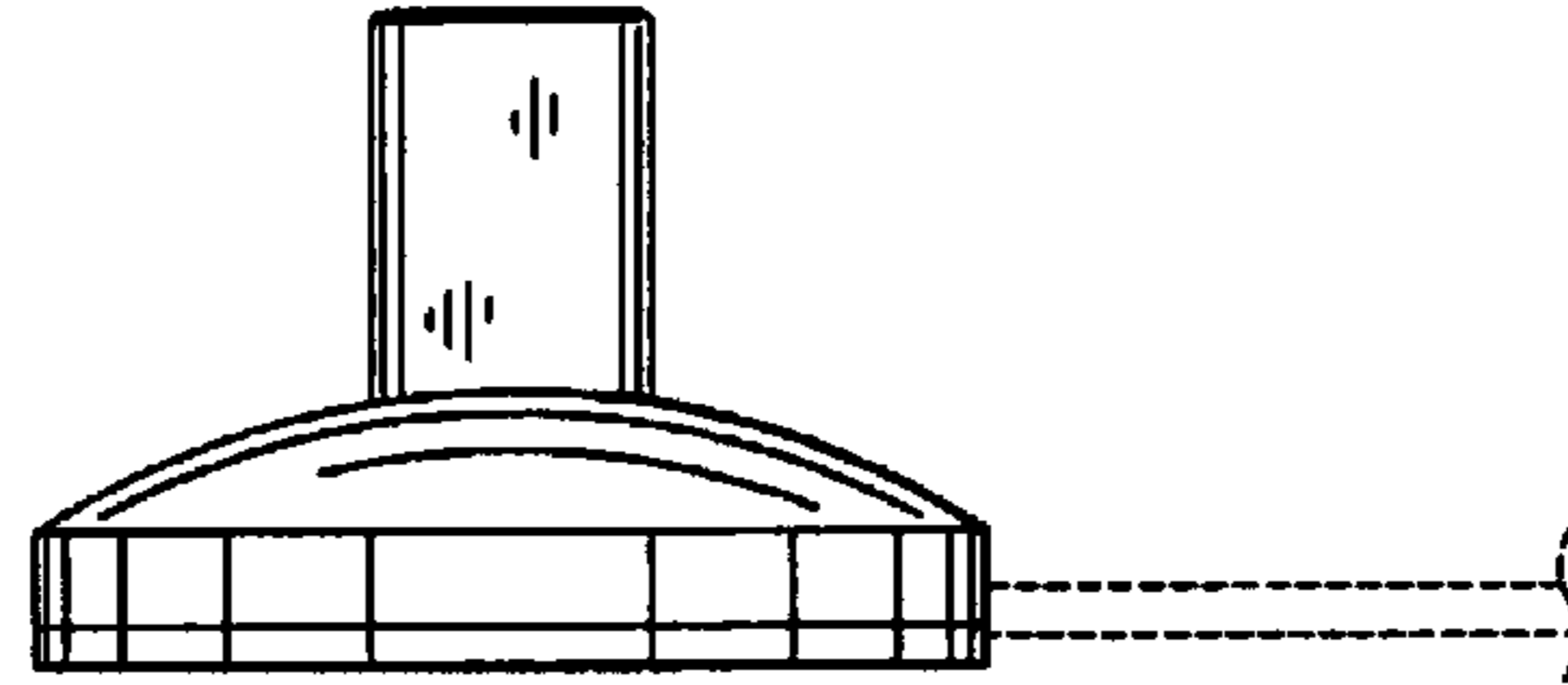


FIG. 3

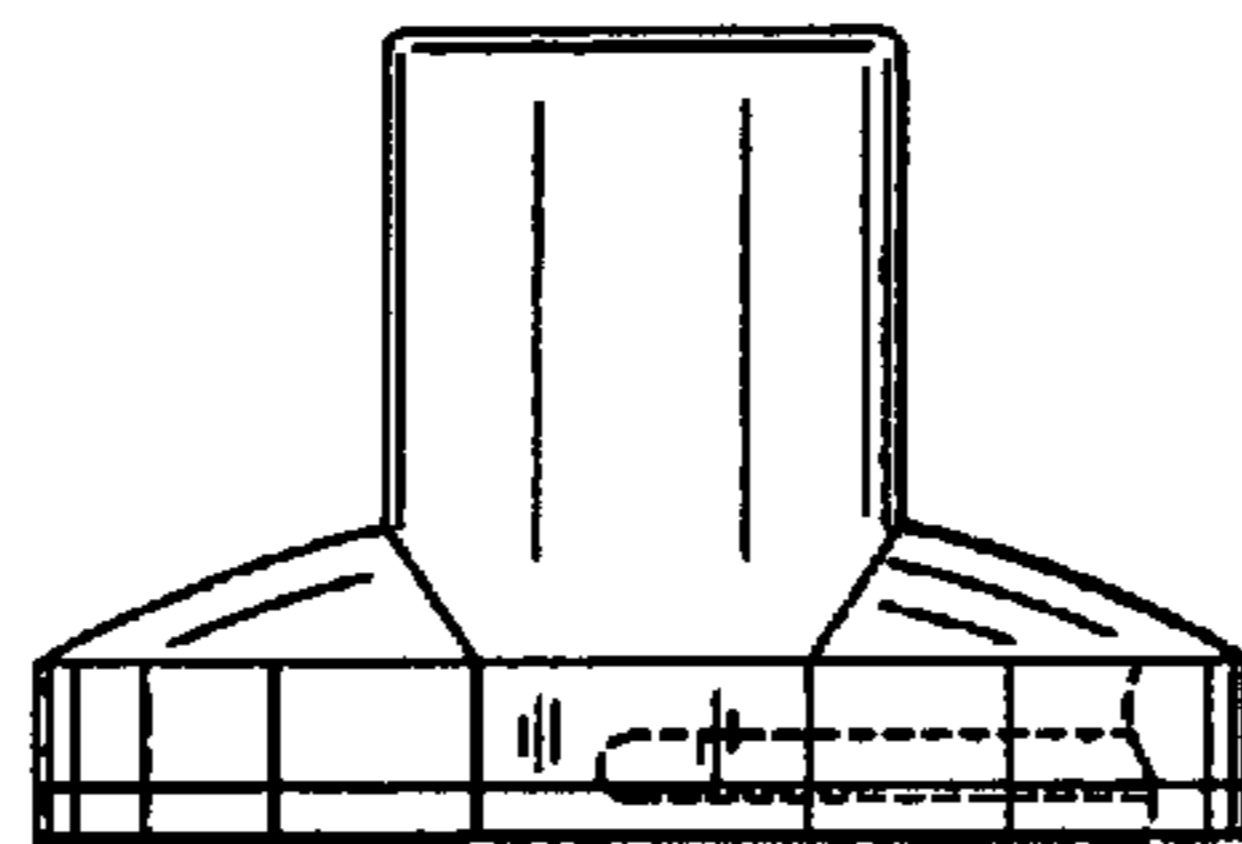


FIG. 4

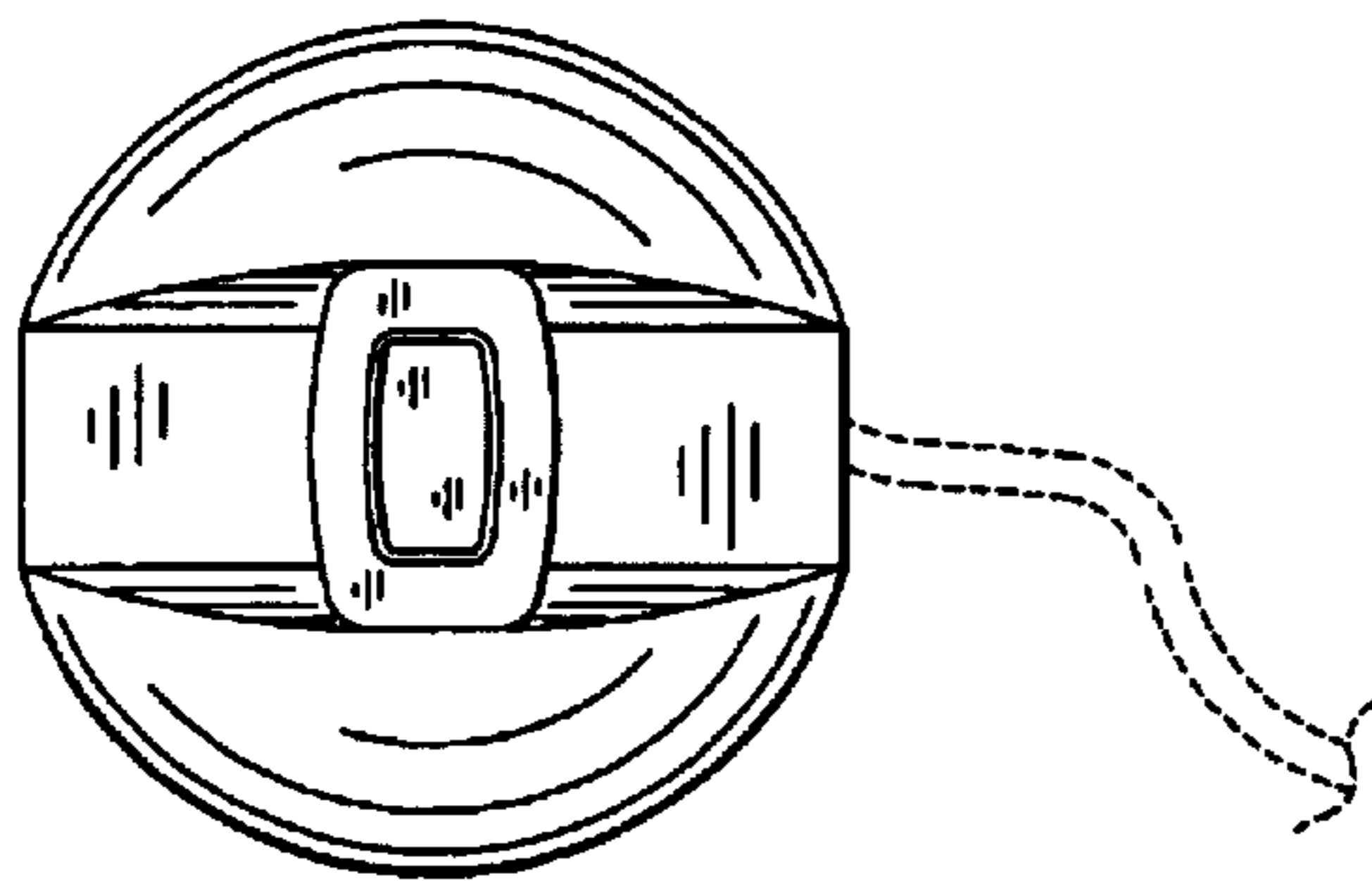


FIG. 5

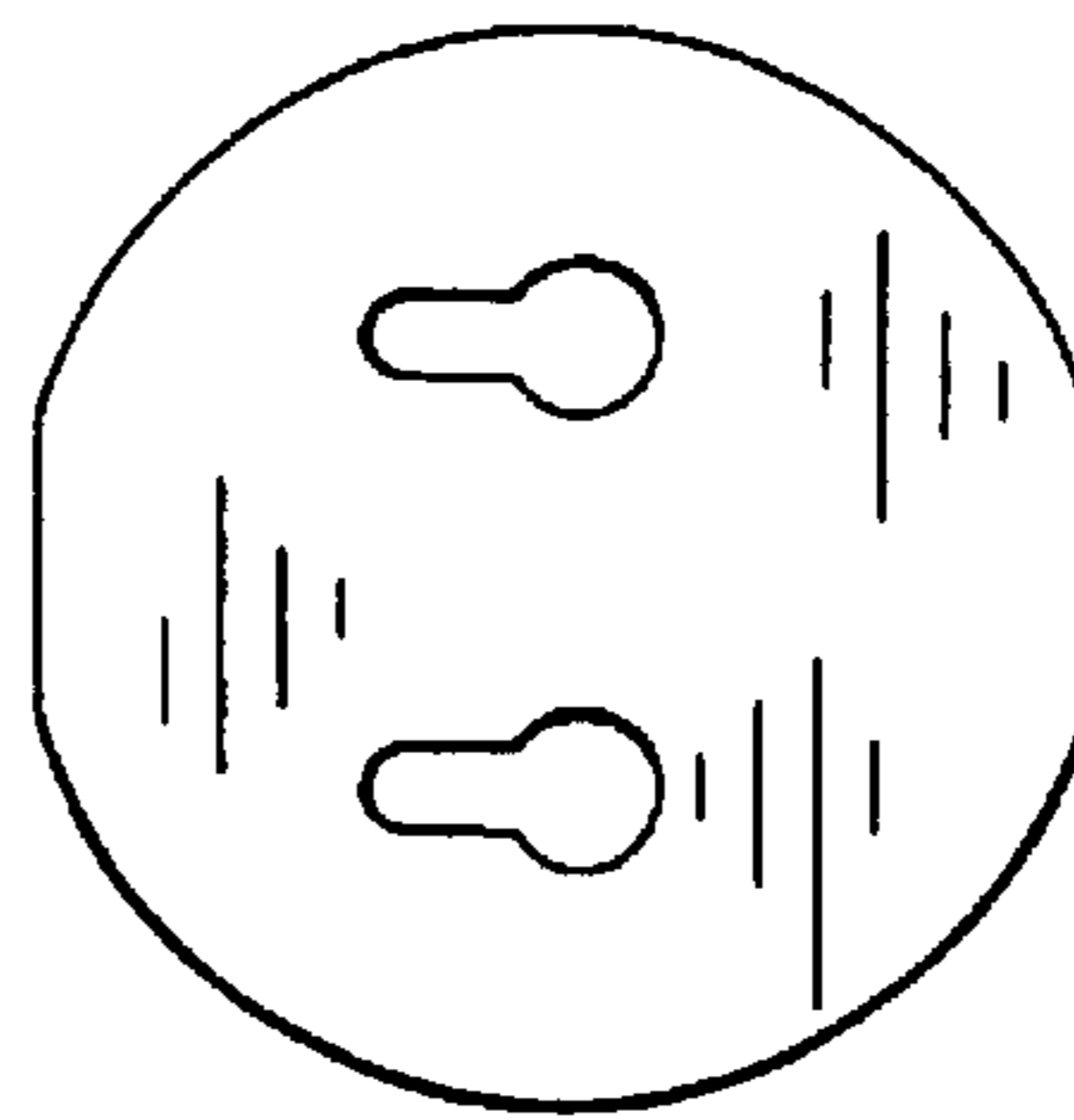


FIG. 6