



US00D533833S

(12) **United States Design Patent**
Sakai et al.

(10) **Patent No.:** **US D533,833 S**

(45) **Date of Patent:** **** Dec. 19, 2006**

(54) **DOUBLE-REDUCTION RECLINING MOTOR**

(75) Inventors: **Hiroshi Sakai**, Yokohama (JP);
Daisuke Tanaka, Yokohama (JP);
Kazuhiro Wada, Yokohama (JP)

(73) Assignee: **Jidosha Denki Kogyo, Ltd.**, Kanagawa (JP)

(**) Term: **14 Years**

(21) Appl. No.: **29/222,917**

(22) Filed: **Feb. 7, 2005**

(30) **Foreign Application Priority Data**

Nov. 15, 2004 (JP) 2004-034855

(51) **LOC (8) Cl.** **13-01**

(52) **U.S. Cl.** **D13/122**

(58) **Field of Classification Search** D13/122,
D13/101, 112, 119, 199; 74/425-427; 297/330,
297/361.1, 362, 362.11; 310/68, 80, 98, 102 R
See application file for complete search history.

(56) **References Cited**

U.S. PATENT DOCUMENTS

D194,910 S * 4/1963 Rutledge et al. D13/112
4,742,726 A * 5/1988 Adam et al. 74/425
4,935,652 A * 6/1990 Maxa 310/68 B

5,199,764 A * 4/1993 Robinson 297/362.11
5,794,480 A * 8/1998 Schonsteiner 74/425
D451,072 S * 11/2001 Kerdjoudj et al. D13/122
6,404,084 B1 * 6/2002 Niki et al. 310/75 R
2001/0026105 A1 * 10/2001 Torii et al. 310/75 R
2002/0121151 A1 * 9/2002 Kraus et al. 74/425
2003/0001448 A1 * 1/2003 Kaeuffl et al. 310/91

* cited by examiner

Primary Examiner—Phabhakar Deshmukh

Assistant Examiner—Derrick Holland

(74) *Attorney, Agent, or Firm*—Sughrue Mion, PLLC

(57) **CLAIM**

The ornamental design for a double-reduction reclining motor, as shown.

DESCRIPTION

FIG. 1 is a perspective view of the top, front, and left sides of a double-reduction reclining motor showing our new design;

FIG. 2 is a front elevational view thereof;

FIG. 3 is a rear elevational view thereof;

FIG. 4 is a top plan view thereof;

FIG. 5 is a bottom plan view thereof;

FIG. 6 is a right side elevational view thereof; and,

FIG. 7 is a left side elevational view thereof.

1 Claim, 5 Drawing Sheets

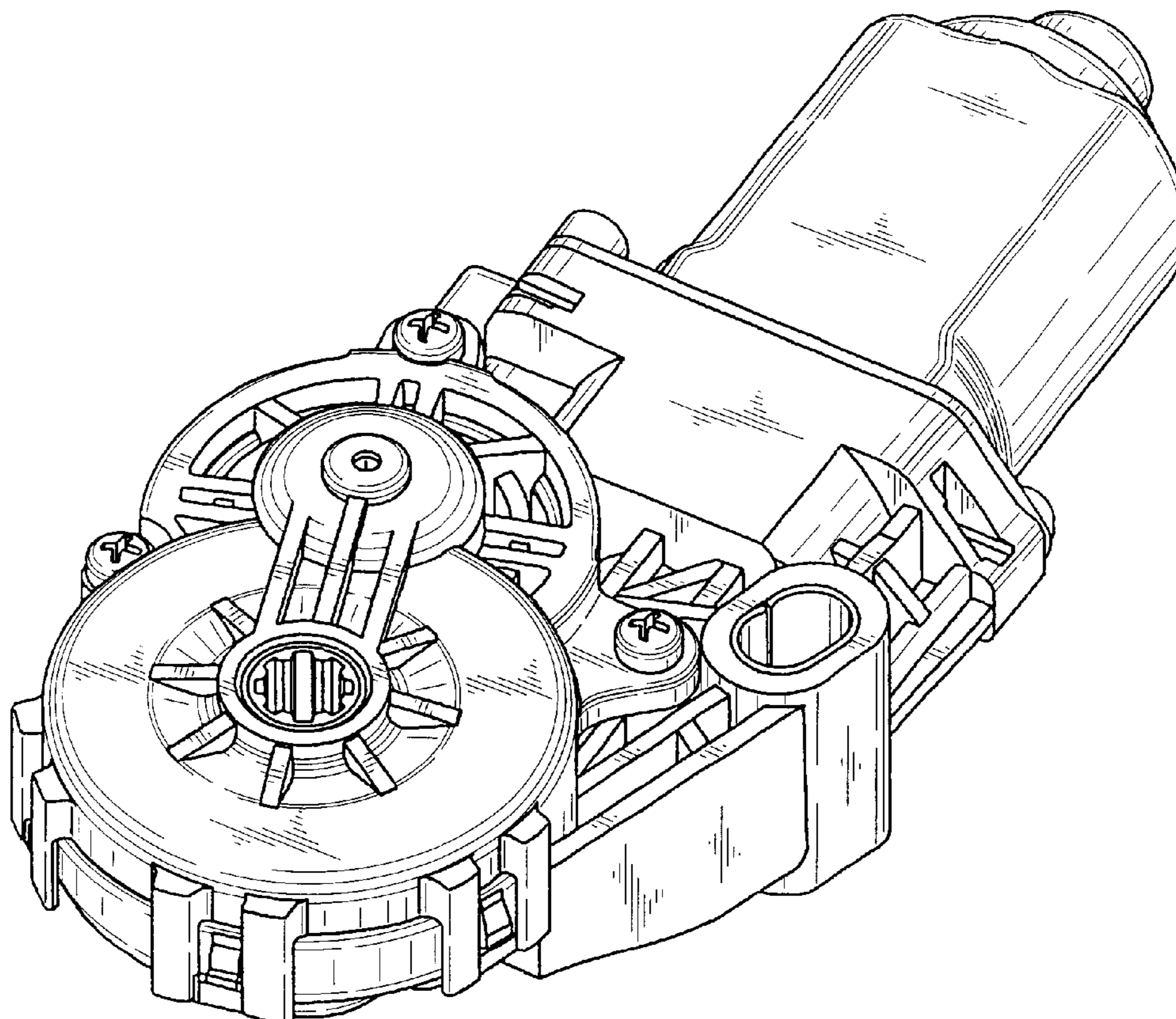


FIG. 1

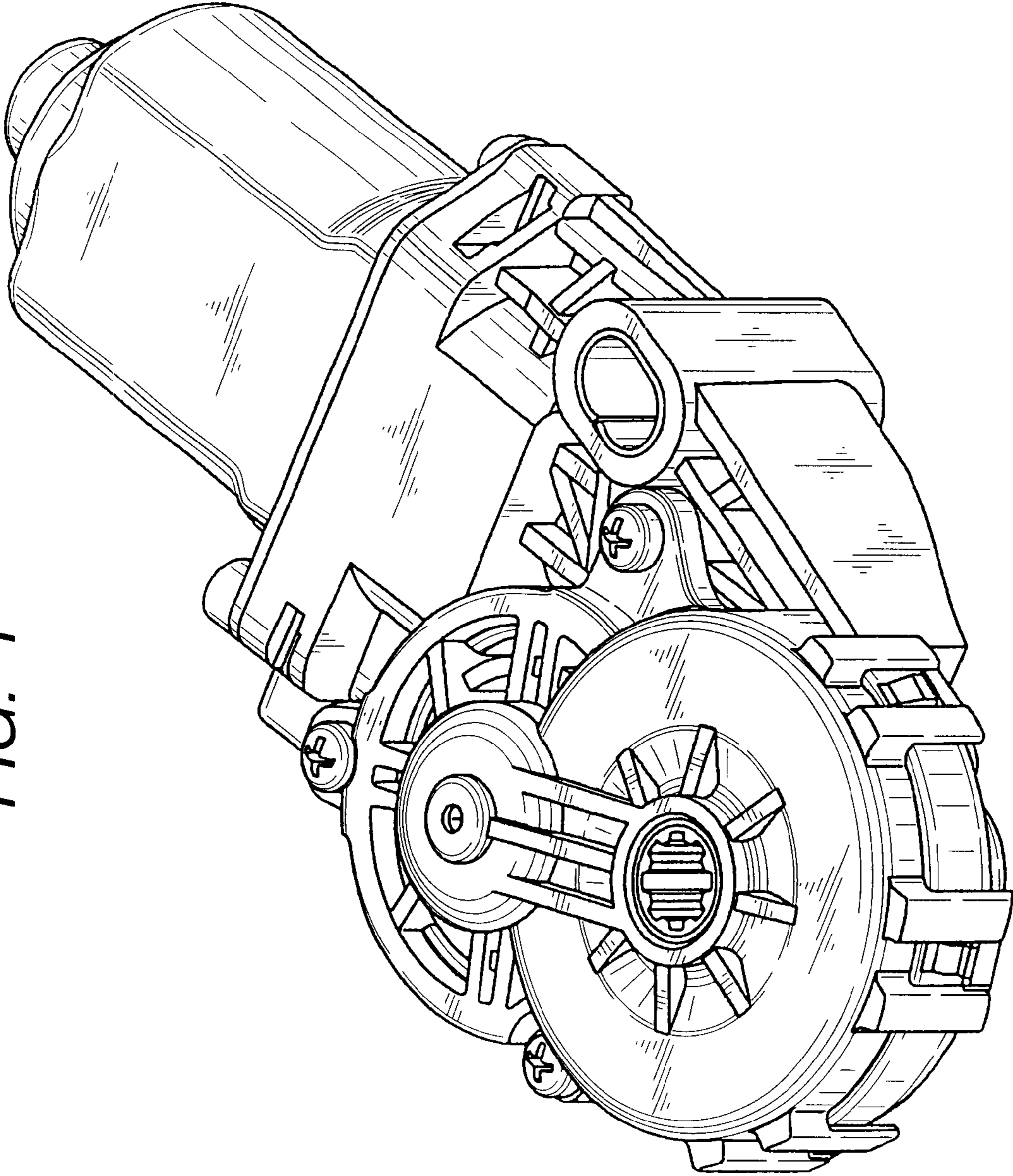


FIG. 2

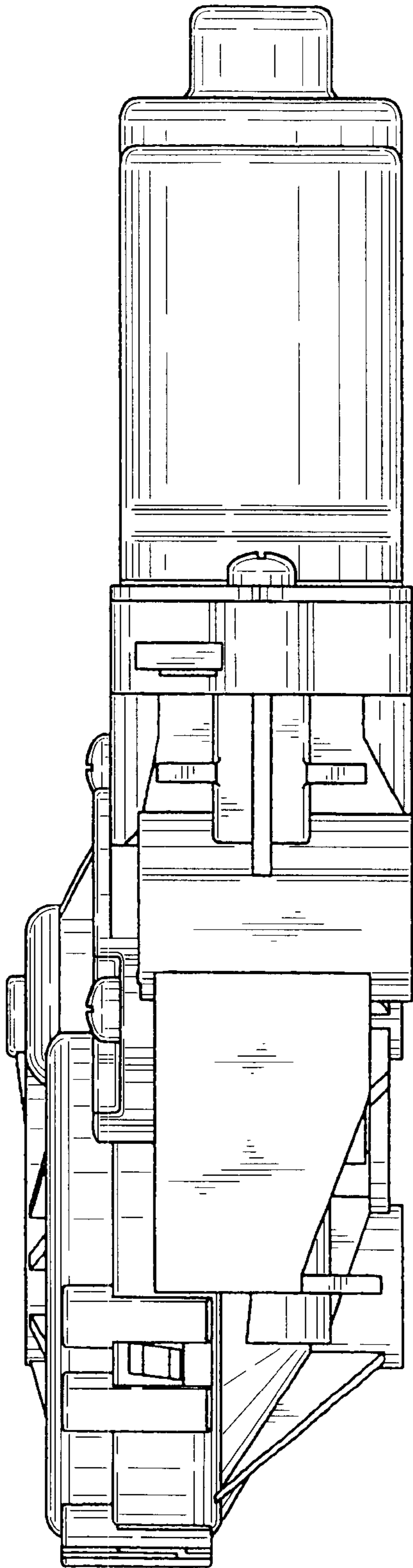


FIG. 3

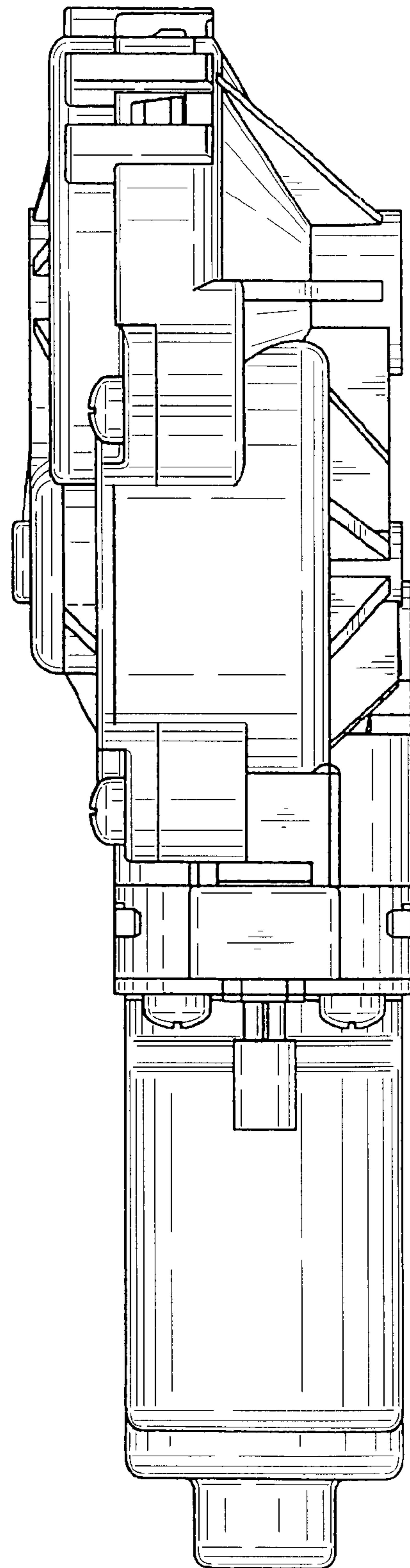


FIG. 4

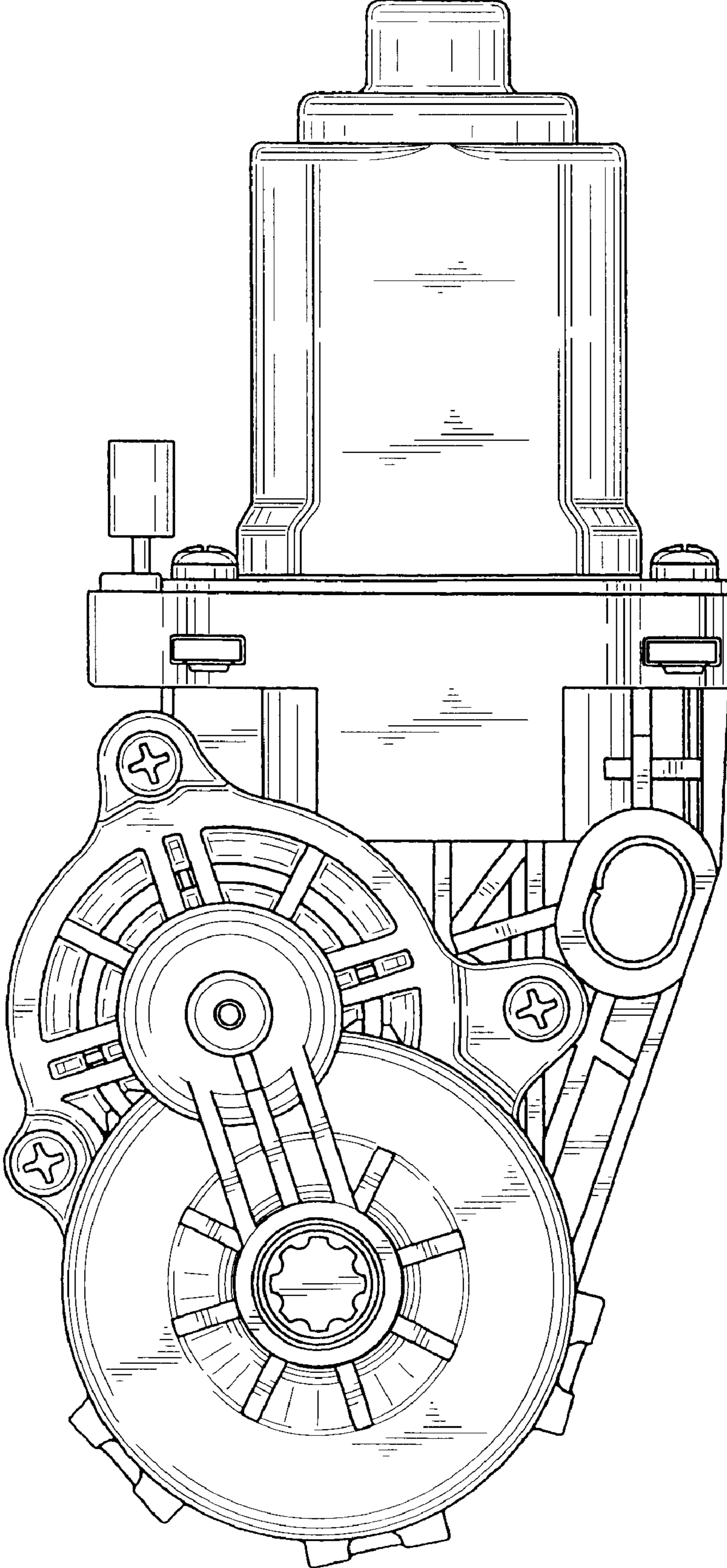


FIG. 5

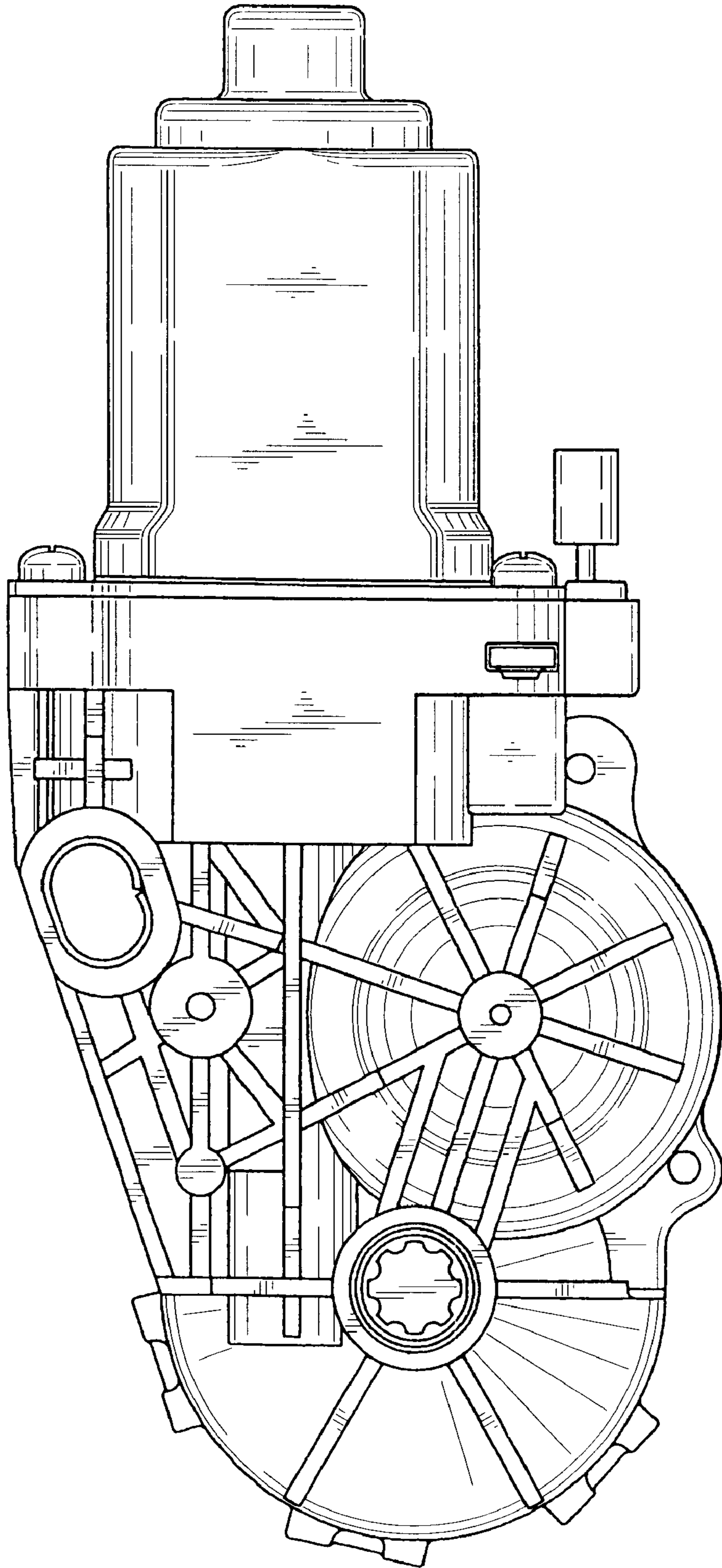


FIG. 6

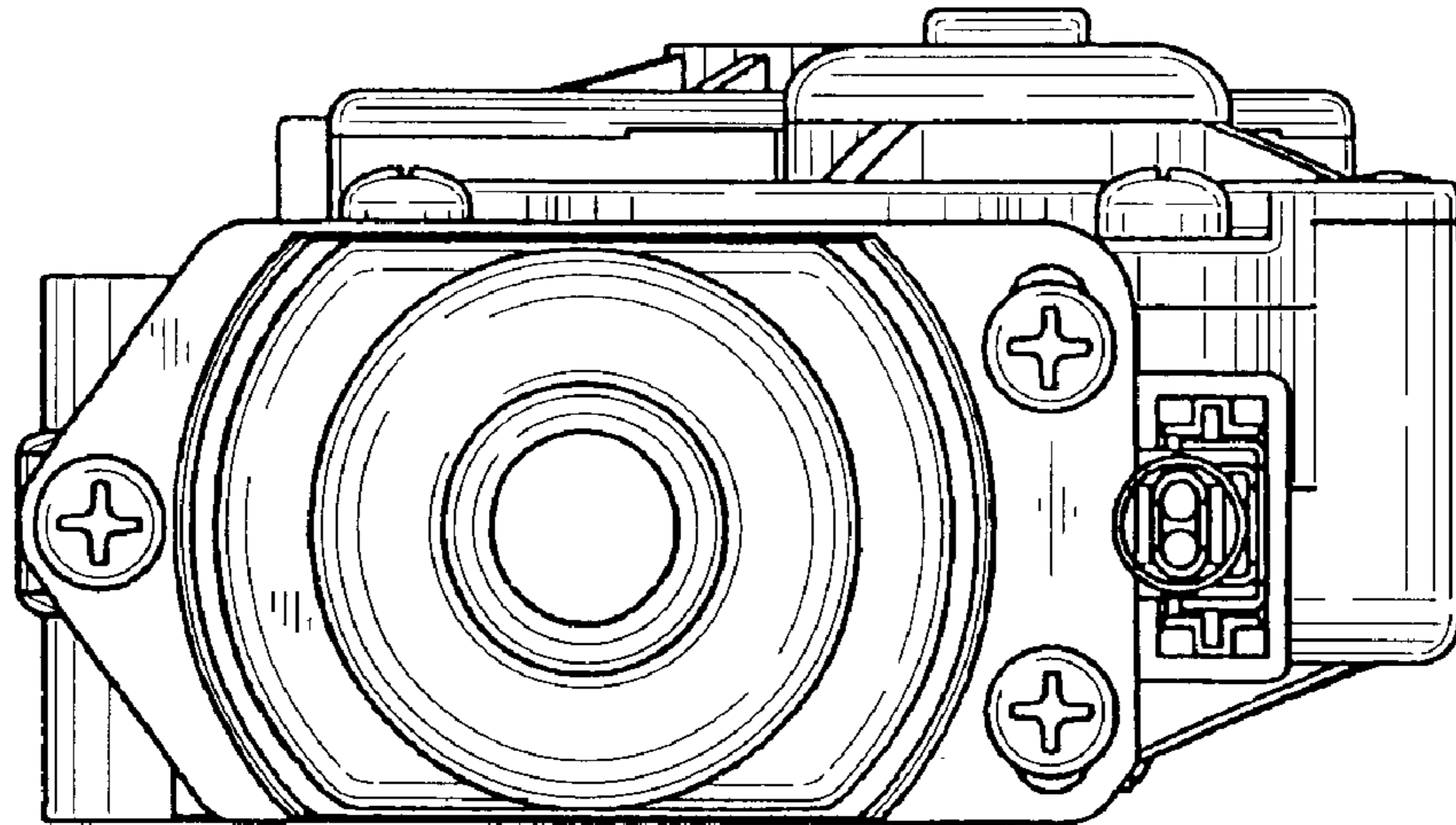


FIG. 7

