



US00D533831S

(12) **United States Design Patent**
Kim

(10) **Patent No.:** **US D533,831 S**

(45) **Date of Patent:** **** Dec. 19, 2006**

(54) **BATTERY FOR PROJECTOR**

(75) Inventor: **Kyoung-Hoon Kim**, Seoul (KR)

(73) Assignee: **Samsung Electronics Co., Ltd.**,
Kyunggi-do (KR)

(**) Term: **14 Years**

(21) Appl. No.: **29/243,949**

(22) Filed: **Dec. 2, 2005**

(51) **LOC (8) Cl.** **13-02**

(52) **U.S. Cl.** **D13/103**

(58) **Field of Classification Search** D13/102-106,
D13/110, 118-119, 18; 429/96-100, 163,
429/176

See application file for complete search history.

(56) **References Cited**

U.S. PATENT DOCUMENTS

D229,195 S	*	11/1973	Goodale et al.	D13/103
D303,524 S	*	9/1989	Siegner et al.	D14/438
D375,937 S	*	11/1996	Mergenthaler et al.	D13/110
D380,475 S	*	7/1997	Rasmussen	D14/240
D400,512 S	*	11/1998	Korhonen	D13/184
D402,641 S	*	12/1998	Heijnen	D13/184

D411,201 S	*	6/1999	Munoz	D14/217
D431,230 S	*	9/2000	Began	D13/184
D439,877 S	*	4/2001	Vacheron et al.	D13/103
D444,448 S	*	7/2001	Robinson et al.	D13/103
D506,065 S	*	6/2005	Sugino et al.	D3/294
D519,922 S	*	5/2006	Andre et al.	D13/110

* cited by examiner

Primary Examiner—Alan P. Douglas

Assistant Examiner—Rosemary K. Tarcza

(74) *Attorney, Agent, or Firm*—Flynn, Thiel, Boutell &
Tanis, P.C.

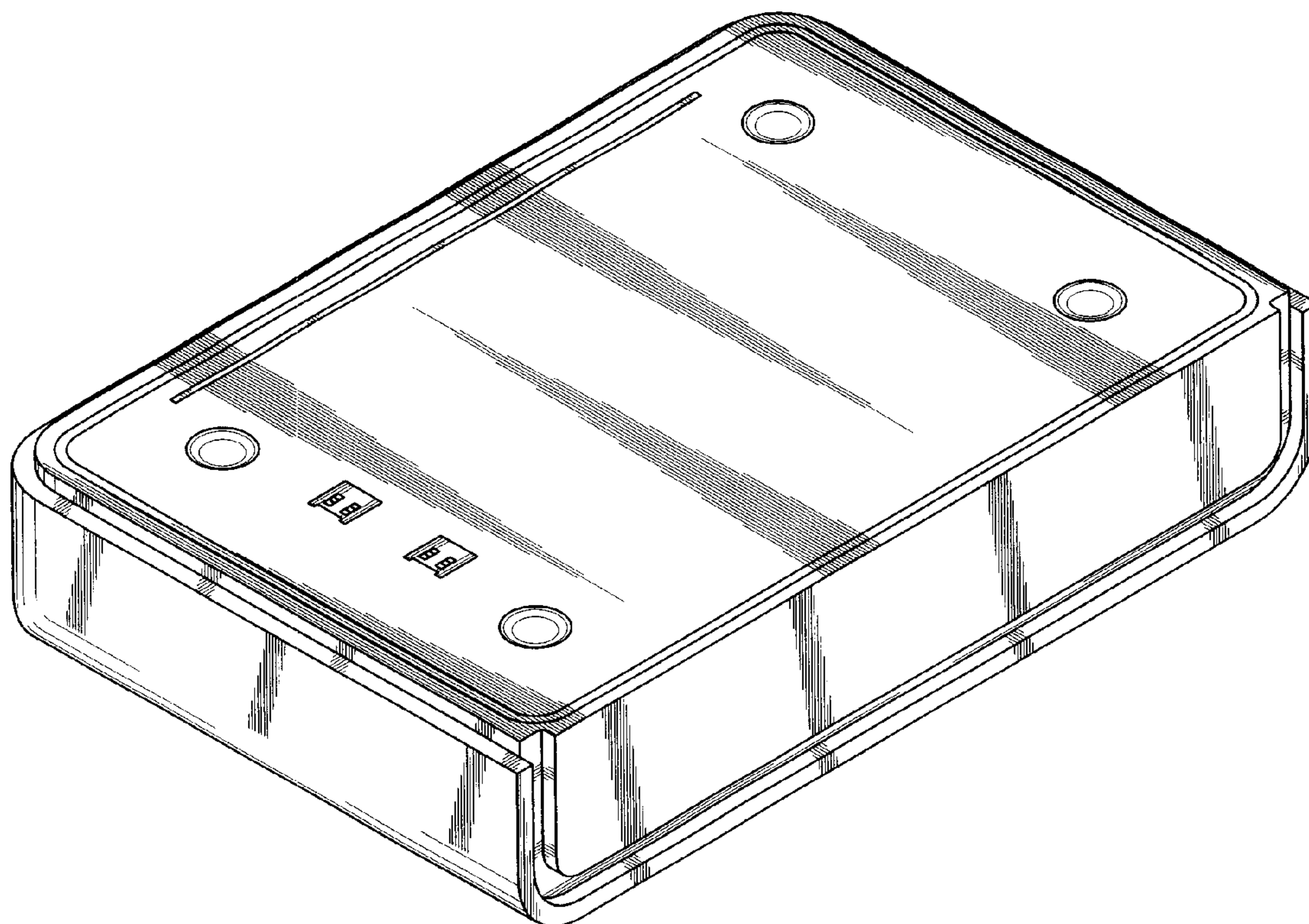
(57) **CLAIM**

The ornamental design for a battery for projector, as shown and described.

DESCRIPTION

FIG. 1 is a top front perspective view of a battery for projector showing our new design; FIG. 2 is a front elevational view thereof; FIG. 3 is a rear elevational view thereof; FIG. 4 is a left side elevational view, the right side being symmetrical thereof; FIG. 5 is a top plan view thereof; and, FIG. 6 is a bottom plan view.

1 Claim, 4 Drawing Sheets



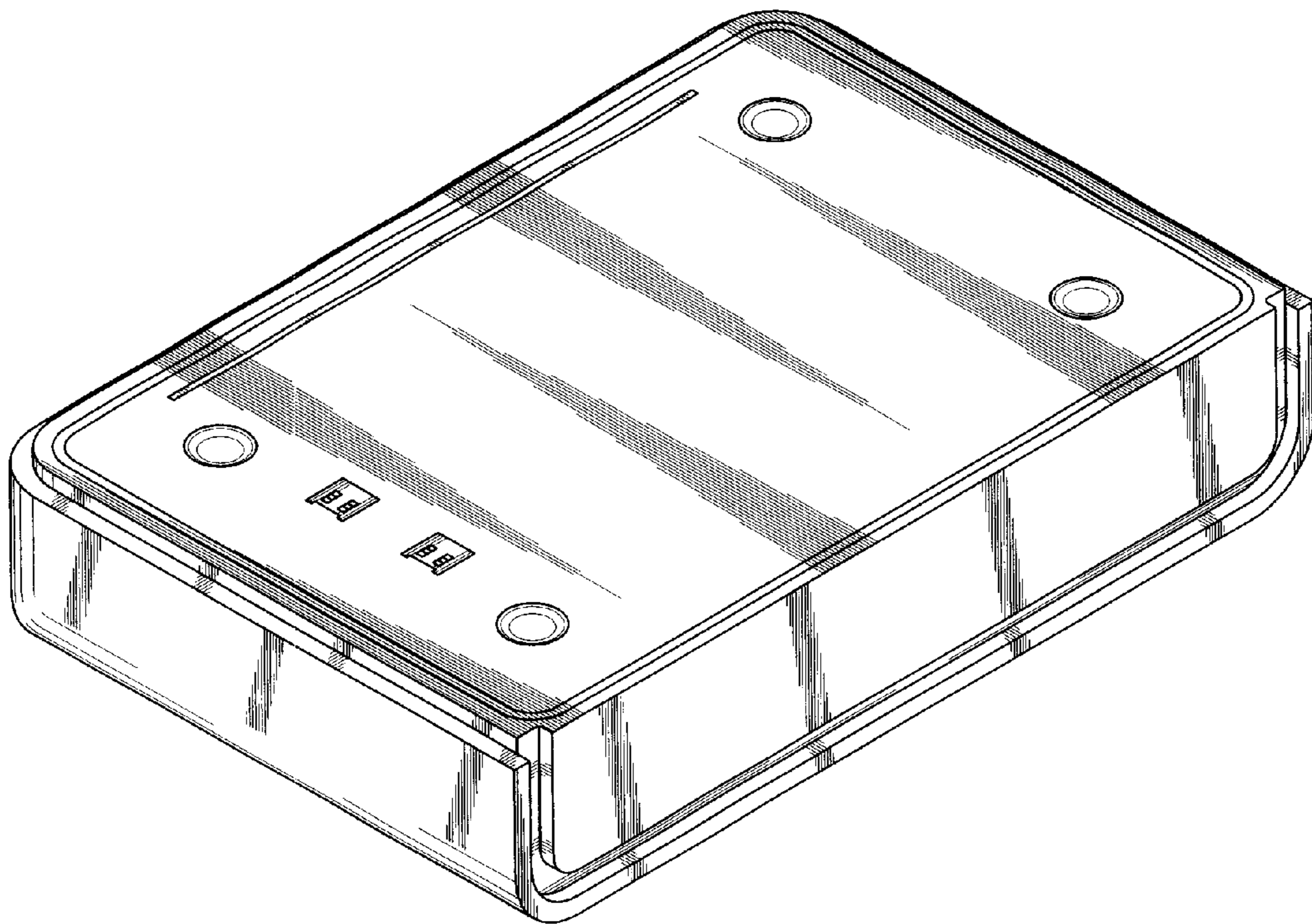


FIG. 1

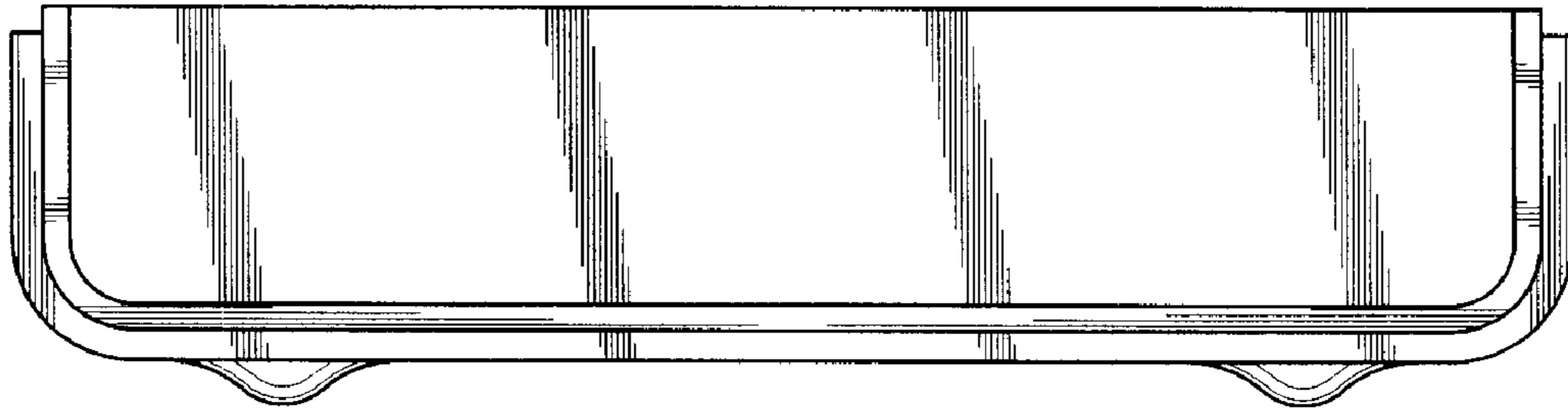


FIG. 2

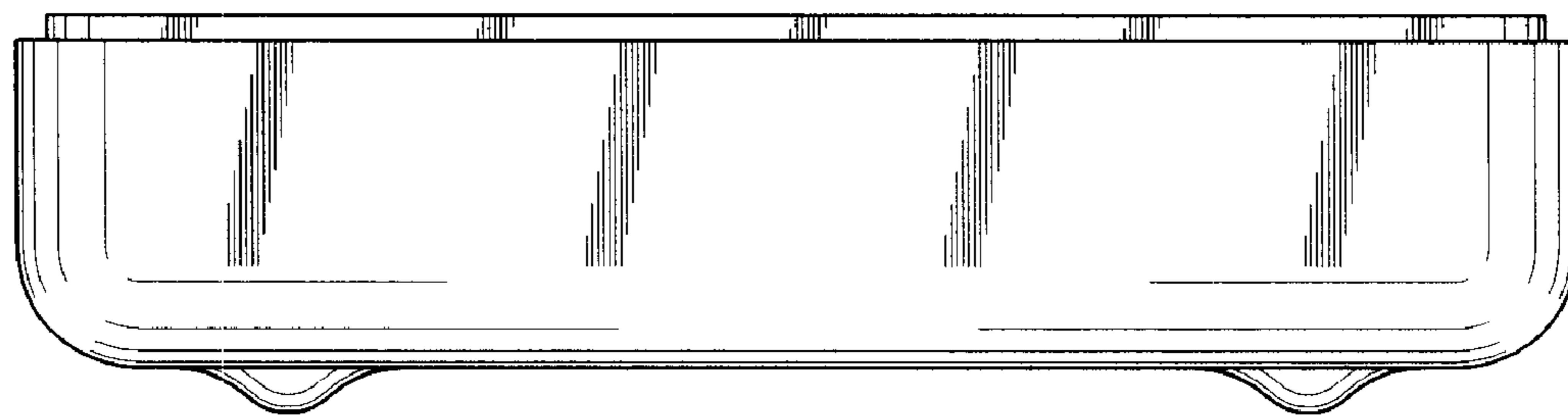


FIG. 3

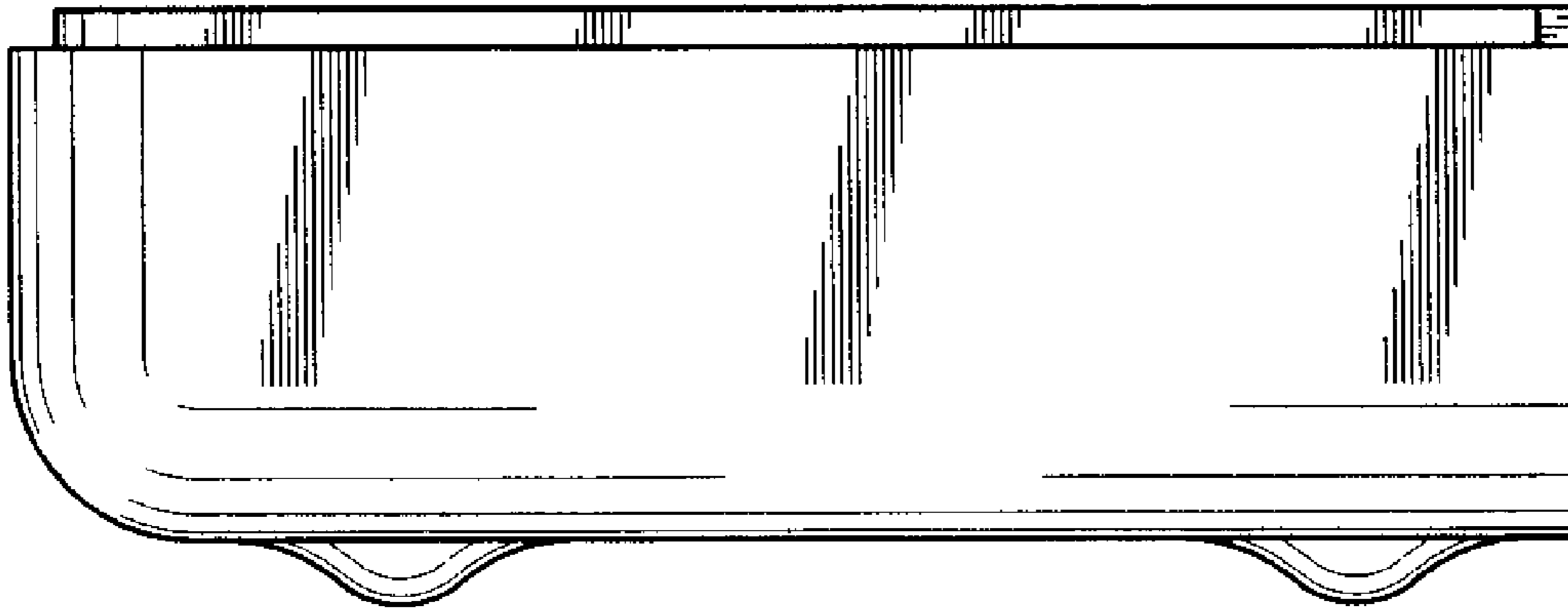


FIG. 4

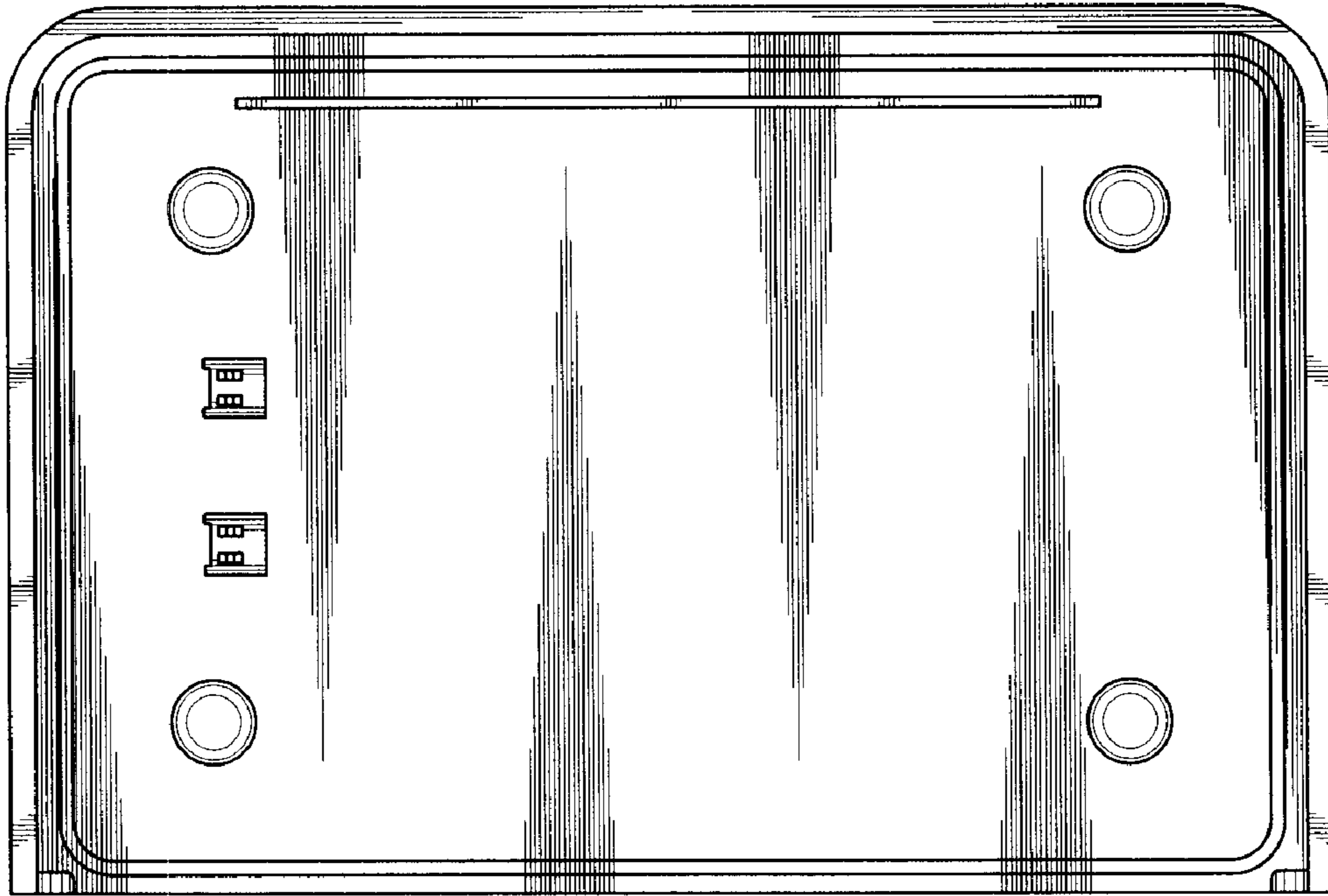


FIG. 5

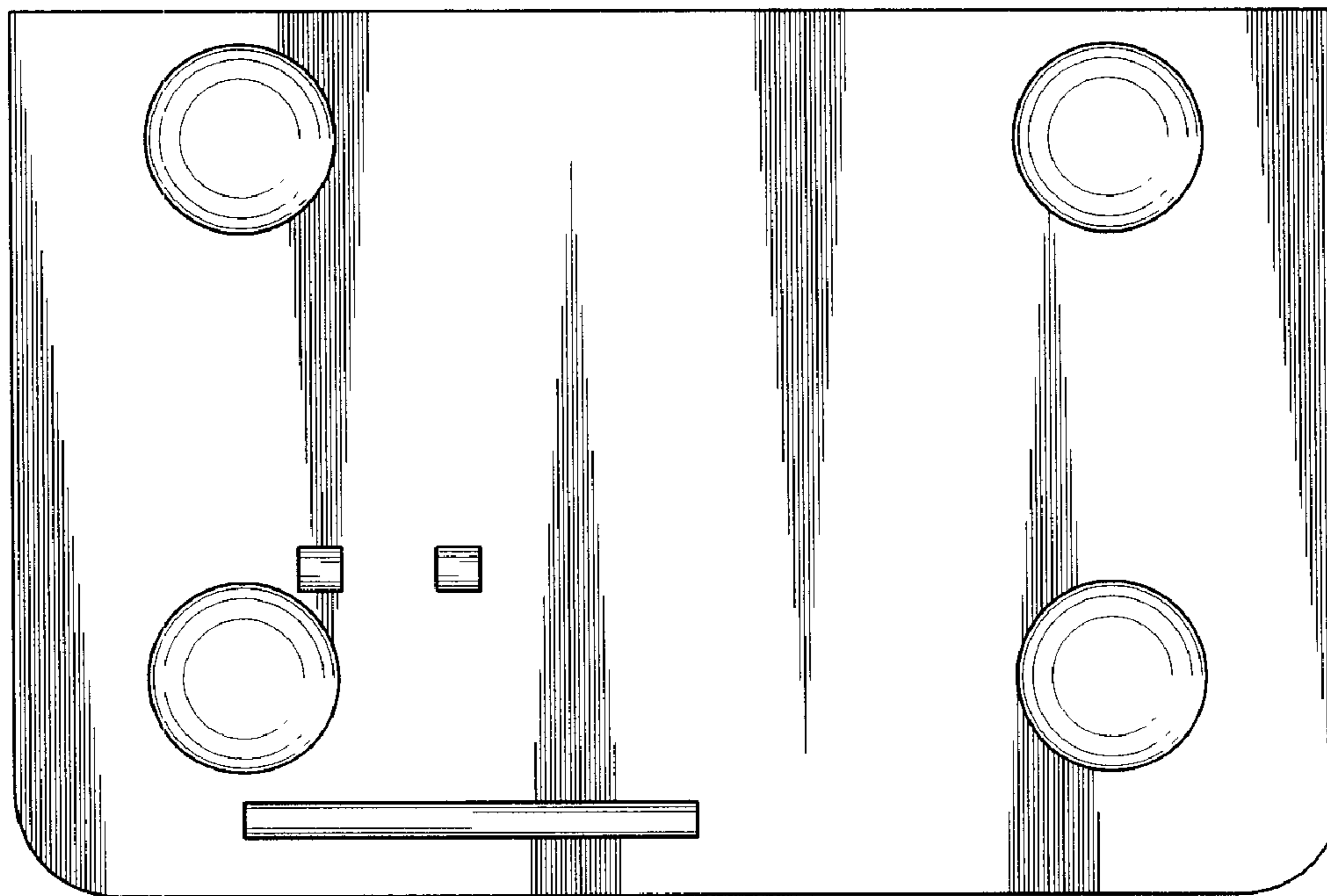


FIG. 6