



US00D533828S

(12) **United States Design Patent**
Reimitz

(10) **Patent No.:** **US D533,828 S**

(45) **Date of Patent:** **** Dec. 19, 2006**

(54) **MOTORCYCLE BRACKET FOR MOUNTING
LICENSE PLATES AND TURN SIGNAL
LIGHTS**

(75) Inventor: **Oliver E. Reimitz**, Merritt Island, FL
(US)

(73) Assignee: **Fendereliminators, Inc.**, Rockledge, FL
(US)

(**) Term: **14 Years**

(21) Appl. No.: **29/235,746**

(22) Filed: **Aug. 5, 2005**

Related U.S. Application Data

(62) Division of application No. 29/206,535, filed on Jun. 1,
2004, now Pat. No. Des. 523,802.

(51) **LOC (8) Cl.** **12-06**

(52) **U.S. Cl.** **D12/223**

(58) **Field of Classification Search** D12/110,
D12/114, 184-186, 190, 193, 223; 280/152.1,
280/152.2, 152.3, 160.1, 770, 304.3, 854,
280/847-852; 293/1, 142, 105; 362/473-476,
362/549; D26/34

See application file for complete search history.

(56) **References Cited**

U.S. PATENT DOCUMENTS

3,828,178	A	8/1974	Bickel	240/7.1 R
4,422,659	A	12/1983	Nebu	280/152.1
4,790,087	A	12/1988	Hamada	40/204
4,958,451	A	9/1990	Iwakura	40/204
5,173,653	A	12/1992	Hochstein	320/13
6,053,626	A	4/2000	Zagrodnik	362/473
6,099,151	A	8/2000	Tlustos	362/473
6,135,624	A	10/2000	Masters	362/432
6,152,585	A	11/2000	Barry	362/473
6,478,458	B1	11/2002	Hickman	362/473
2004/0079009	A1 *	4/2004	Arrua	40/204

OTHER PUBLICATIONS

Website, <http://www.competitionwerkes.com/> Competition
Werkes Fender Eliminator, Fender Enclosures and fender
confersions. p. 1 of 1, Apr. 19, 2004.

Website, [http://www.competitionwerkes.com/Catalog/
fender_eliminator-yamaha_20092_produc...](http://www.competitionwerkes.com/Catalog/fender_eliminator-yamaha_20092_produc...), Fender
eliminators—Yamaha List p. 1-3, Apr. 19, 2004.

Website, [http://www.twobros.com/Perf_Products/Body-
work/Fender-Eli.shtm](http://www.twobros.com/Perf_Products/Body-work/Fender-Eli.shtm), Two Brothers Racing :: Performance
Products, p. 1-3, Apr. 19, 2004.

Website, <http://www.hardracing.com/FEKit.htm>, Fender
Eliminator Kits, p. 1-19, Apr. 19, 2004.

* cited by examiner

Primary Examiner—Alan P. Douglas

Assistant Examiner—Linda Brooks

(74) *Attorney, Agent, or Firm*—Brian S. Steinberger; Law
Offices of Brian S. Steinberger, P.A.

(57) **CLAIM**

The ornamental design for a motorcycle bracket for mount-
ing license plates and turn signal lights, as shown and
described.

DESCRIPTION

FIG. 1 is a front right perspective view of a novel motorcycle
bracket for mounting license plates and turn signal lights,
with a top bent mounting plate and bottom plate for mount-
ing a license plate and rectangular flanges for mounting turn
signal lights.

FIG. 2 is a rear view of the design of FIG. 1.

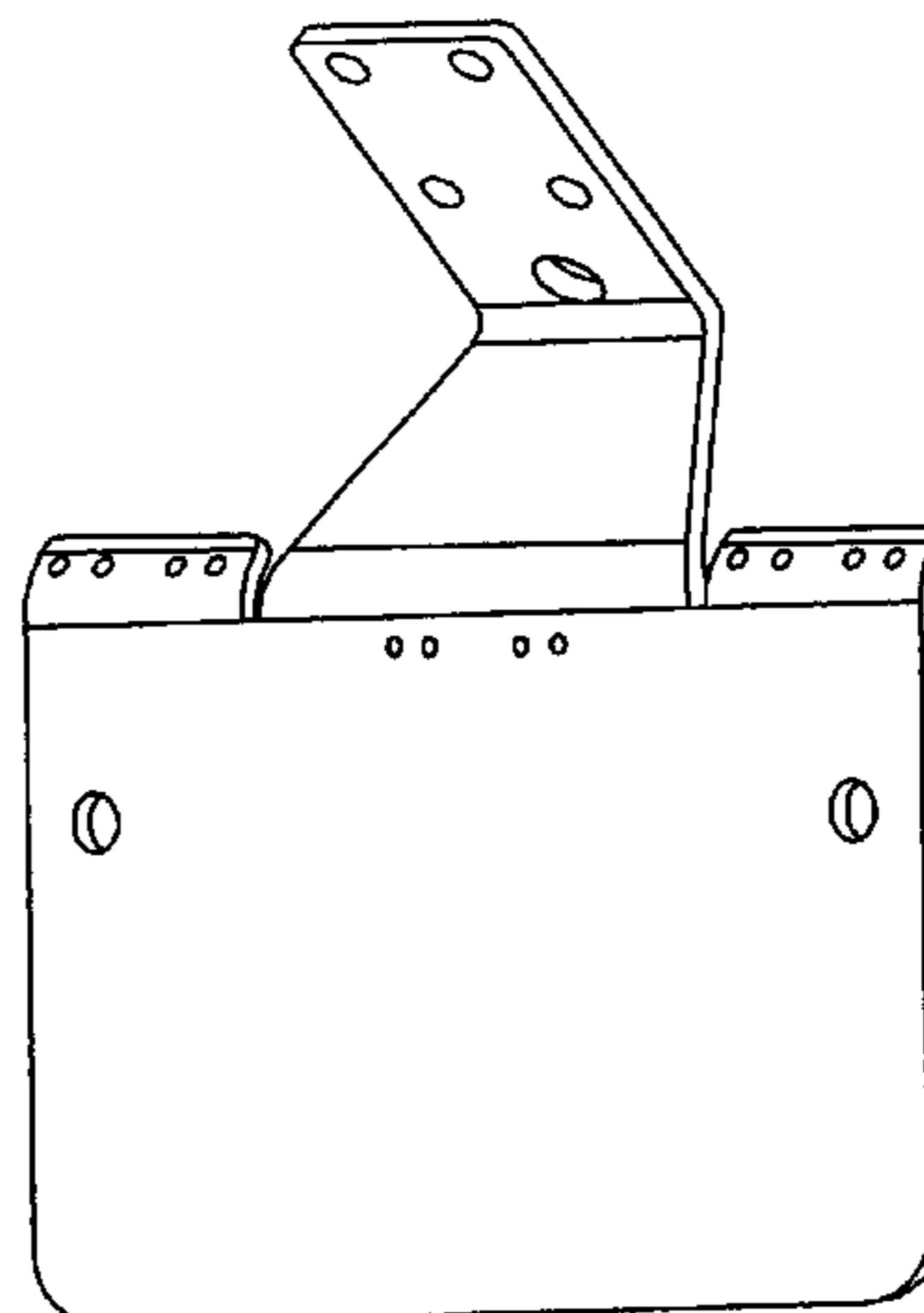
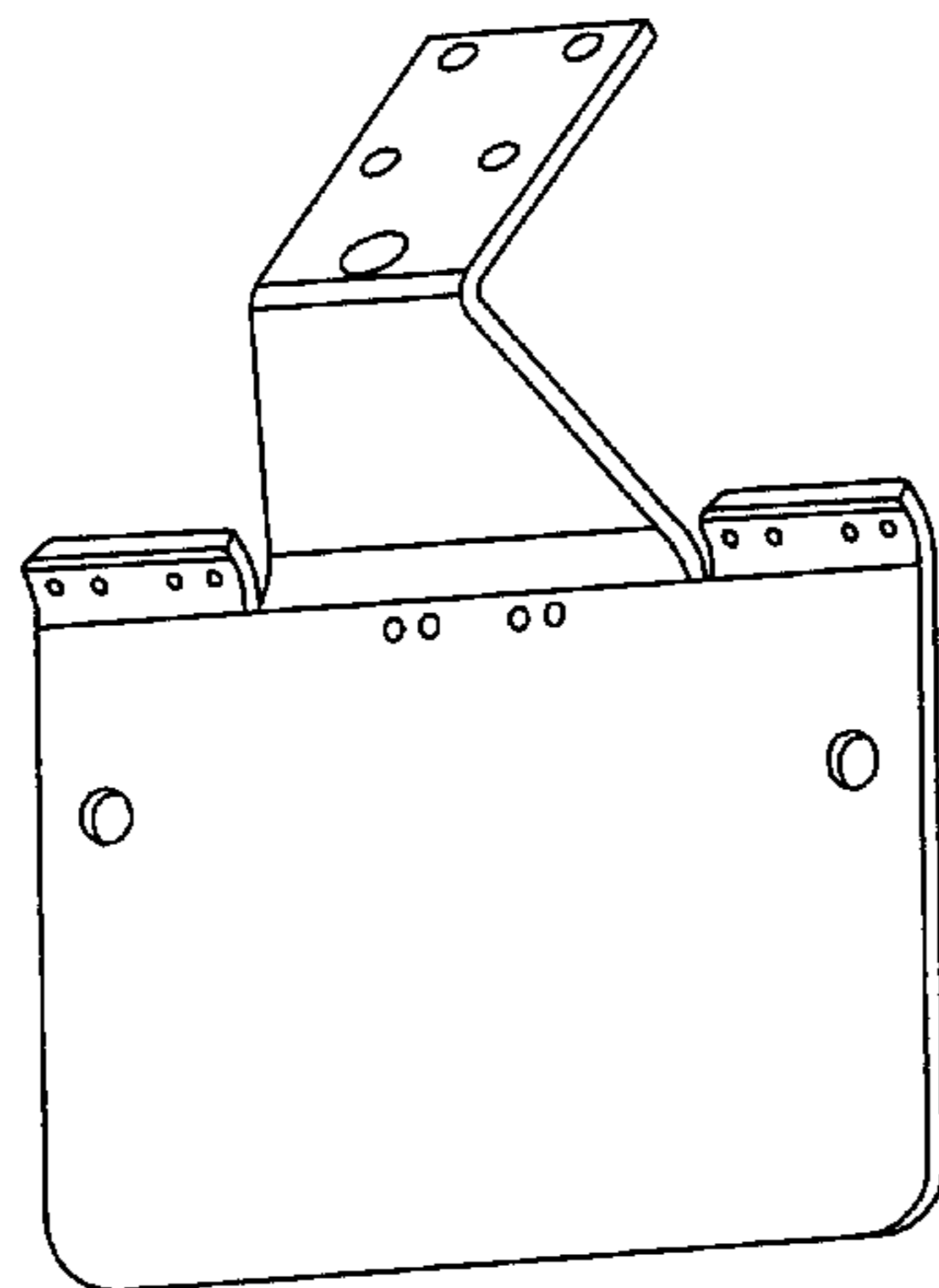
FIG. 3 is a right side view of the design of FIG. 1.

FIG. 4 is a right side view of the design of FIG. 2.

FIG. 5 is a front view of the design of FIG. 1 shown in
upright condition; and,

FIG. 6 is a rear view of the design of FIG. 2 shown in upright
condition.

1 Claim, 4 Drawing Sheets



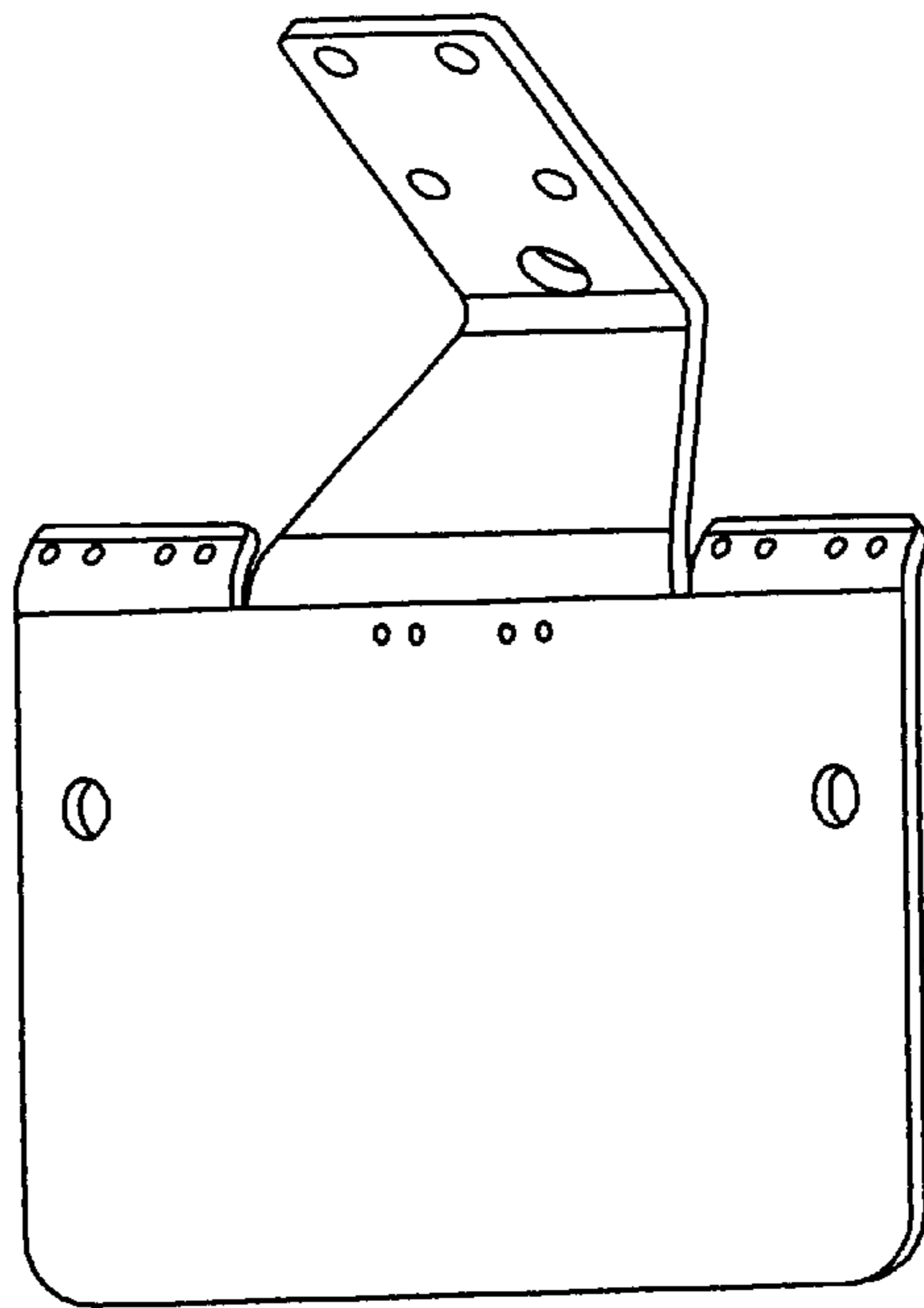


Fig.2

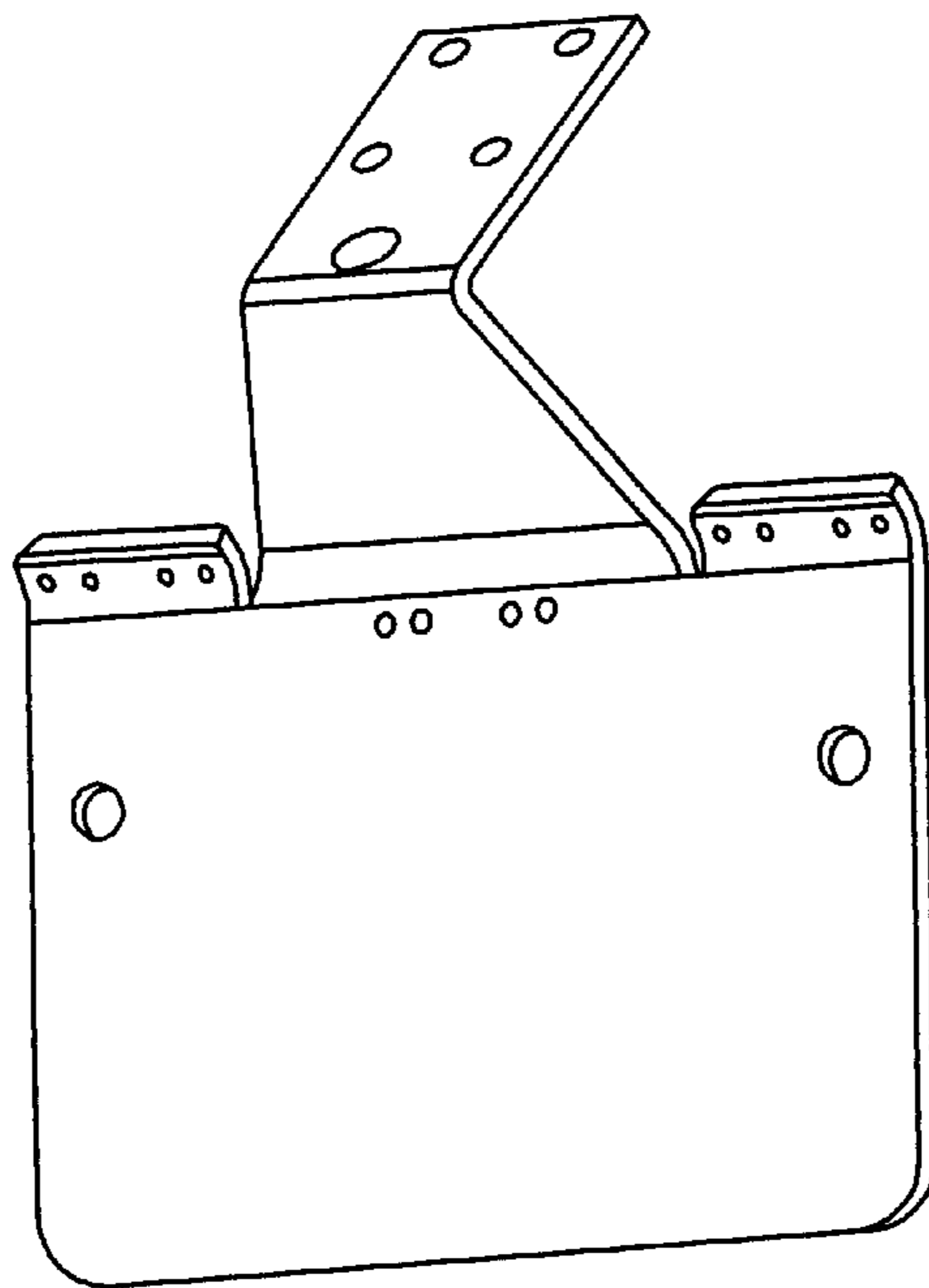


Fig.1

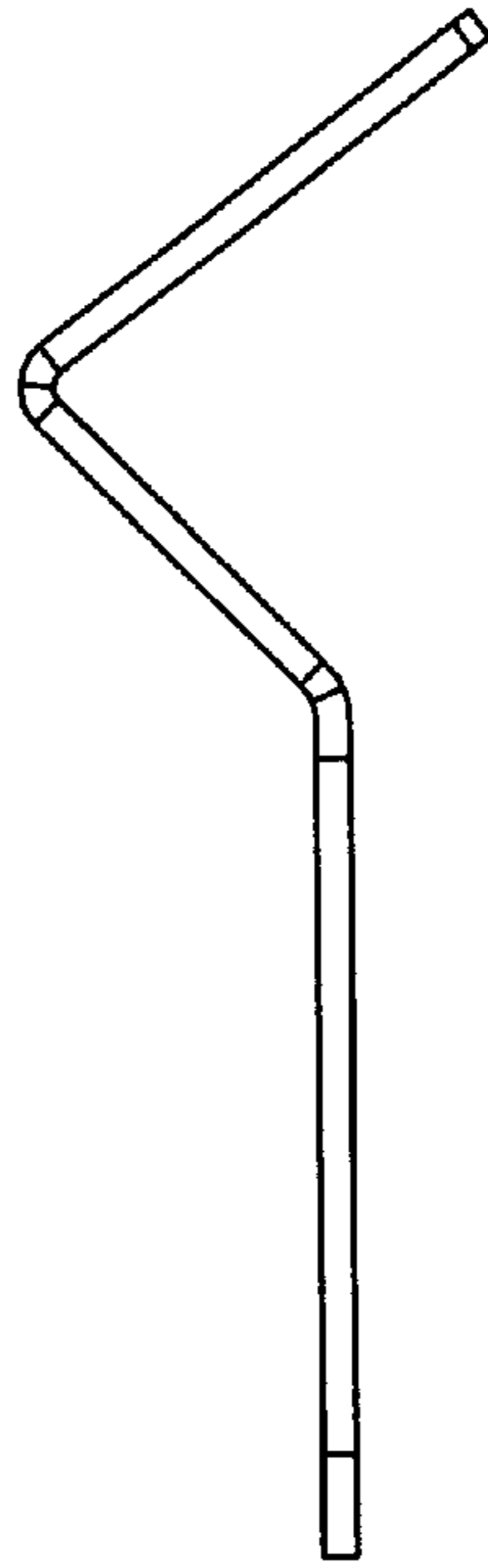


Fig.3

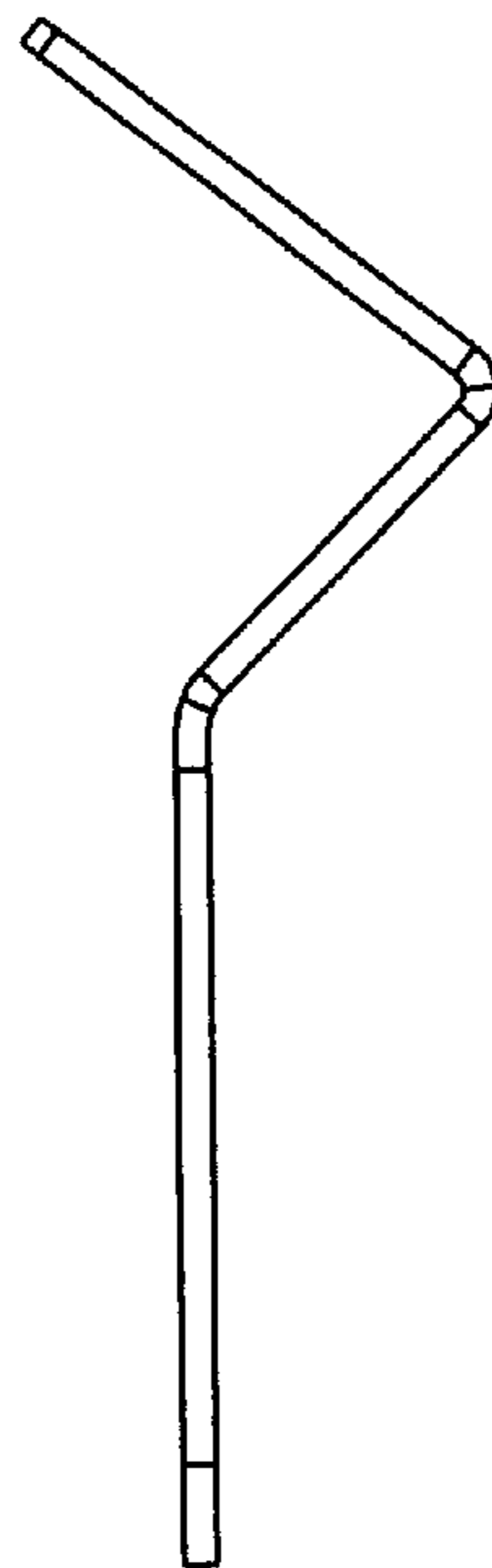


Fig.4

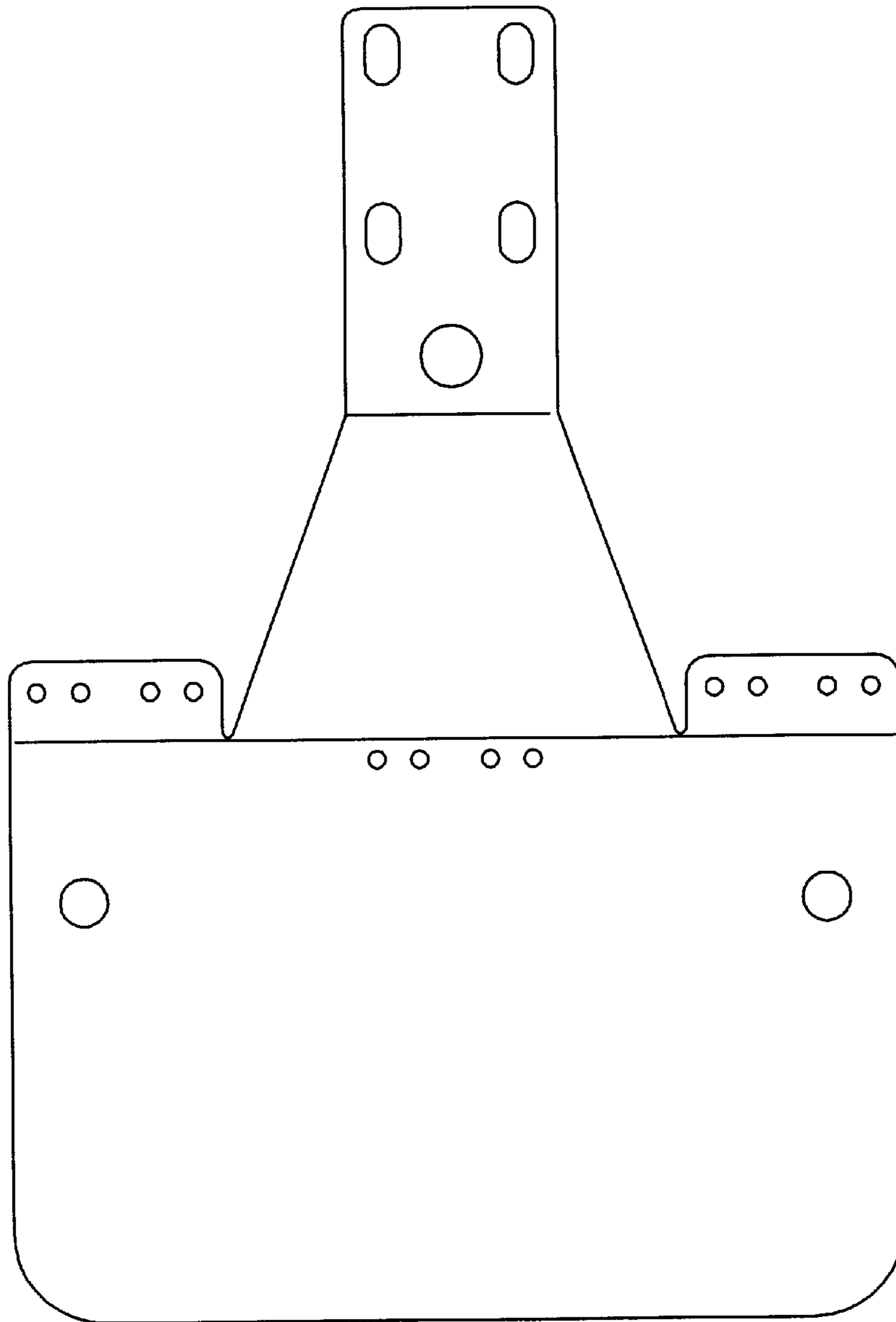


Fig.5

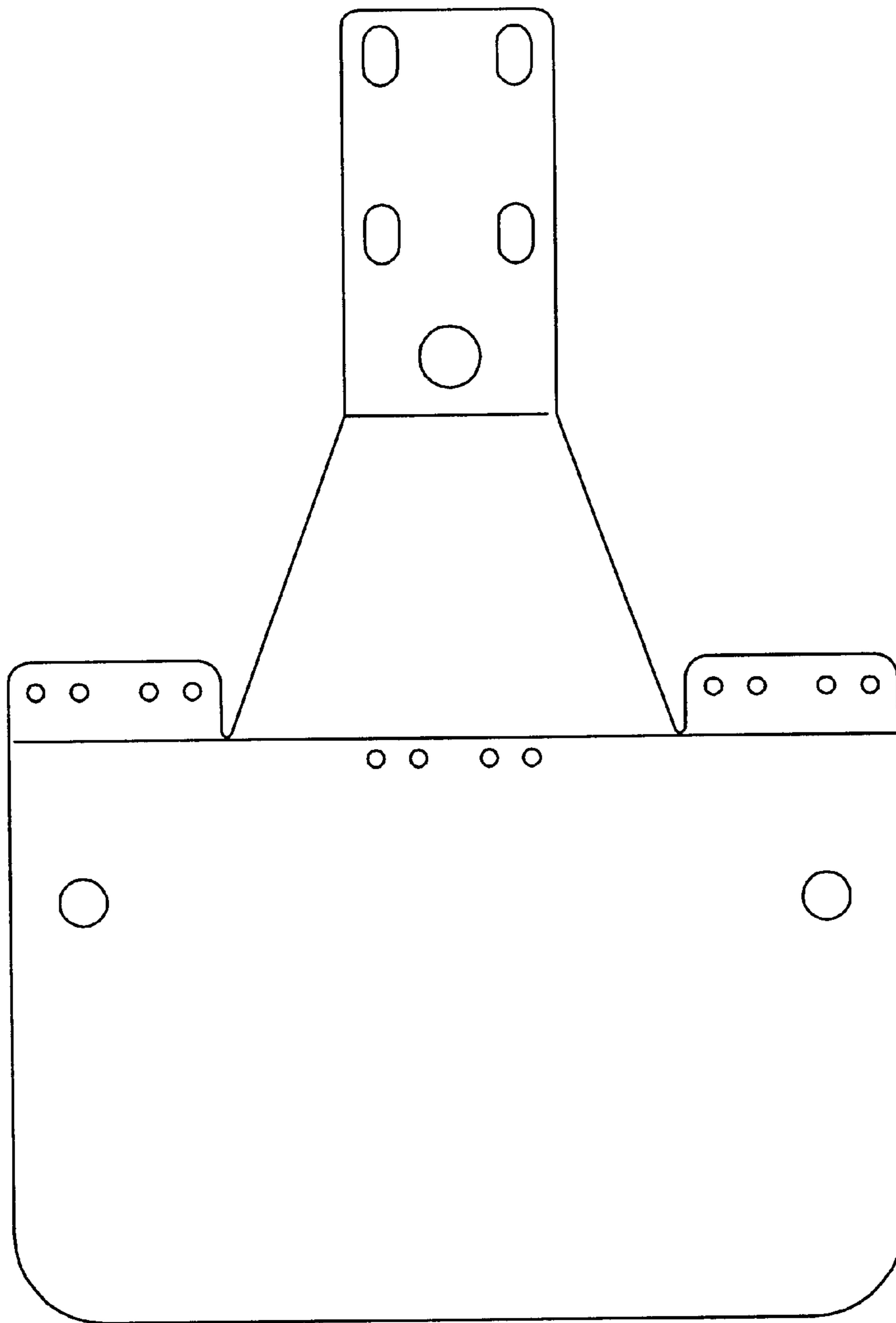


Fig.6