



US00D533827S

(12) **United States Design Patent**  
**Aydin**

(10) **Patent No.:** **US D533,827 S**

(45) **Date of Patent:** **\*\* Dec. 19, 2006**

(54) **VEHICLE WHEEL**

D516,991 S \* 3/2006 Guevara ..... D12/211

(76) Inventor: **Arafat Eric Aydin**, 12701 Van Nuys Blvd., #E, Pacoima, CA (US) 91331

\* cited by examiner

*Primary Examiner*—Stacia Cadmus

(\*\*) Term: **14 Years**

(74) *Attorney, Agent, or Firm*—Vernon R. Yancy

(21) Appl. No.: **29/260,062**

(57) **CLAIM**

(22) Filed: **May 18, 2006**

The ornamental design for a vehicle wheel, as shown and described.

(51) **LOC (8) Cl.** ..... **12-16**

**DESCRIPTION**

(52) **U.S. Cl.** ..... **D12/211**

(58) **Field of Classification Search** ..... D12/204–213;  
301/37.101, 64.101, 65

FIG. 1 is a perspective view of the vehicle wheel showing my new design;

FIG. 2 illustrates a front elevational view of the vehicle wheel of FIG. 1; and,

FIG. 3 is a cross-sectional view taken along the lines of 3—3 of FIG. 2.

See application file for complete search history.

The broken line showing of environment is for illustrative purposes only and forms no part of the claimed design.

(56) **References Cited**

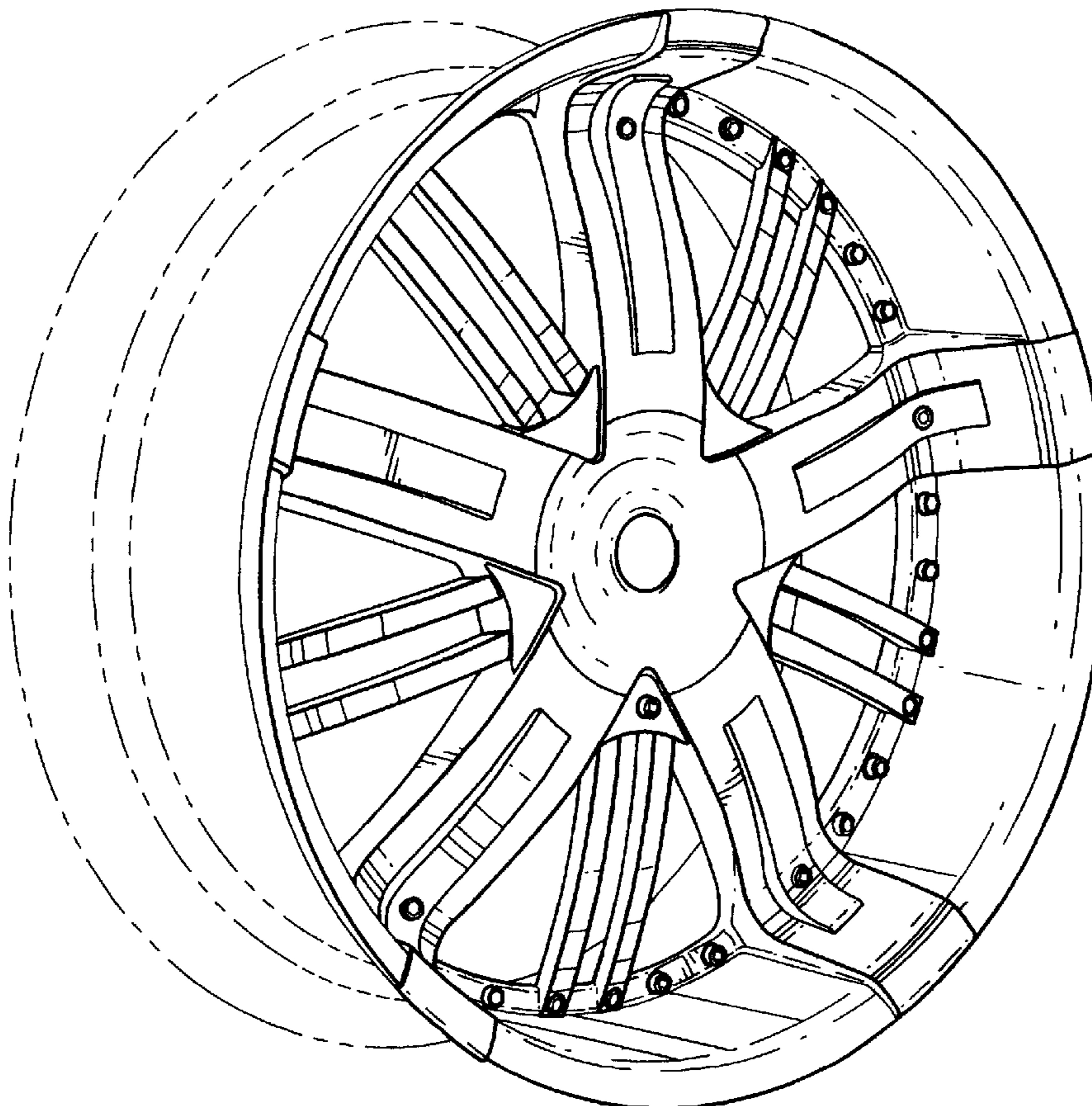
**U.S. PATENT DOCUMENTS**

D415,094 S	*	10/1999	Neeper	.....	D12/211
D432,071 S	*	10/2000	Brown	.....	D12/211
D471,504 S	*	3/2003	Laengerer	.....	D12/211
D493,764 S	*	8/2004	Sulahian	.....	D12/211
D500,005 S	*	12/2004	van Hooydonk	.....	D12/211
D506,174 S	*	6/2005	Chen	.....	D12/211
D516,489 S	*	3/2006	Alonso	.....	D12/211

The vehicle wheel of the present invention is characterized by a five point wheel face having multiple inserts.

The vehicle wheel is shown on an enlarged scale in FIGS. 2–3.

**1 Claim, 3 Drawing Sheets**



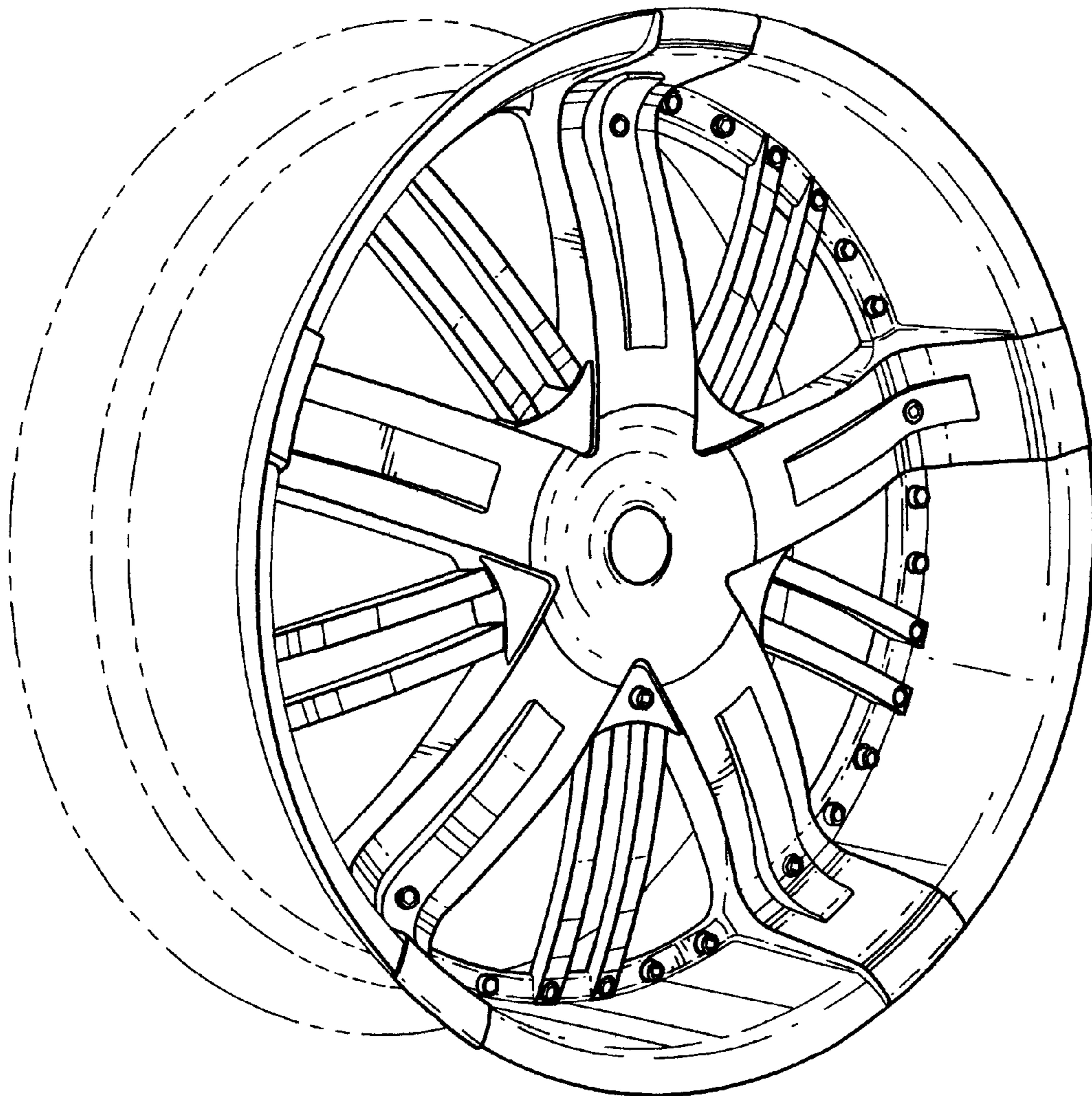


FIG. 1

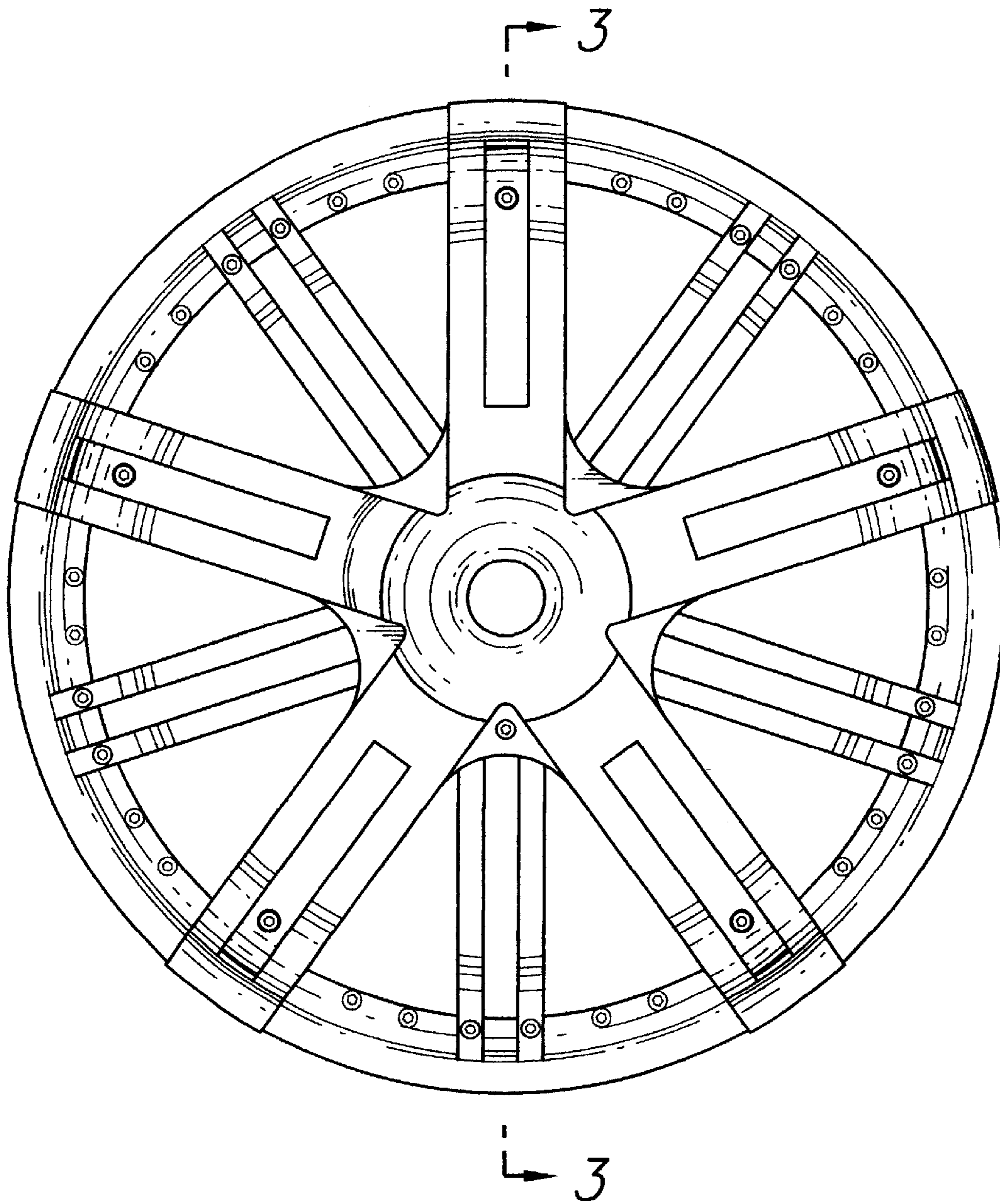


FIG. 2

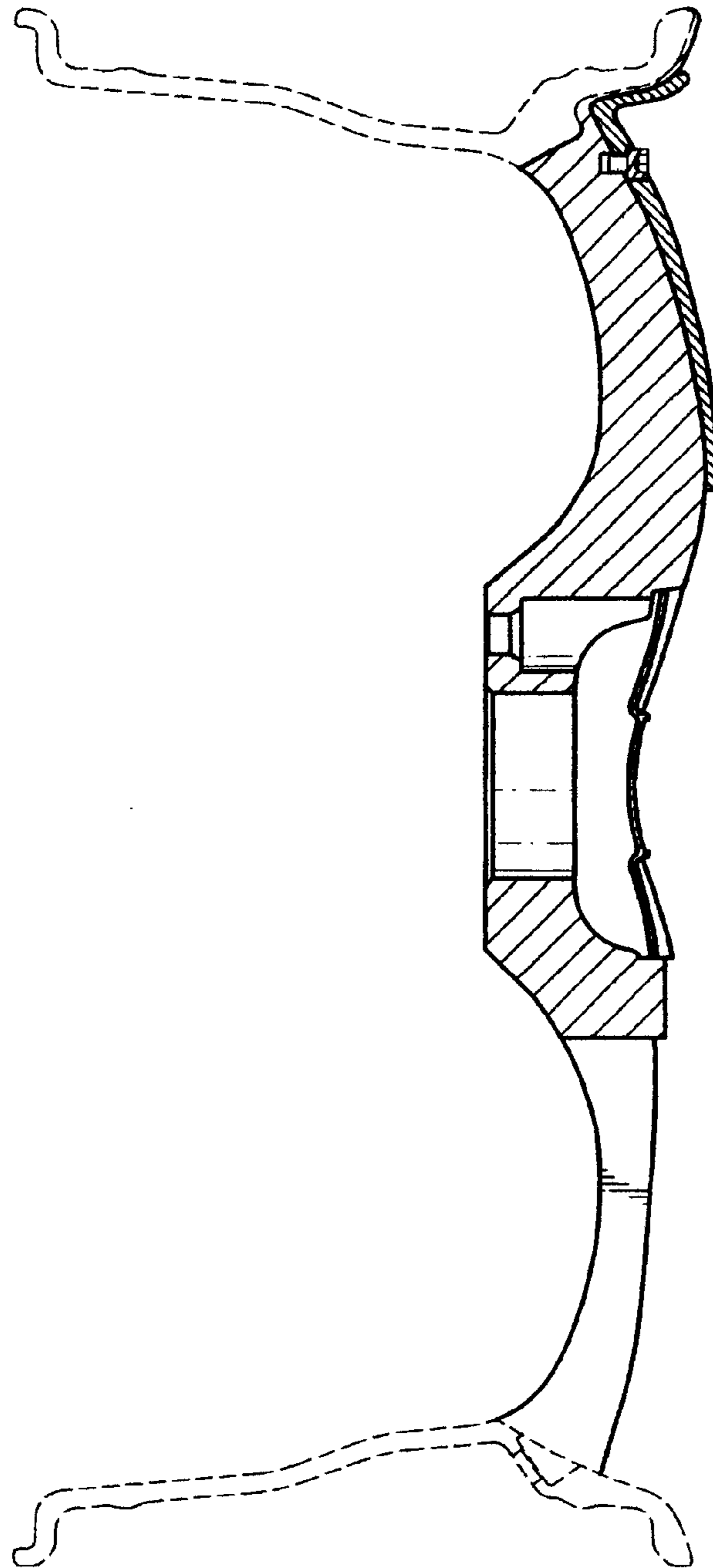


FIG. 3