



US00D533826S

(12) **United States Design Patent**
Scheu

(10) **Patent No.:** **US D533,826 S**

(45) **Date of Patent:** **** Dec. 19, 2006**

(54) **FRONT FACE OF A VEHICLE WHEEL**

(75) Inventor: **Armin Scheu**, Moessner Strasse (DE)

(73) Assignee: **DaimlerChrysler AG**, Stuttgart (DE)

(**) Term: **14 Years**

(21) Appl. No.: **29/251,488**

(22) Filed: **Jan. 10, 2006**

(30) **Foreign Application Priority Data**

Aug. 5, 2005 (DE) 40504095

(51) **LOC (8) Cl.** **12-16**

(52) **U.S. Cl.** **D12/211**

(58) **Field of Classification Search** D12/204-213;
301/37.101, 64.101, 65

See application file for complete search history.

(56) **References Cited**

U.S. PATENT DOCUMENTS

D419,946 S	*	2/2000	Goplen	D12/211
D423,442 S	*	4/2000	Hussaini et al.	D12/209
D433,370 S	*	11/2000	Hussaini et al.	D12/209
D453,134 S	*	1/2002	Murkett et al.	D12/209
D460,037 S	*	7/2002	Takechi	D12/211
D466,464 S	*	12/2002	Hodges	D12/209
D477,262 S	*	7/2003	Koch	D12/209

D478,307 S	*	8/2003	Maifrini	D12/211
D481,663 S	*	11/2003	Maifrini	D12/211
D486,769 S	*	2/2004	Gallert	D12/209
D493,761 S	*	8/2004	Kang	D12/211
D494,122 S	*	8/2004	Sands	D12/209
D506,717 S	*	6/2005	Gallert	D12/209
D513,487 S	*	1/2006	Wachtler	D12/209
D522,432 S	*	6/2006	Pfeiffer	D12/209
D522,952 S	*	6/2006	Nakahara	D12/211
D524,220 S	*	7/2006	Scheu	D12/211

* cited by examiner

Primary Examiner—Stacia Cadmus

(74) *Attorney, Agent, or Firm*—Crowell & Moring LLP

(57) **CLAIM**

The ornamental design for a front face of a vehicle wheel, as shown and described.

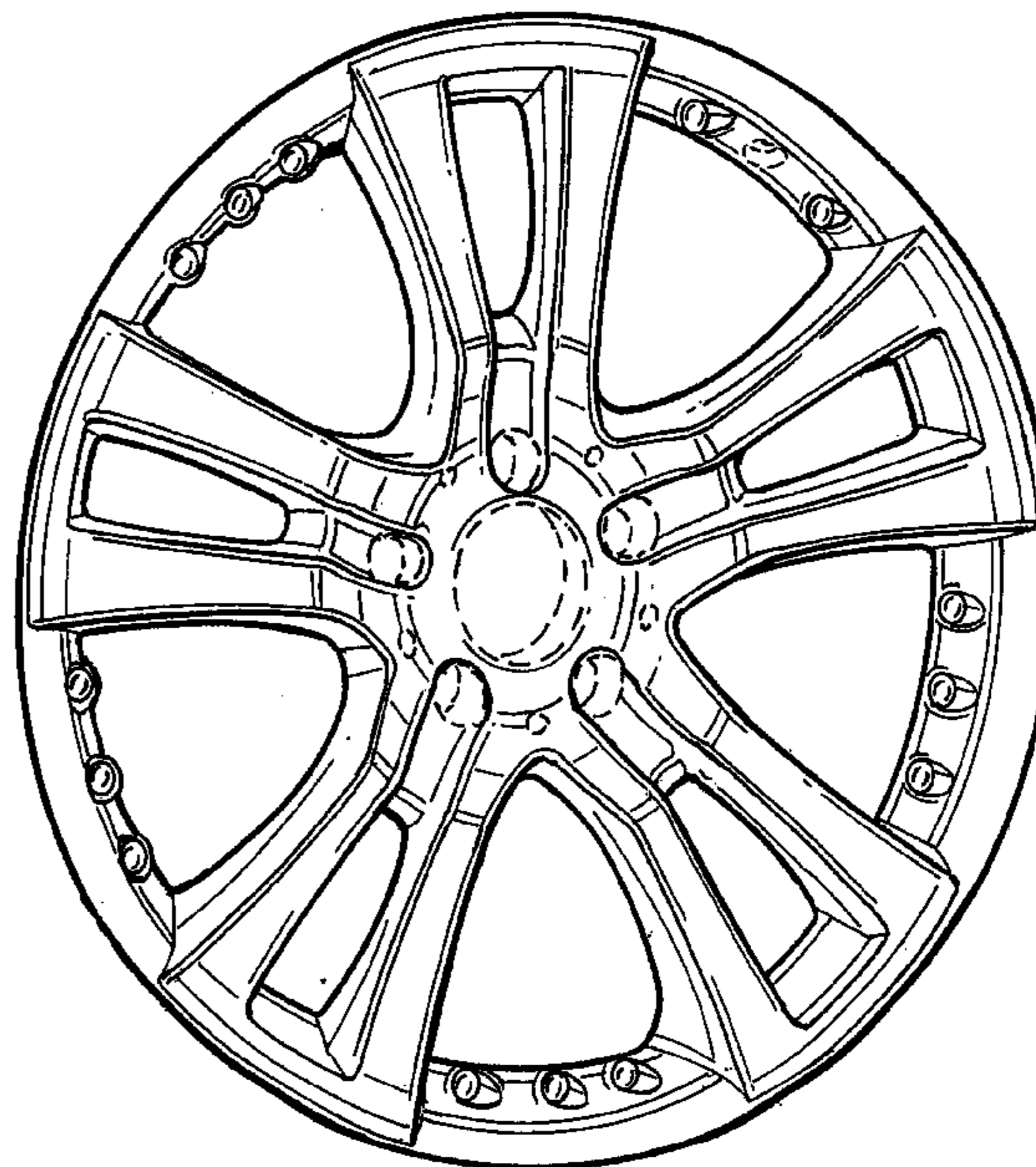
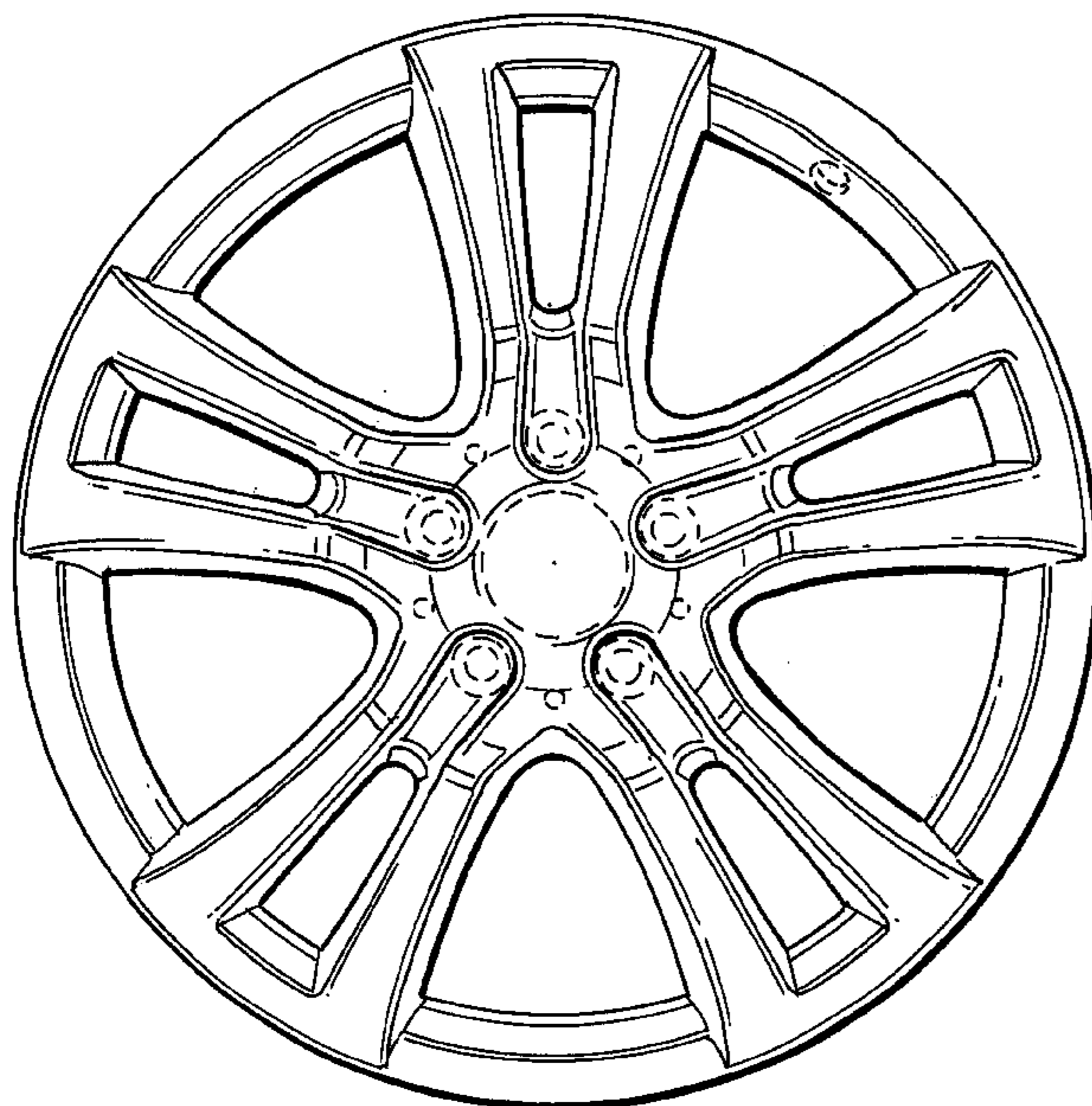
DESCRIPTION

FIG. 1 is a front view of a first embodiment of a front face of a vehicle wheel according to my novel design; and FIG. 2 is a perspective view thereof.

FIG. 3 is a front view of a second embodiment of the front face of a vehicle wheel according to my novel design; and, FIG. 4 is a perspective view thereof.

The broken lines are for illustrative purposes only and form no part of the claimed design.

1 Claim, 2 Drawing Sheets



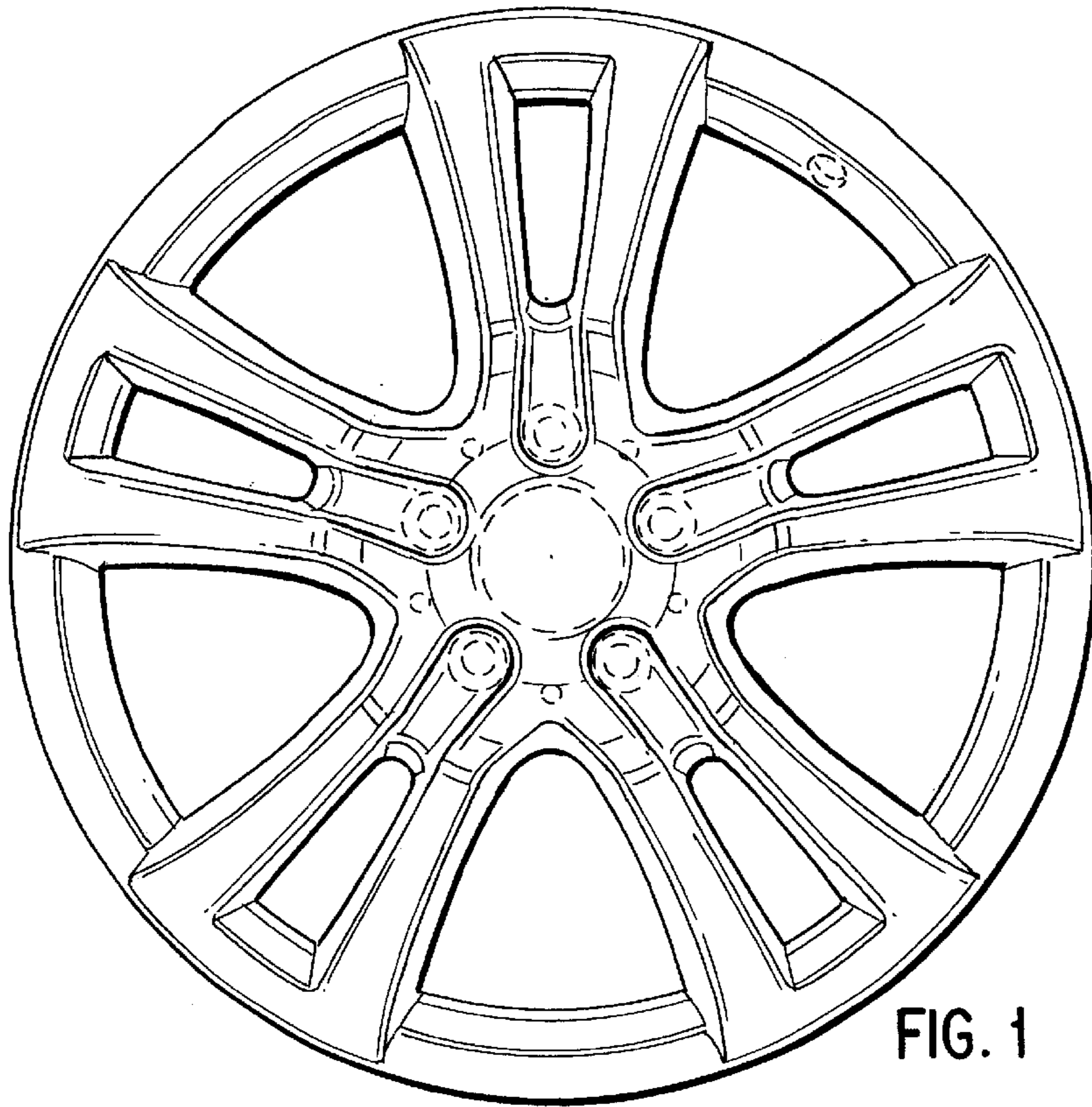


FIG. 1

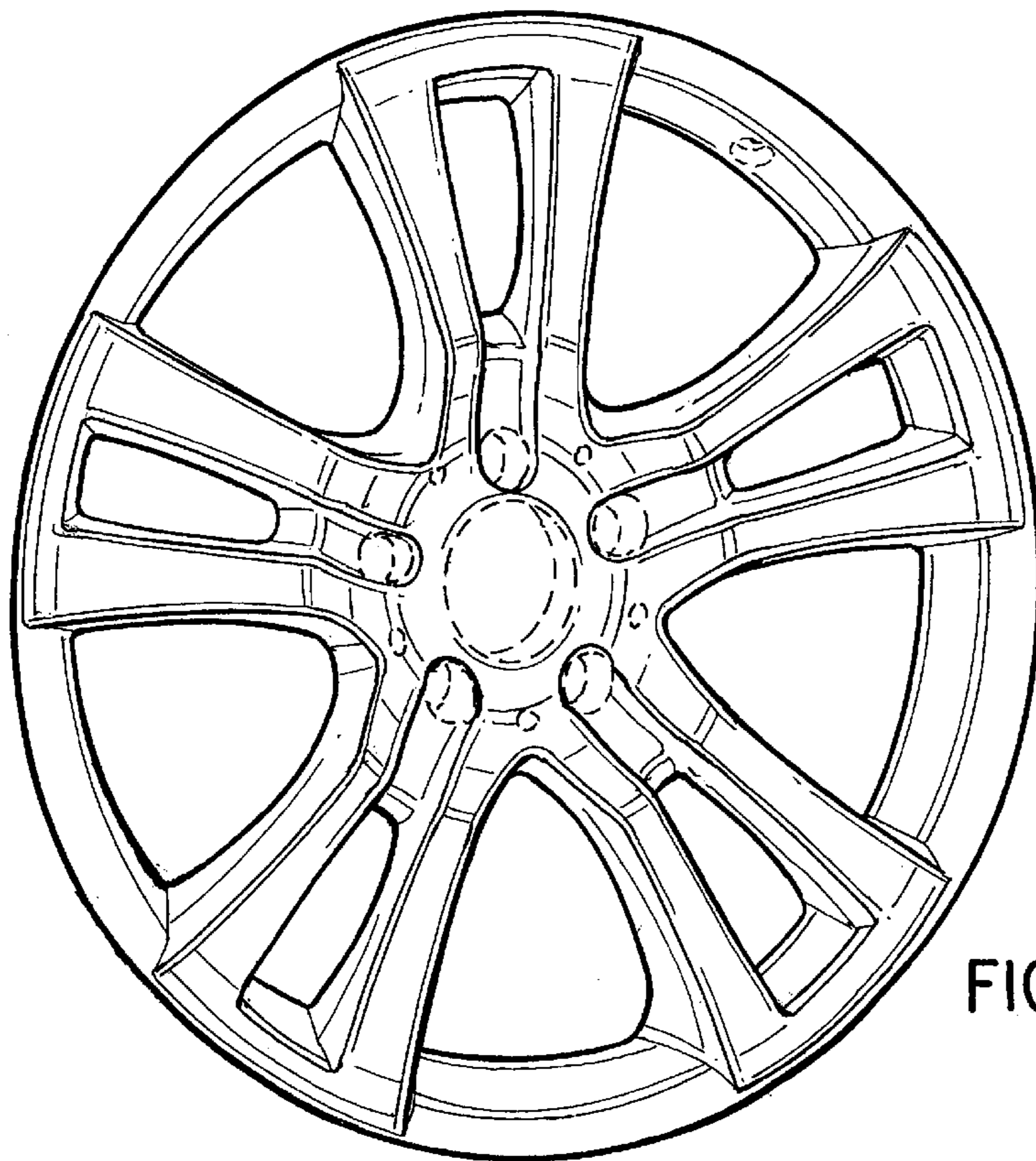


FIG. 2

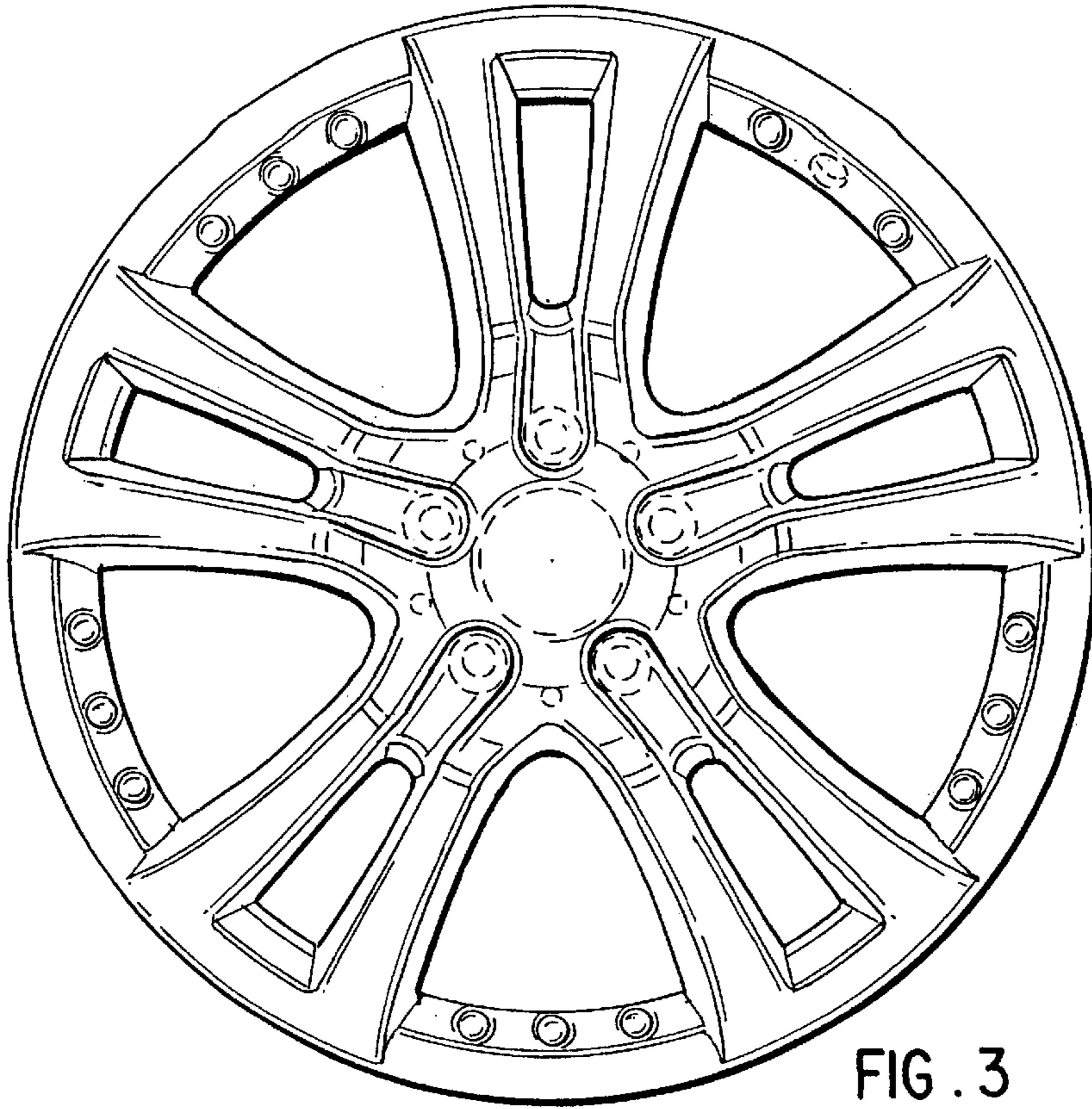


FIG. 3

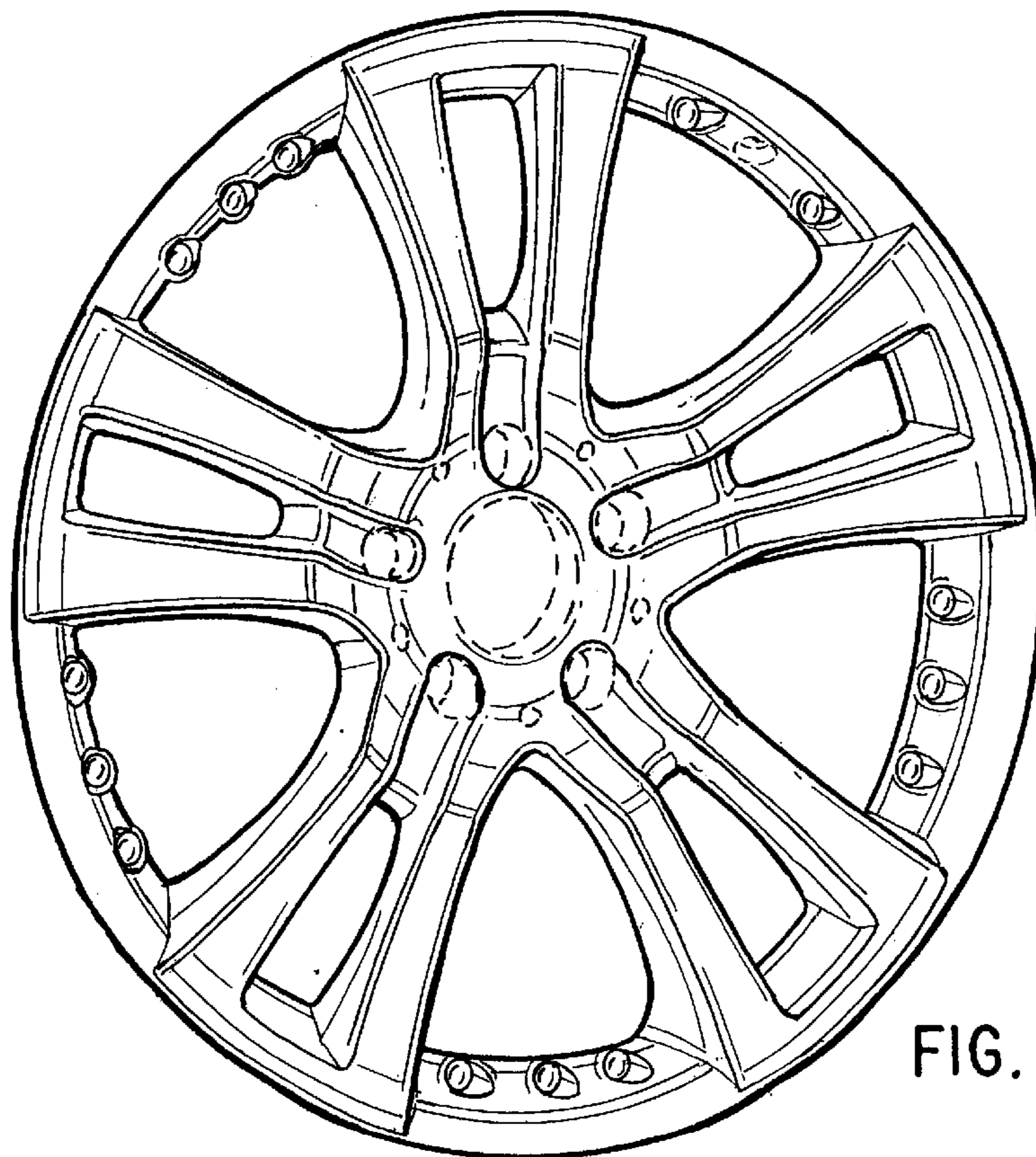


FIG. 4