



US00D533825S

(12) **United States Design Patent**  
**Baumgartner**

(10) **Patent No.:** **US D533,825 S**

(45) **Date of Patent:** **\*\* Dec. 19, 2006**

(54) **VEHICLE WHEEL**

(75) Inventor: **Heinrich Baumgartner**, Schiltach (DE)

(73) Assignee: **BBS Kraftfahrzeugtechnik AG**,  
Schiltach (DE)

(\*\*) Term: **14 Years**

(21) Appl. No.: **29/185,133**

(22) Filed: **Jun. 23, 2003**

(30) **Foreign Application Priority Data**

Dec. 23, 2002 (WO) ..... DM/062 356

(51) **LOC (8) Cl.** ..... **12-16**

(52) **U.S. Cl.** ..... **D12/211**

(58) **Field of Classification Search** ..... D12/204-213;  
301/37.101, 64.101, 65

See application file for complete search history.

(56) **References Cited**

**U.S. PATENT DOCUMENTS**

D398,574 S	*	9/1998	McMath	.....	D12/211
D406,092 S	*	2/1999	Baumgartner	.....	D12/211
D428,846 S	*	8/2000	Yoshida et al.	.....	D12/211
D432,974 S	*	10/2000	Jablonski	.....	D12/211
D433,659 S	*	11/2000	Frizzi	.....	D12/211
D459,689 S	*	7/2002	Hieke	.....	D12/211
D475,674 S	*	6/2003	Baumgartner	.....	D12/211

D476,283 S	*	6/2003	Baumgartner	.....	D12/211
D478,307 S	*	8/2003	Maifrini	.....	D12/211
D485,524 S	*	1/2004	Bhambra	.....	D12/209
D486,770 S	*	2/2004	Pollmann	.....	D12/209
D488,420 S	*	4/2004	Murkett et al.	.....	D12/209
D506,428 S	*	6/2005	Hussaini et al.	.....	D12/209

**FOREIGN PATENT DOCUMENTS**

JP	HC 18006778	8/2001
JP	2003-018970	12/2001

\* cited by examiner

*Primary Examiner*—Stacia Cadmus

(74) *Attorney, Agent, or Firm*—Greenberg Traurig

(57) **CLAIM**

The ornamental design for a vehicle wheel, as shown and described.

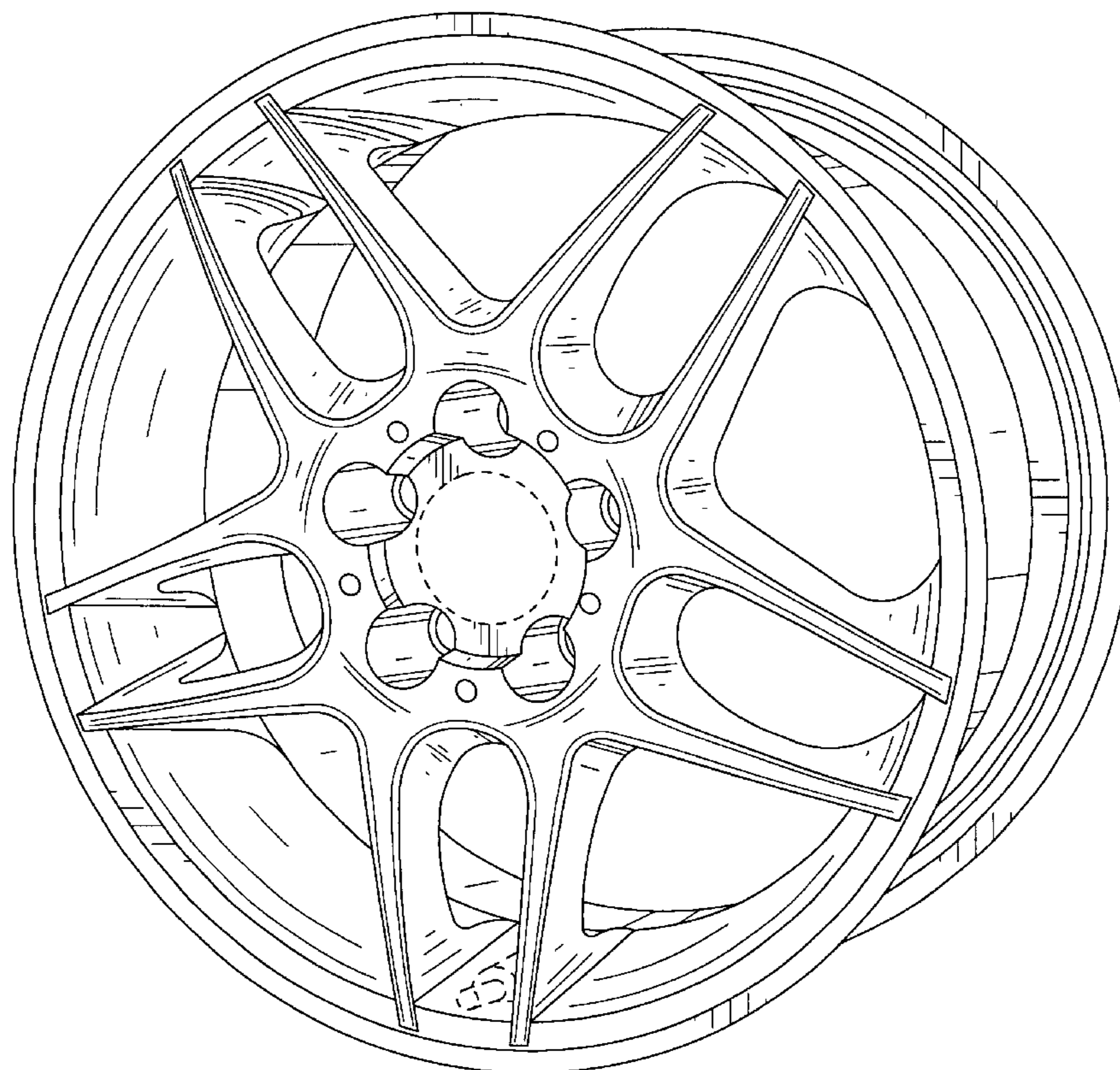
**DESCRIPTION**

FIG. 1 is a side perspective view of the vehicle wheel according to the invention, showing my new ornamental design; and,

FIG. 2 is a front elevation view thereof.

The side and rear of the wheel not shown in the drawings do not comprise part of the claimed design. The broken line showing of the valve stem and center cap are for illustrative purposes only and form not part of the claimed design.

**1 Claim, 2 Drawing Sheets**



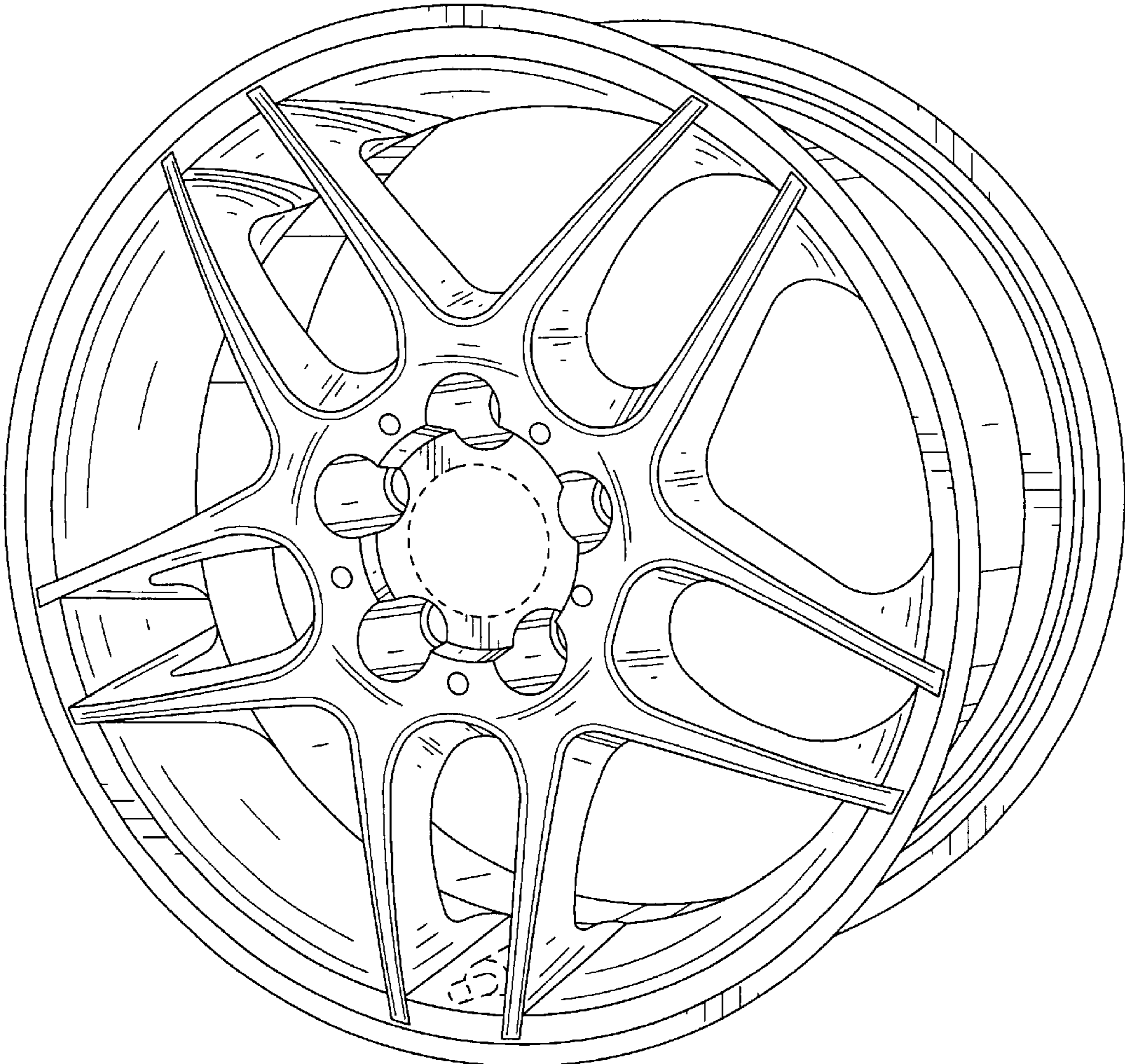


FIG. 1

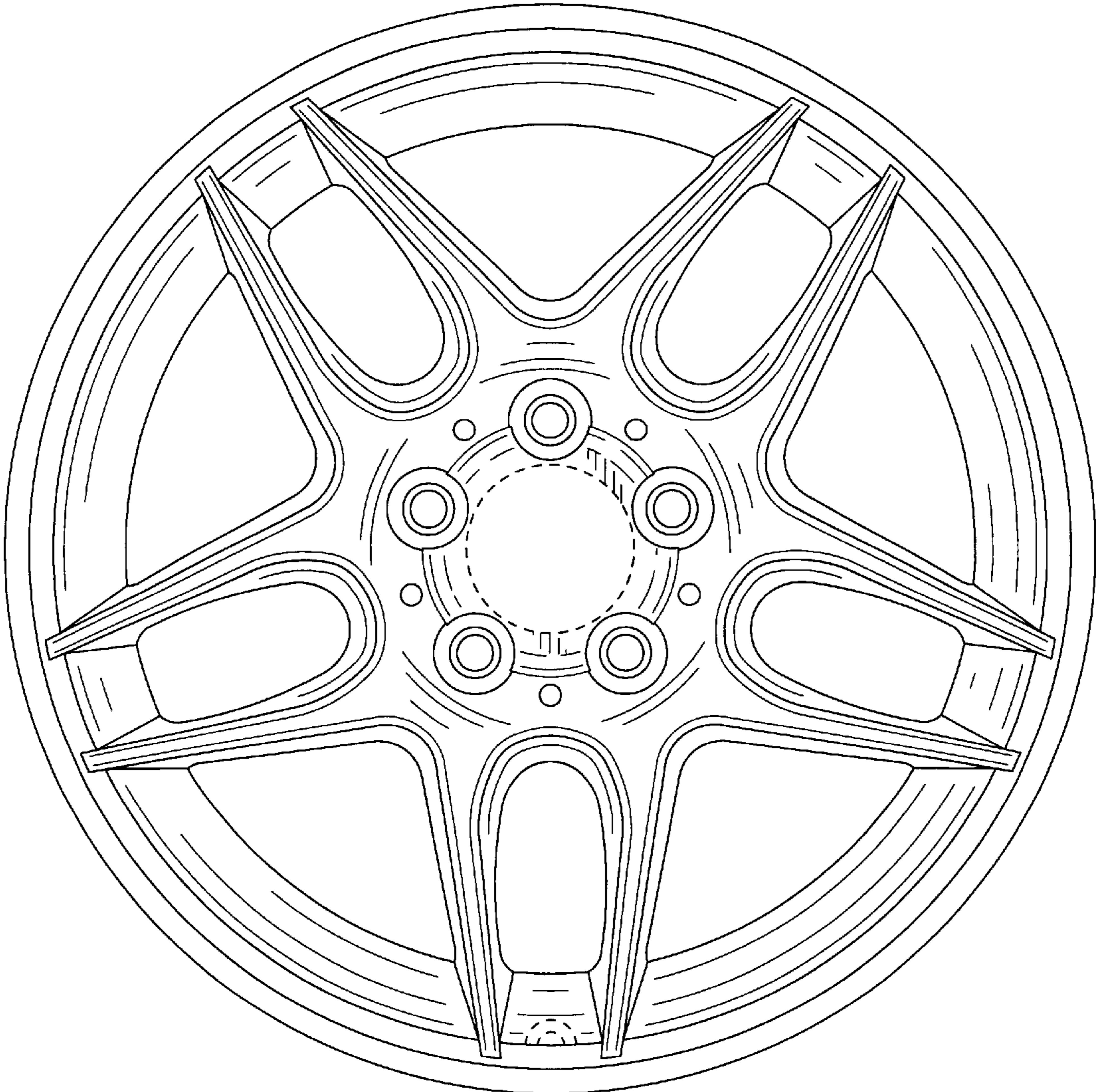


FIG. 2