



US00D533818S

(12) **United States Design Patent**
Kitazumi et al.

(10) **Patent No.:** **US D533,818 S**

(45) **Date of Patent:** **** Dec. 19, 2006**

(54) **REAR BUMPER FOR AN AUTOMOBILE**

(75) Inventors: **Kazumi Kitazumi**, Aichi-ken (JP);
Hirotsada Kobayashi, Aichi-ken (JP)

(73) Assignee: **Toyota Jidosha Kabushiki Kaisha** (JP)

(**) Term: **14 Years**

(21) Appl. No.: **29/245,645**

(22) Filed: **Dec. 27, 2005**

(51) **LOC (8) Cl.** **12-16**

(52) **U.S. Cl.** **D12/169**

(58) **Field of Classification Search** D12/90-92,
D12/86, 169, 196, 163; 296/180.1, 180.2;
293/102, 113, 115, 117, 120
See application file for complete search history.

(56) **References Cited**

U.S. PATENT DOCUMENTS

D500,716 S * 1/2005 Hosoda et al. D12/169
D505,893 S * 6/2005 Boyer D12/169

D506,168 S * 6/2005 Chan D12/169
D508,880 S * 8/2005 Minami D12/169
D512,003 S * 11/2005 Koide D12/169
D516,968 S * 3/2006 Sakae et al. D12/169
D522,937 S * 6/2006 Tada D12/169

* cited by examiner

Primary Examiner—Melody N. Brown

(74) *Attorney, Agent, or Firm*—SAIDMAN DesignLaw Group

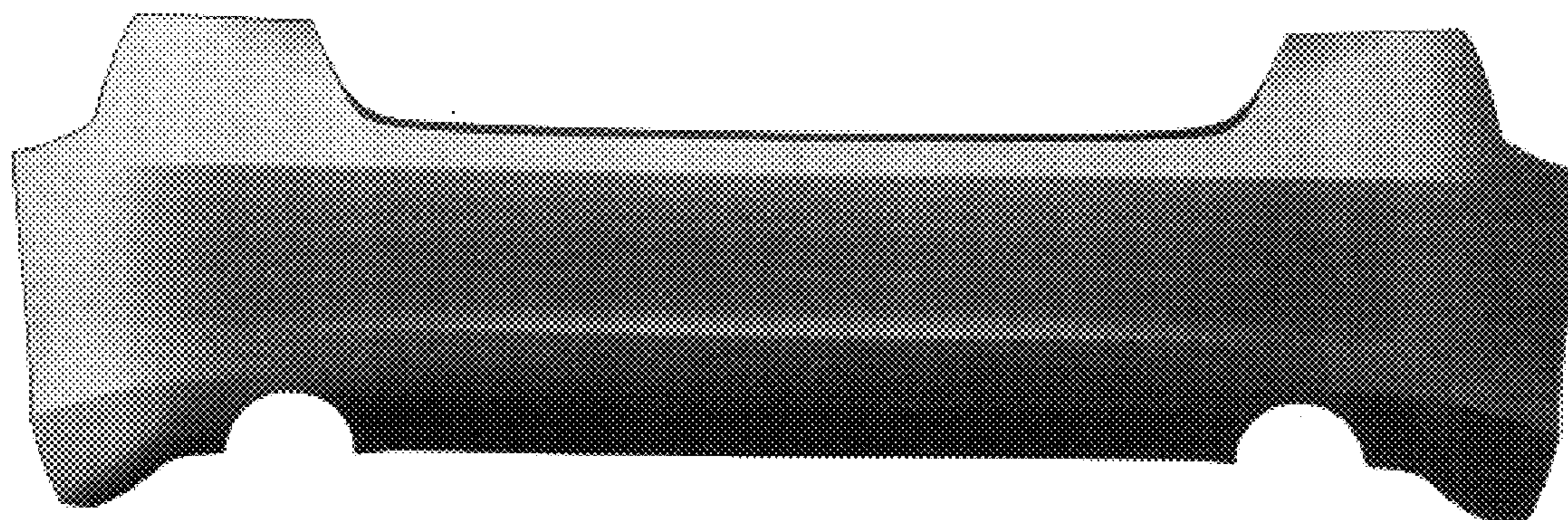
(57) **CLAIM**

The ornamental design for a rear bumper for an automobile, as shown and described.

DESCRIPTION

FIG. 1 is a front perspective view of a rear bumper for an automobile showing our new design; FIG. 2 is a front view thereof; FIG. 3 is a top view thereof; and, FIG. 4 is a right-side view thereof.

1 Claim, 2 Drawing Sheets



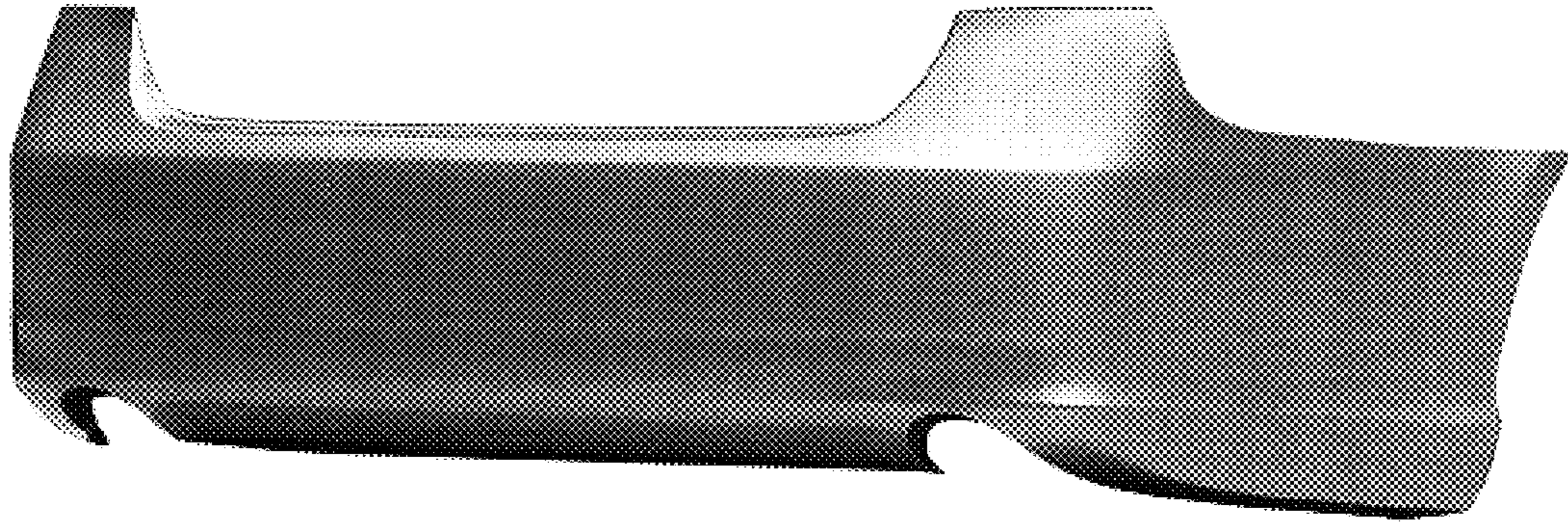


FIG. 1

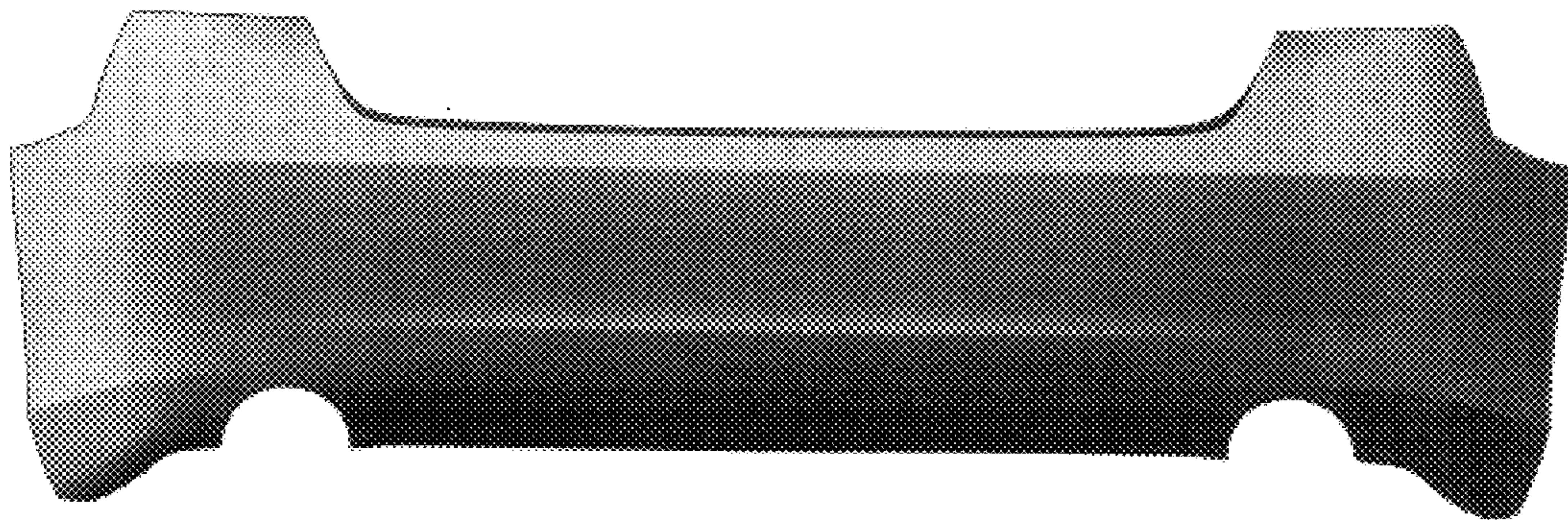


FIG. 2

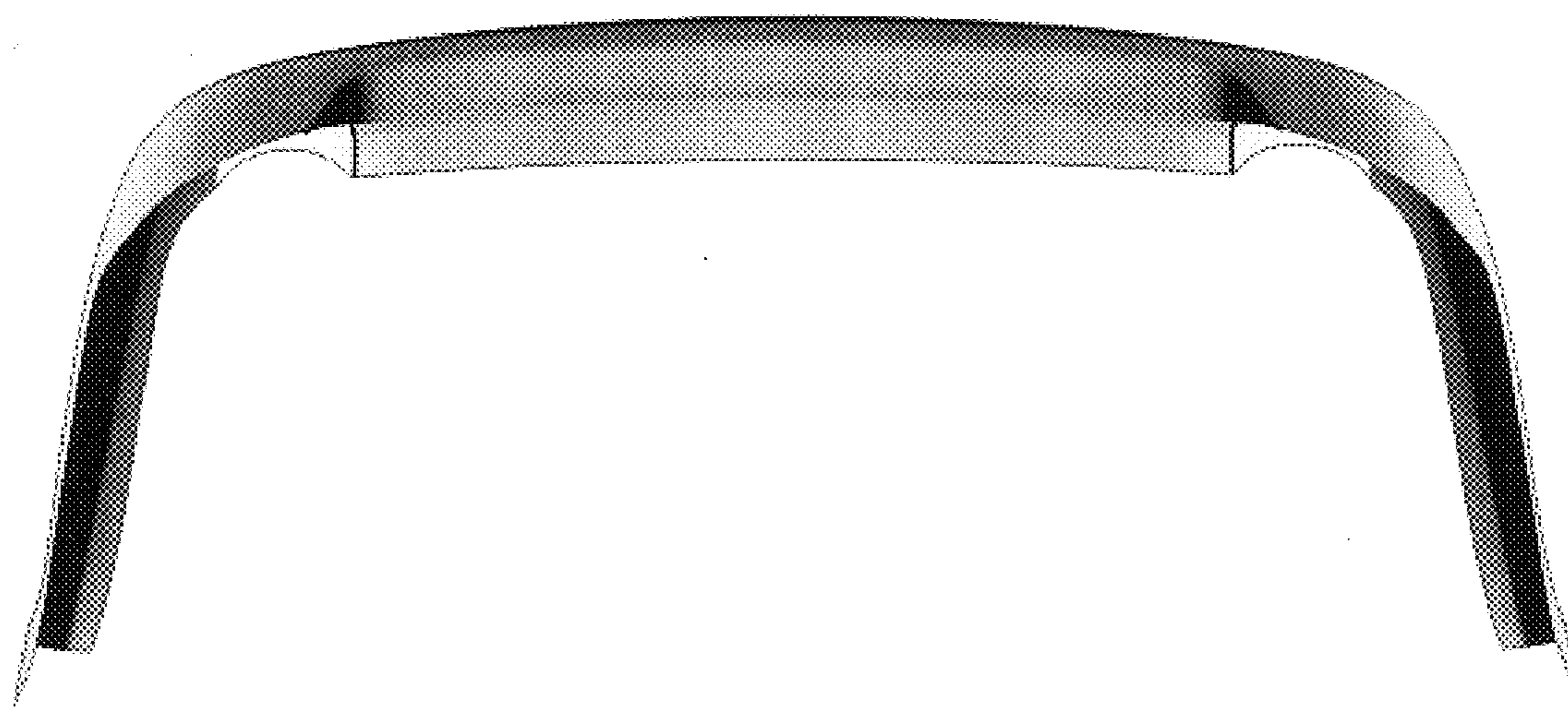


FIG. 3

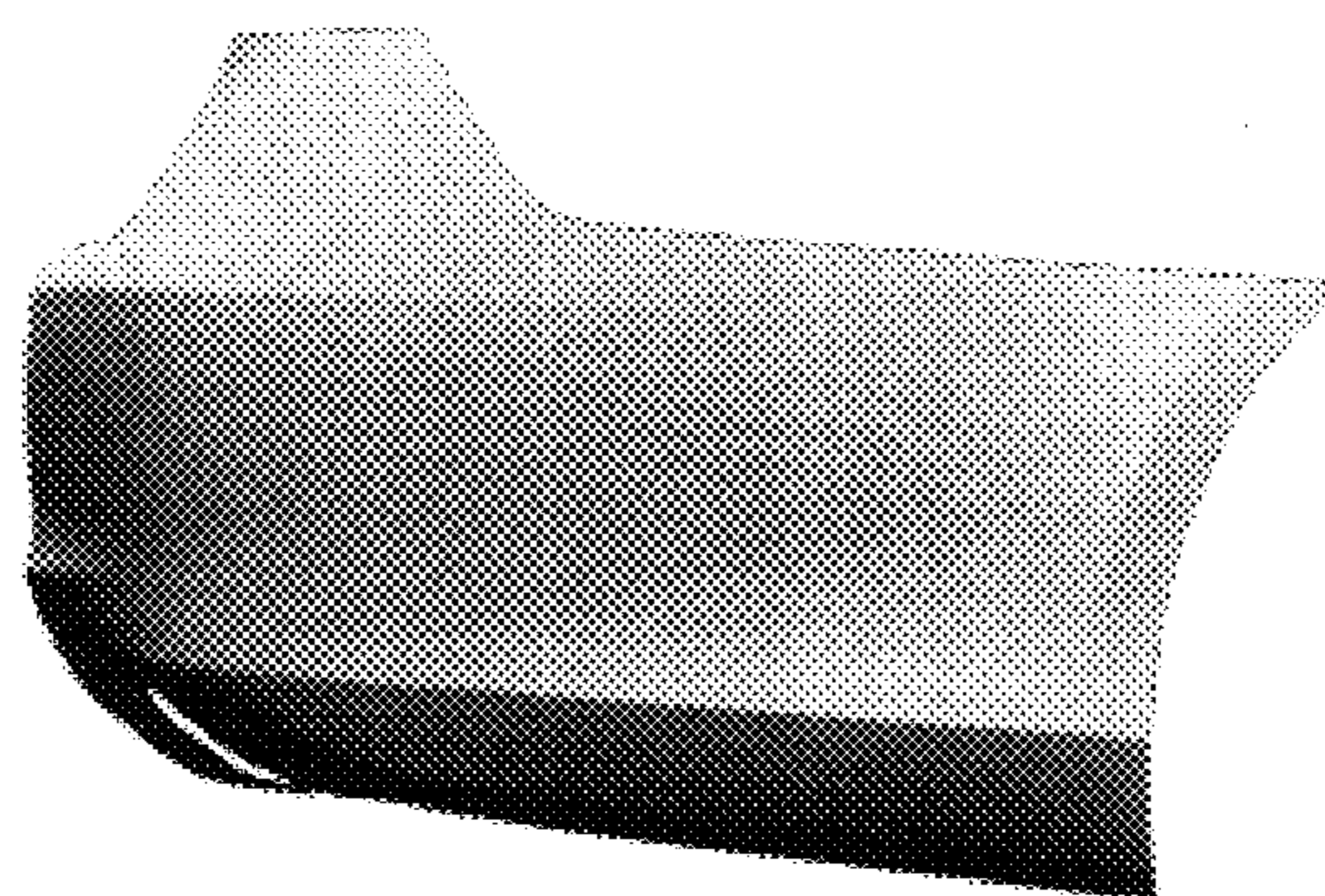


FIG. 4