



US00D533815S

(12) **United States Design Patent**  
**Matei**

(10) **Patent No.:** **US D533,815 S**

(45) **Date of Patent:** **\*\* Dec. 19, 2006**

(54) **VEHICLE GRILLE**

(75) Inventor: **Catalin Matei**, Redondo Beach, CA  
(US)

(73) Assignee: **Honda Motor Co., Ltd.**, Tokyo (JP)

(\*\*) Term: **14 Years**

(21) Appl. No.: **29/245,488**

(22) Filed: **Dec. 27, 2005**

(51) **LOC (8) Cl.** ..... **12-16**

(52) **U.S. Cl.** ..... **D12/163**

(58) **Field of Classification Search** ..... D12/163,  
D12/171, 90-92, 216, 169, 196; 180/68.1,  
180/68.6; 296/193.11; 293/102, 113, 115  
See application file for complete search history.

(56) **References Cited**

**U.S. PATENT DOCUMENTS**

D430,521 S \* 9/2000 Kitamura et al. .... D12/163

D519,890 S \* 5/2006 Sakae ..... D12/163  
D524,198 S \* 7/2006 Fukuda et al. .... D12/163  
D525,177 S \* 7/2006 Kitazumi ..... D12/163

\* cited by examiner

*Primary Examiner*—Melody N. Brown

(74) *Attorney, Agent, or Firm*—Plumsea Law Group, LLC

(57) **CLAIM**

The ornamental design for a vehicle grille, as shown and described.

**DESCRIPTION**

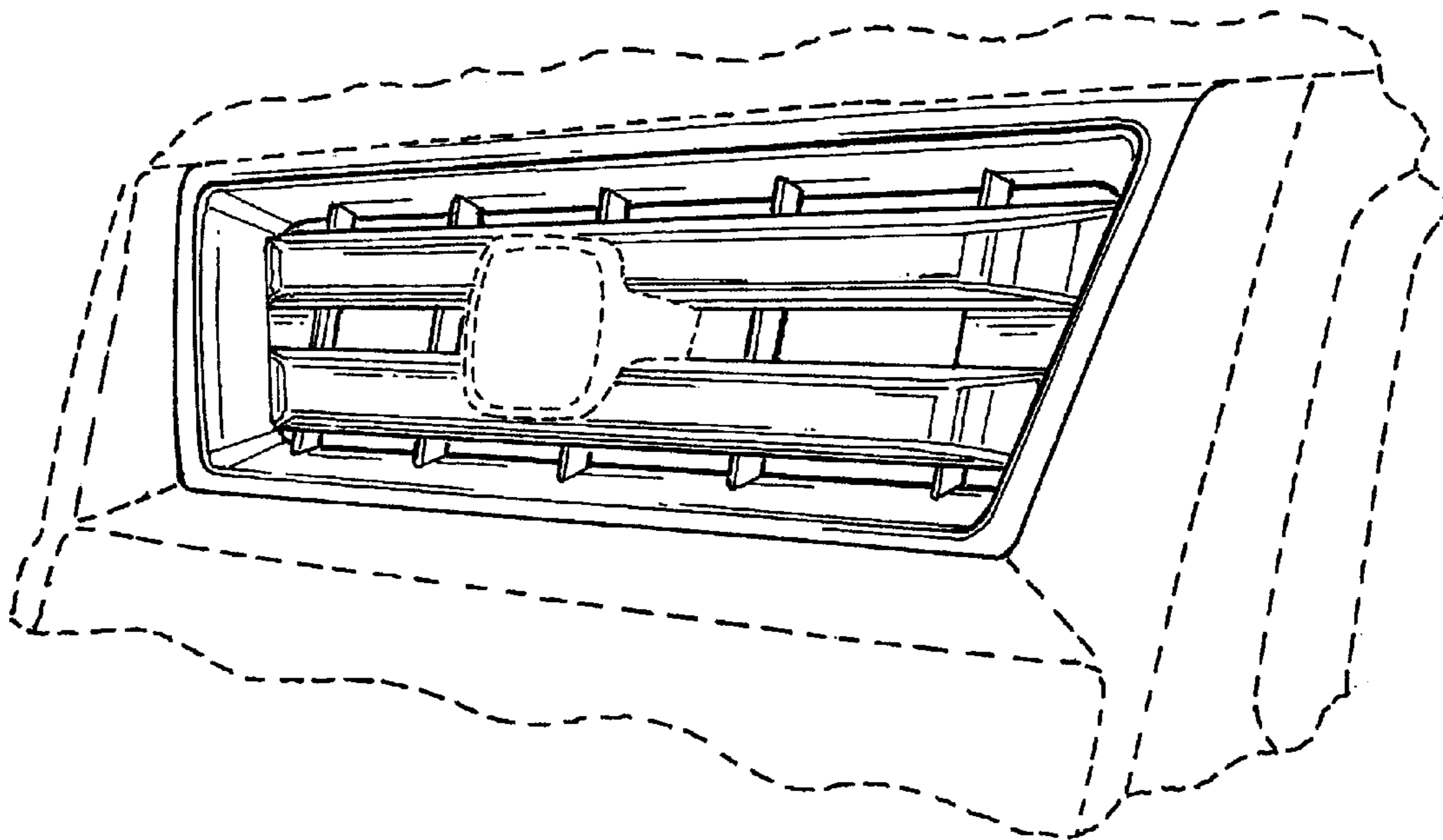
FIG. 1 is a perspective view of a vehicle grille showing my new design;

FIG. 2 is a front elevational view thereof; and,

FIG. 3 is a sectional view thereof taken through line 3—3 in FIG. 2.

The broken line showings of the center marquee and the remainder of the vehicle front are for illustrative purposes only and form no part of the claimed design.

**1 Claim, 2 Drawing Sheets**



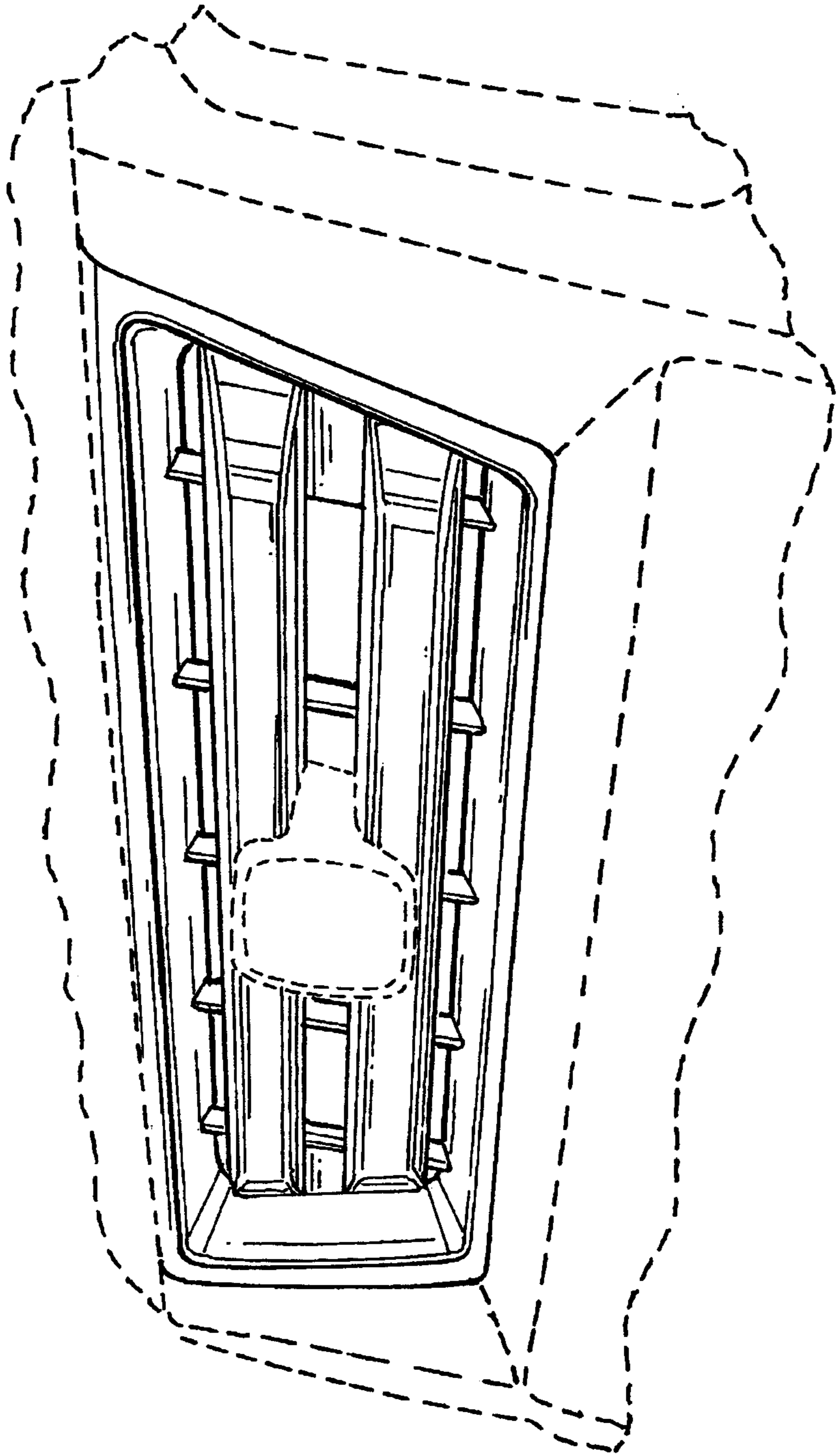


FIG. 1

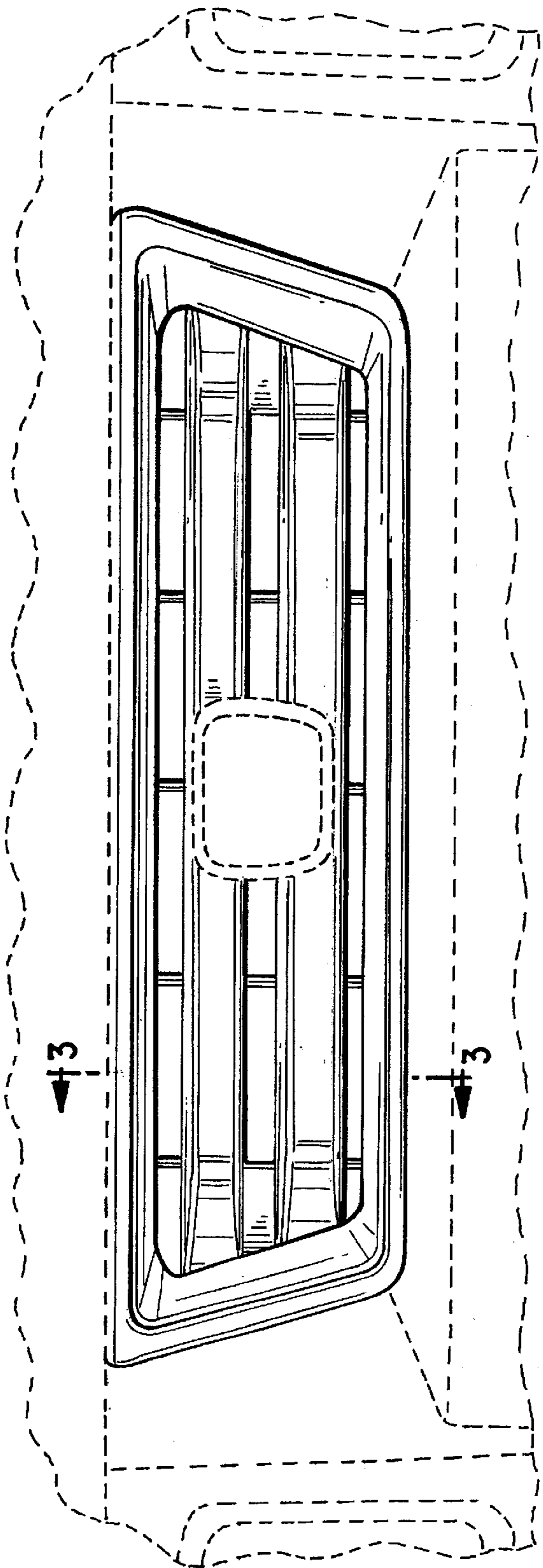


FIG. 2

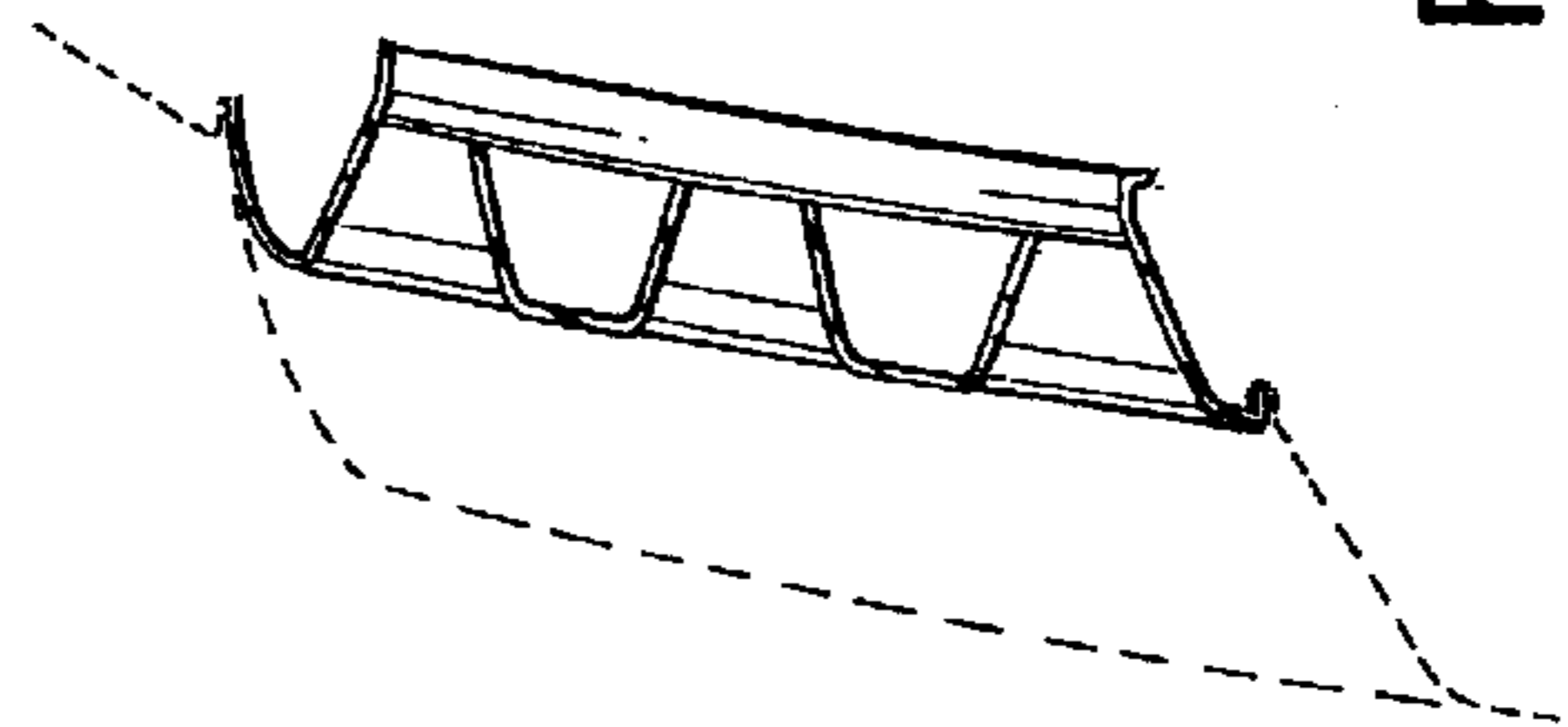


FIG. 3