



US00D533811S

(12) **United States Design Patent** (10) **Patent No.:** **US D533,811 S**
Hoisington et al. (45) **Date of Patent:** **** Dec. 19, 2006**

(54) **WOMAN'S BICYCLE FRAME**

(75) Inventors: **Gary Hoisington**, Huntington Beach, CA (US); **David Menahem**, Huntington Beach, CA (US)

(73) Assignee: **Cycle Support West, Inc.**, Huntington Beach, CA (US)

(**) Term: **14 Years**

(21) Appl. No.: **29/245,997**

(22) Filed: **Jan. 3, 2006**

(51) **LOC (8) Cl.** **12-11**

(52) **U.S. Cl.** **D12/111**

(58) **Field of Classification Search** D12/111, D12/117; 280/274-278, 281.1, 283-288, 280/288.1, 288.2, 288.3

See application file for complete search history.

4,900,049 A 2/1990 Tseng
 4,921,267 A 5/1990 Kirk
 D308,500 S 6/1990 Berg et al.
 4,941,674 A 7/1990 Trimble
 RE33,295 E 8/1990 Trimble
 D311,508 S 10/1990 Rieger et al.
 D320,962 S 10/1991 Savage
 D321,155 S 10/1991 Tan
 D321,156 S 10/1991 Browning
 D324,836 S 3/1992 Allsop et al.
 5,116,071 A 5/1992 Calfee
 D329,409 S 9/1992 Allsop et al.
 D330,354 S 10/1992 Ogden
 D331,898 S 12/1992 Muller et al.
 5,186,482 A 2/1993 Sapper
 5,188,384 A 2/1993 van Raemdonck
 5,201,537 A 4/1993 D'Aluisio
 D335,640 S 5/1993 Gasiorowski
 5,221,102 A 6/1993 Spangler
 5,222,751 A 6/1993 Chen
 5,253,890 A 10/1993 Takamiya et al.
 5,269,552 A 12/1993 Yelverton

(Continued)

(56) **References Cited**
 U.S. PATENT DOCUMENTS

3,966,230 A 6/1976 Nicol
 D243,165 S 1/1977 Wheeler
 D243,598 S 3/1977 Davidson
 D244,266 S 5/1977 Cognata et al.
 D244,593 S 6/1977 Manofsky et al.
 4,047,731 A 9/1977 VanAuken
 D251,185 S 2/1979 Cummings
 4,427,209 A 1/1984 Morita
 4,500,103 A 2/1985 Klein
 4,513,986 A 4/1985 Trimble
 4,541,648 A 9/1985 Takamiya et al.
 4,585,246 A 4/1986 Diekman et al.
 D284,646 S 7/1986 Turner
 4,613,146 A 9/1986 Sharp et al.
 D290,592 S 6/1987 Levine
 D292,074 S 9/1987 Schilpin
 4,705,286 A 11/1987 Lauzier et al.
 4,746,136 A 5/1988 Kirk
 4,792,150 A 12/1988 Groendal et al.
 4,813,696 A 3/1989 Moulton
 D303,777 S 10/1989 Levine
 4,889,355 A 12/1989 Trimble

Primary Examiner—Freda Nunn
Assistant Examiner—Linda Brooks
 (74) *Attorney, Agent, or Firm*—Stetina Brunda Garred & Brucker

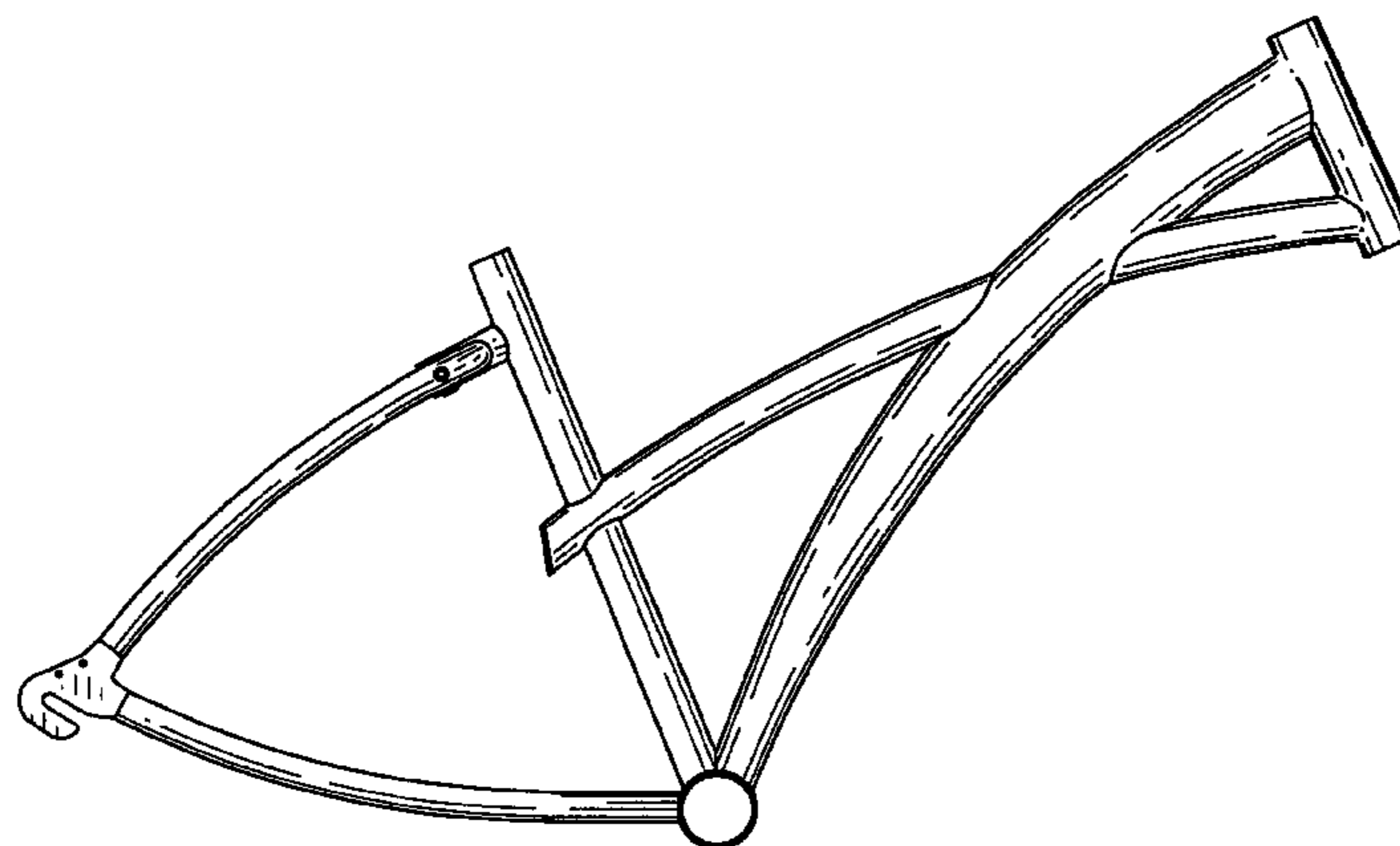
(57) **CLAIM**

The ornamental design for a woman's bicycle frame, as shown and described.

DESCRIPTION

FIG. 1 is a top plan view of a woman's bicycle frame of the present invention showing our new design;
 FIG. 2 is rear elevational view thereof;
 FIG. 3 is side elevational view thereof;
 FIG. 4 is front end view thereof;
 FIG. 5 is a bottom plan view thereof; and,
 FIG. 6 is a side elevational view thereof with the broken lines depicting solely environmental structure and forming no part of the claimed design.

1 Claim, 2 Drawing Sheets



US D533,811 S

Page 2

U.S. PATENT DOCUMENTS

| | | | | | |
|-------------|---------|------------------|--------------|---------|--------------------|
| D343,147 S | 1/1994 | Cognata et al. | D410,217 S | 5/1999 | Tsang-Chun |
| D343,598 S | 1/1994 | Southwell et al. | D411,145 S | 6/1999 | Shankin |
| D343,600 S | 1/1994 | Moore | 5,911,429 A | 6/1999 | Shiau |
| 5,290,053 A | 3/1994 | Barts et al. | 5,947,500 A | 9/1999 | McGrane |
| D349,869 S | 8/1994 | Burrows et al. | D415,071 S | 10/1999 | Lai |
| 5,335,929 A | 8/1994 | Takagaki et al. | D418,778 S | 1/2000 | Allen et al. |
| 5,360,225 A | 11/1994 | Chen | D419,110 S | 1/2000 | Allen et al. |
| 5,370,411 A | 12/1994 | Takamiya et al. | D419,111 S | 1/2000 | Allen et al. |
| D357,651 S | 4/1995 | Isaac et al. | D419,492 S | 1/2000 | Egger et al. |
| 5,415,423 A | 5/1995 | Allsop et al. | 6,012,733 A | 1/2000 | Rafoth |
| D359,935 S | 7/1995 | Thompson | 6,017,048 A | 1/2000 | Fritschen |
| 5,451,071 A | 9/1995 | Pong et al. | D419,923 S | 2/2000 | Kciuk |
| 5,456,481 A | 10/1995 | Allsop et al. | D420,310 S | 2/2000 | Spriggs et al. |
| 5,456,482 A | 10/1995 | Rau, II | 6,032,971 A | 3/2000 | Herder |
| D364,365 S | 11/1995 | Lin et al. | 6,086,080 A | 7/2000 | Scheffer |
| 5,470,092 A | 11/1995 | Fardy | D430,070 S | 8/2000 | Kciuk |
| 5,498,013 A | 3/1996 | Hwang | D430,509 S | 9/2000 | Stocksmeier |
| D368,678 S | 4/1996 | Wilcox et al. | 6,135,478 A | 10/2000 | Montague |
| D368,679 S | 4/1996 | Dietz et al. | D435,234 S | 12/2000 | Reinke |
| D369,330 S | 4/1996 | Hill et al. | 6,170,845 B1 | 1/2001 | Tseng |
| D369,574 S | 5/1996 | Clarke | D445,364 S | 7/2001 | Litke |
| D370,436 S | 6/1996 | Warren et al. | 6,293,574 B1 | 9/2001 | Storck |
| D371,093 S | 6/1996 | Allsop et al. | D460,026 S | 7/2002 | Lee |
| D372,002 S | 7/1996 | Busby et al. | D460,932 S | 7/2002 | Kokatsu et al. |
| 5,544,907 A | 8/1996 | Lin et al. | 6,497,427 B1 | 12/2002 | D'Alusio et al. |
| RE35,335 E | 9/1996 | Calfee | D478,299 S | 8/2003 | Hartman |
| D375,282 S | 11/1996 | Lee | D486,424 S | 2/2004 | Sagan |
| D377,464 S | 1/1997 | Kciuk | D490,027 S | 5/2004 | Gonzalez-Quevado |
| D377,465 S | 1/1997 | Kciuk | D497,575 S | 10/2004 | Blankenship |
| D379,163 S | 5/1997 | Lai | D500,465 S | 1/2005 | Gunter et al. |
| D379,949 S | 6/1997 | Falvey, Jr. | 6,837,506 B1 | 1/2005 | Amos |
| D380,990 S | 7/1997 | Chien | 6,845,998 B1 | 1/2005 | Probst |
| D381,941 S | 8/1997 | Chan | D503,662 S | 4/2005 | Tiyawatchalapong |
| D383,100 S | 9/1997 | Lee | 6,880,846 B1 | 4/2005 | Schonfeld |
| D384,307 S | 9/1997 | Fisher | 6,889,992 B1 | 5/2005 | Vroomen et al. |
| D385,229 S | 10/1997 | Chan | 6,893,036 B1 | 5/2005 | Groendal et al. |
| D386,451 S | 11/1997 | Liao | D505,891 S | 6/2005 | Drew et al. |
| D392,602 S | 3/1998 | Silva | D507,210 S | 7/2005 | Kuchenbrod |
| D393,432 S | 4/1998 | Yelverton | D507,768 S | 7/2005 | Tomlinson et al. |
| D396,670 S | 8/1998 | Waserhess et al. | D510,547 S | 10/2005 | Blankenship et al. |
| D396,831 S | 8/1998 | Aprilante et al. | 6,953,202 B1 | 10/2005 | Chamberlain et al. |
| 5,794,958 A | 8/1998 | Hsiao | D512,664 S | 12/2005 | Schreier |
| D398,267 S | 9/1998 | Yu et al. | D513,210 S | 12/2005 | Piszkin |
| 5,803,477 A | 9/1998 | Reisinger | D514,030 S | 1/2006 | Stack |
| D401,187 S | 11/1998 | Ninic et al. | D514,031 S | 1/2006 | Drew et al. |
| D402,926 S | 12/1998 | Kciuk | D514,032 S | 1/2006 | Drew et al. |
| 5,842,711 A | 12/1998 | Legerot | D516,469 S | 3/2006 | Reinke |
| D405,030 S | 2/1999 | Frost et al. | D517,452 S | 3/2006 | Hickman |

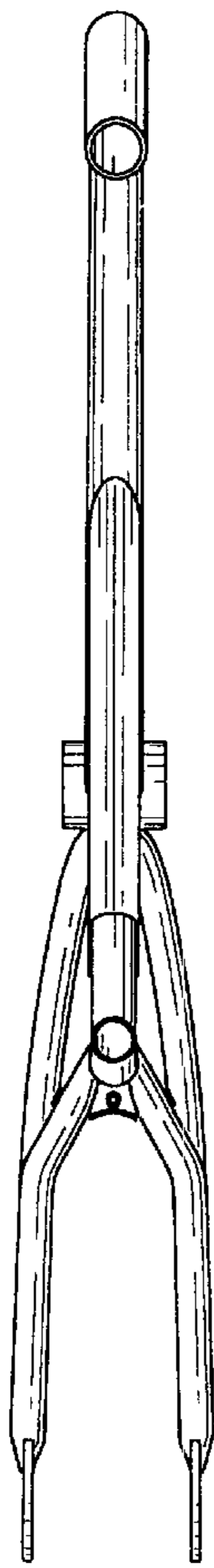


Fig. 1

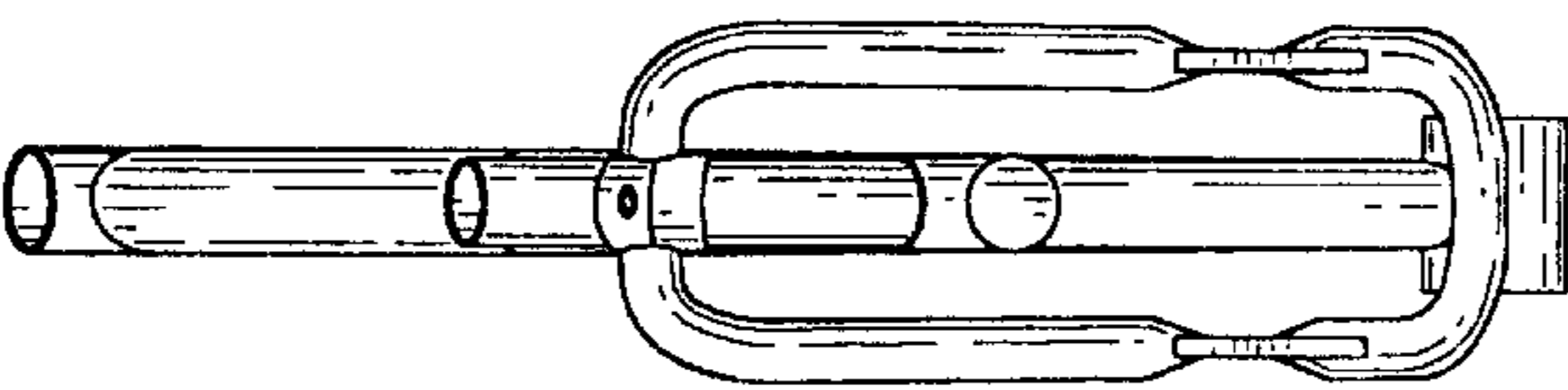


Fig. 2

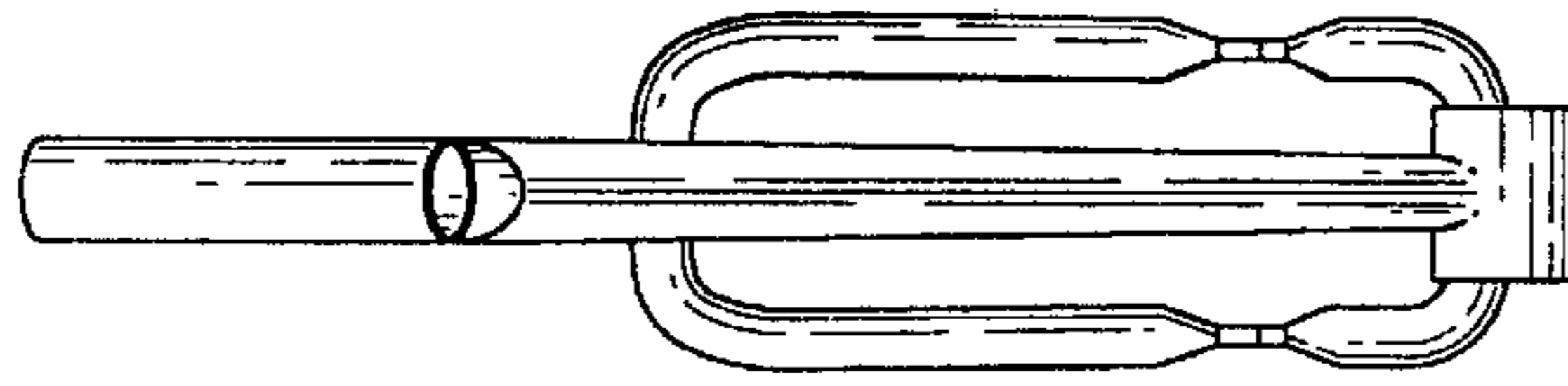


Fig. 4

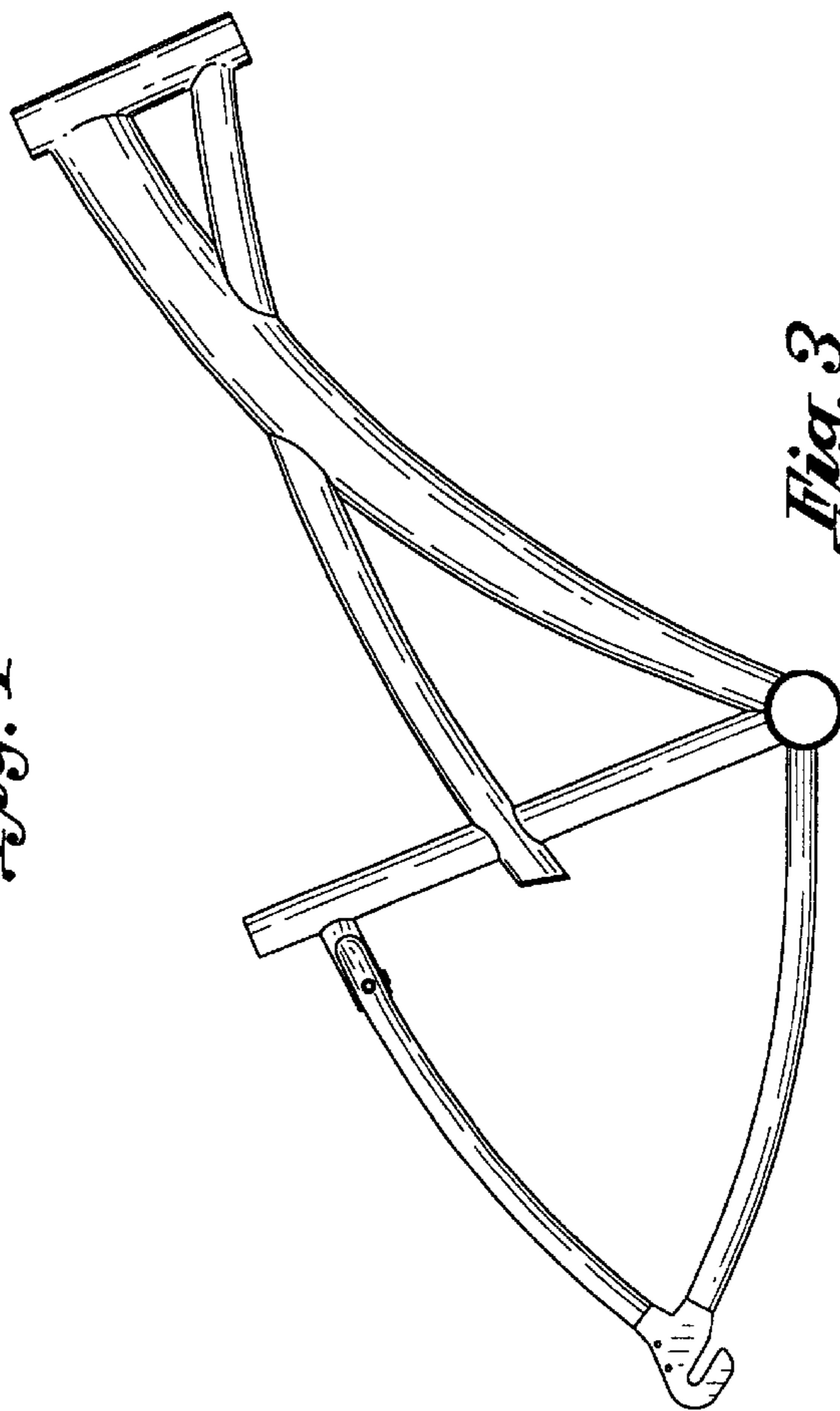


Fig. 3

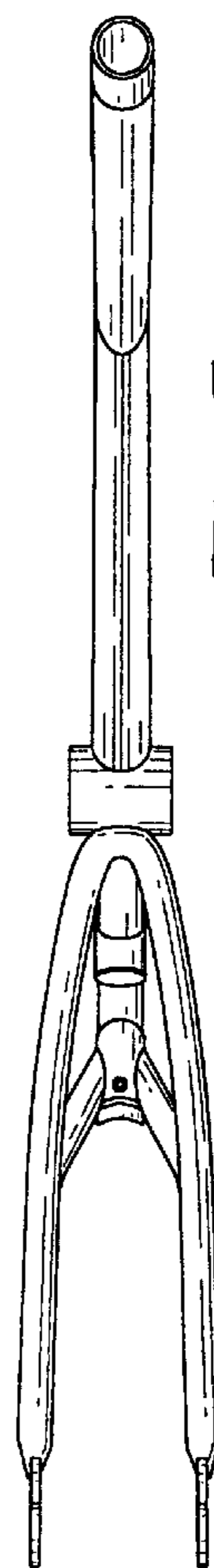


Fig. 5

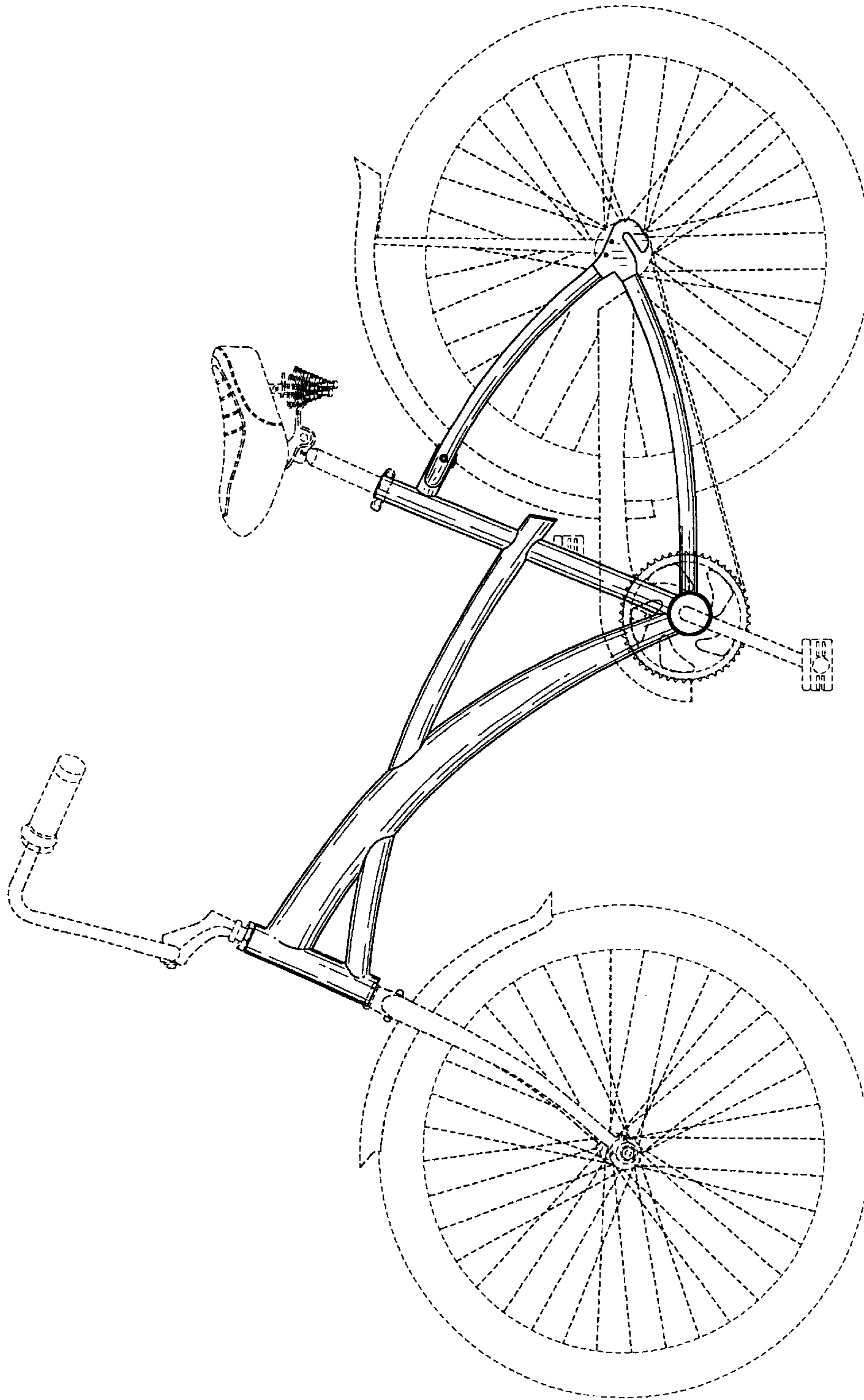


Fig. 6