

US00D533810S

(12) **United States Design Patent**  
**Metsugi et al.**

(10) **Patent No.:** **US D533,810 S**

(45) **Date of Patent:** **\*\* Dec. 19, 2006**

(54) **MOTOR VEHICLE AND/OR TOY REPLICA THEREOF**

D519,882 S \* 5/2006 Kawasaki et al. .... D12/92

**OTHER PUBLICATIONS**

(75) Inventors: **Hiroyuki Metsugi**, Aichi-ken (JP);  
**Shin Miyata**, Aichi-ken (JP);  
**Mitsunori Miyazaki**, Aichi-ken (JP);  
**Tatsuya Sonoda**, Aichi-ken (JP);  
**Nicholas Hogios**, Port Melbourne (AU)

Mazda, Atenza, All About Atenza, Jul. 19, 2002, Sanei-Shobo Publishing Co., Ltd.

Adam Opel AG, Vectora GTS, Brochure of Vectora GTS, Sep., 2004.

\* cited by examiner

(73) Assignee: **Toyota Jidosha Kabushiki Kaisha** (JP)

*Primary Examiner*—Melody N. Brown

(\*\*) Term: **14 Years**

(74) *Attorney, Agent, or Firm*—SAIDMAN DesignLaw Group

(21) Appl. No.: **29/245,648**

(57) **CLAIM**

(22) Filed: **Dec. 27, 2005**

The ornamental design for a motor vehicle and/or toy replica thereof, as shown and described.

(51) **LOC (8) Cl.** ..... **12-08**

(52) **U.S. Cl.** ..... **D12/92**

(58) **Field of Classification Search** ..... D12/90–92,  
D12/86, 88; D21/424, 433; 296/181.1, 181.5  
See application file for complete search history.

**DESCRIPTION**

FIG. 1 is a front perspective view of a motor vehicle and/or toy replica thereof showing our new design; FIG. 2 is a rear perspective view thereof; FIG. 3 is a right-side view thereof; FIG. 4 is a top view thereof; FIG. 5 is a front view thereof; and, FIG. 6 is a rear view thereof.

(56) **References Cited**

**U.S. PATENT DOCUMENTS**

- D516,958 S \* 3/2006 Sakae et al. .... D12/92
- D518,415 S \* 4/2006 Matsumoto et al. .... D12/92
- D518,757 S \* 4/2006 Matsumoto et al. .... D12/92
- D519,059 S \* 4/2006 Tomida et al. .... D12/92

**1 Claim, 2 Drawing Sheets**



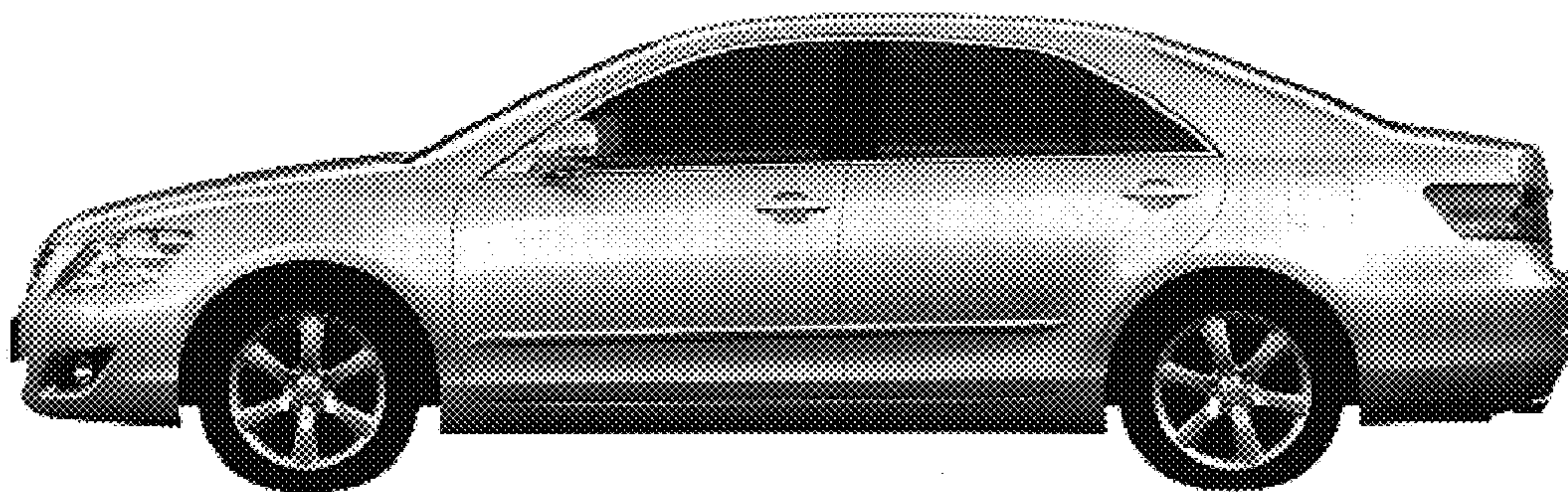




**FIG. 1**

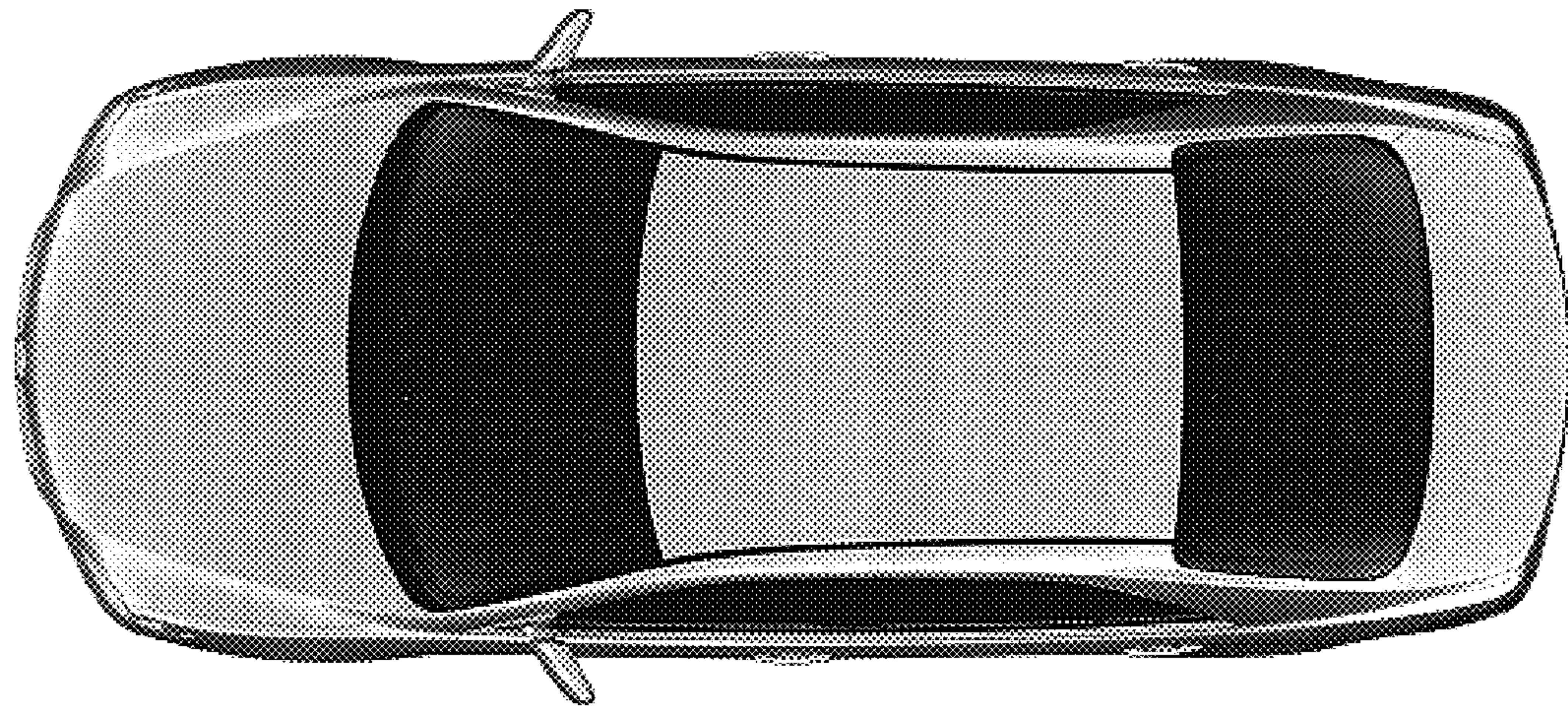


**FIG. 2**



**FIG. 3**

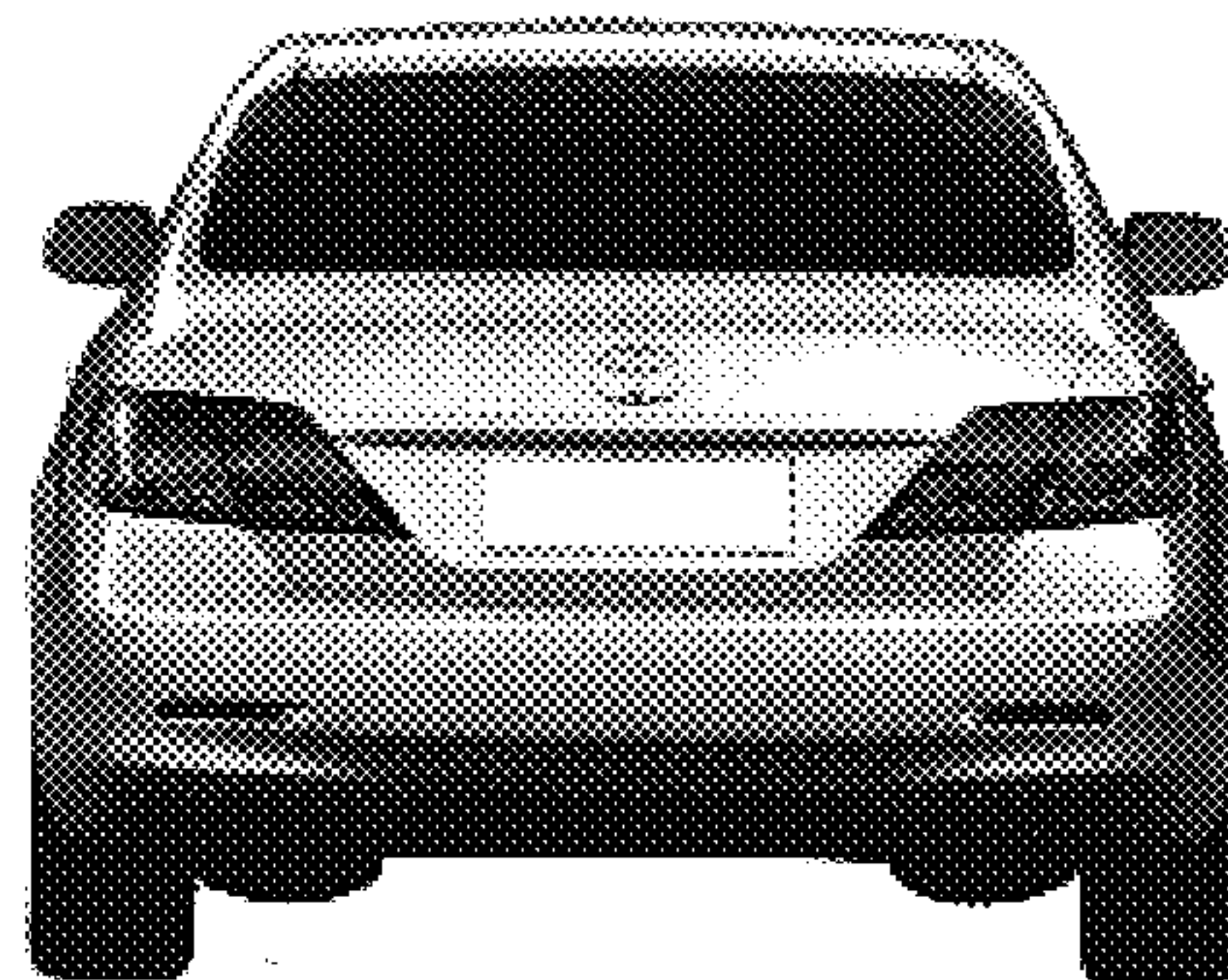




**FIG. 4**



**FIG. 5**



**FIG. 6**