



US00D533807S

(12) **United States Design Patent**
English

(10) **Patent No.:** **US D533,807 S**

(45) **Date of Patent:** **** Dec. 19, 2006**

(54) **SNAP-BUCKLES FOR ELASTIC BELT BAND**

(75) Inventor: **Thomas P. English**, Honolulu, HI (US)

(73) Assignee: **Speaks, Inc.**, Honolulu, HI (US)

(**) Term: **14 Years**

(21) Appl. No.: **29/210,449**

(22) Filed: **Jul. 30, 2004**

(51) **LOC (8) Cl.** **02-07**

(52) **U.S. Cl.** **D11/212**

(58) **Field of Classification Search** D11/200,
D11/201, 208–210, 212–218, 220, 230–234,
D11/237, 86–87, 94; 63/15.2, 15; 24/307,
24/625, 616, 200, 196, 171, 169, 112, 701,
24/668, 666, 698.3, 319

See application file for complete search history.

(56) **References Cited**

U.S. PATENT DOCUMENTS

585,071	A	*	6/1897	Adams	24/319
734,951	A	*	7/1903	Raper	24/698.3
1,085,914	A	*	2/1914	Humphrey	24/319
1,354,095	A	*	9/1920	Evans	24/701
2,107,453	A	*	2/1938	Stuart	24/474
2,140,333	A	*	12/1938	Reiter	24/265 A
2,403,712	A	*	7/1946	Elwell	24/320
3,081,506	A	*	3/1963	Higuchi	24/701
D306,272	S	*	2/1990	Kruger	D11/212
D396,827	S	*	8/1998	Luk	D11/212

D413,079	S	*	8/1999	Kobayashi	D11/212
D454,812	S	*	3/2002	Luk	D11/212
D480,841	S	*	10/2003	Bird	D30/138

OTHER PUBLICATIONS

Dritz Overall Buckle, product brochure, Jun. 2004.

* cited by examiner

Primary Examiner—Ralf Seifert

(74) *Attorney, Agent, or Firm*—Leighton K. Chong;
Godbey Griffiths Reiss & Chong

(57) **CLAIM**

The ornamental design for snap-buckles for elastic belt band, as shown and described.

DESCRIPTION

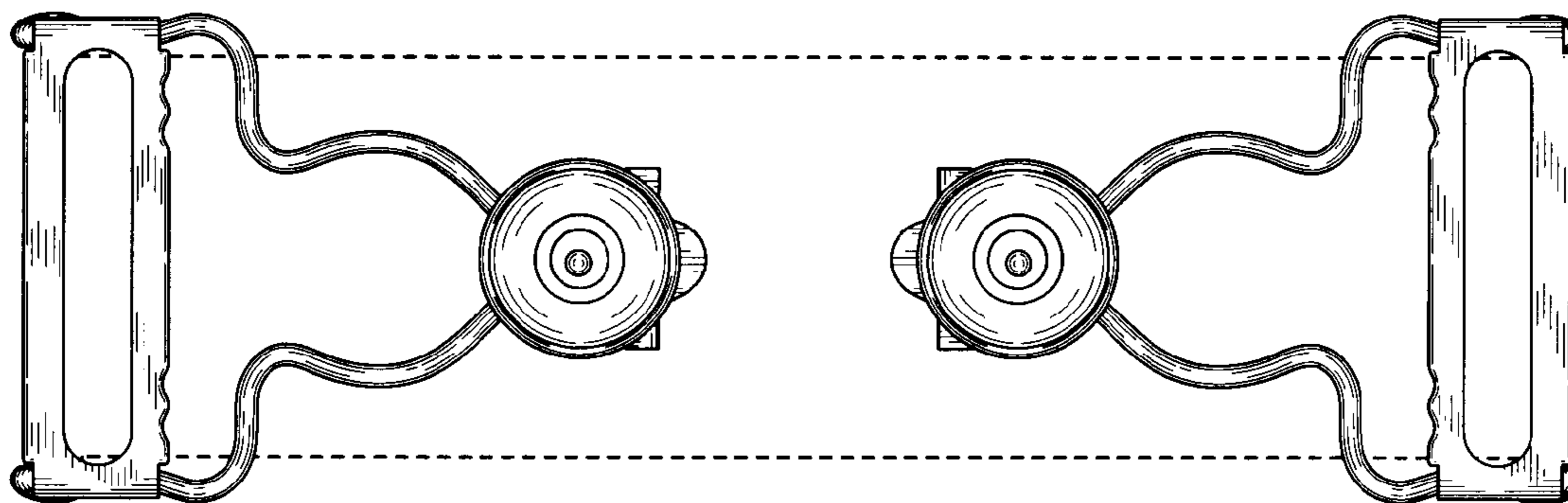
FIG. 1 is a front view of my new design for a pair of snap buckles for attaching an elastic belt bands (shown in phantom line) to two belt-loops of a garment waistband (not shown);

FIG. 2 is a side elevation view of the article shown in FIG. 1, of which the right side elevation view is a mirror image of the left side elevation view;

FIG. 3 is a bottom elevation view of the articles shown in FIG. 1, of which the top elevation view is a mirror image of the bottom side elevation view; and,

FIG. 4 is a side perspective view of the article shown in FIG. 1.

1 Claim, 4 Drawing Sheets



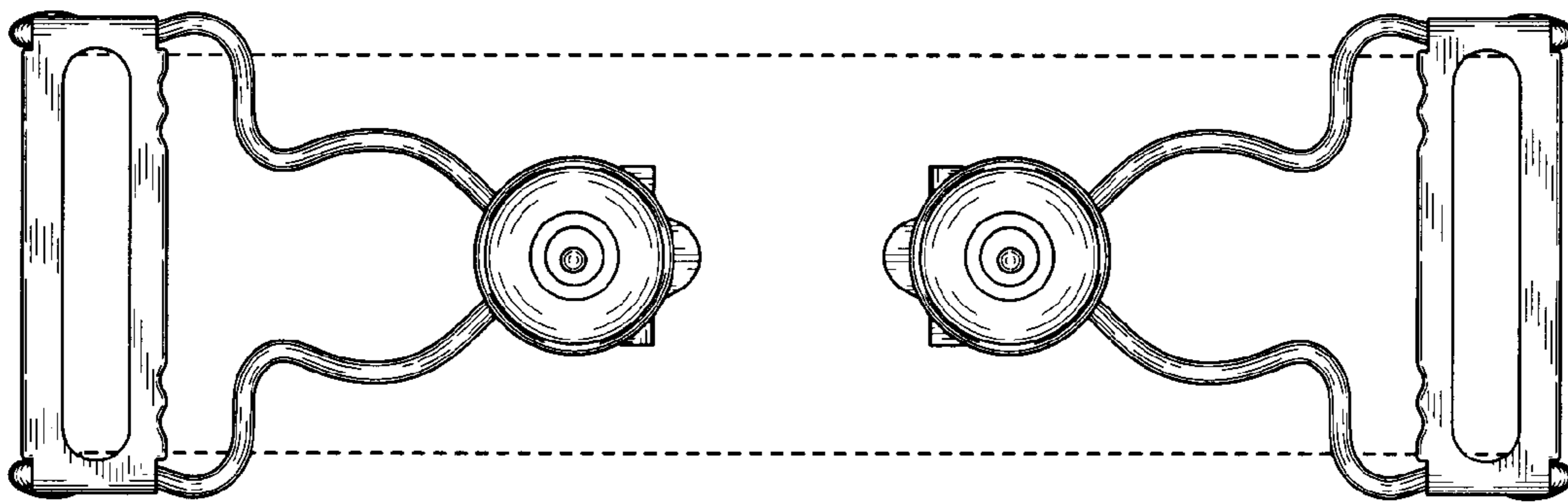


FIG. 1

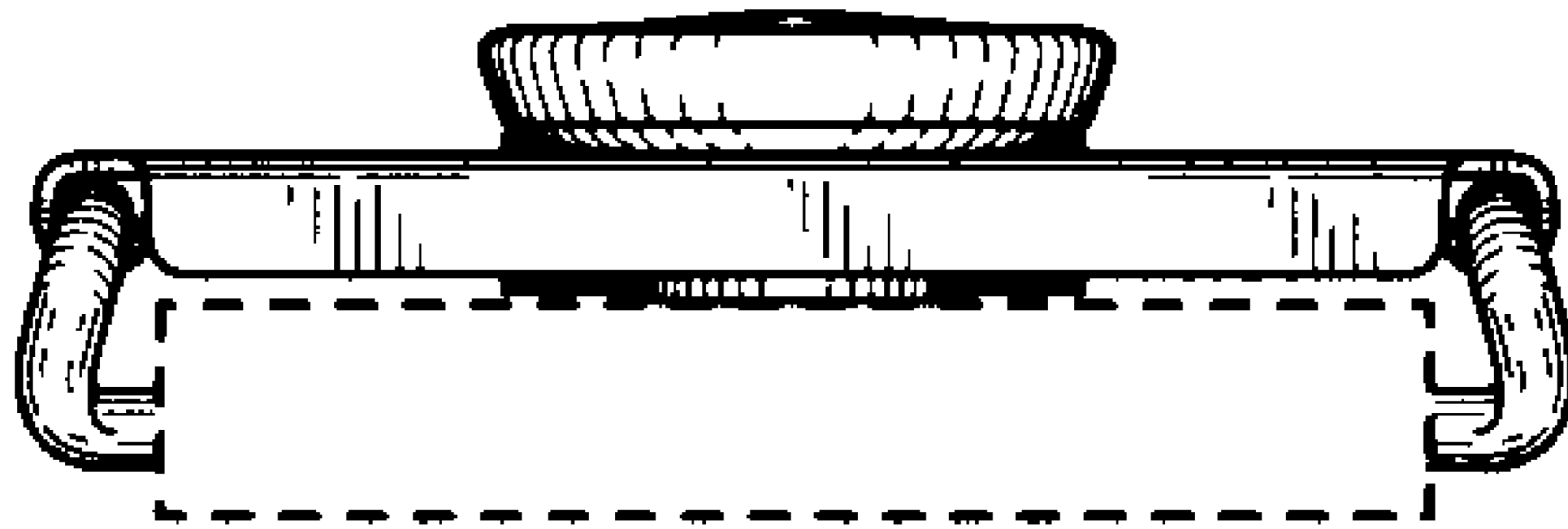


FIG. 2

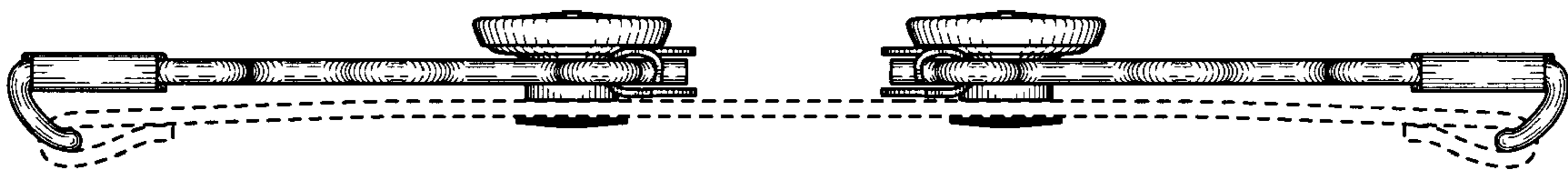


FIG. 3

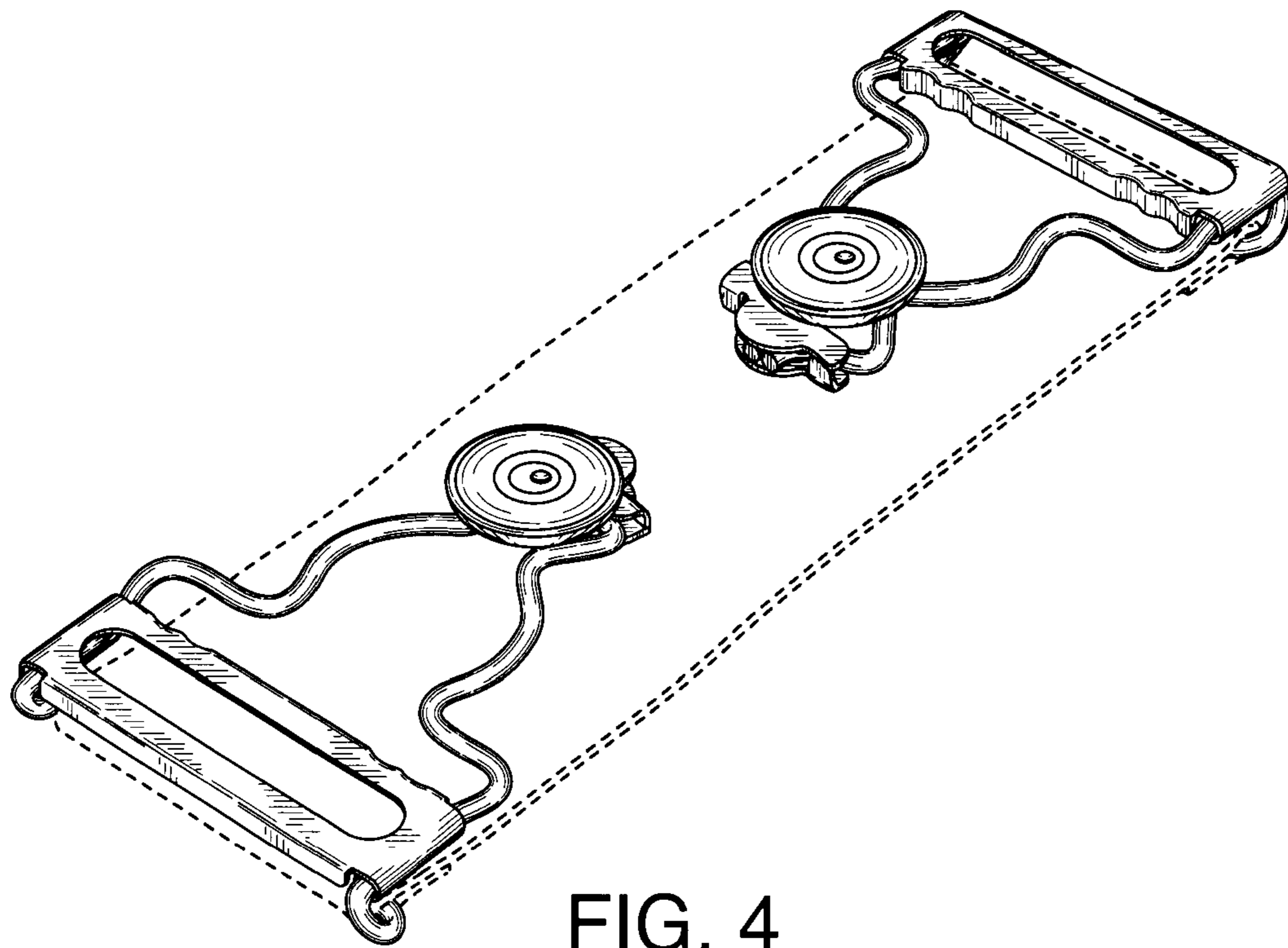


FIG. 4