



US00D533806S

(12) **United States Design Patent**
Kaneko et al.

(10) **Patent No.:** **US D533,806 S**

(45) **Date of Patent:** **** Dec. 19, 2006**

(54) **ADVERTISING DEVICE**

(75) Inventors: **Masahisa Kaneko**, Yokohama (JP);
Seiichi Boku, Kawaguchi (JP)

(73) Assignee: **Casio Keisanki Kabushiki Kaisha**,
Tokyo (JP)

(**) Term: **14 Years**

(21) Appl. No.: **29/245,567**

(22) Filed: **Dec. 22, 2005**

(51) **LOC (8) Cl.** **11-02**

(52) **U.S. Cl.** **D11/131; D6/396; D6/449**

(58) **Field of Classification Search** D6/401,
D6/449, 396, 397, 460, 474, 477; D10/1,
D10/2, 4, 45; D11/117-164; D19/95-97;
D20/10, 12, 19, 20, 21, 41; D14/230, 235;
40/1, 584, 585; 428/542.2, 542.4
See application file for complete search history.

(56) **References Cited**

U.S. PATENT DOCUMENTS

D114,170 S	*	4/1939	Bowen et al.	D6/474
D149,314 S	*	4/1948	Shapiro	D9/502
D193,380 S	*	8/1962	Kirk et al.	D20/41
3,806,126 A	*	4/1974	Gilbert	273/253

D249,474 S	*	9/1978	Wagoner	D10/45
D250,582 S	*	12/1978	Safer	D11/131
D288,154 S	*	2/1987	Hobgood	D6/466
D296,306 S	*	6/1988	Poignant	D10/45
D354,870 S	*	1/1995	Oliver et al.	D6/474
D380,319 S	*	7/1997	Sica et al.	D6/474
D383,463 S	*	9/1997	MacDonald et al.	D14/230
D498,674 S	*	11/2004	Smouha	D9/418
D512,939 S	*	12/2005	Anderson	D11/131

* cited by examiner

Primary Examiner—Catherine Tuttle

(74) *Attorney, Agent, or Firm*—Frishauf, Holtz, Goodman & Chick, P.C.

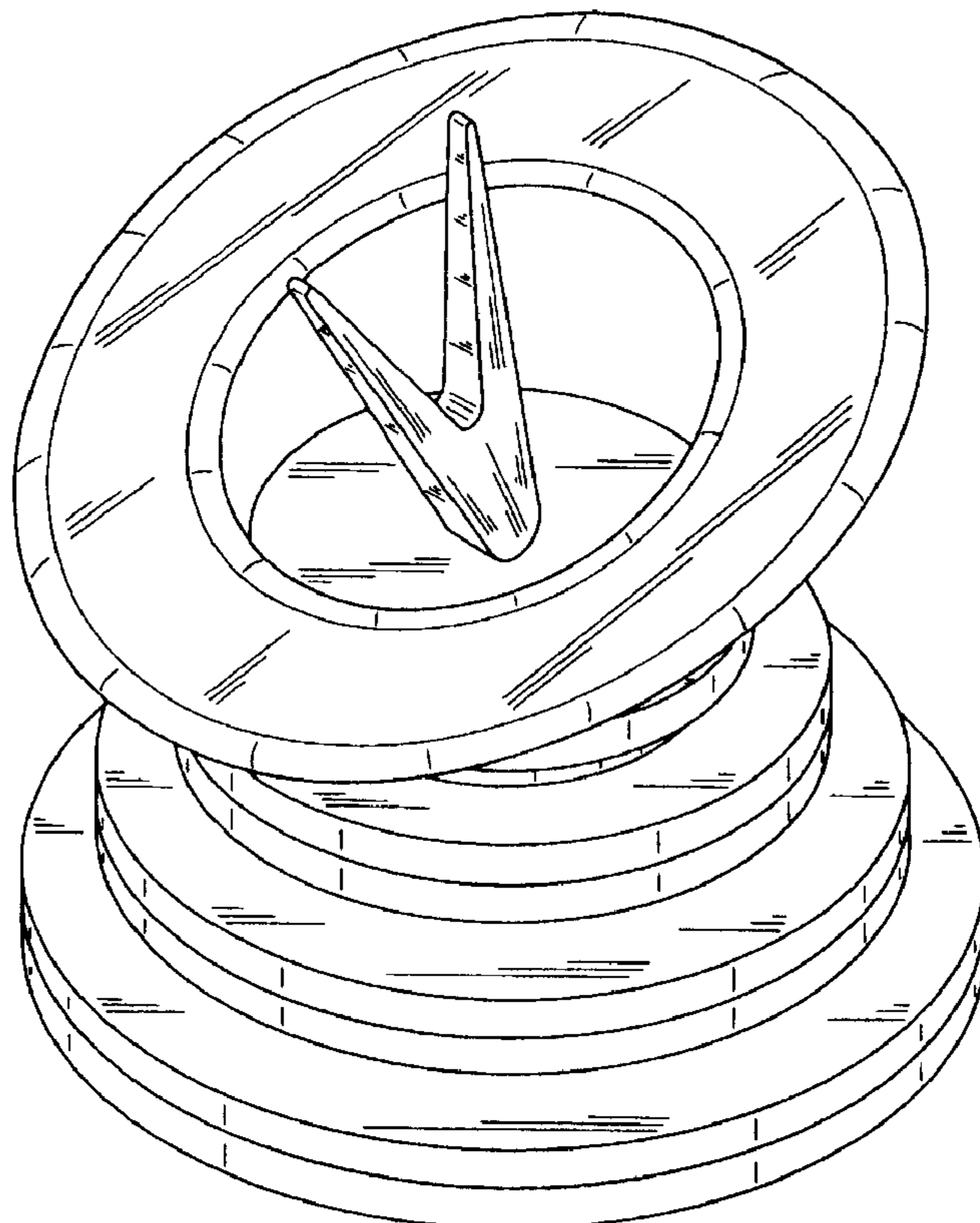
(57) **CLAIM**

The ornamental design for an advertising device, as shown.

DESCRIPTION

FIG. 1 is a front, right side, top perspective view of an advertising device showing our new design; FIG. 2 is a front elevational view thereof; FIG. 3 is a rear elevational view thereof; FIG. 4 is a left side view thereof; FIG. 5 is a right side view thereof; FIG. 6 is a top plan view thereof; and, FIG. 7 is a bottom plan view thereof.

1 Claim, 7 Drawing Sheets



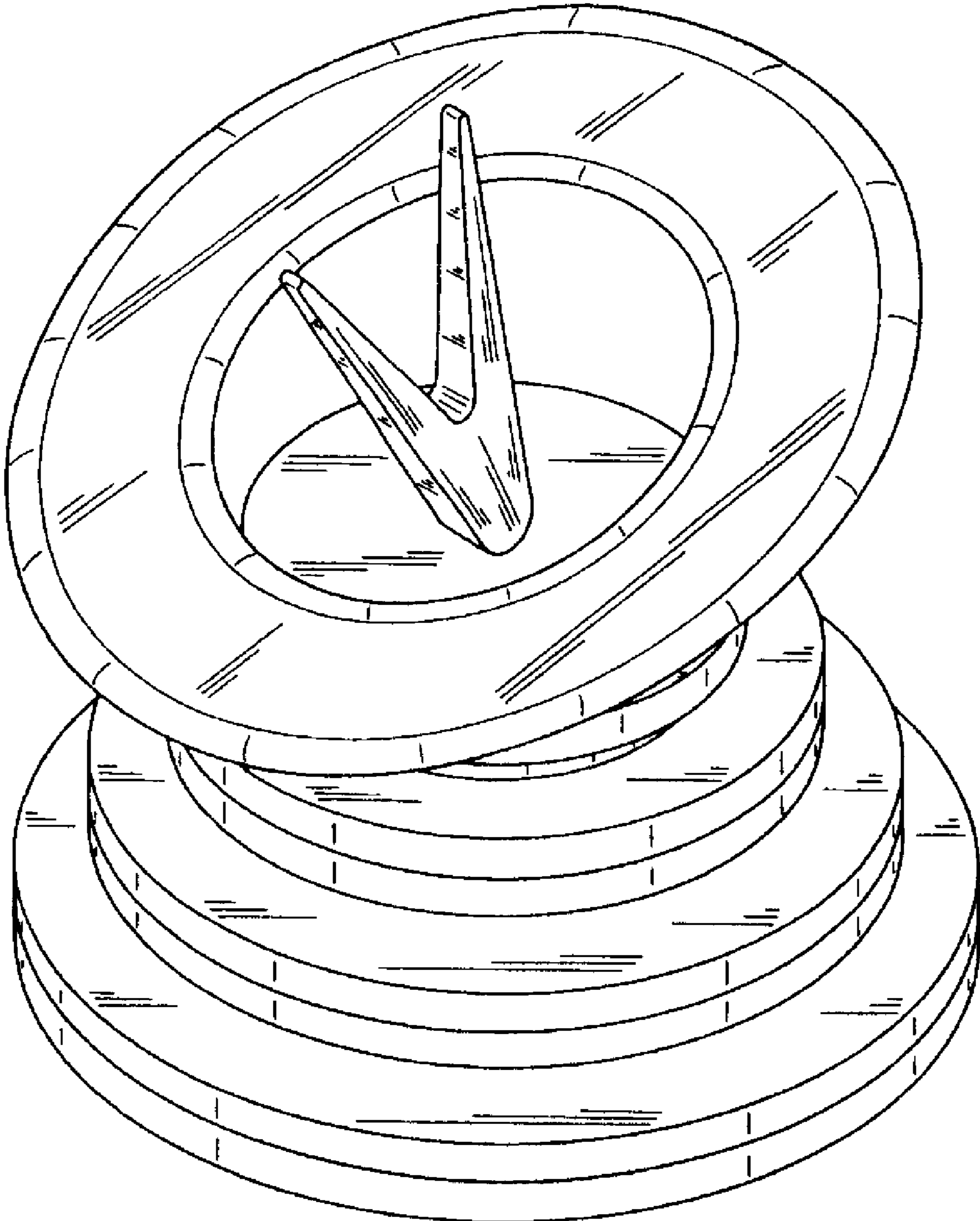


FIG. 1

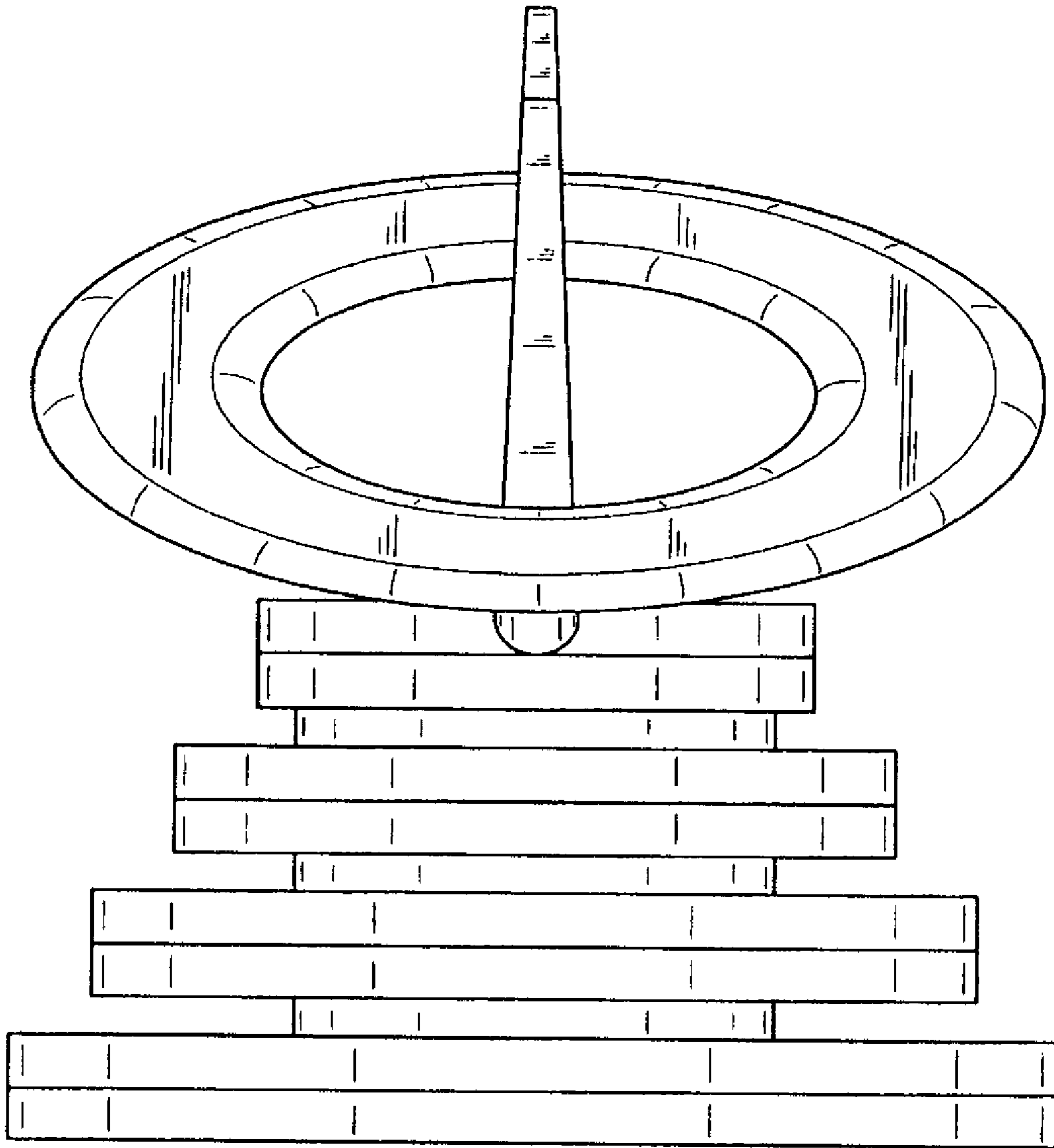


FIG. 2

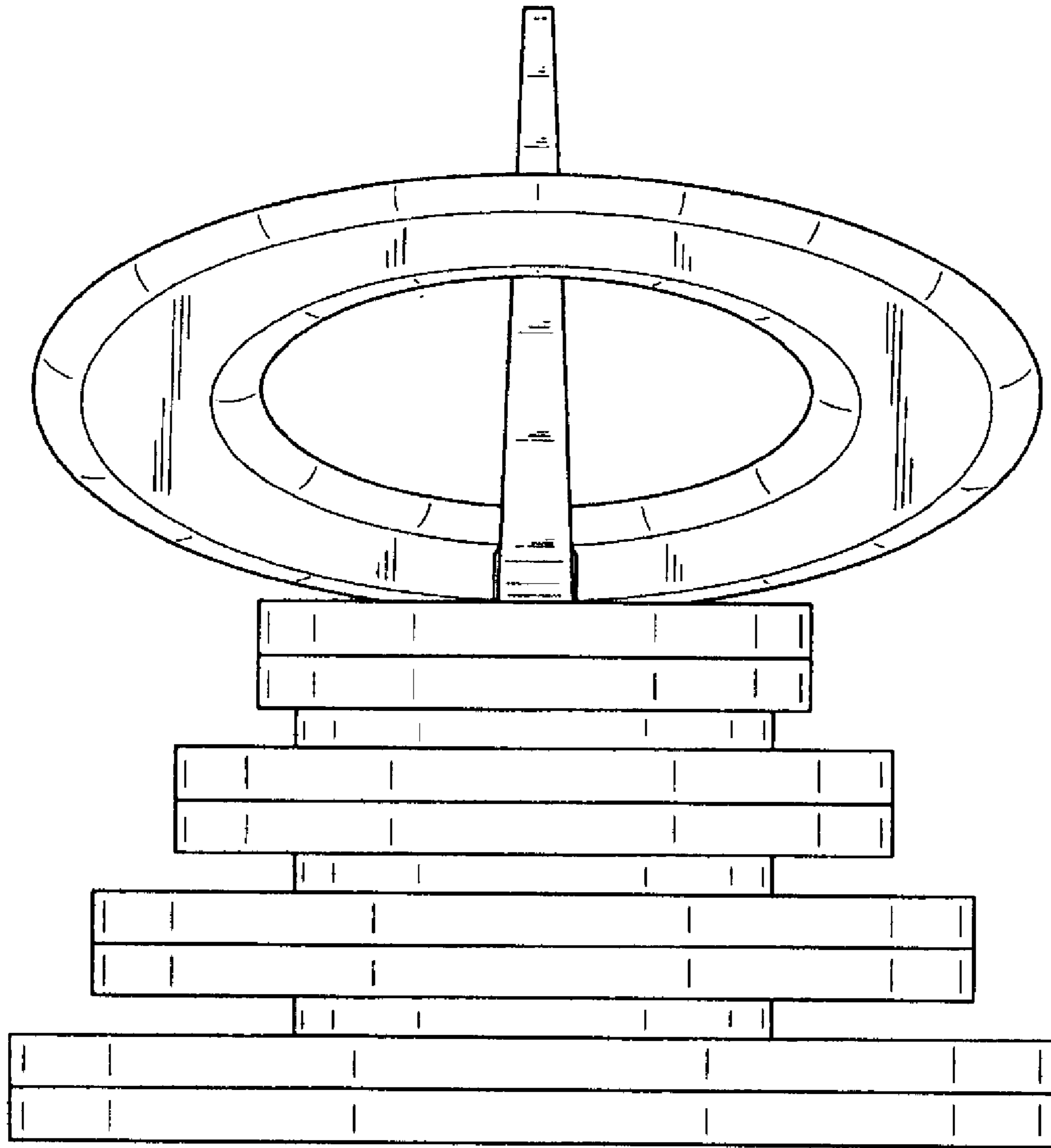


FIG. 3

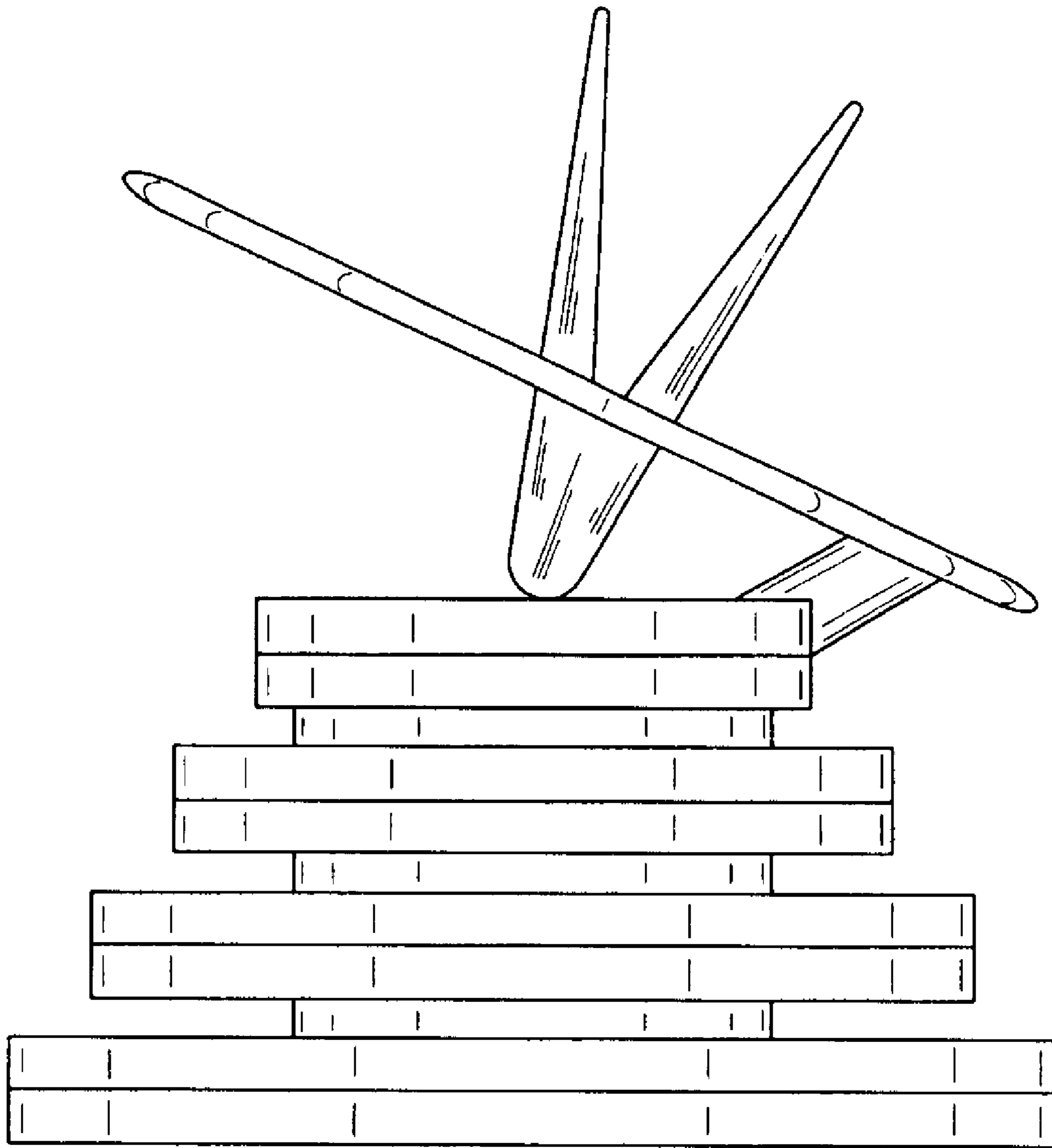


FIG. 4

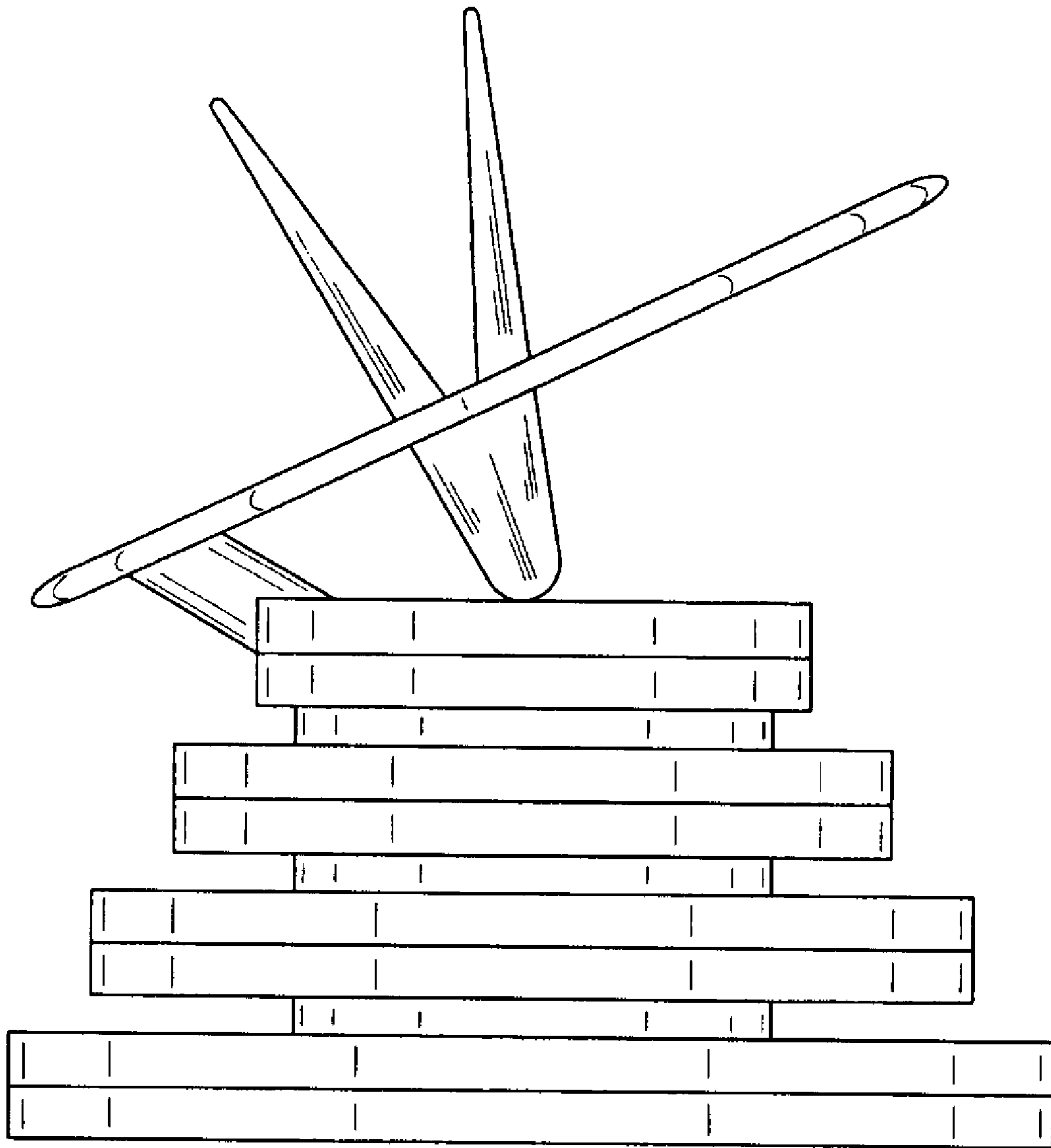


FIG. 5

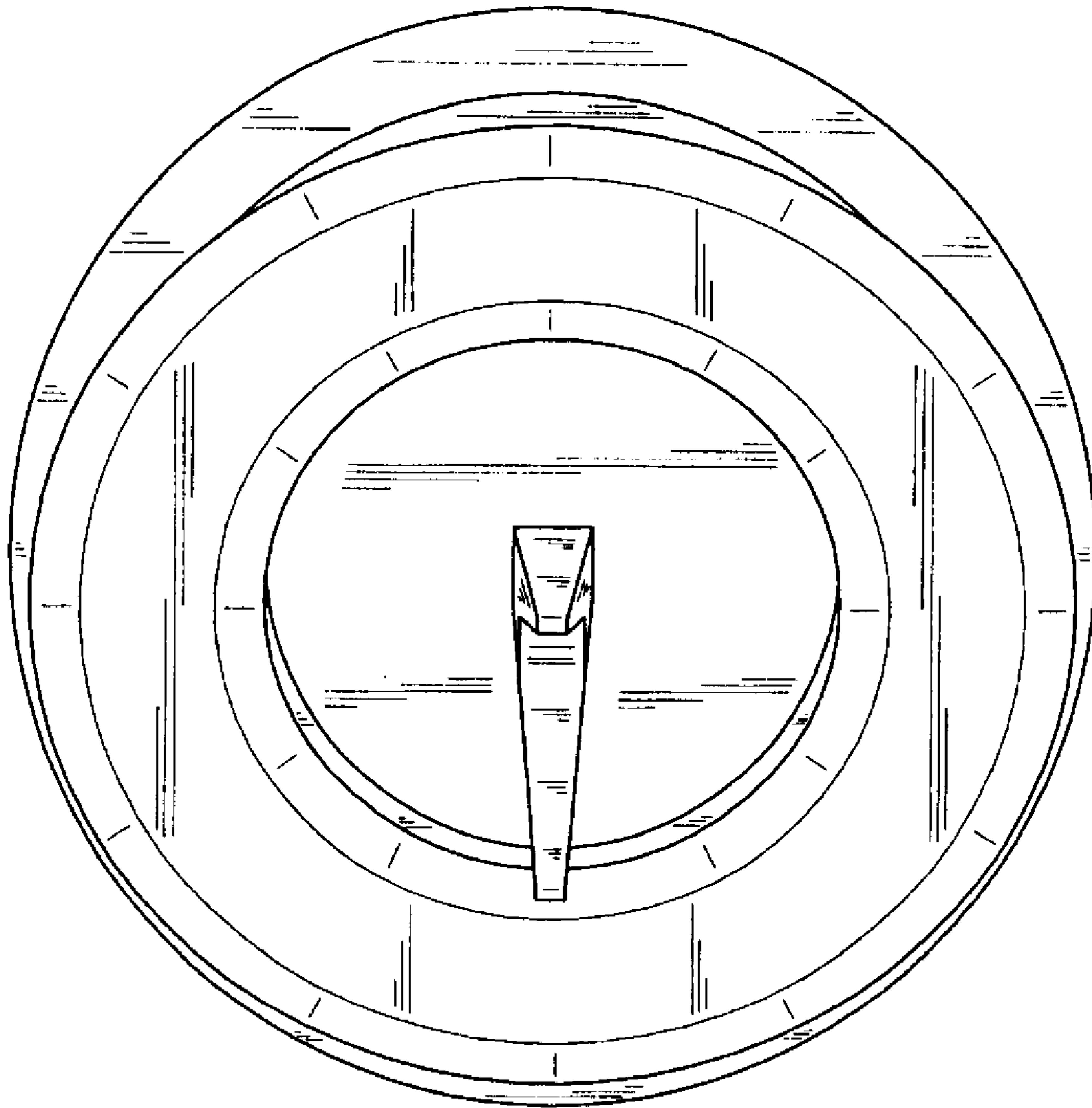


FIG. 6

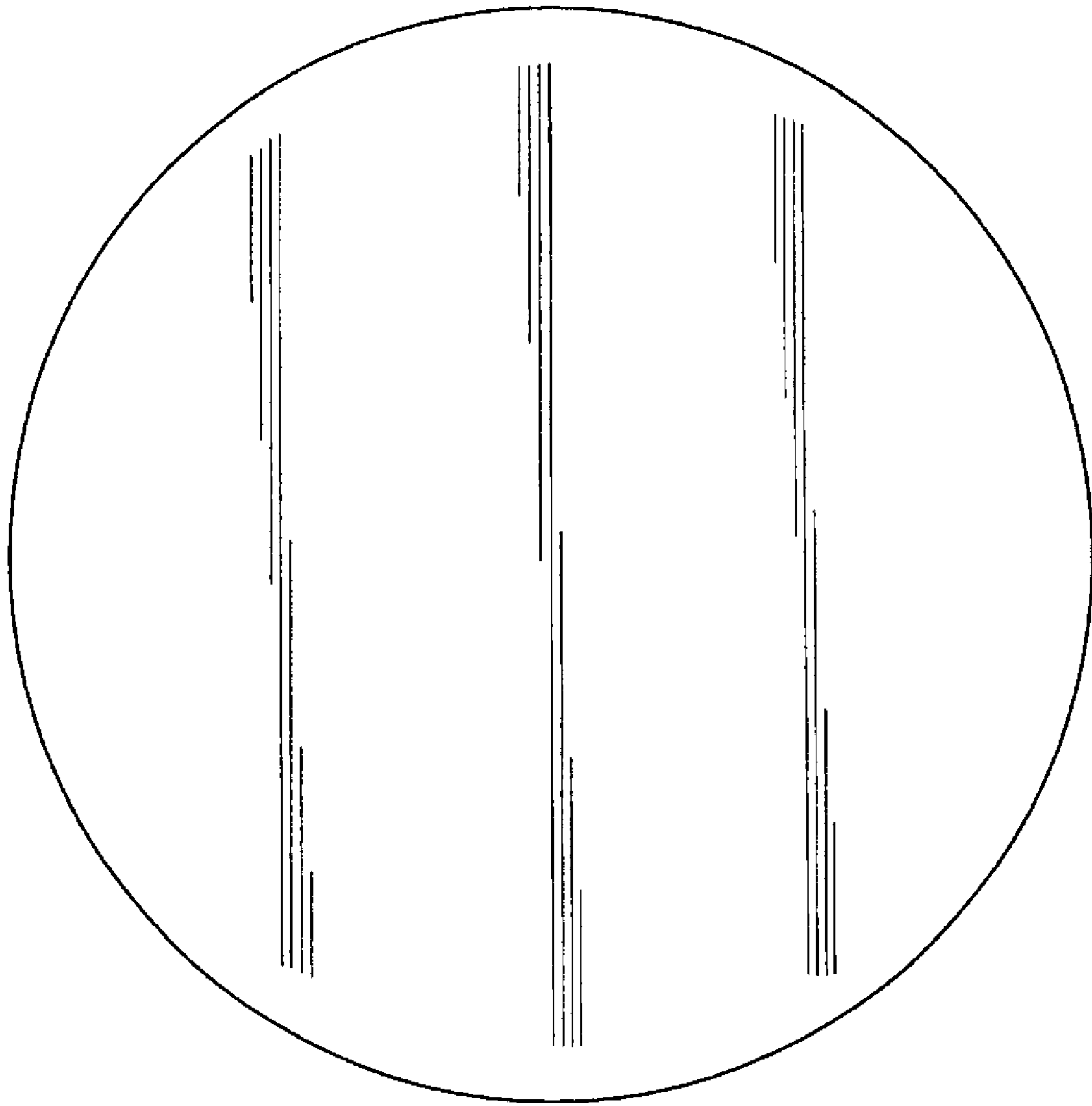


FIG. 7