



US00D533805S

(12) **United States Design Patent**
Hacmon

(10) **Patent No.:** **US D533,805 S**

(45) **Date of Patent:** **** Dec. 19, 2006**

(54) **PRECIOUS STONE**

D485,782 S * 1/2004 Hacmon D11/90

(75) Inventor: **Joseph Hacmon**, Ramat Gan (IL)

* cited by examiner

(73) Assignee: **Australia Diamonds Ltd.**, Ramat Gan (IL)

Primary Examiner—Ralf Seifert

(74) *Attorney, Agent, or Firm*—Kenyon & Kenyon LLP

(**) Term: **14 Years**

(57) **CLAIM**

(21) Appl. No.: **29/216,637**

The ornamental design for a precious stone, as shown and described.

(22) Filed: **Nov. 5, 2004**

Related U.S. Application Data

DESCRIPTION

(63) Continuation-in-part of application No. 29/172,476, filed on Dec. 11, 2002, now abandoned.

FIG. 1 is a perspective view of a precious stone showing my new design;

(51) **LOC (8) Cl.** **11-90**

FIG. 2 is a top view thereof;

(52) **U.S. Cl.** **D11/90**

FIG. 3 is a bottom view thereof;

(58) **Field of Classification Search** D11/1-2, D11/26-29, 89-92; 63/26-28, 32

FIG. 4 is a front view thereof, the rear view being identical; and,

See application file for complete search history.

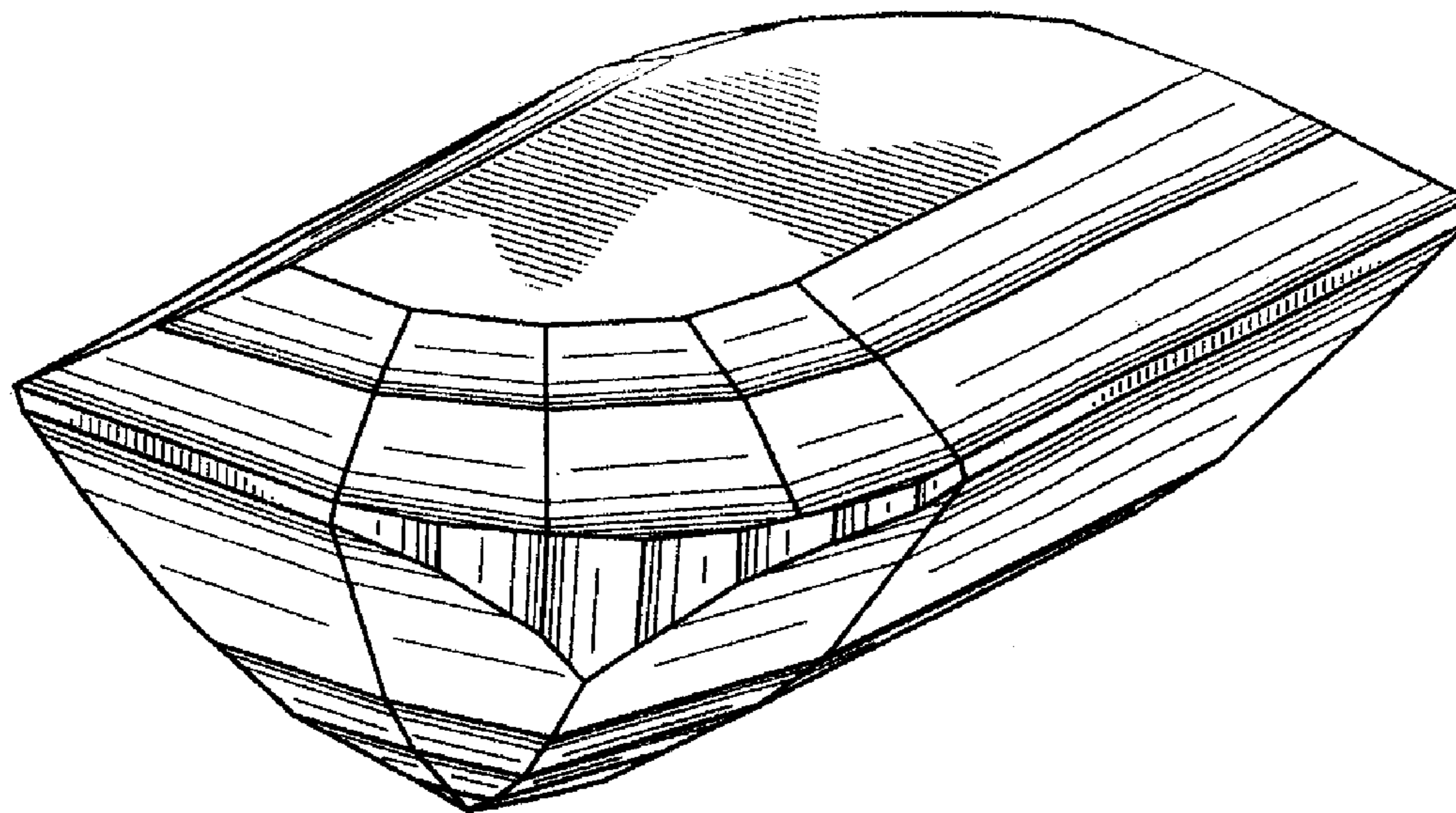
FIG. 5 is a right side view thereof, the left side view being identical.

(56) **References Cited**

U.S. PATENT DOCUMENTS

D485,508 S * 1/2004 Hacmon D11/90

1 Claim, 2 Drawing Sheets



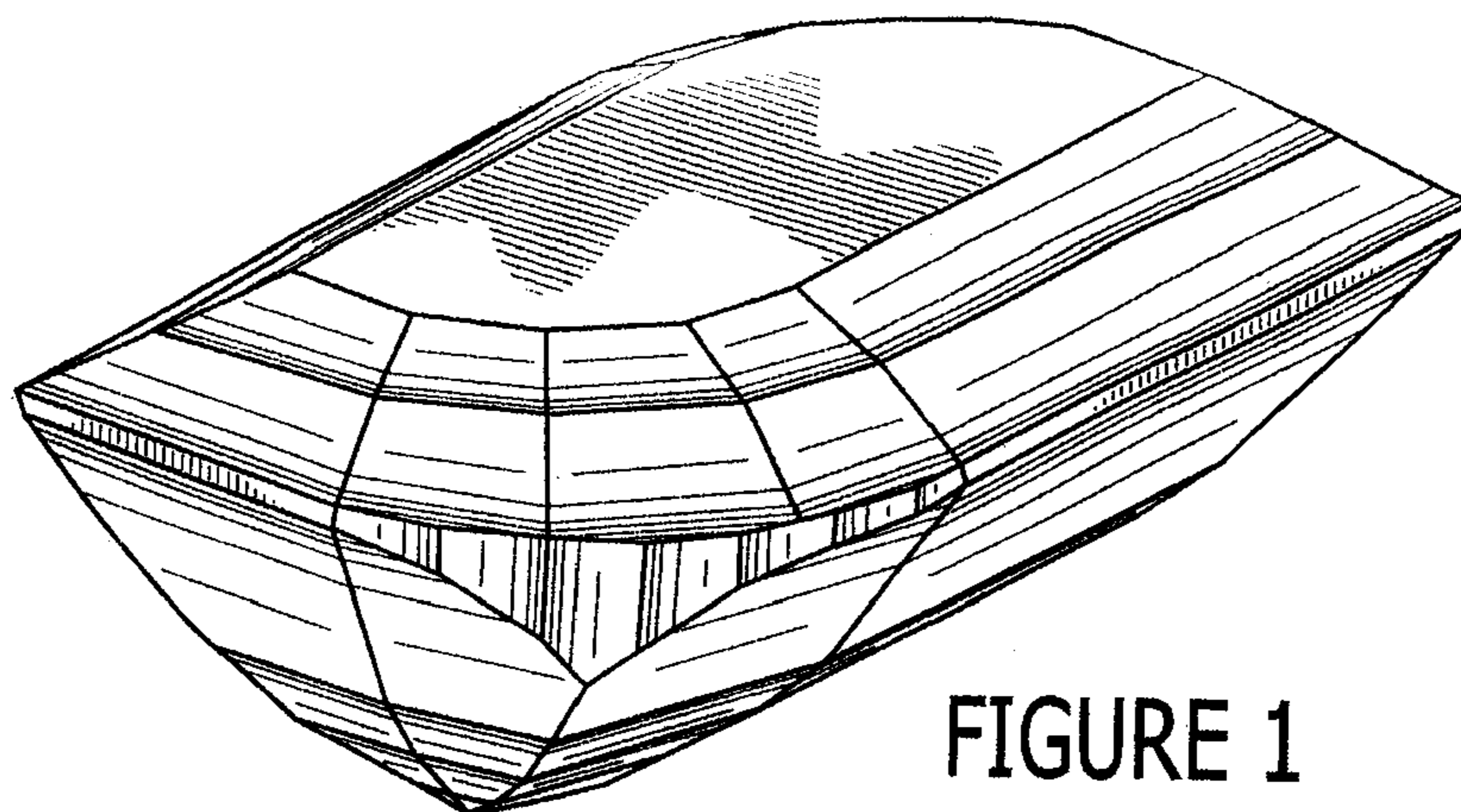


FIGURE 1

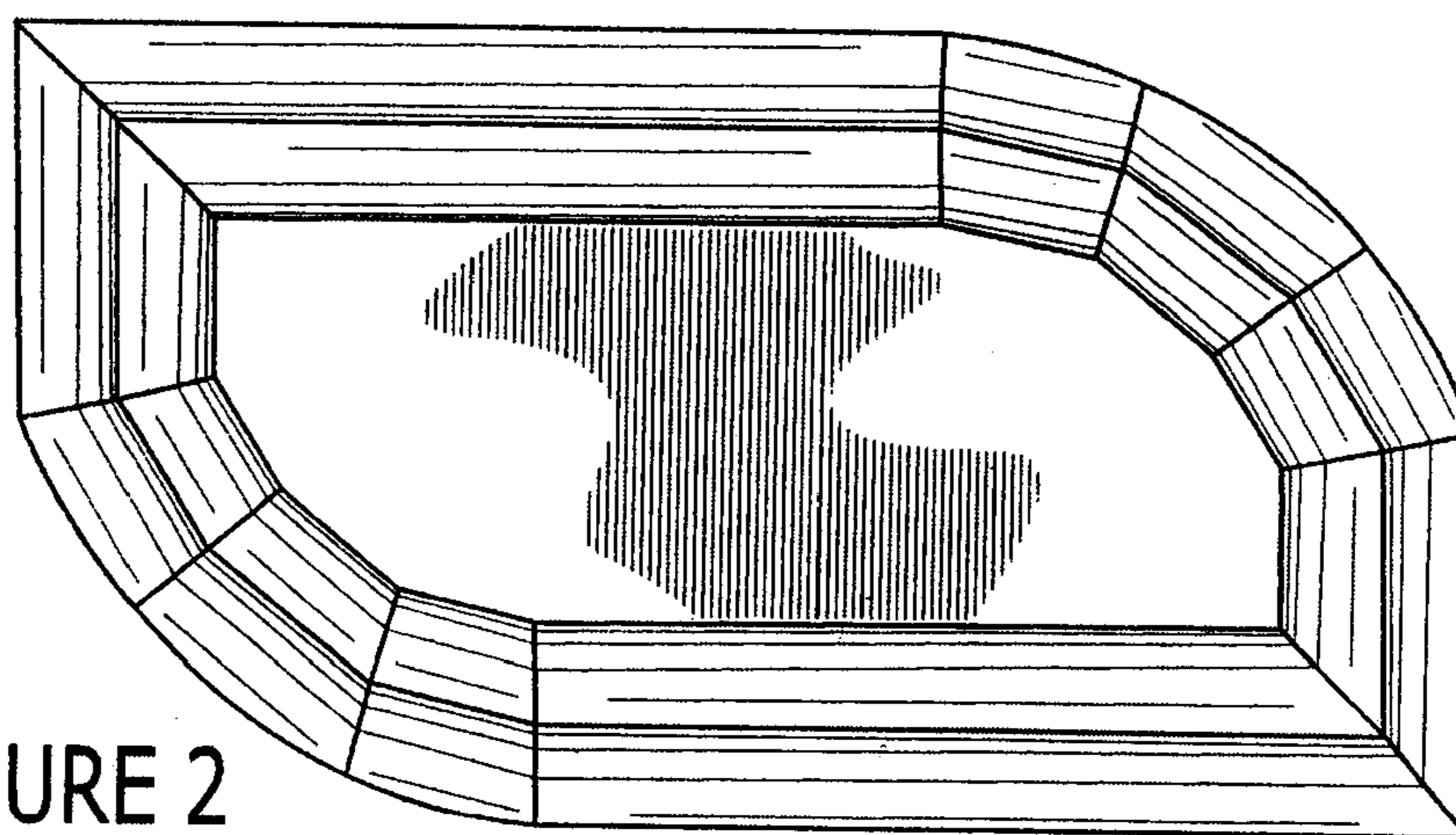


FIGURE 2

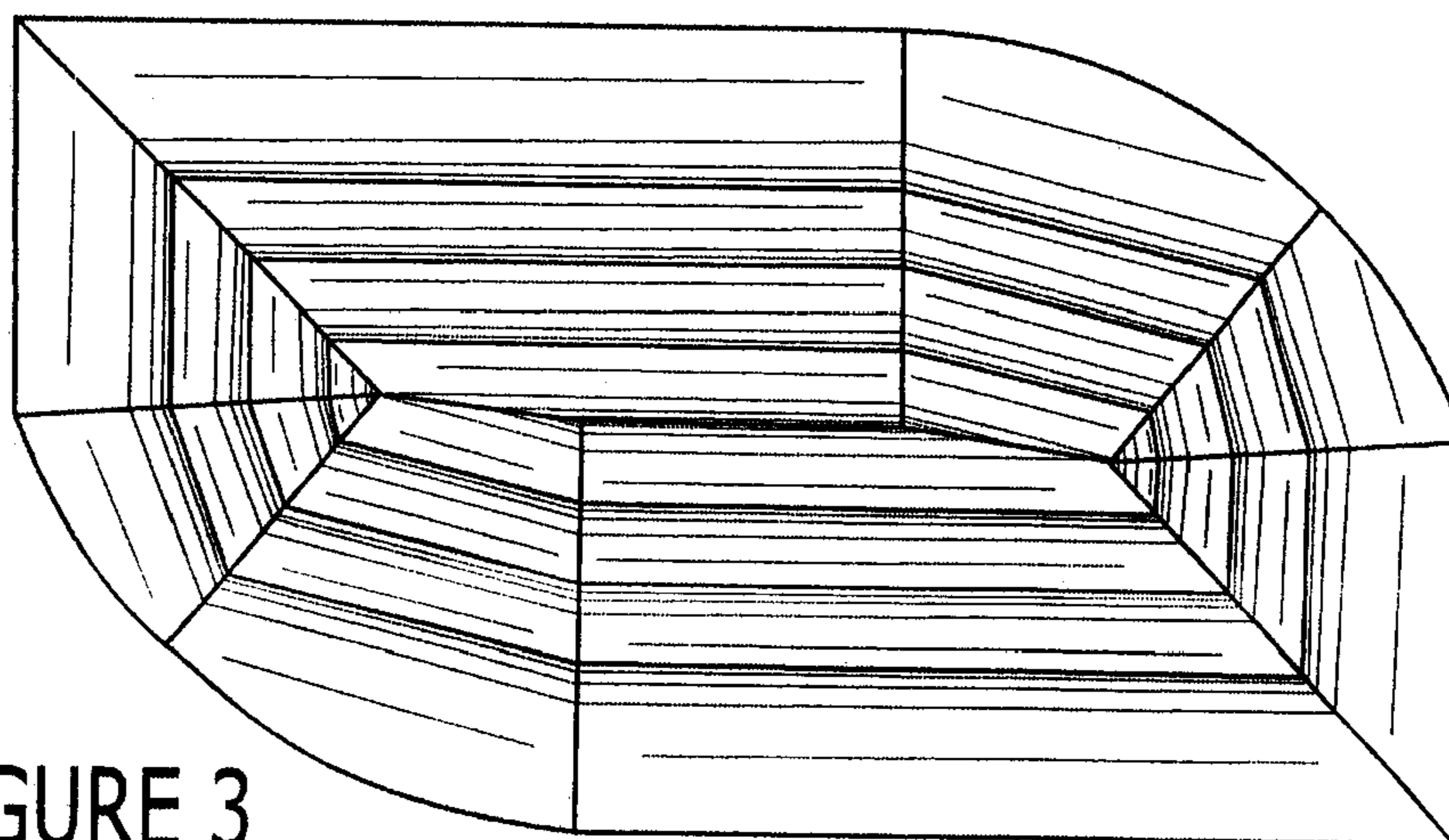


FIGURE 3

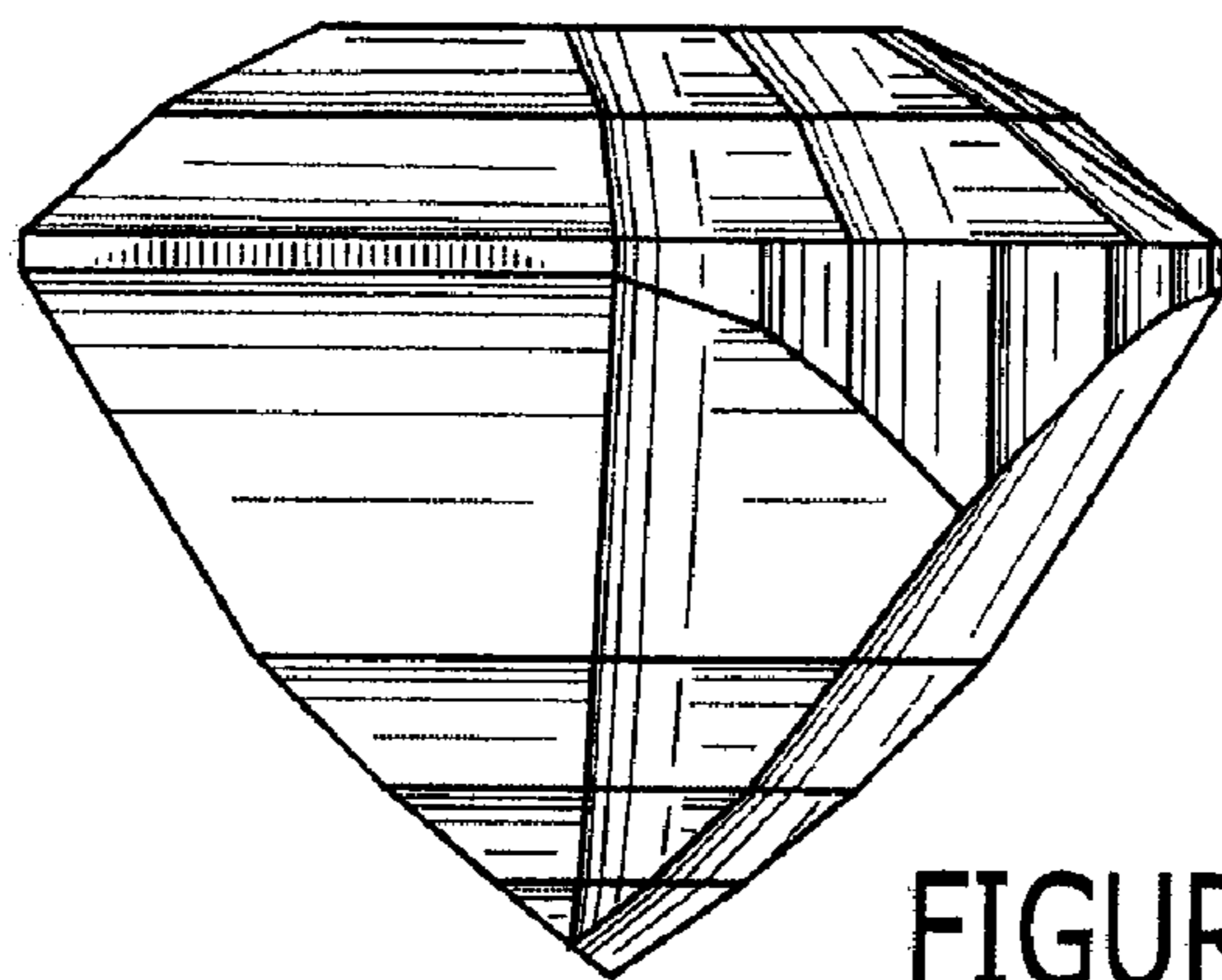


FIGURE 4

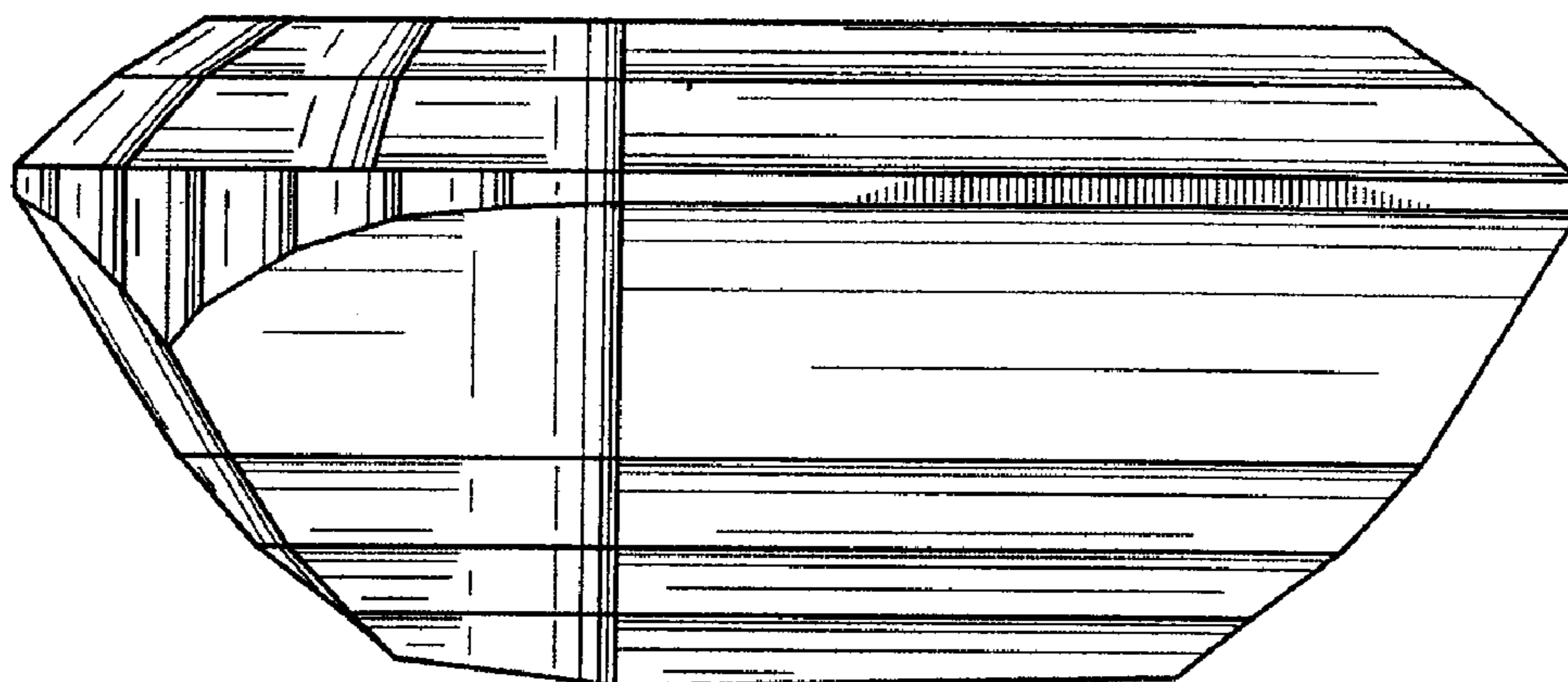


FIGURE 5