



US00D533797S

(12) **United States Design Patent**
Jueneman

(10) **Patent No.:** **US D533,797 S**

(45) **Date of Patent:** **** Dec. 19, 2006**

(54) **END HOOK OF A TAPE MEASURE**

(57) **CLAIM**

(76) Inventor: **Michael Jueneman**, 7126 Timothy St.,
Anchorage, AK (US) 99502

The ornamental design for an end hook of a tape measure,
as shown and described.

(**) Term: **14 Years**

DESCRIPTION

(21) Appl. No.: **29/215,900**

I claim priority from application Ser. Nos. 10/703,913,
09/686,649; 09/541,491 and 60/164,475. Application Ser.
No. 10/703,913 was filed as a CIP of application Ser. No.
09/686,649 on Nov. 11, 2003 and claimed priority there-
from. Application Ser. No. 09/686,649 was filed on Oct. 10,
2000 and claimed priority from application Ser. No. 09/541,
491 and 60/164,475. Application Ser. No. 09/541,491 was
filed on Apr. 3, 2000 claiming priority from application Ser.
No. 60/164,475 which was filed on Nov. 10, 1999.

(22) Filed: **Oct. 26, 2004**

(51) **LOC (8) Cl.** **10-04**

(52) **U.S. Cl.** **D10/74**

(58) **Field of Classification Search** D10/74,
D10/72; 33/775-771; 242/292, 381.1, 381.2,
242/381.3, 381.4, 381.5, 381.6

See application file for complete search history.

FIG. 1 is a perspective view of the present invention;
FIG. 2 is a side view of the present invention;
FIG. 3 is a side view of the present invention opposite that
of FIG. 2;

(56) **References Cited**

U.S. PATENT DOCUMENTS

4,930,227 A * 6/1990 Ketchpel 33/755

D447,069 S * 8/2001 Budrow D10/74

6,370,790 B1 * 4/2002 Stenger 33/758

D486,086 S * 2/2004 Jueneman D10/74

2004/0049939 A1 * 3/2004 Rafter 33/770

* cited by examiner

FIG. 4 is a front view of the present invention;
FIG. 5 is a back view of the present invention;
FIG. 6 is a top view of the present invention;
FIG. 7 is a bottom view of the present invention; and,
FIG. 8 is a perspective view of the present invention.

Primary Examiner—Antoine D. Davis

Assistant Examiner—Patricia Palasik

(74) *Attorney, Agent, or Firm*—Angenehm Law Firm;
N Paul Friederichs

The broken line showing the outer housing is for illustrative
purposes only and forms no part of the claimed design.

1 Claim, 3 Drawing Sheets

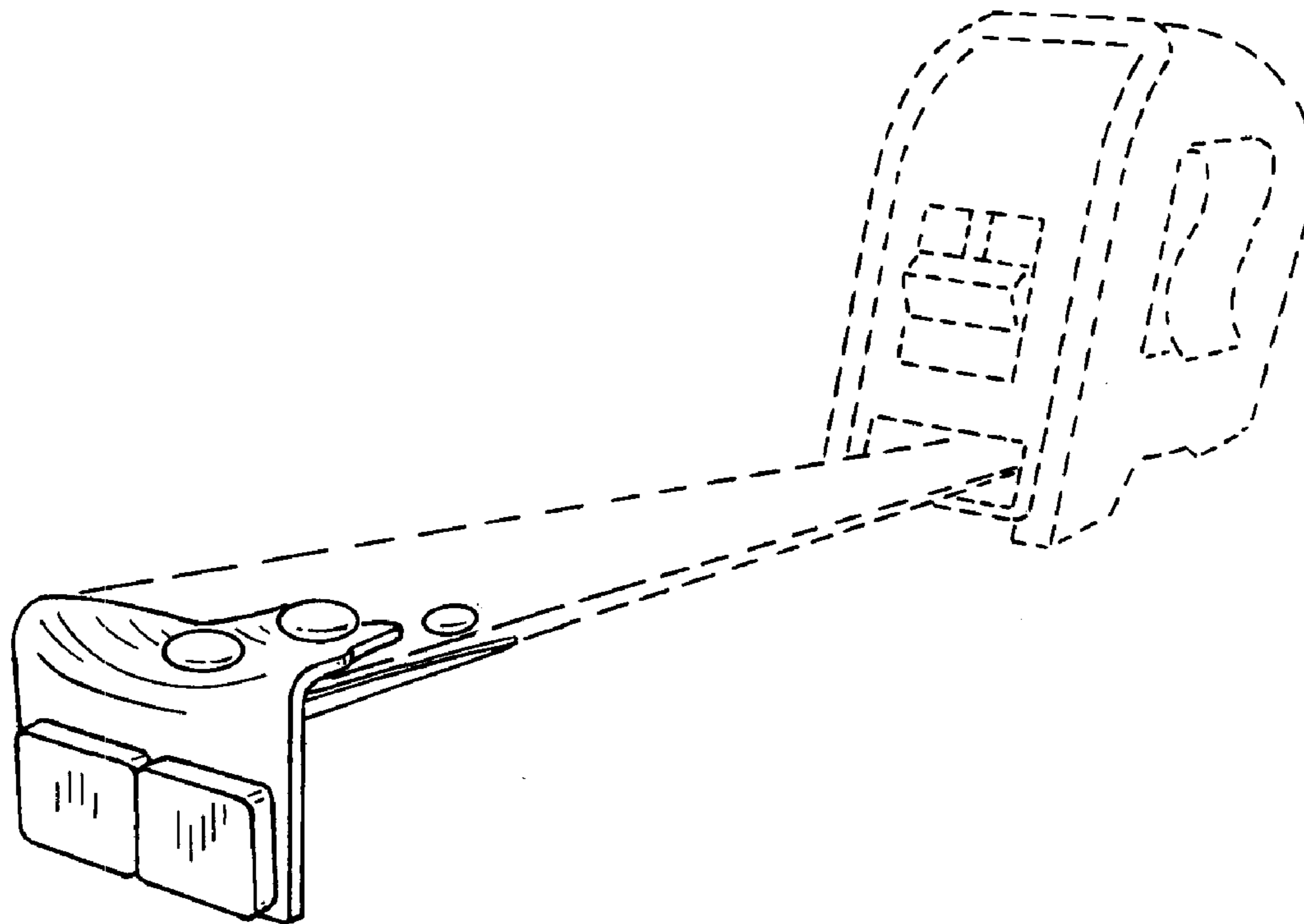


FIG. 1

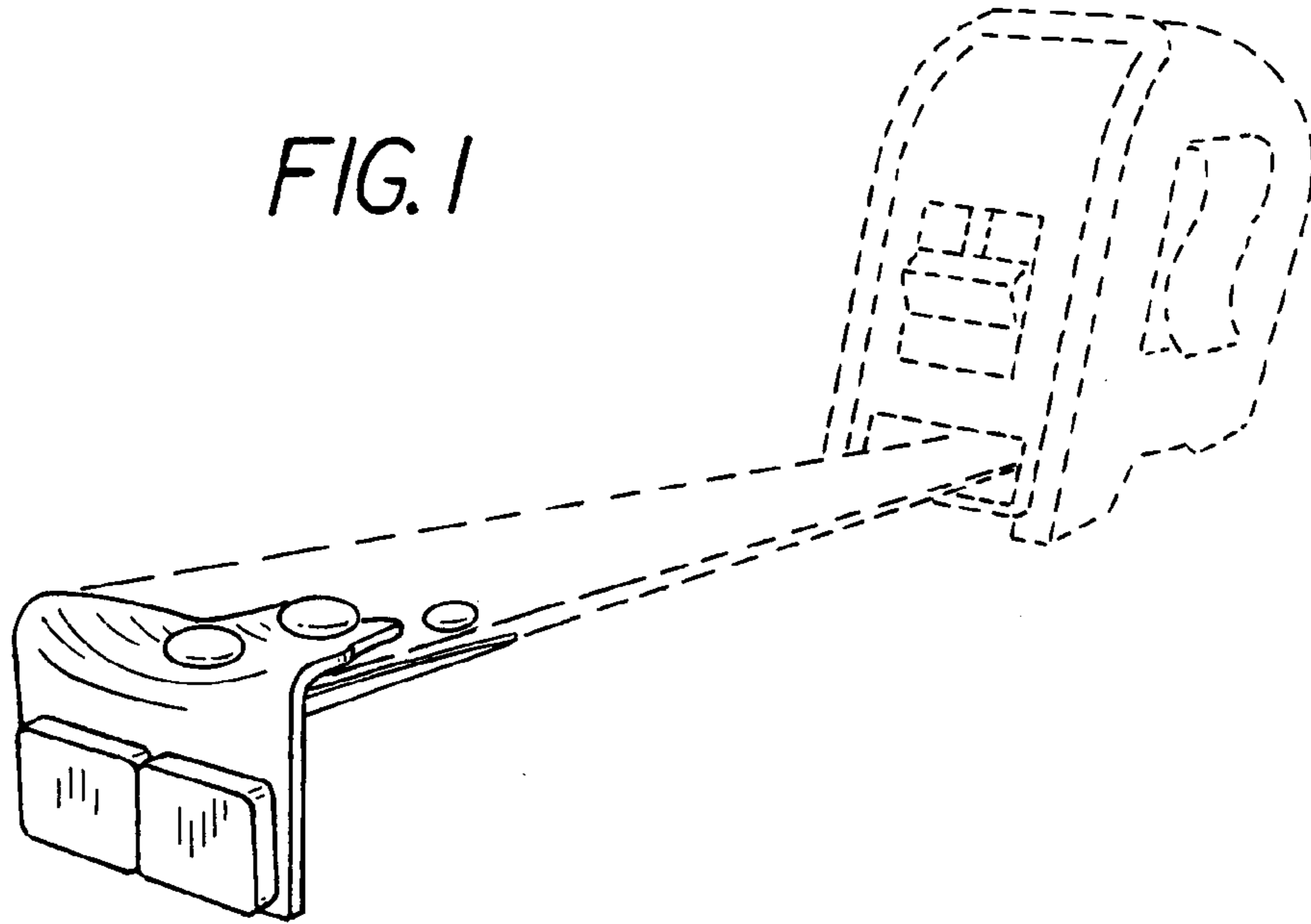
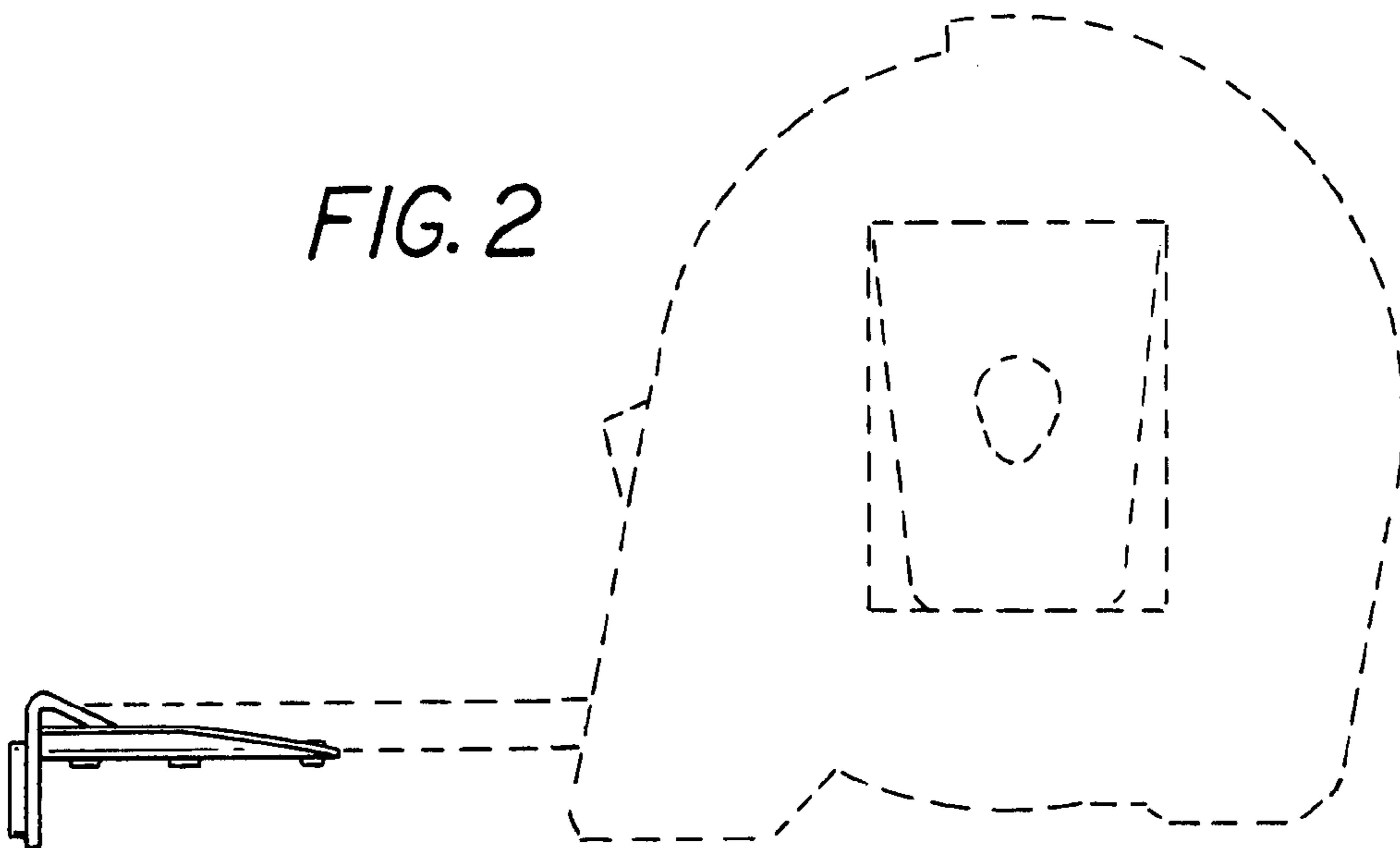


FIG. 2



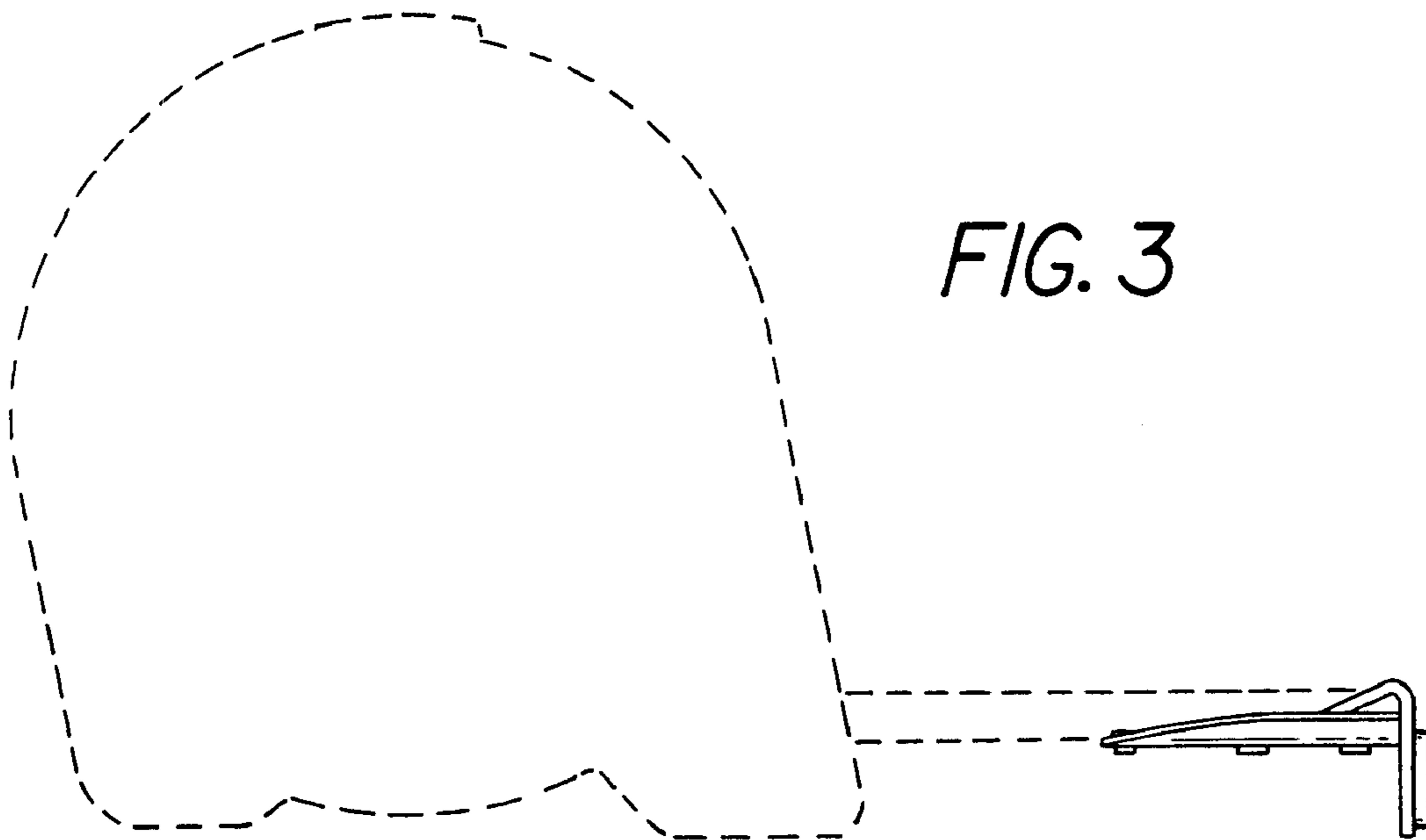


FIG. 4

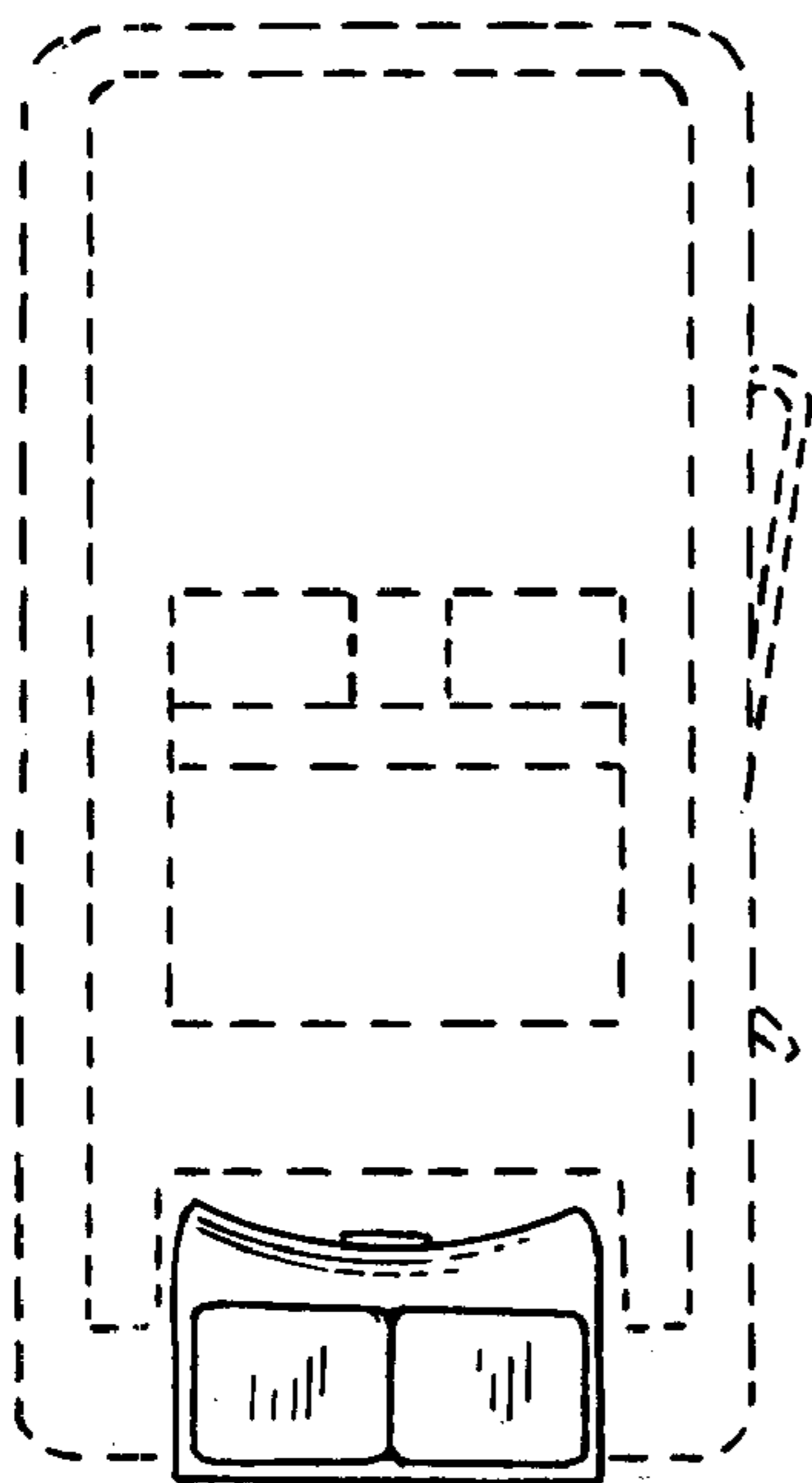


FIG. 5

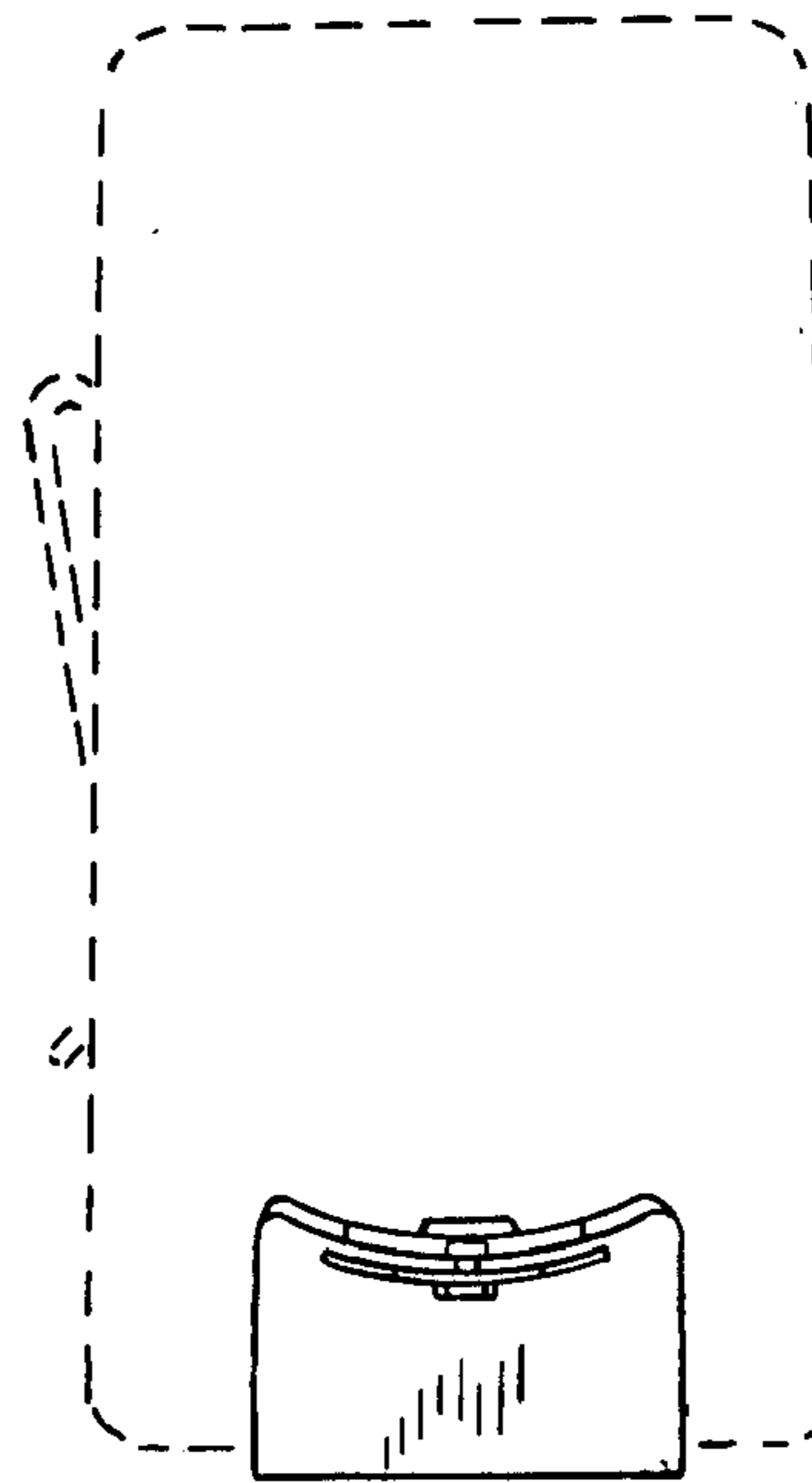


FIG. 6

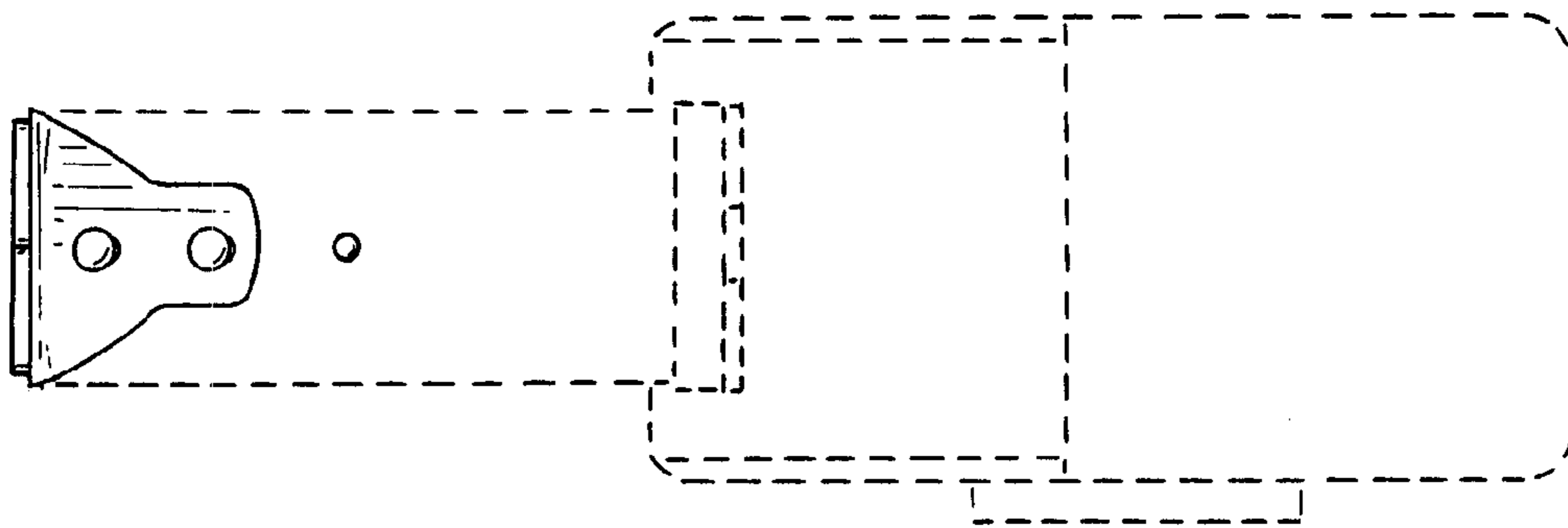


FIG. 7

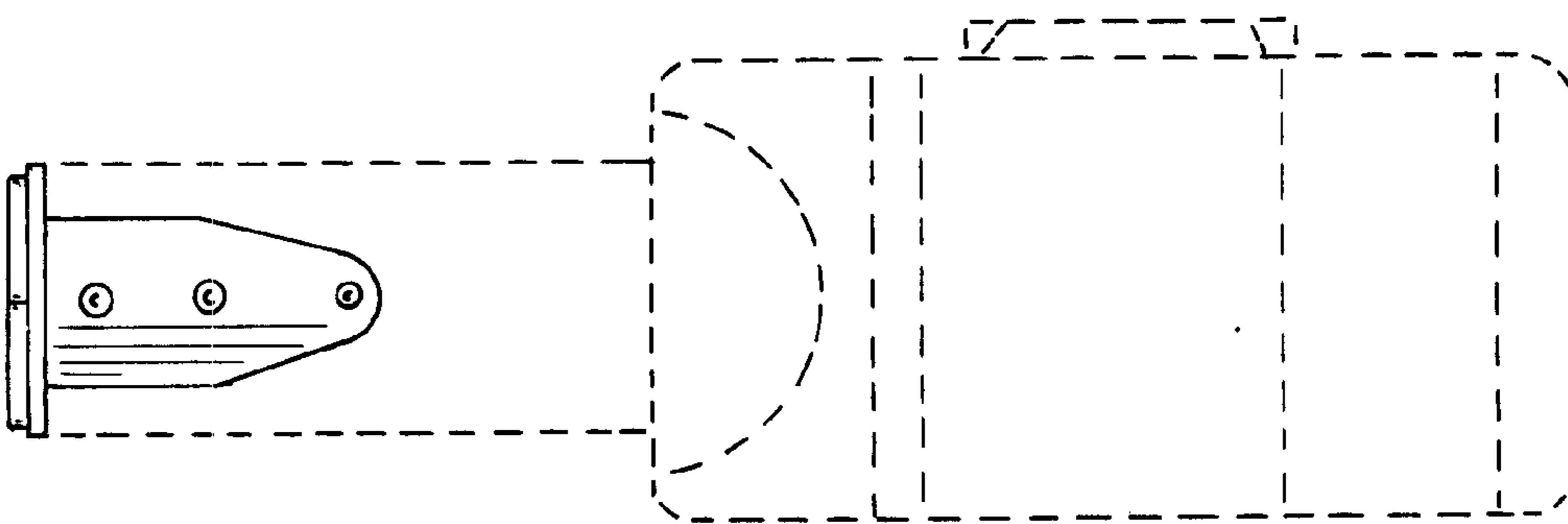


FIG. 8

