



US00D533795S

(12) **United States Design Patent**
Kim

(10) **Patent No.:** **US D533,795 S**

(45) **Date of Patent:** **** Dec. 19, 2006**

(54) **VEHICLE NAVIGATION SYSTEM**

D509,760 S * 9/2005 Burrell et al. D10/65

(75) Inventor: **Jin Kyum Kim**, Icheon-si (KR)

FOREIGN PATENT DOCUMENTS

(73) Assignee: **Hyundai Autonet Co., Ltd.**, Seoul (KR)

KR 30-0364088 10/2004

(**) Term: **14 Years**

* cited by examiner

(21) Appl. No.: **29/227,867**

Primary Examiner—Antoine D. Davis

(22) Filed: **Apr. 18, 2005**

(74) *Attorney, Agent, or Firm*—John K. Park; Park Law Firm

(30) **Foreign Application Priority Data**

(57) **CLAIM**

Dec. 31, 2004 (KR) 30-2004-0041021

The ornamental design for a vehicle navigation system, as shown and described.

(51) **LOC (8) Cl.** **10-04**

DESCRIPTION

(52) **U.S. Cl.** **D10/65**

(58) **Field of Classification Search** D10/65;
342/457; 345/87, 104, 133, 156, 168, 173,
345/901–905; 348/180, 184, 315, 739; 364/444,
364/499

FIG. 1 is a perspective view of a vehicle navigation system showing my new design;

FIG. 2 is a front elevational view thereof;

FIG. 3 is a left side elevational view thereof;

FIG. 4 is a right side elevational view thereof;

FIG. 5 is a top plan view thereof; and,

FIG. 6 is a bottom plan view thereof.

See application file for complete search history.

The broken lines showing of FIGS. 1–6 are for illustration purpose only and therefore establish no part of the claimed design.

(56) **References Cited**

U.S. PATENT DOCUMENTS

D430,046 S * 8/2000 Okada et al. D10/65

D506,937 S * 7/2005 Lee et al. D10/65

1 Claim, 5 Drawing Sheets

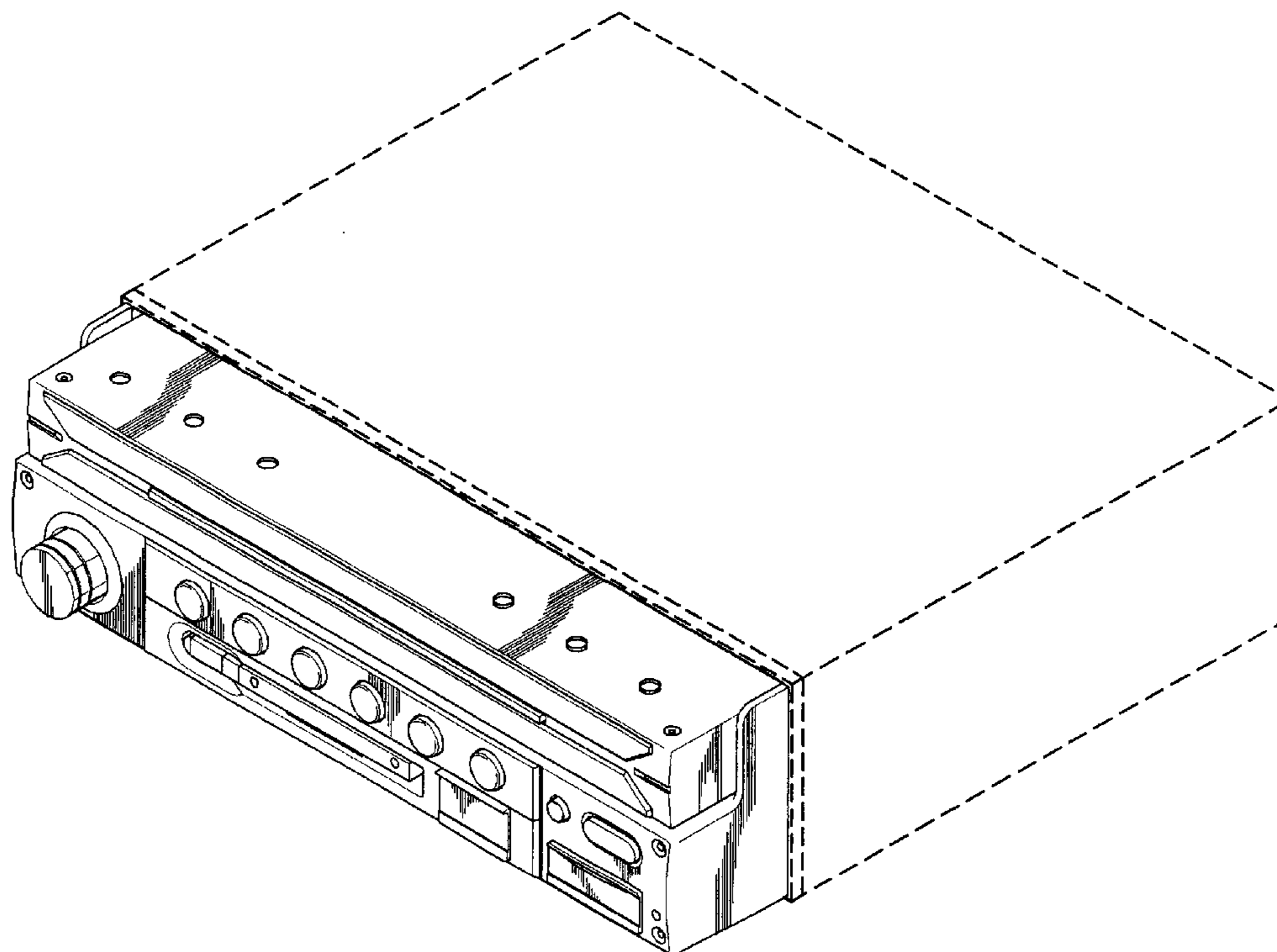


FIG.1

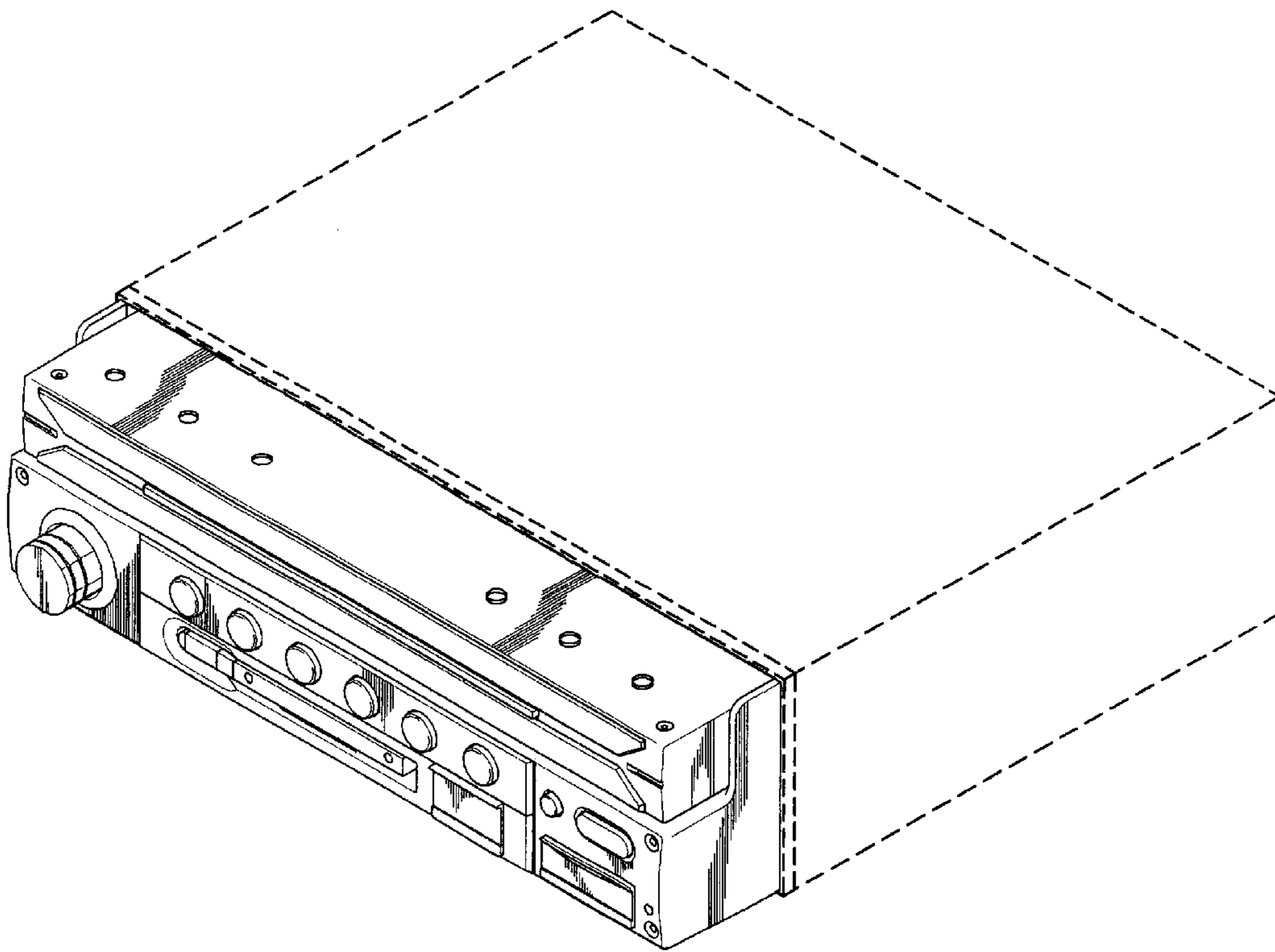


FIG.2

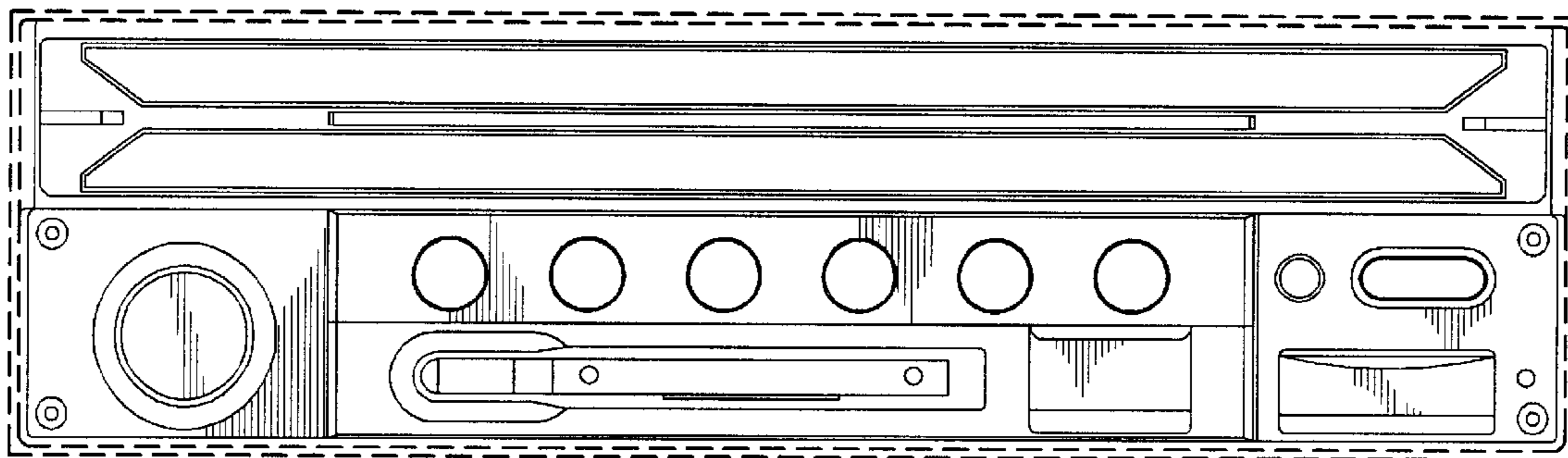


FIG.3



FIG.4



FIG. 5

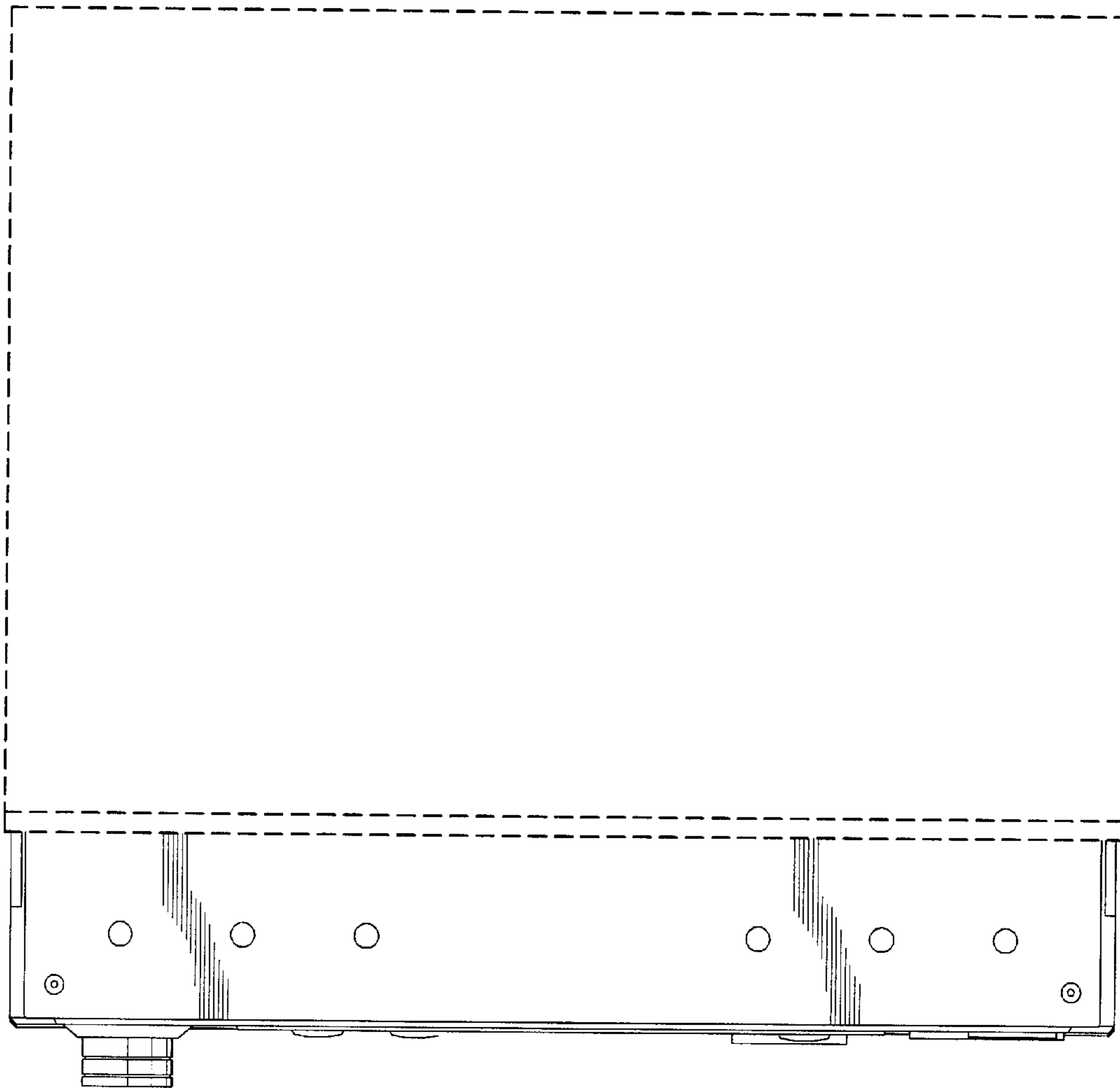


FIG.6

