



US00D533787S

(12) **United States Design Patent**
Kenyon

(10) **Patent No.:** **US D533,787 S**

(45) **Date of Patent:** **** Dec. 19, 2006**

(54) **CONTAINER**

(75) Inventor: **William B. Kenyon**, Sturbridge, MA
(US)

(73) Assignee: **Berry Plastics Corporation**,
Evansville, IN (US)

(**) Term: **14 Years**

(21) Appl. No.: **29/205,699**

(22) Filed: **May 18, 2004**

(51) **LOC (8) Cl.** **09-01**

(52) **U.S. Cl.** **D9/682**

(58) **Field of Classification Search** D9/305,
D9/306, 302, 521, 572-574, 337, 520, 529,
D9/695; 206/503; 220/23.6, 669, 670-695;
222/107, 143

See application file for complete search history.

(56) **References Cited**

U.S. PATENT DOCUMENTS

D136,477 S * 10/1943 Roselle D9/697
D143,421 S * 1/1946 Gasner D32/30
D246,228 S * 11/1977 Hoy D9/697
5,299,689 A * 4/1994 Ledewitz 206/503
D352,662 S * 11/1994 McIlvain D9/520

D399,417 S * 10/1998 Meausoone D9/697
D405,354 S * 2/1999 Meausoone D9/697
D438,787 S * 3/2001 Heeter et al. D9/697
D445,338 S * 7/2001 Helleu D9/521
D447,694 S * 9/2001 Leggett D9/521
D457,426 S * 5/2002 Montana D9/420
6,616,016 B1 * 9/2003 Hicks et al. 222/212
D489,267 S * 5/2004 Rennie et al. D9/521

* cited by examiner

Primary Examiner—Stella Reid

Assistant Examiner—Rashida C McCoy

(74) *Attorney, Agent, or Firm*—Barnes & Thornburg LLP

(57) **CLAIM**

The ornamental design for a container, as shown and described.

DESCRIPTION

FIG. 1 is a perspective view of a container showing my new design

FIG. 2 is a top view thereof;

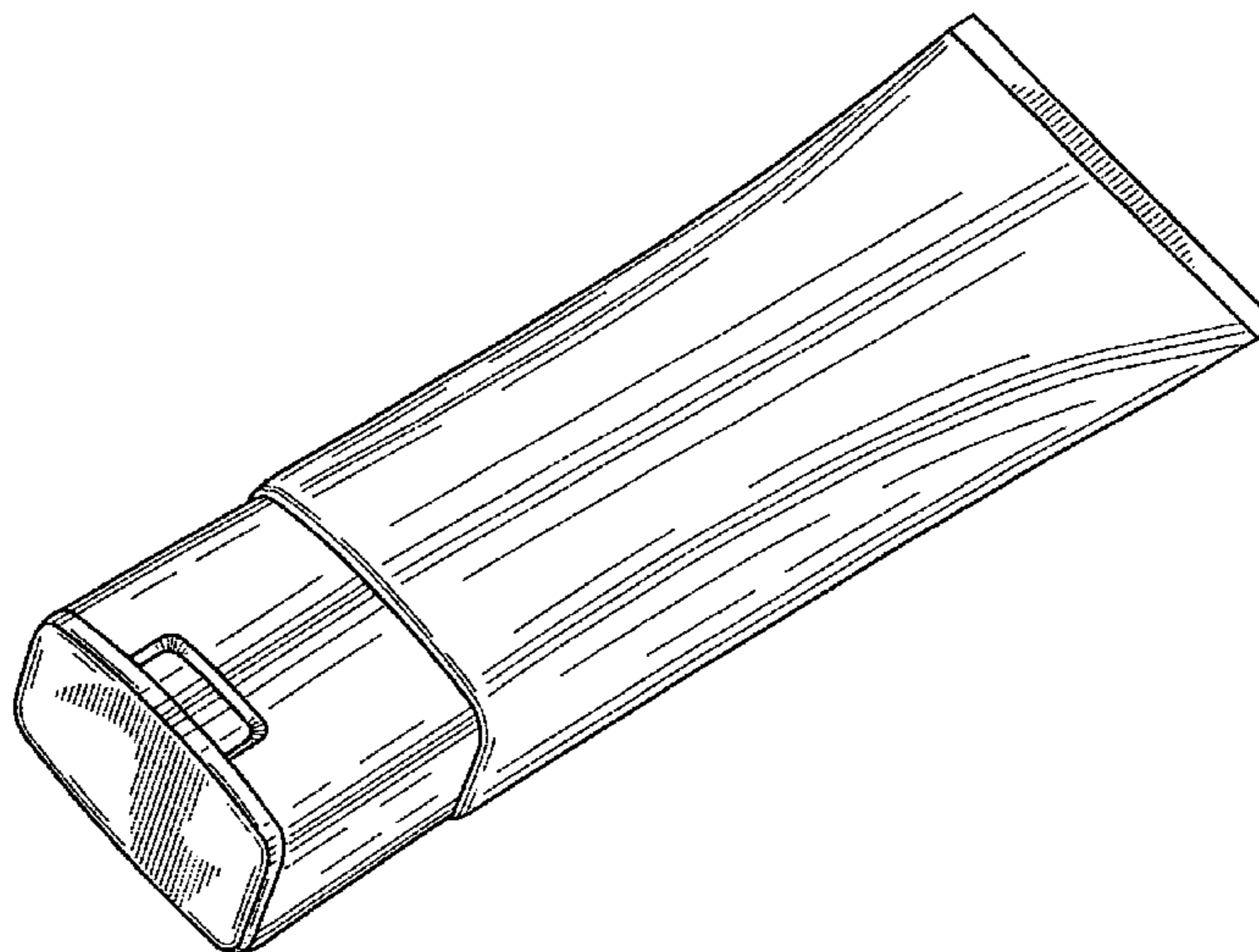
FIG. 3 is a side view thereof;

FIG. 4 is a front view thereof;

FIG. 5 is a rear view thereof; and,

FIG. 6 is a perspective view of a fragmented portion of a container showing my new design.

1 Claim, 2 Drawing Sheets



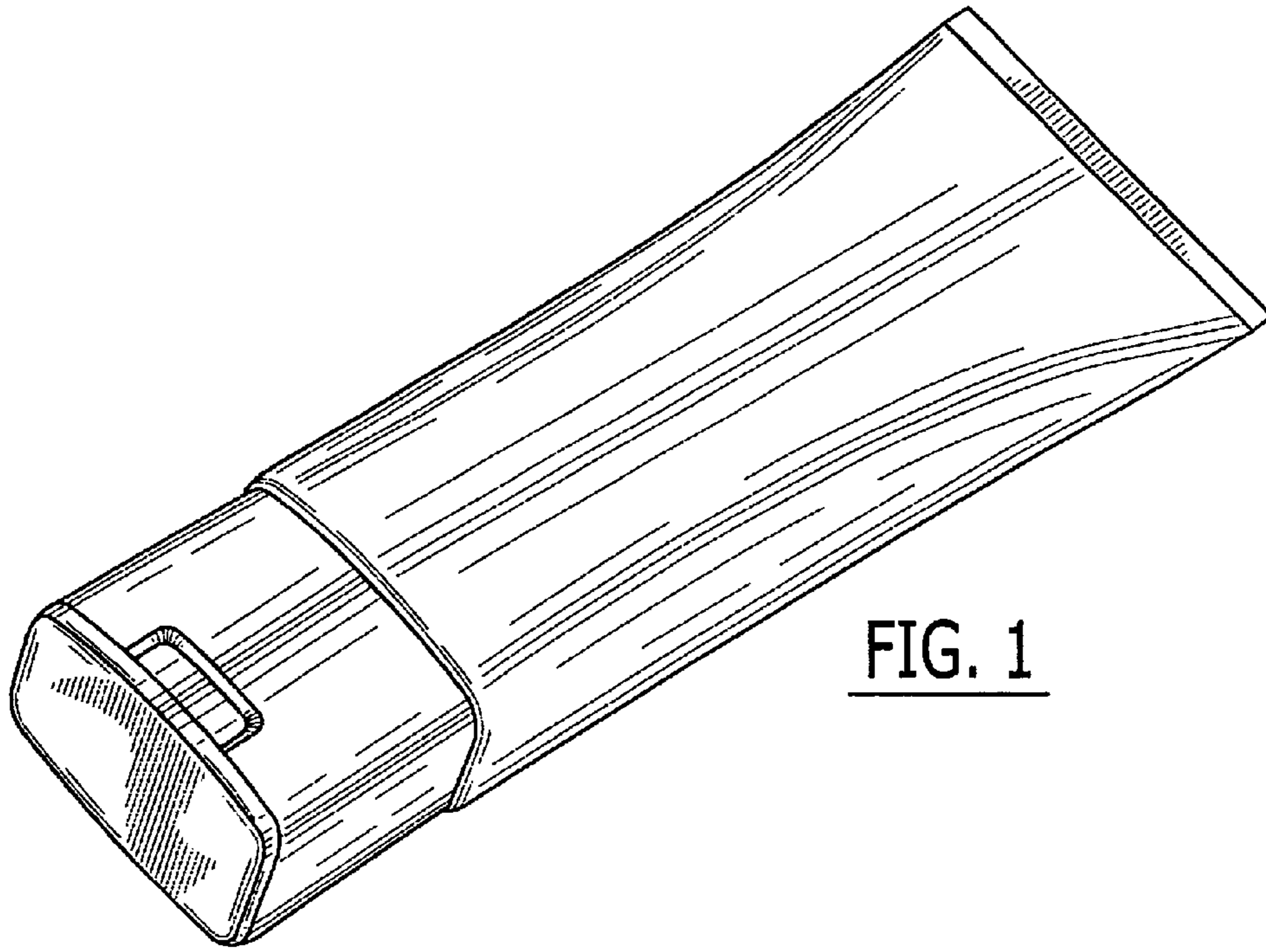


FIG. 1

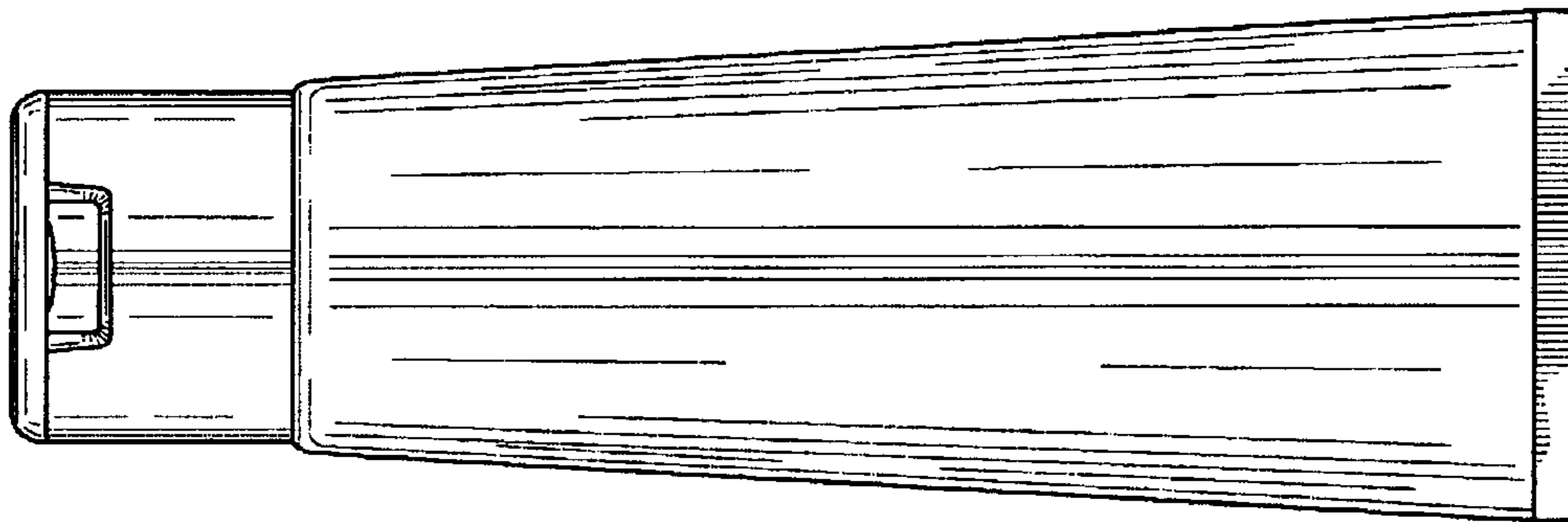


FIG. 2

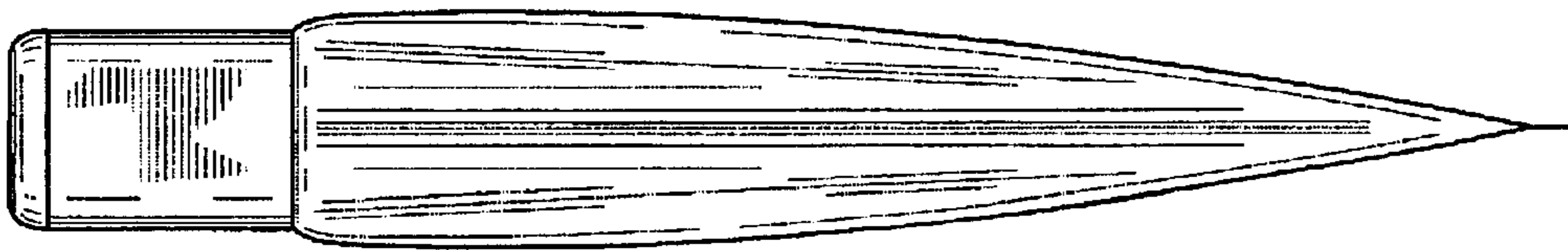


FIG. 3

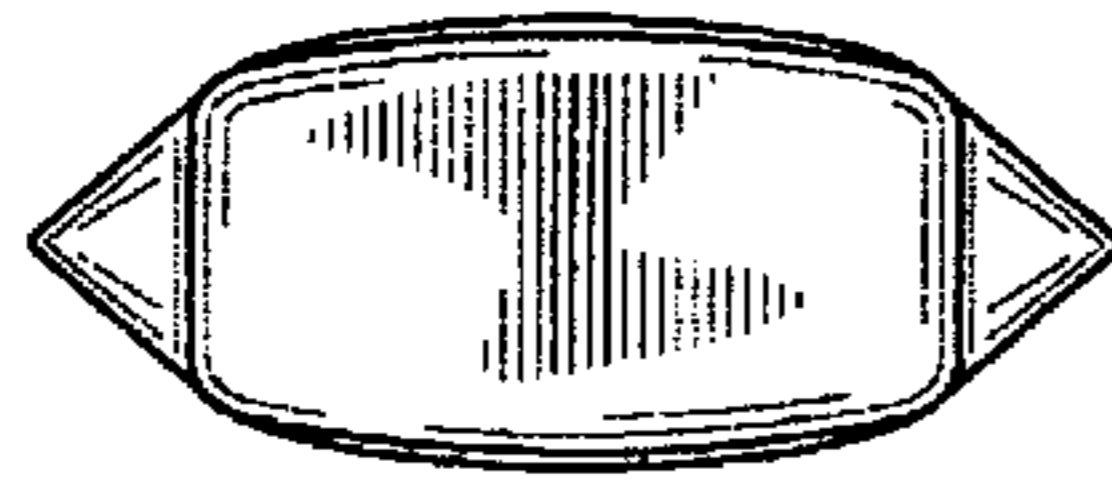


FIG. 4



FIG. 5

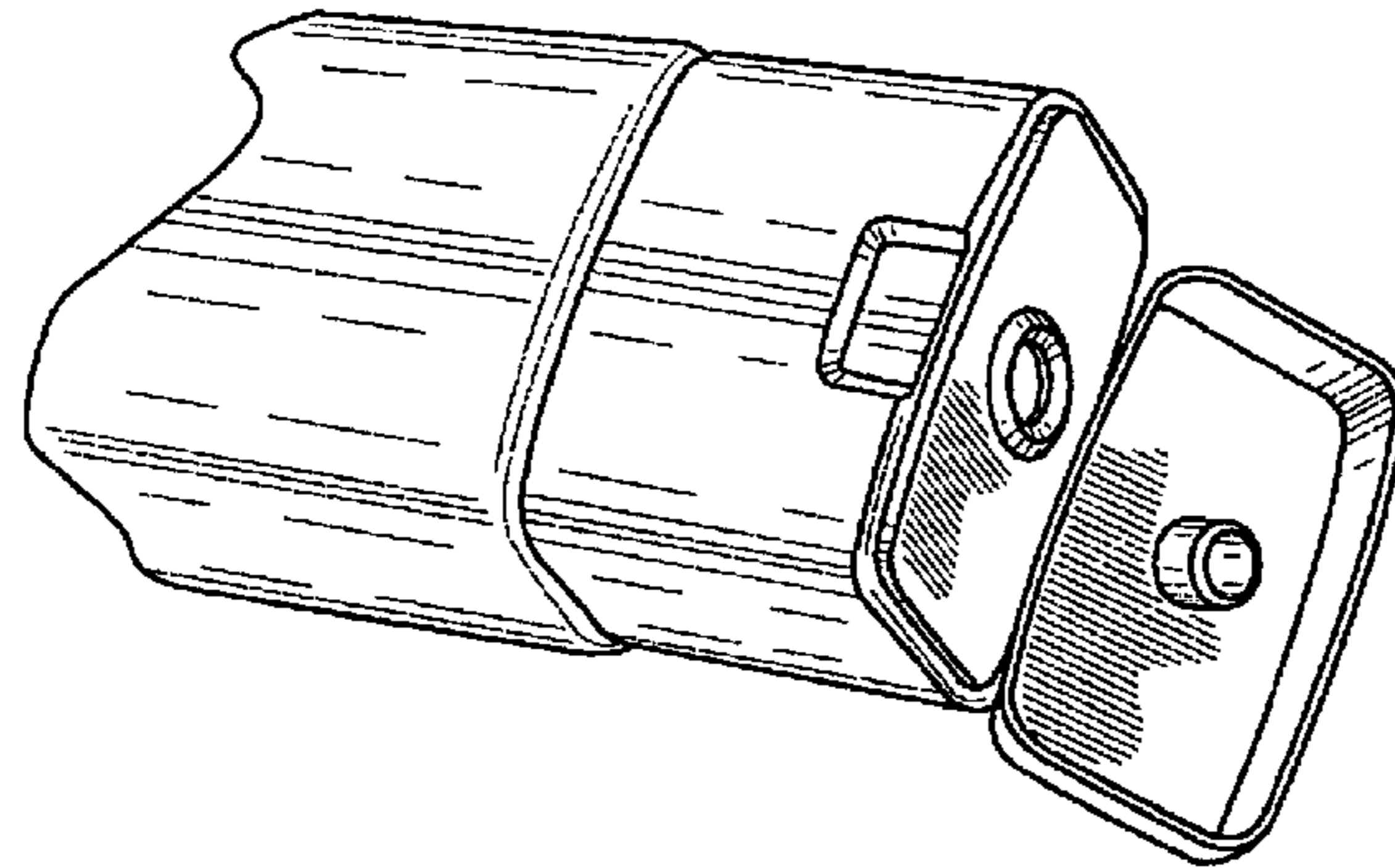


FIG. 6