



US00D533786S

(12) **United States Design Patent** (10) **Patent No.:** **US D533,786 S**
Ogg et al. (45) **Date of Patent:** **** Dec. 19, 2006**

(54) **CONTAINER**

(75) Inventors: **Richard K. Ogg**, Littlestown, PA (US);
Seungyeol Hong, Dublin, OH (US)

(73) Assignee: **Graham Packaging Company, LP**,
York, PA (US)

(**) Term: **14 Years**

(21) Appl. No.: **29/258,966**

(22) Filed: **May 1, 2006**

Related U.S. Application Data

(63) Continuation of application No. 11/298,473, filed on Dec. 12, 2005, which is a continuation-in-part of application No. 10/727,042, filed on Dec. 4, 2003, now Pat. No. 6,974,047.

(51) **LOC (8) Cl.** **09-01**

(52) **U.S. Cl.** **D9/563; D9/564; D9/570;**
D9/574

(58) **Field of Classification Search** **D9/684,**
D9/738-747, 516, 523, 526, 528, 530-531,
D9/534, 541-543, 550-553, 557, 560, 562-567,
D9/569-575; 215/10, 381-384
See application file for complete search history.

(56) **References Cited**

U.S. PATENT DOCUMENTS

- 3,537,498 A 11/1970 Amand
- 4,877,141 A 10/1989 Hayashi et al.
- 5,165,557 A 11/1992 Ota et al.
- 5,178,290 A 1/1993 Ota et al.
- 5,199,588 A 4/1993 Hayashi
- 5,222,615 A 6/1993 Ota et al.
- 5,224,614 A 7/1993 Bono et al.
- 5,238,129 A 8/1993 Ota
- D340,190 S * 10/1993 Skidmore et al. D9/542
- 5,337,909 A 8/1994 Vaillencourt et al.
- 5,350,078 A 9/1994 Potts et al.
- 5,392,937 A 2/1995 Prevot et al.
- 5,472,105 A 12/1995 Krishnakumar et al.
- D378,353 S * 3/1997 Emre et al. D9/542
- 5,758,790 A 6/1998 Ewing

- 5,762,221 A 6/1998 Tobias et al.
- 5,803,289 A 9/1998 Brady
- D420,919 S 2/2000 Ogg
- 6,036,037 A 3/2000 Scheffer et al.
- 6,044,997 A 4/2000 Ogg
- 6,076,688 A * 6/2000 Forget 215/44
- 6,223,920 B1 5/2001 Lane et al.
- 6,257,433 B1 7/2001 Ogg et al.
- 6,273,282 B1 8/2001 Ogg et al.
- 6,277,321 B1 8/2001 Vaillencourt et al.
- D447,411 S 9/2001 Lichtman et al.
- D451,032 S * 11/2001 Iizuka et al. D9/569
- D451,033 S * 11/2001 Iizuka et al. D9/569
- D452,444 S * 12/2001 Iizuka et al. D9/520
- D459,234 S * 6/2002 Bourque et al. D9/543
- 6,575,321 B1 6/2003 Bourque et al.
- D507,746 S * 7/2005 Sasaki et al. D9/516
- 2003/0136754 A1 7/2003 Bourque et al.

FOREIGN PATENT DOCUMENTS

- WO WO-97/34808 9/1997
- WO WO-0050309 8/2000

* cited by examiner

Primary Examiner—Carol Rademaker

(74) *Attorney, Agent, or Firm*—Venable LLP; James R. Burdett; Keith G. Haddaway

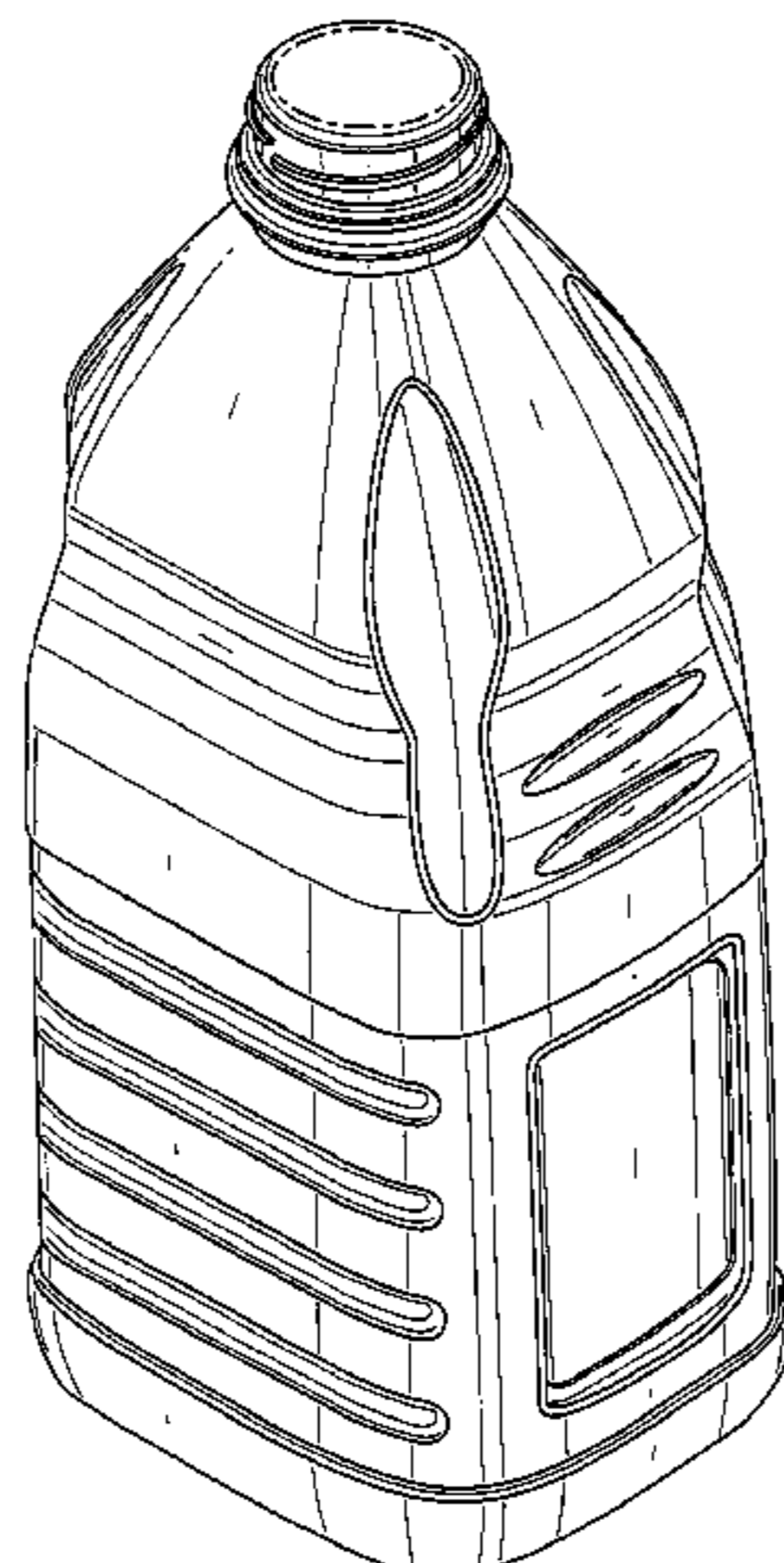
(57) **CLAIM**

The ornamental design for a container, as shown and described.

DESCRIPTION

FIG. 1 is a front view of a container according to the present invention, the back view being identical to the front view;
FIG. 2 is a right side view of a container according to the present invention, the left side view being identical to the right side view;
FIG. 3 is a top, front, and side view of a container according to the present invention; and,
FIG. 4 is a top view of a container according to the present invention.

1 Claim, 4 Drawing Sheets



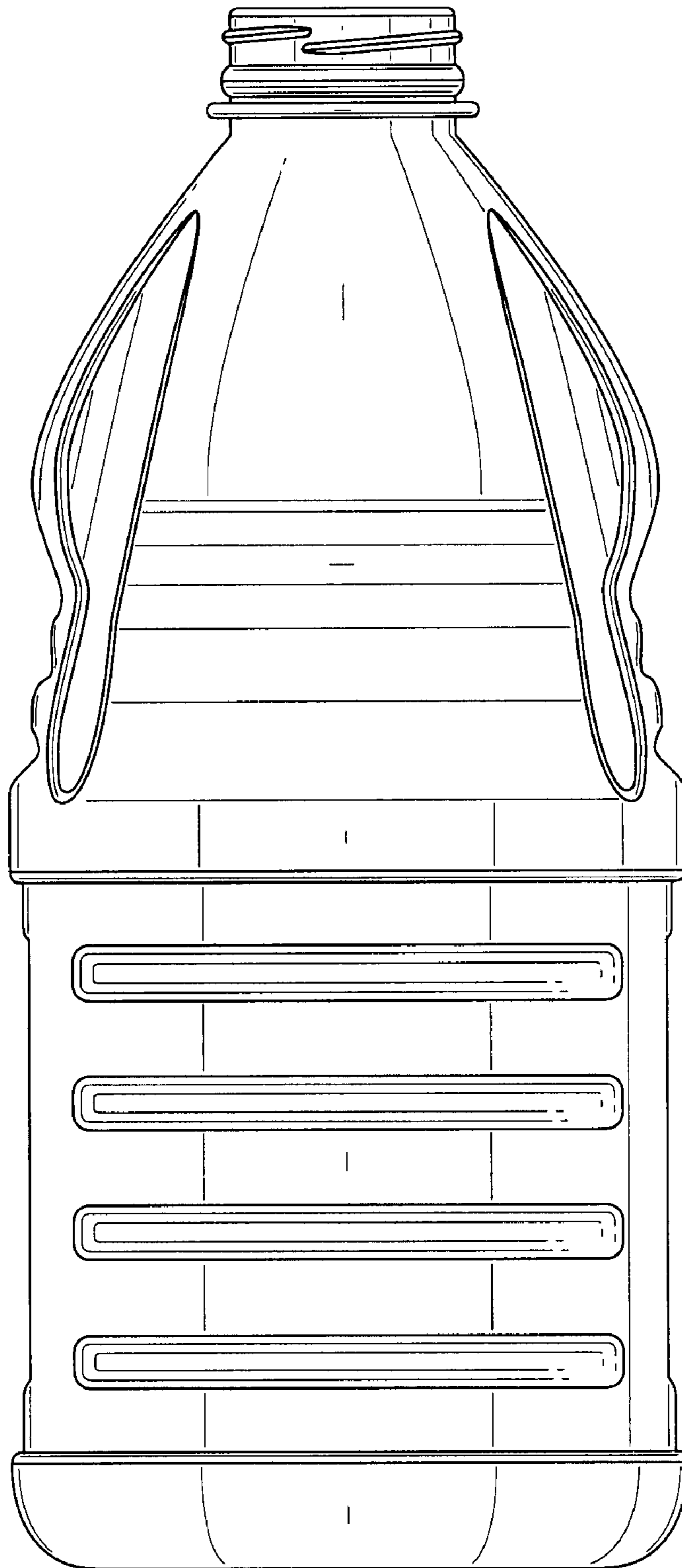


FIG. 1

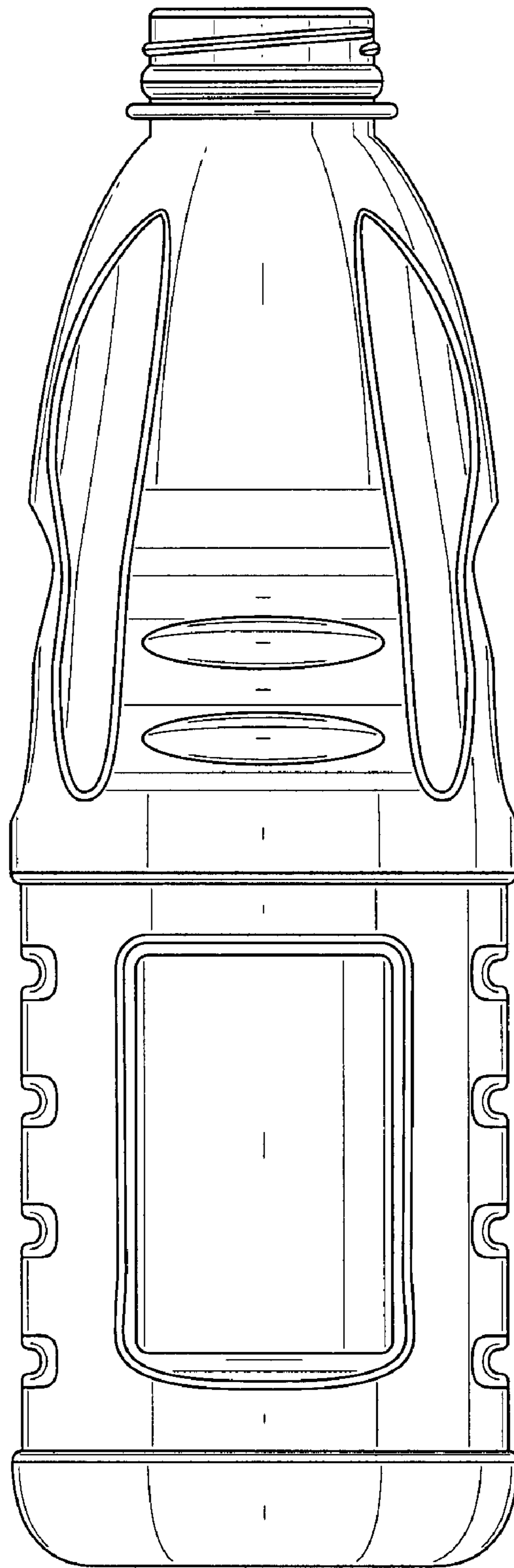


FIG. 2

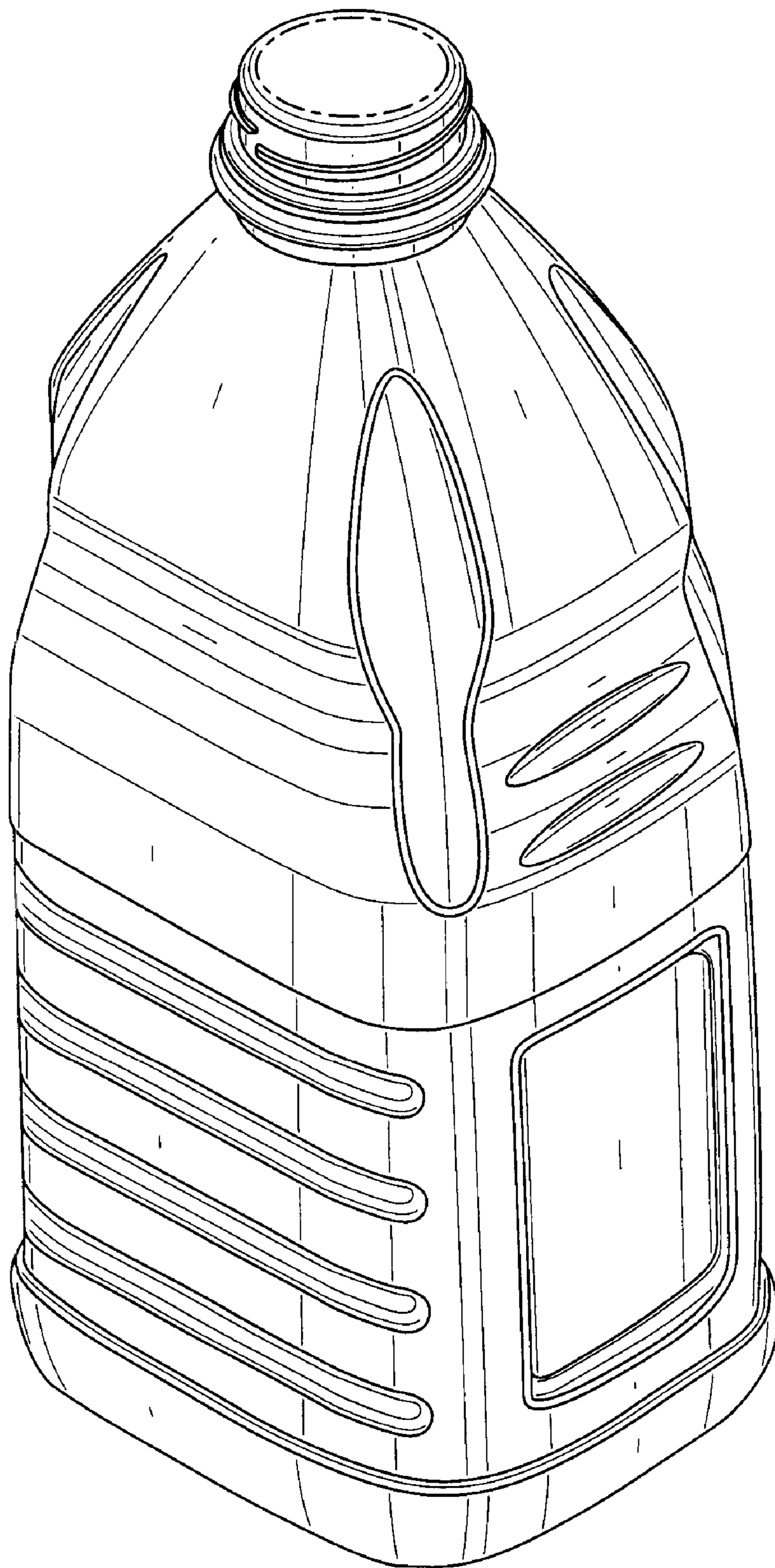


FIG. 3

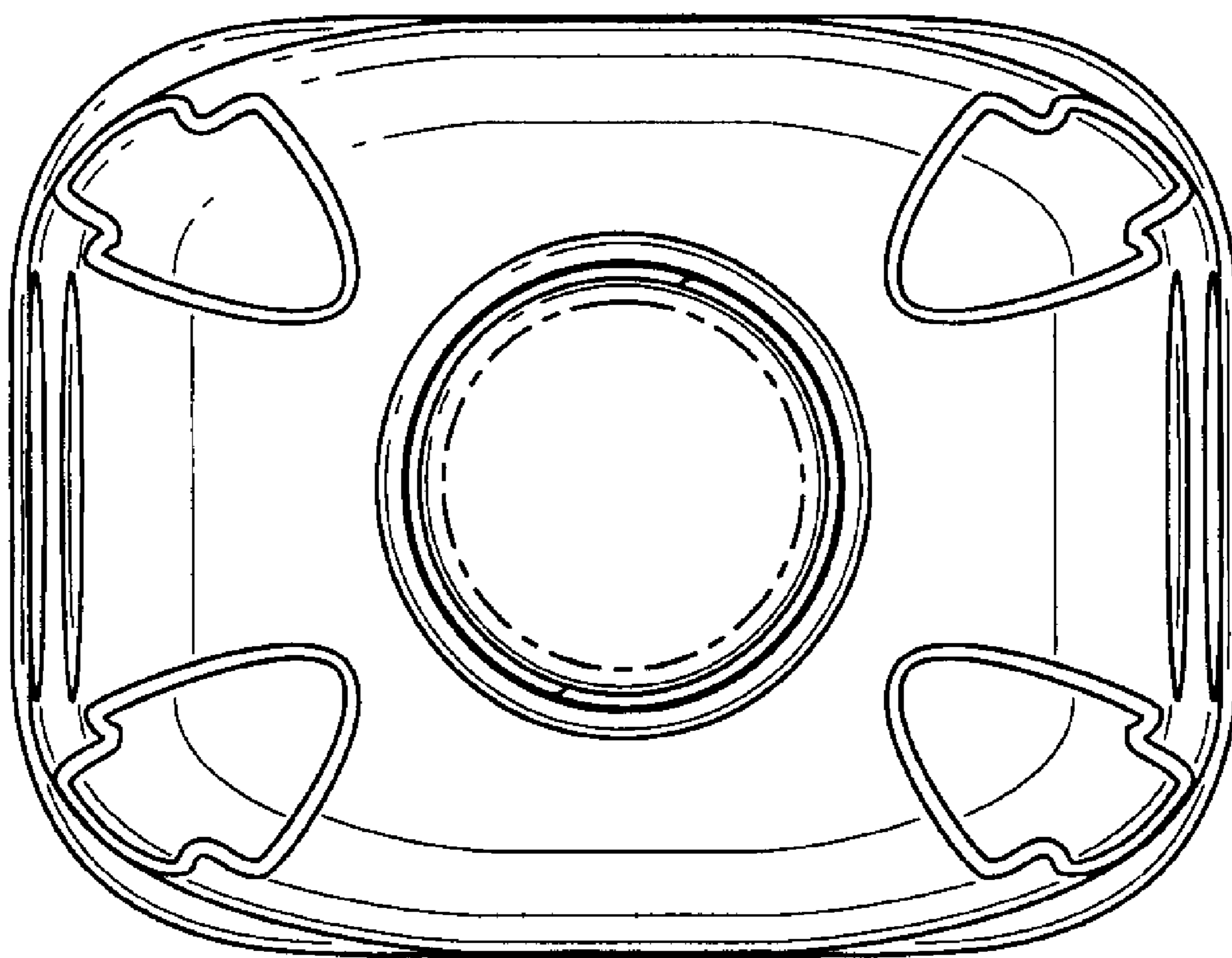


FIG. 4