



US00D533783S

(12) **United States Design Patent**
Kliger et al.

(10) **Patent No.:** **US D533,783 S**

(45) **Date of Patent:** **** Dec. 19, 2006**

(54) **CONTAINER**

(75) Inventors: **Allan S. Kliger**, Ontario (CA); **Ivan Da Barp**, Ontario (CA)

(73) Assignee: **Victory's Kitchen Ltd.**, Toronto

(**) Term: **14 Years**

(21) Appl. No.: **29/254,465**

(22) Filed: **Feb. 24, 2006**

(51) **LOC (8) Cl.** **09-01**

(52) **U.S. Cl.** **D9/519; D9/520; D9/548; D9/558**

(58) **Field of Classification Search** **D9/500, D9/502-505, 516, 519-520, 522, 526, 529, D9/541-546, 549, 550-552, 557, 563-565, D9/570-571, 574-575, 668, 682, 686-694, D9/723-729; D11/152-154; 215/382-384, 215/396, 398, 12.1-12.2, 13.1**

See application file for complete search history.

(56) **References Cited**

U.S. PATENT DOCUMENTS

D151,160 S	*	9/1948	Manca	D7/630
2,674,375 A	*	4/1954	Clay	209/251
D237,575 S	*	11/1975	Hamilton	D7/545
D239,172 S	*	3/1976	Berthoud	D23/202
D240,829 S	*	8/1976	Jones et al.	D9/689
D280,707 S	*	9/1985	Imanishi	D9/519

D306,406 S	*	3/1990	Pierce et al.	D9/424
D307,112 S	*	4/1990	Huck	D23/225
D318,614 S	*	7/1991	Sheridan	D9/519
D370,122 S	*	5/1996	Caldwell	D3/271.2
D381,561 S	*	7/1997	Manca	D7/590
D391,482 S	*	3/1998	Wiemann et al.	D9/434
D398,528 S	*	9/1998	Wiemann et al.	D9/434
D431,279 S	*	9/2000	Spiegel	D23/225
D504,067 S	*	4/2005	Feletto	D9/516

FOREIGN PATENT DOCUMENTS

EM	000343579-0001	*	5/2005
EM	000404256-0001	*	9/2005

* cited by examiner

Primary Examiner—Carol Rademaker

(74) *Attorney, Agent, or Firm*—Bereskin & Parr

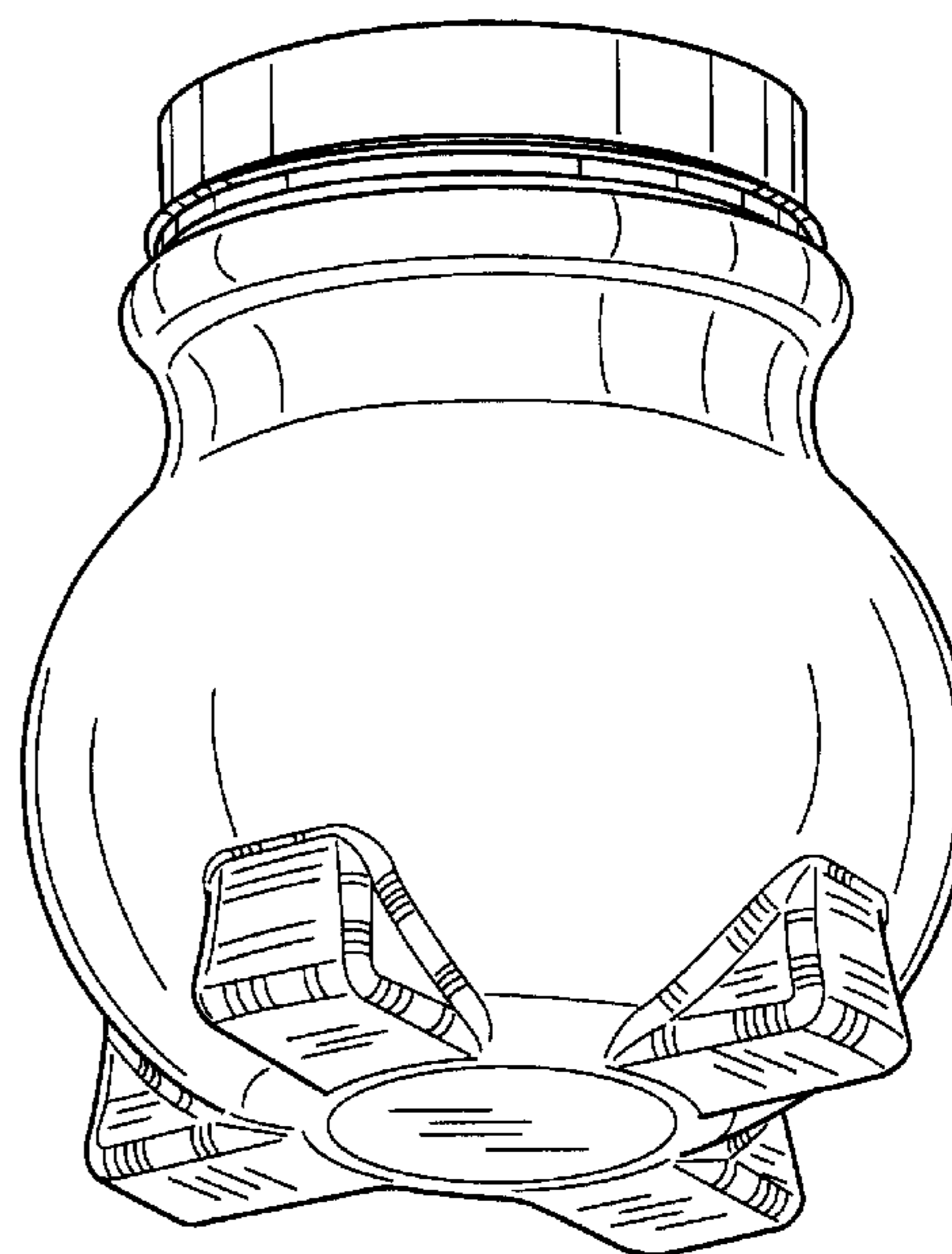
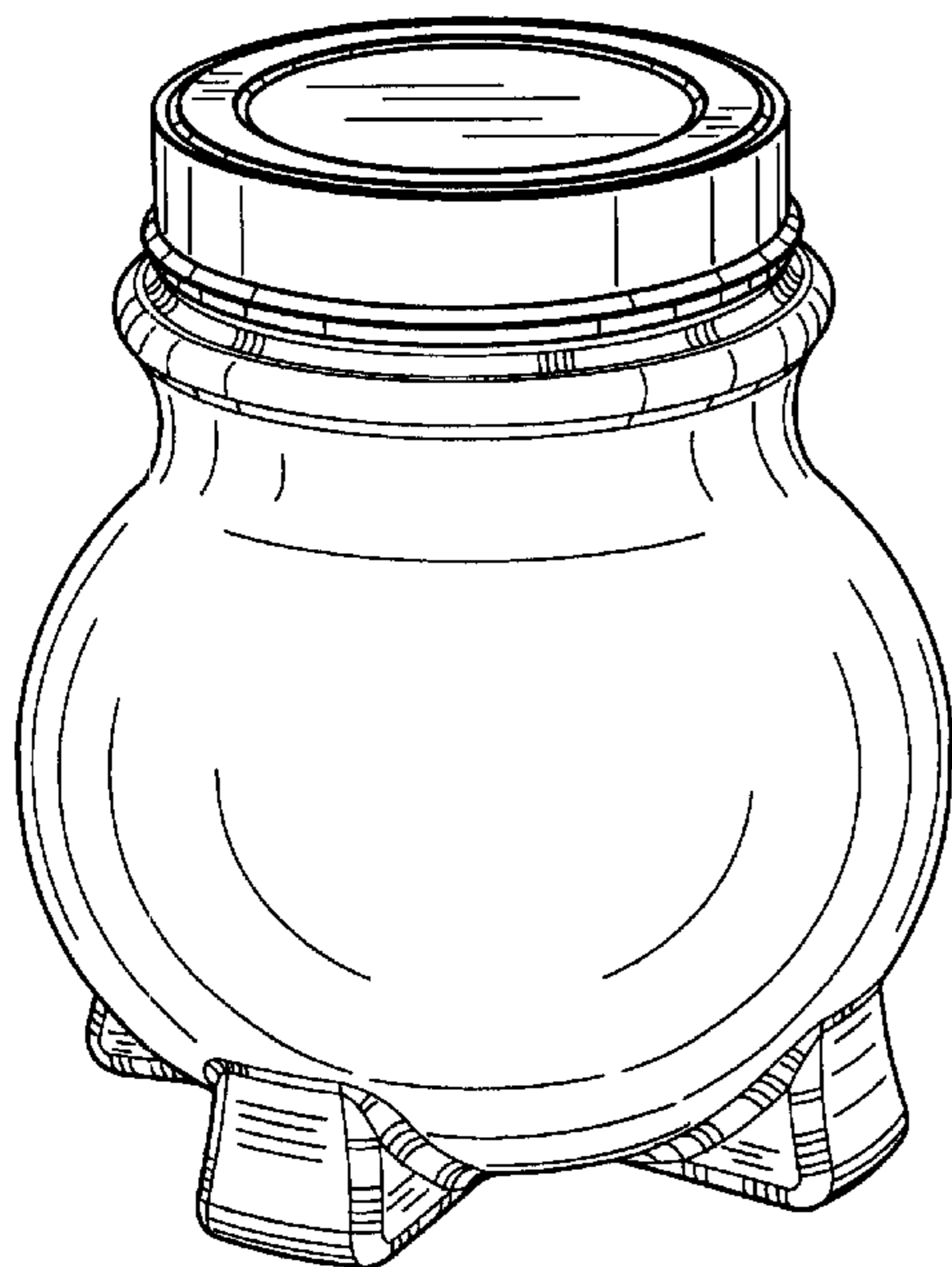
(57) **CLAIM**

The ornamental design for a container, as shown and described.

DESCRIPTION

FIG. 1 is a top perspective view of the design;
FIG. 2 is a bottom perspective view thereof;
FIG. 3 is left side elevation view thereof (with the right side elevation view being identical);
FIG. 4 is a top plan view thereof; and,
FIG. 5 is a bottom plan view thereof.

1 Claim, 2 Drawing Sheets



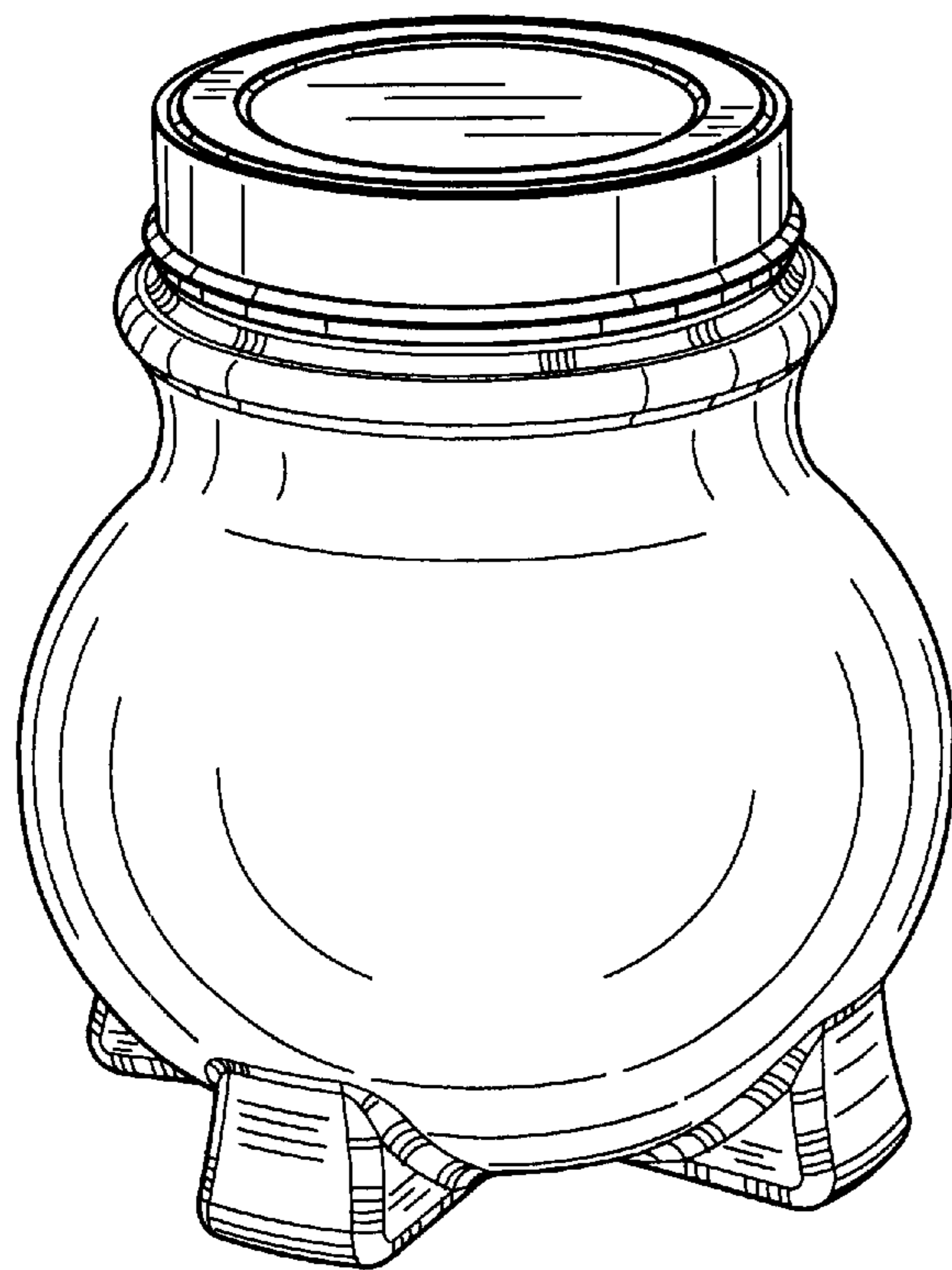


FIG. 1

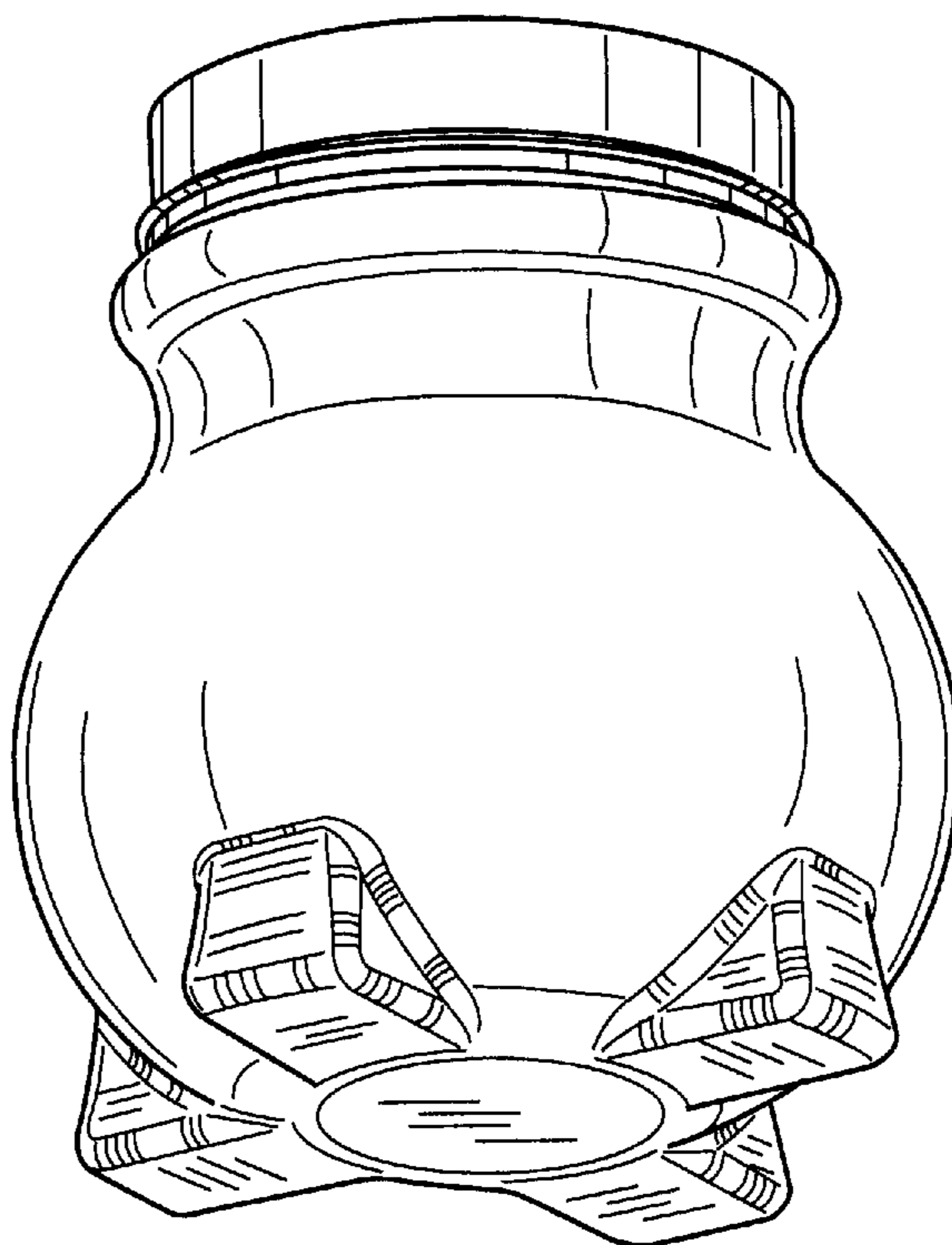


FIG. 2

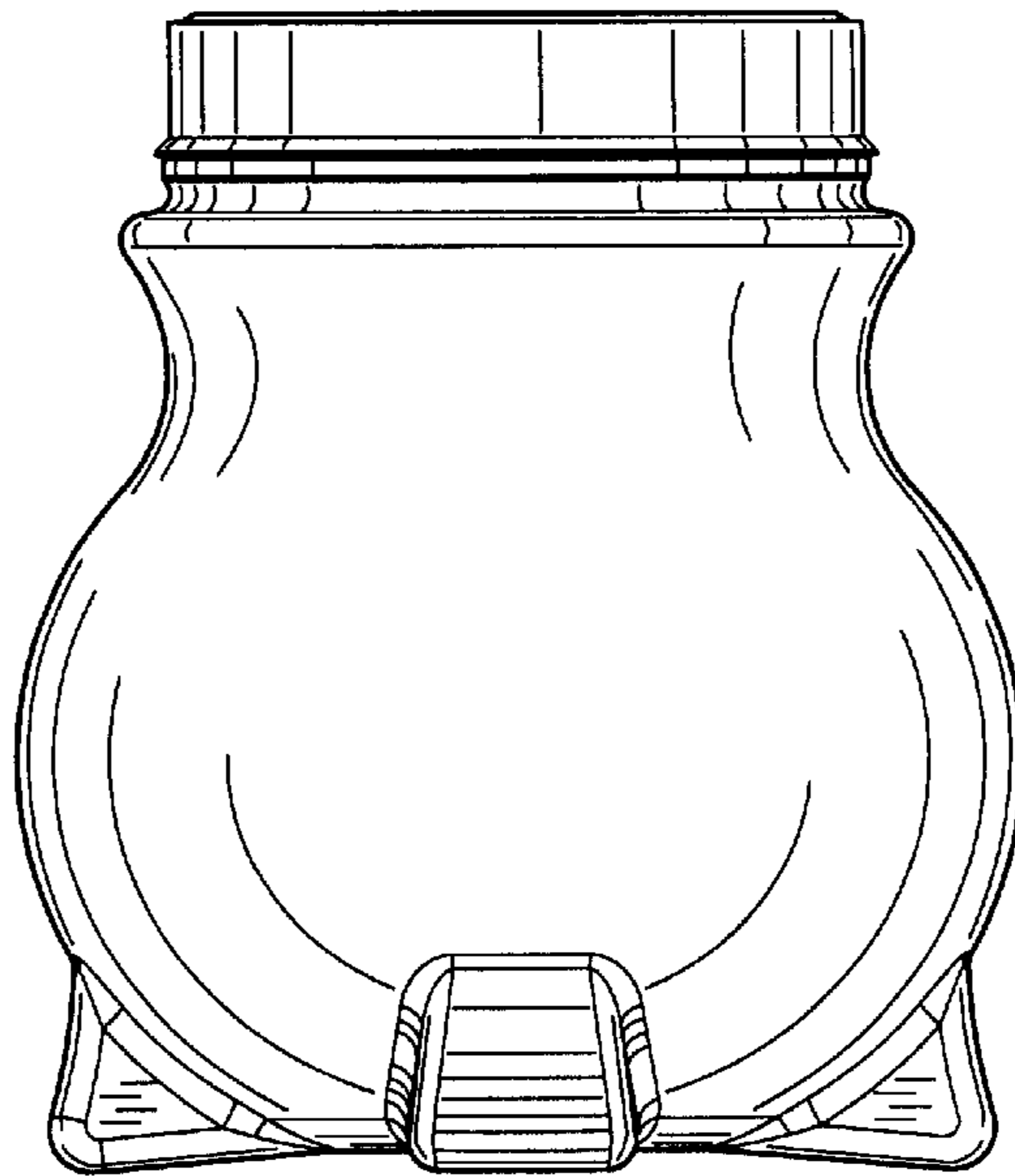


FIG. 3

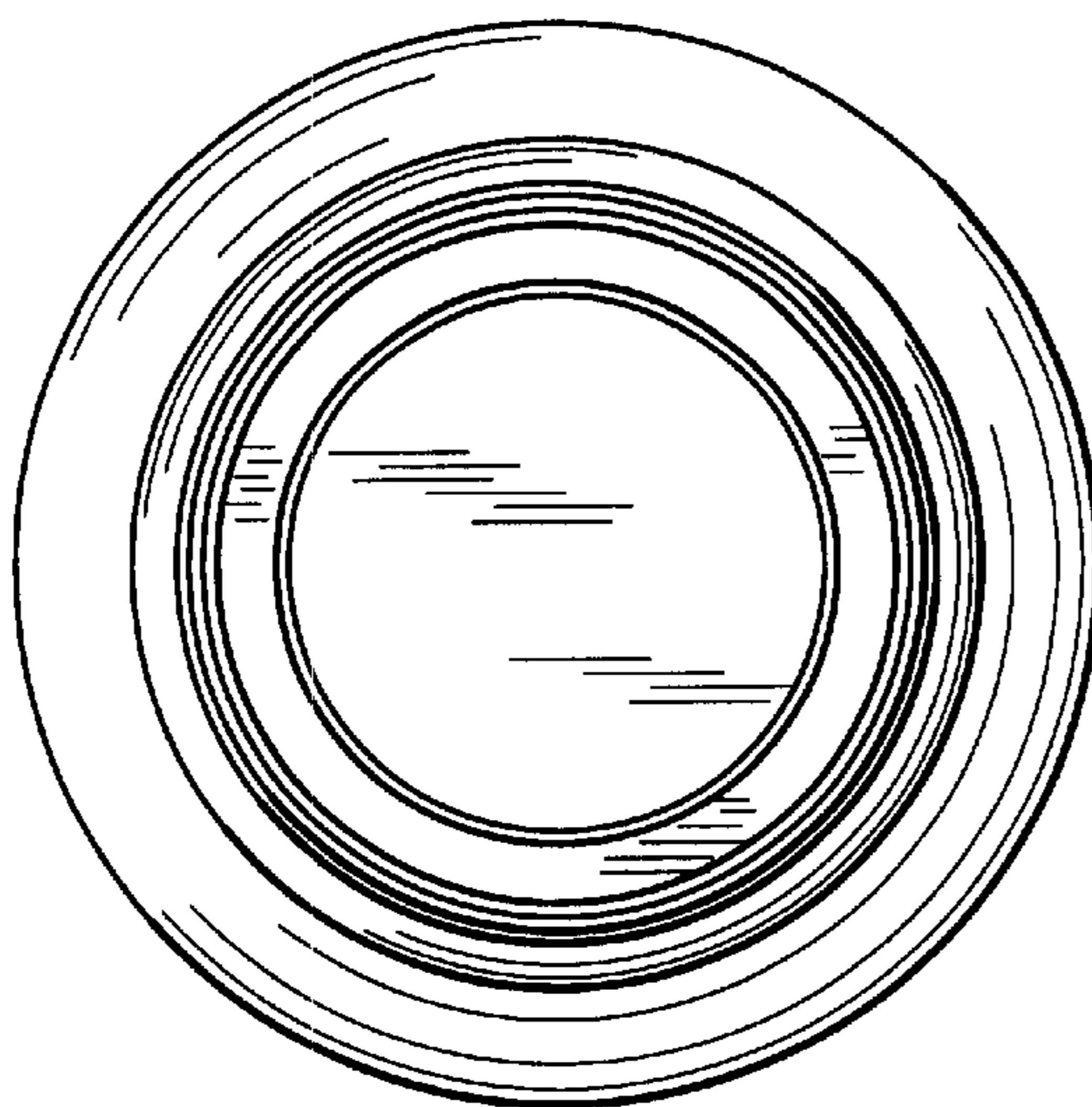


FIG. 4

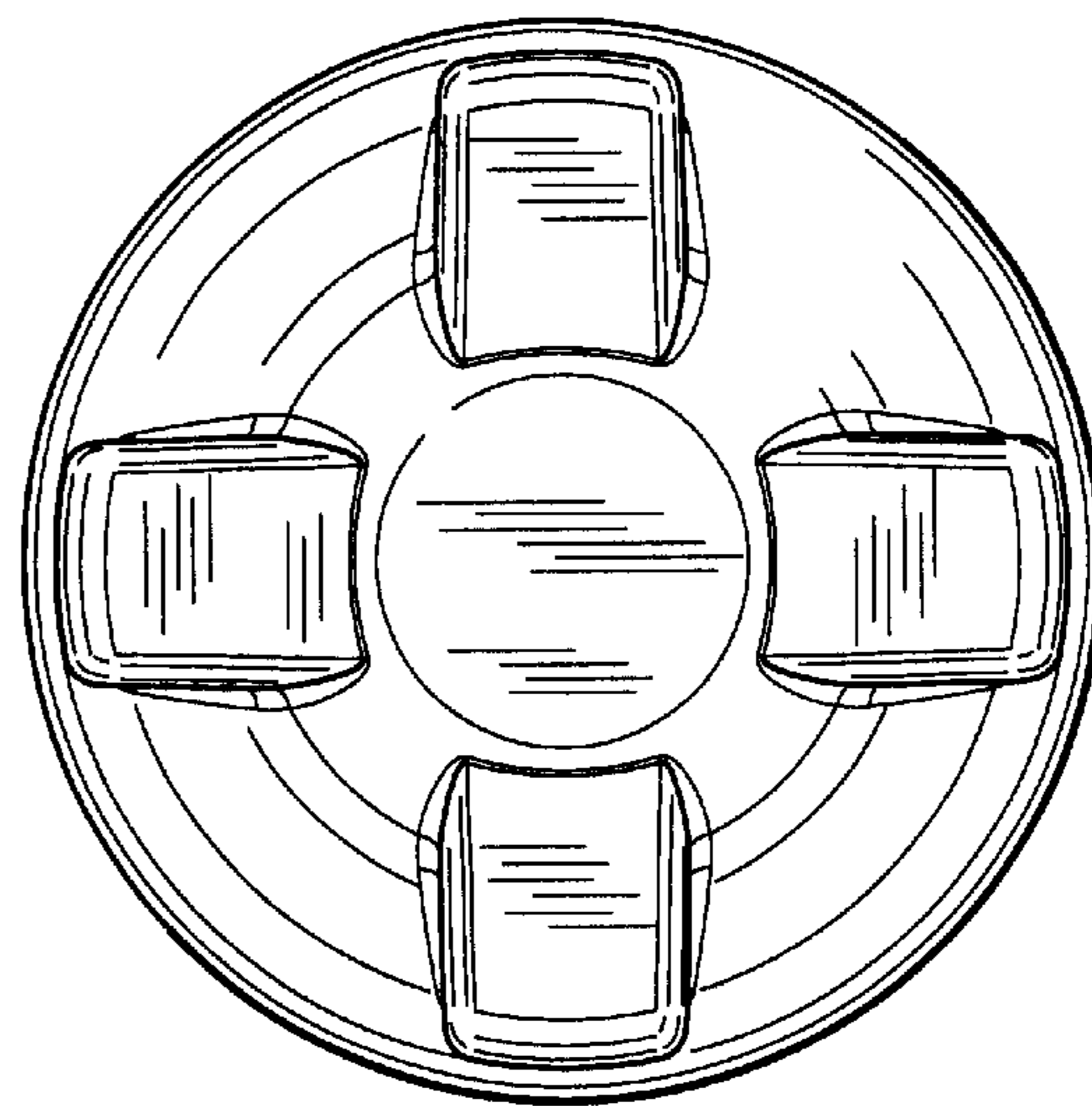


FIG. 5