



US00D533782S

(12) **United States Design Patent**
Ogg et al.

(10) **Patent No.:** **US D533,782 S**

(45) **Date of Patent:** **** Dec. 19, 2006**

(54) **CONTAINER DOME**

(75) Inventors: **Richard K. Ogg**, Littlestown, PA (US);
Gregory Trude, Seven Valley, PA (US)

(73) Assignee: **Graham Packaging Company, L.P.**,
York, PA (US)

(**) Term: **14 Years**

(21) Appl. No.: **29/258,955**

(22) Filed: **May 1, 2006**

Related U.S. Application Data

(63) Continuation of application No. 29/196,816, filed on Jan. 7,
2004, now Pat. No. Des. 525,527.

(51) **LOC (8) Cl.** **09-01**

(52) **U.S. Cl.** **D9/516; D9/564; D9/574**

(58) **Field of Classification Search** D9/684,
D9/738-747, 516, 523, 526, 528, 530-531,
D9/534, 541-543, 551-553, 559, 560-561,
D9/562-567, 569-575; 215/10, 381-384
See application file for complete search history.

(56) **References Cited**

U.S. PATENT DOCUMENTS

5,178,290	A	*	1/1993	Ota et al.	215/382
D340,190	S	*	10/1993	Skidmore et al.	D9/542
D378,274	S	*	3/1997	Beaver	D9/530
5,762,221	A	*	6/1998	Tobias et al.	215/381
D420,919	S	*	2/2000	Ogg	D9/542
6,044,997	A	*	4/2000	Ogg	215/381
6,076,688	A	*	6/2000	Forget	215/44
D445,695	S	*	7/2001	Ogg	D9/550
D451,032	S	*	11/2001	Iizuka et al.	D9/569

D451,033	S	*	11/2001	Iizuka et al.	D9/569
D452,444	S	*	12/2001	Iizuka et al.	D9/520
D459,234	S	*	6/2002	Bourque et al.	D9/543
6,575,321	B1	*	6/2003	Bourque et al.	215/384
D507,746	S	*	7/2005	Sasaki et al.	D9/516
6,974,047	B1	*	12/2005	Kelley et al.	215/381
2003/0136754	A1	*	7/2003	Bourque et al.	215/384

* cited by examiner

Primary Examiner—Carol Rademaker

(74) *Attorney, Agent, or Firm*—Venable LLP; James R. Burdett; Keith G. Haddaway

(57) **CLAIM**

The ornamental design for a container dome, as shown and described.

DESCRIPTION

FIG. 1 is a perspective view of a container dome according to the present invention;

FIG. 2 is a front elevational view thereof, the back elevational view being identical;

FIG. 3 is a right side elevational view thereof, the left side elevational view being a mirror identical; and,

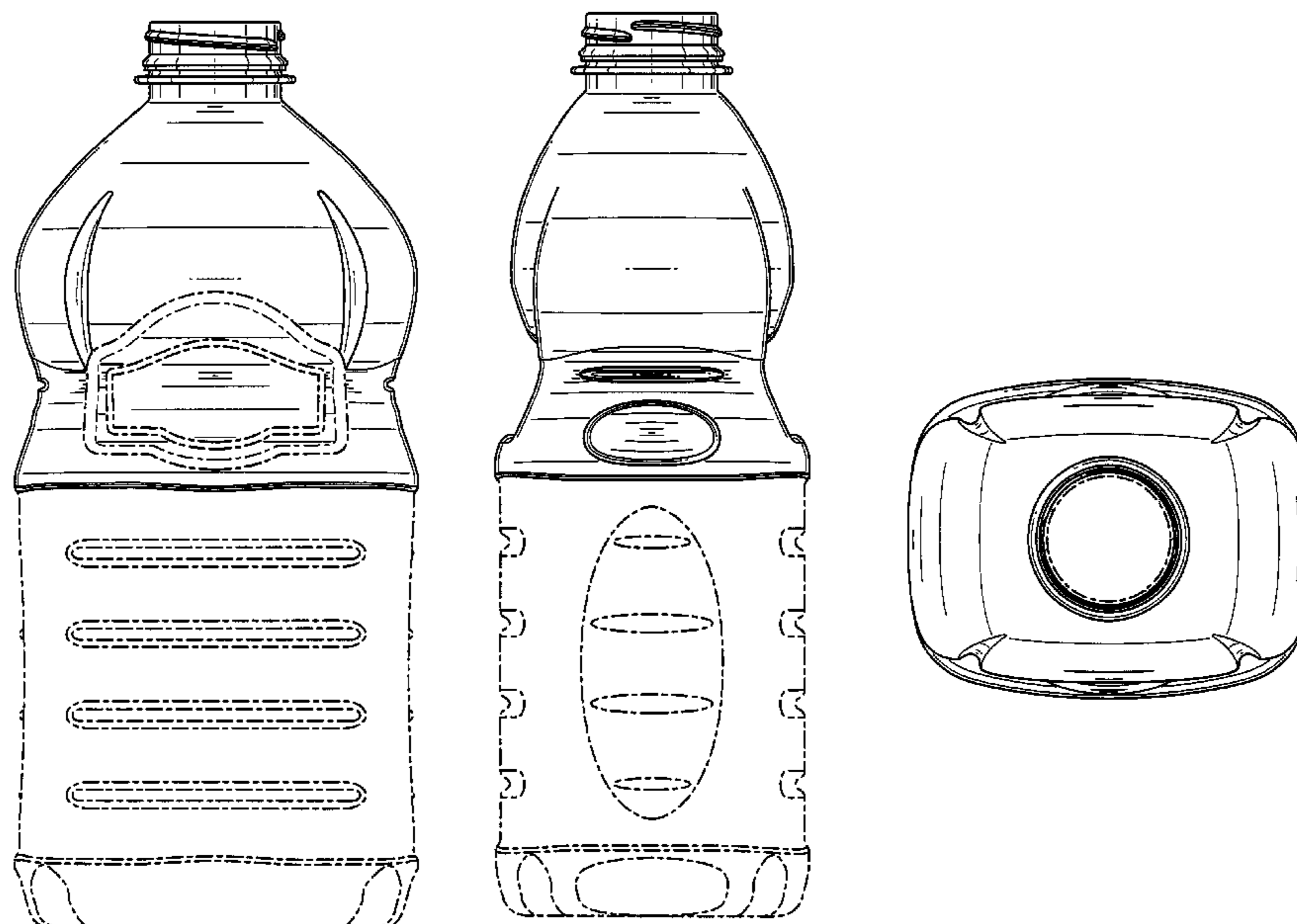
FIG. 4 is a top plan view thereof.

The right side view and left side view of the container dome of the second embodiment are identical to the right side view and left side view of the third embodiment.

The right side view and left side view of the container of the fourth and fifth embodiments are identical to the right side view and left side view of the third embodiment.

The top view of the container dome of the second embodiment and top view of the container of the third through fifth embodiments are identical to the top view of the container dome of the first embodiment.

1 Claim, 4 Drawing Sheets



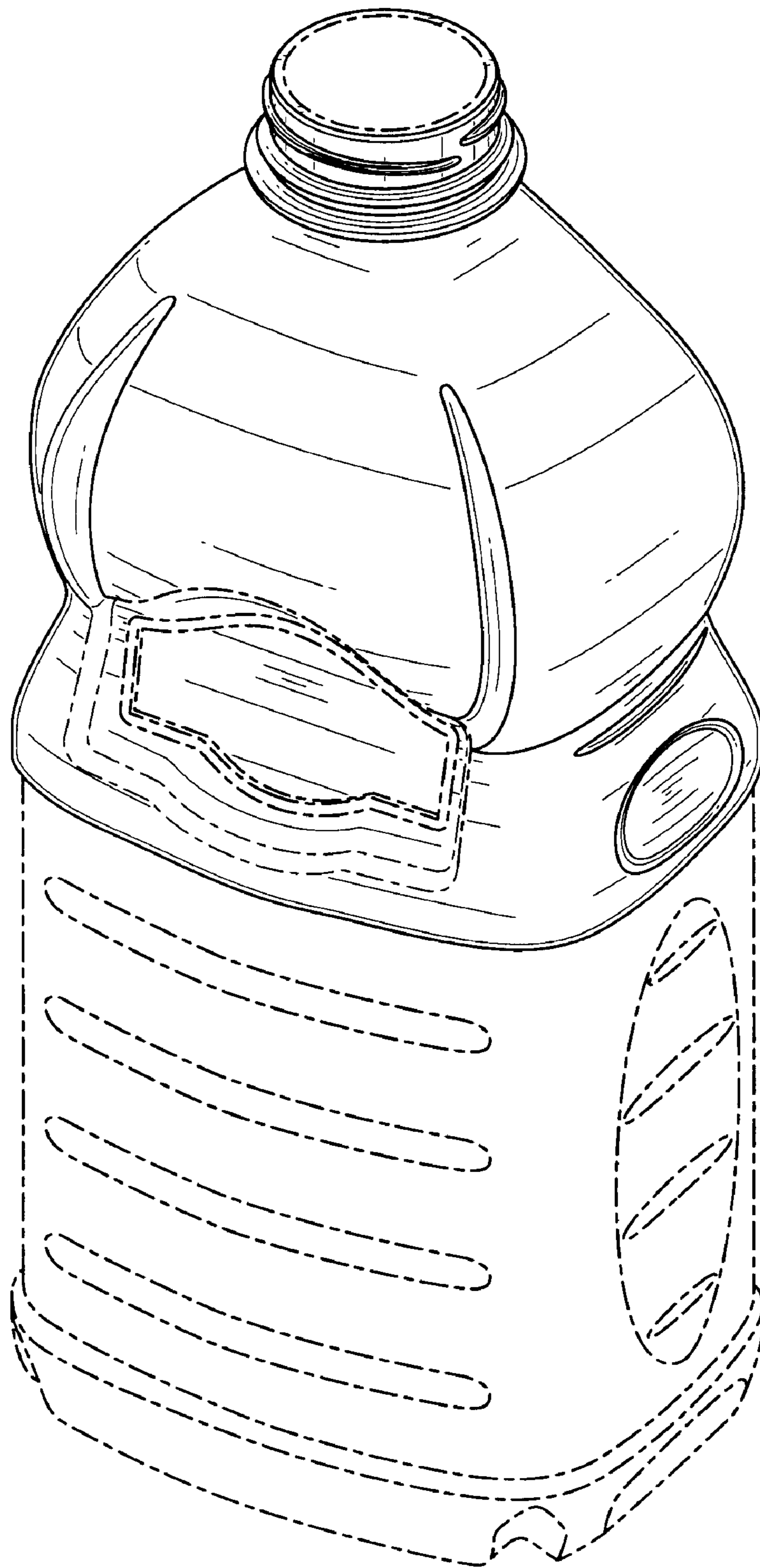


FIG. 1

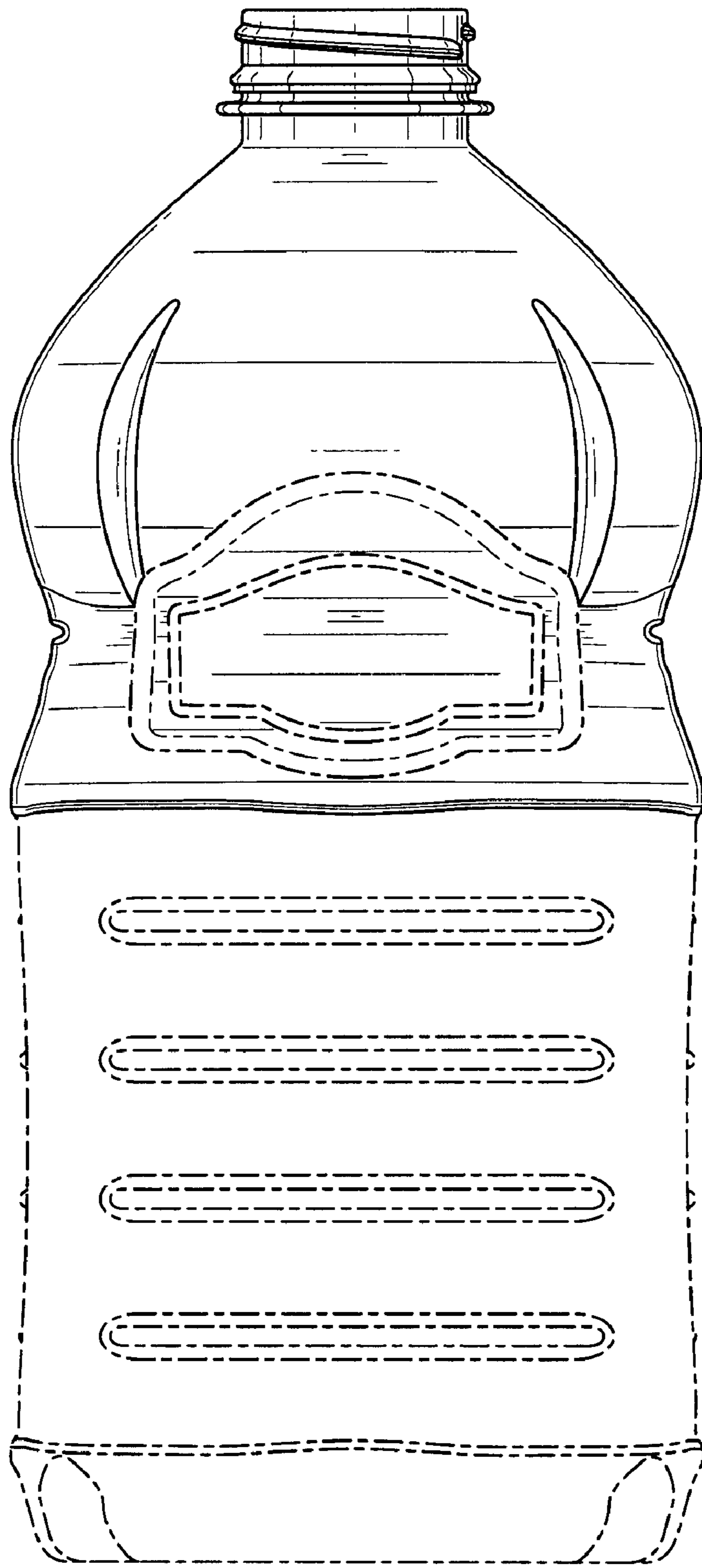


FIG. 2

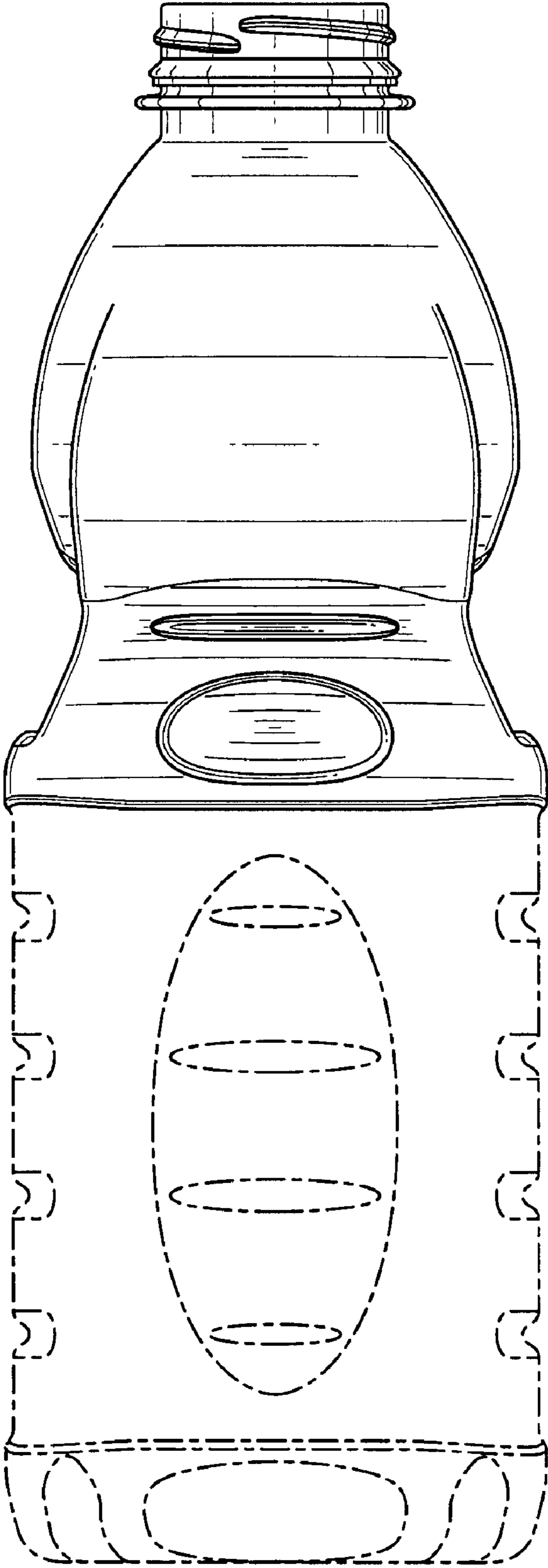


FIG. 3

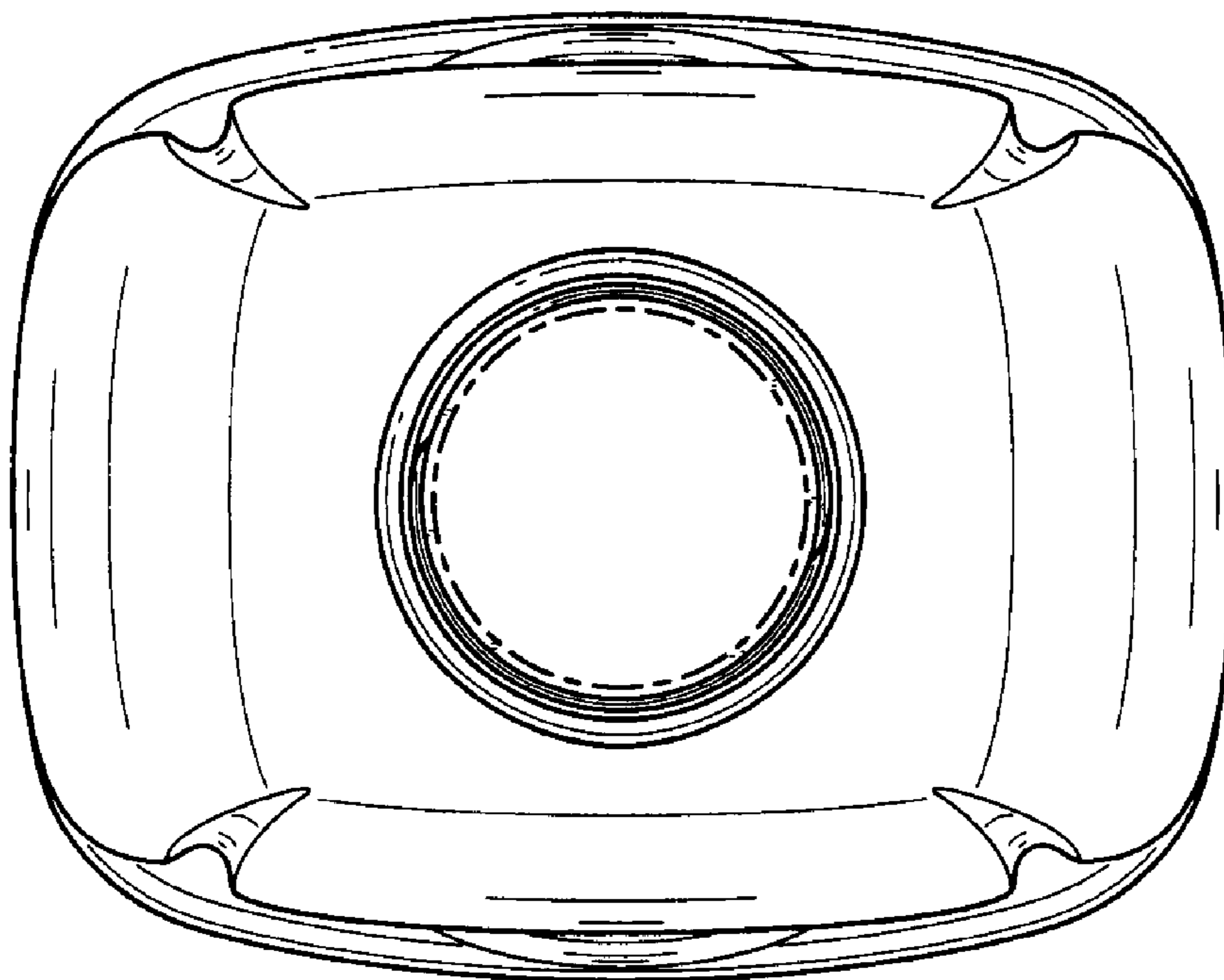


FIG. 4