



US00D533779S

(12) **United States Design Patent**
Schmidtner et al.

(10) **Patent No.:** **US D533,779 S**
(45) **Date of Patent:** **** Dec. 19, 2006**

- (54) **RECLOSABLE CUP LID**
- (75) Inventors: **Alois A. Schmidtner**, Hellertown, PA (US); **Jonathan E. Rush**, Mt. Bethel, PA (US)
- (73) Assignee: **Fort James Corporation**, Atlanta, GA (US)
- (**) Term: **14 Years**
- (21) Appl. No.: **29/214,791**
- (22) Filed: **Oct. 8, 2004**
- (51) **LOC (8) Cl.** **09-07**
- (52) **U.S. Cl.** **D9/449**
- (58) **Field of Classification Search** D9/454, D9/449, 447, 445, 439, 438, 435, 452, 453; D7/638, 511, 510, 392, 392.1; D3/323; 220/270-271, 220/709, 718, 781, 575, 715; 215/254
See application file for complete search history.

- 4,989,746 A 2/1991 Pierce
- 5,025,945 A 6/1991 Lyon 220/85 H
- 5,086,941 A 2/1992 English et al. 220/254
- 5,148,936 A 9/1992 DeGrow

(Continued)

OTHER PUBLICATIONS

J.L. Throne, Thermoforming, published 1987 by Coulthard; pp. 21-29.

Primary Examiner—Robert M. Spear
Assistant Examiner—Susan Bennett Hattan

(74) *Attorney, Agent, or Firm*—Georgia Pacific Corp; Jacqueline M. Hutter

(57) **CLAIM**

The ornamental design for a reclosable cup lid, as shown and described.

DESCRIPTION

A portion of the disclosure of this patent document contains material to which a claim for copyright is made. The copyright owner has no objection to the facsimile reproduction by anyone of the patent document or the patent disclosure as it appears in the Patent and Trademark Office patent file or records, but reserves all other copyright rights whatsoever.

FIG. 1 is a top perspective view of the reclosable cup lid of this invention with the sliding closure panel thereof in its open position;

FIG. 2 is a top view of the reclosable cup lid of FIG. 1

FIG. 3 is another top view of the reclosable cup lid of FIG. 1, wherein the closure panel is shown in its closed position;

FIG. 4 is a bottom perspective view of the reclosable cup lid of FIG. 1, with the closure panel shown in its open position;

FIG. 5 is a bottom view of the reclosable cup lid of FIG. 1, with the closure panel again shown in its open position;

FIG. 6 is a view in elevation of the Reclosable Cup Lid of FIG. 1 along line 6-6 of FIG. 2; and

FIG. 7 is another view in elevation along line 7-7 of FIG. 2

(56) **References Cited**

U.S. PATENT DOCUMENTS

- 581,293 A 4/1897 Leggett
- 947,974 A 2/1910 Cibulka
- 1,433,544 A 10/1922 Gibbs
- 1,765,284 A 6/1930 Prosnitz
- 1,888,363 A 11/1932 Tannewitz
- 2,304,214 A 12/1942 Straub
- 2,492,846 A 12/1949 Coyle et al. 222/559
- 3,363,798 A 1/1968 Garangiotis
- 3,938,690 A 2/1976 Butler
- 4,057,167 A * 11/1977 Lee 220/715
- 4,099,642 A * 7/1978 Nergard 220/715
- 4,127,212 A 11/1978 Waterbury 220/254
- 4,170,724 A 10/1979 Waterbury 200/346
- 4,201,320 A 5/1980 Eppenbach 222/456
- 4,434,906 A 3/1984 Florczyk et al. 220/268
- 4,570,817 A 2/1986 Hambleton et al. 220/345
- 4,579,245 A 4/1986 Narushko
- 4,746,032 A 5/1988 Huang
- 4,749,099 A 6/1988 Davis et al. 220/265
- D296,523 S * 7/1988 Corno et al. D9/435
- 4,819,829 A 4/1989 Rosten et al.

1 Claim, 4 Drawing Sheets

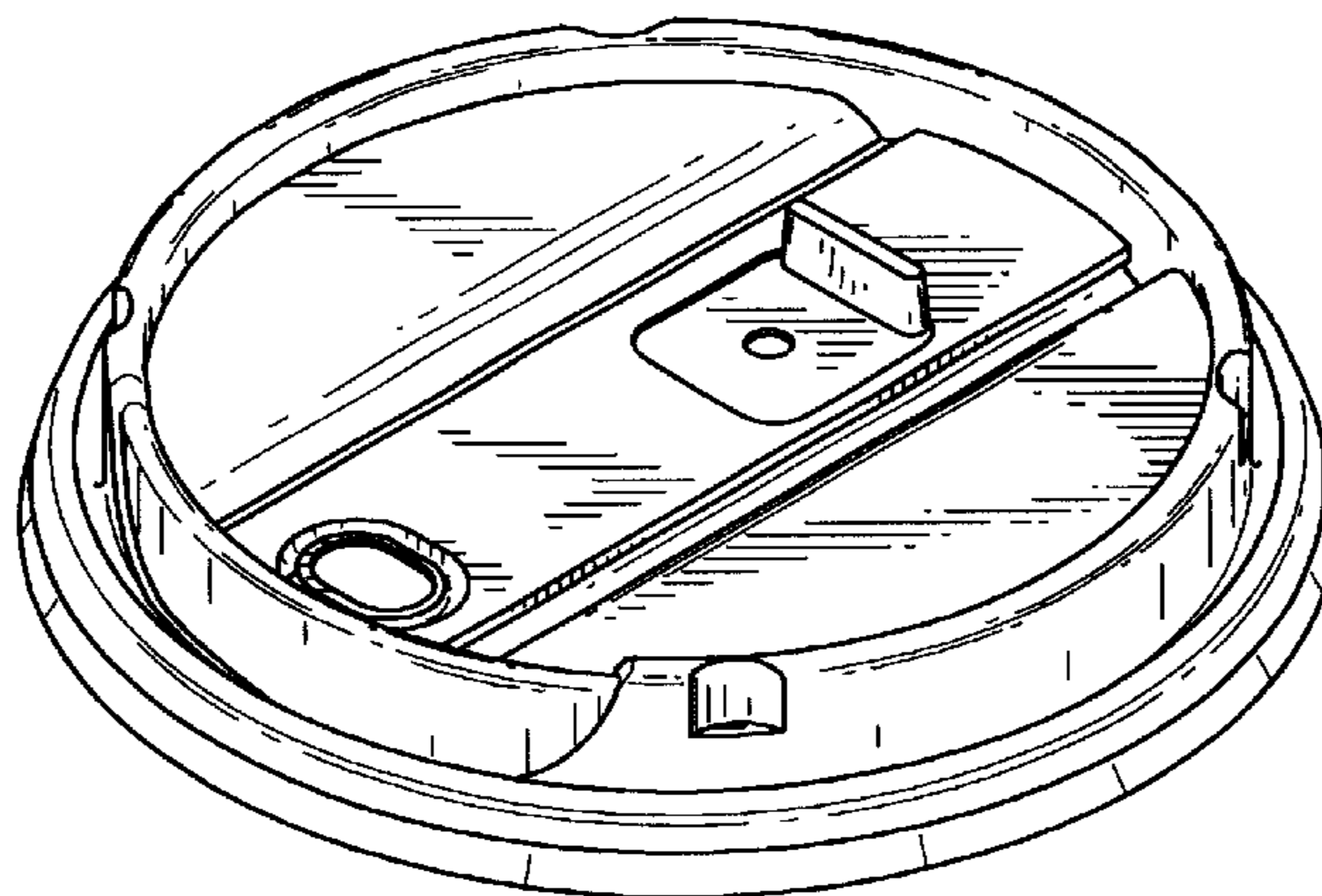


FIG. 1

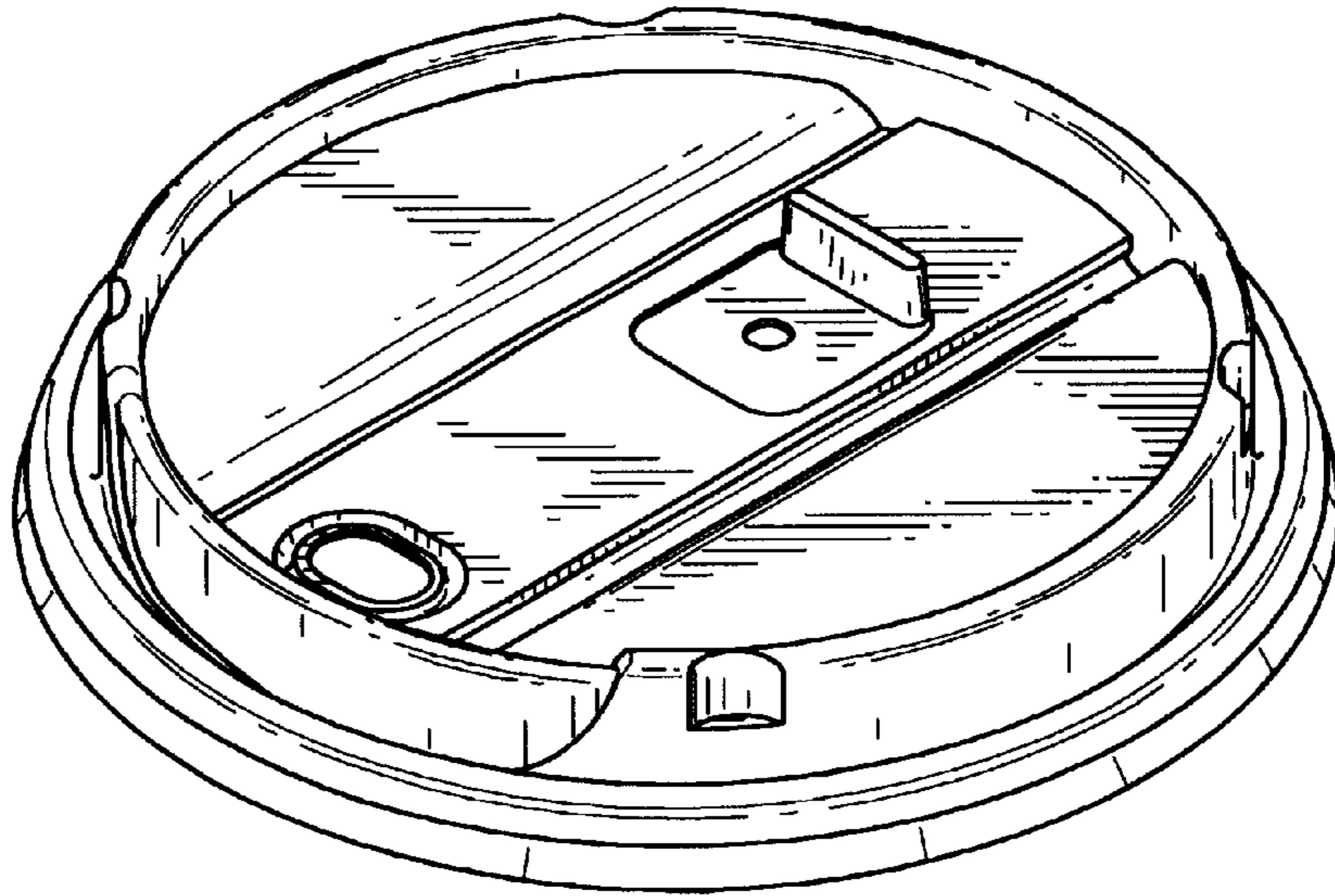


FIG. 2

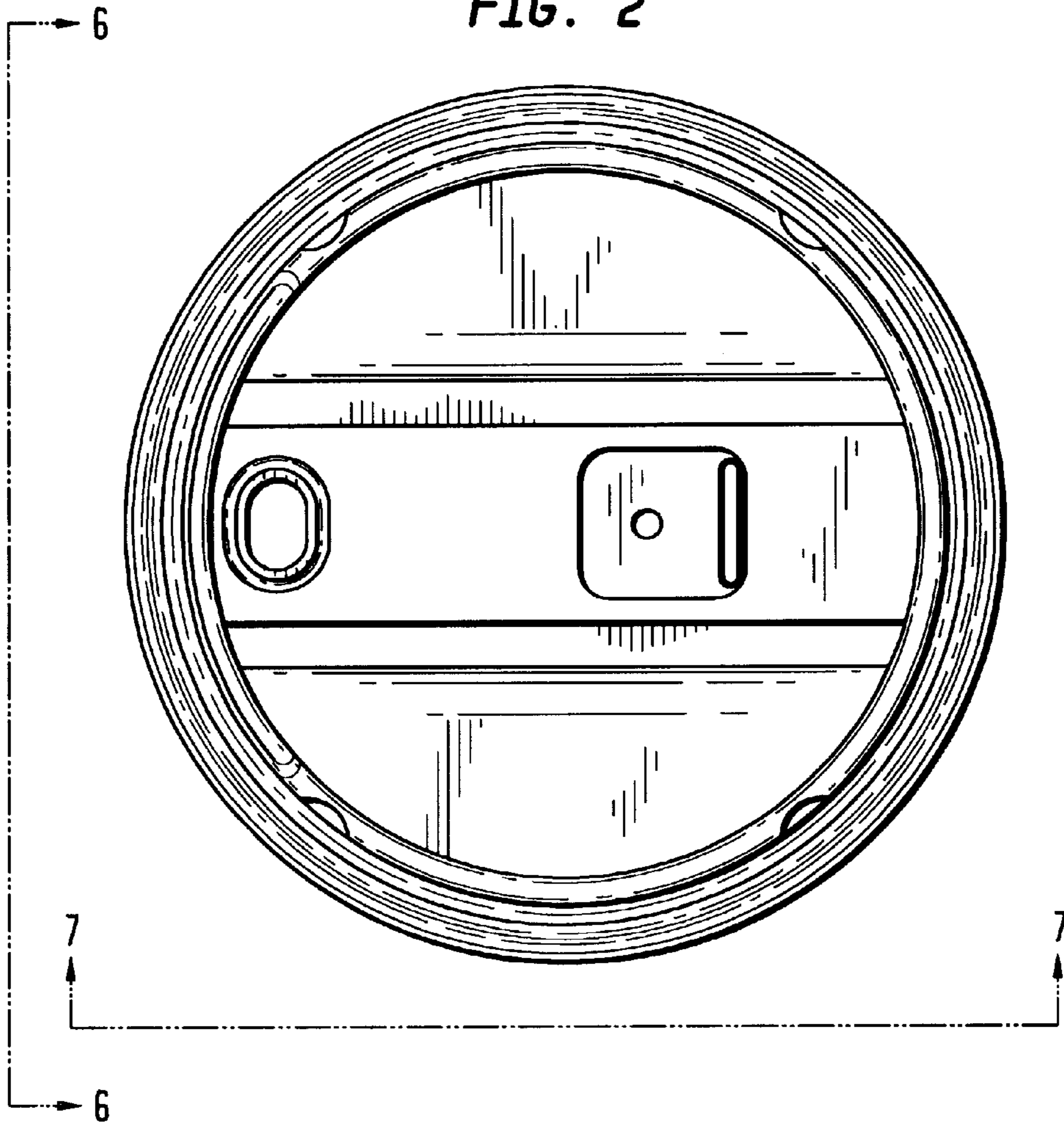


FIG. 3

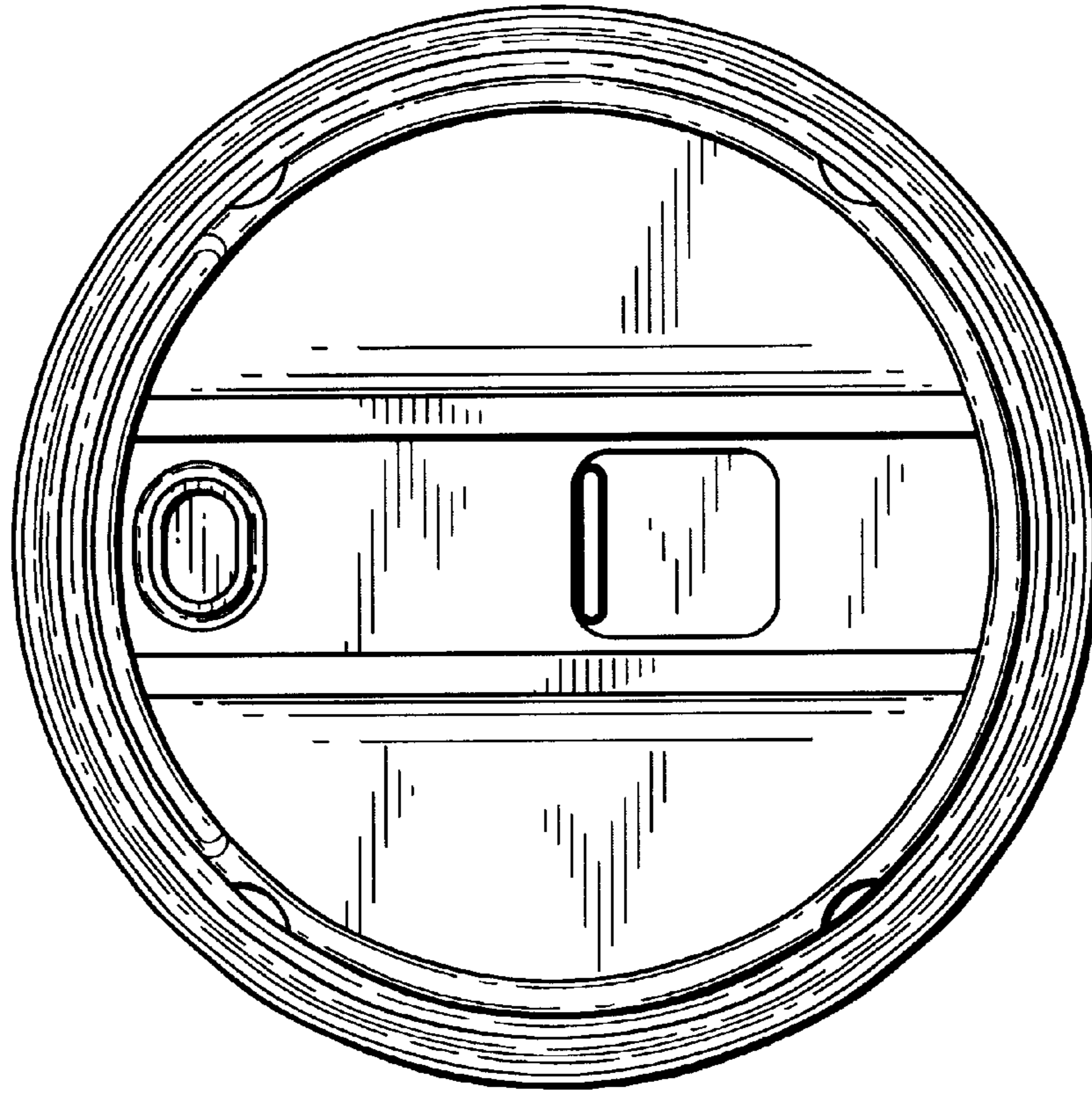


FIG. 4

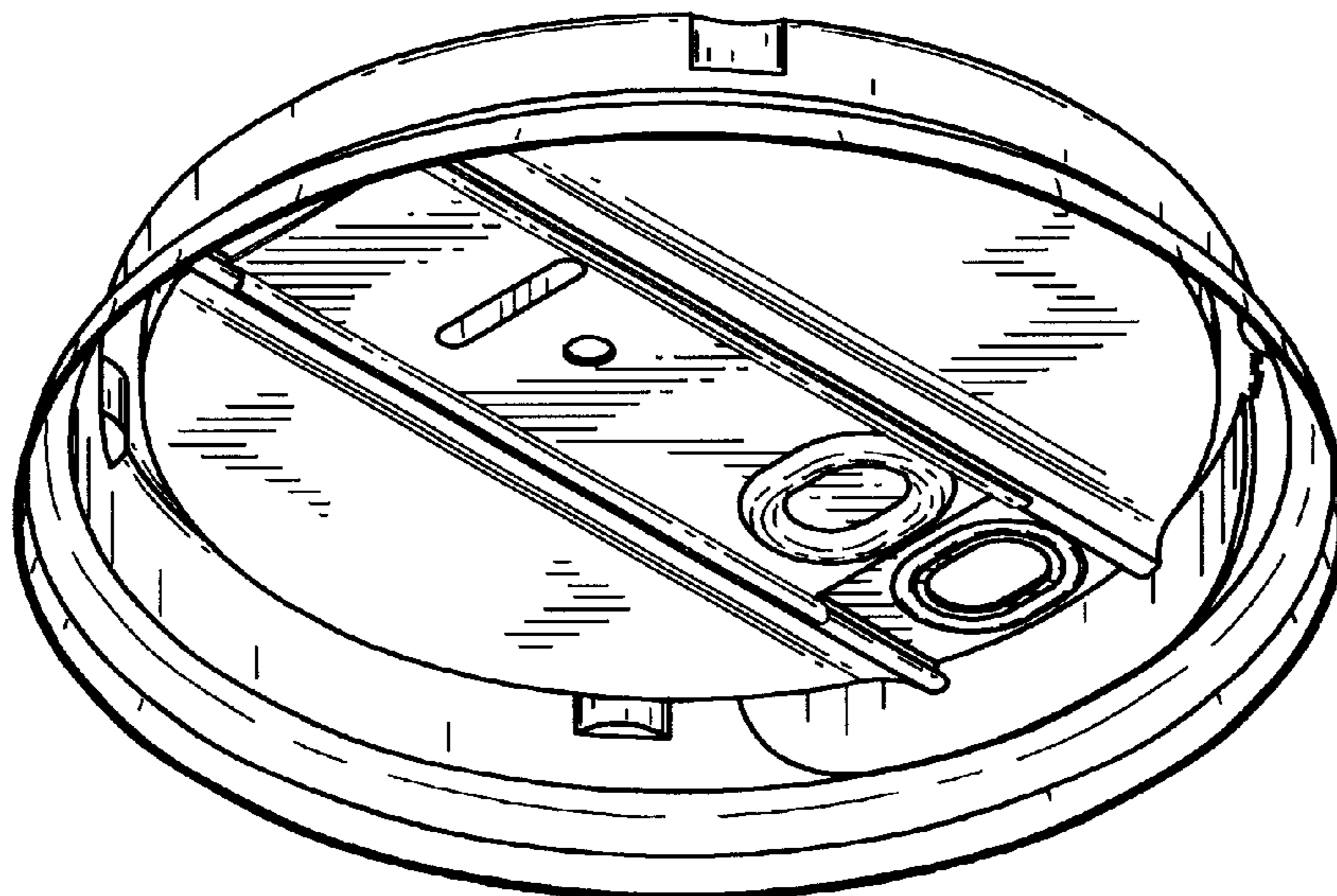


FIG. 5

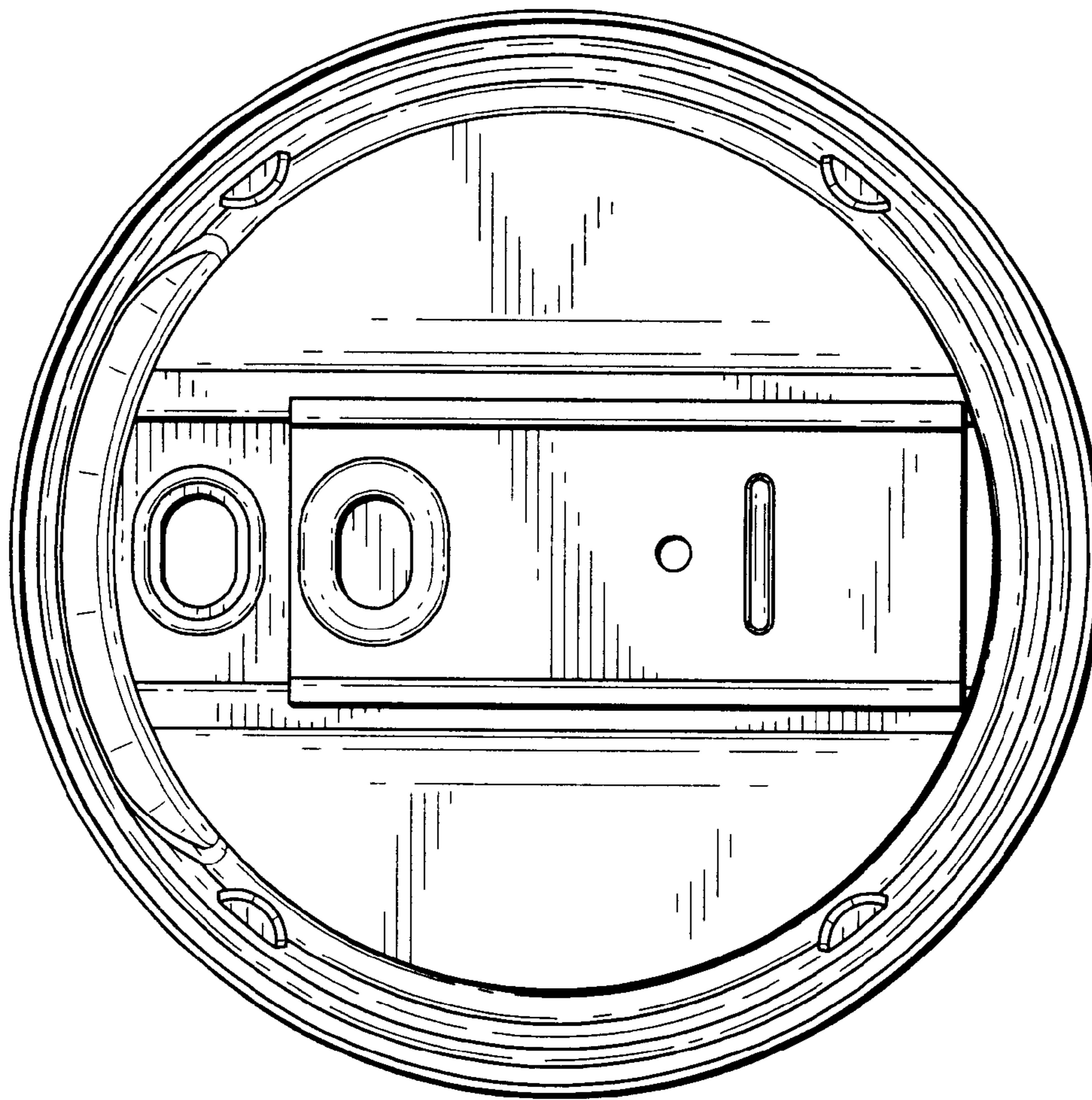


FIG. 6

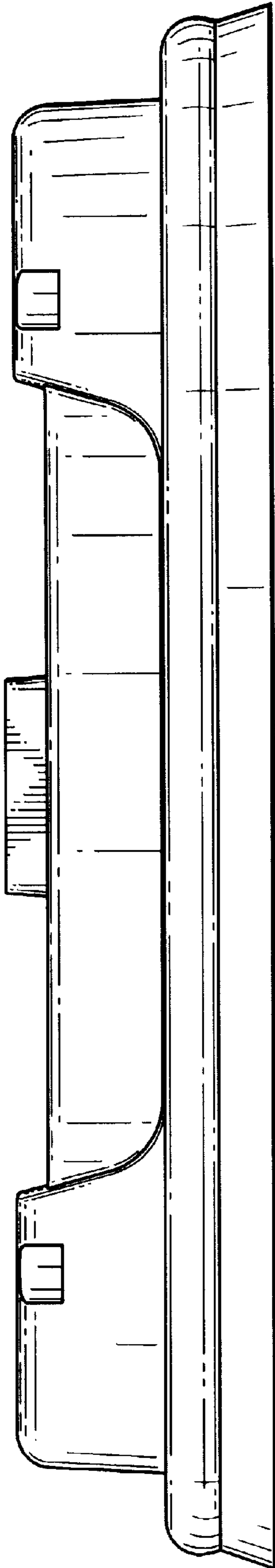


FIG. 7

