



US00D533777S

(12) **United States Design Patent** (10) **Patent No.:** **US D533,777 S**
Hundley et al. (45) **Date of Patent:** **** Dec. 19, 2006**

(54) **CONTOURED PROFILE DOMED LID**

(75) Inventors: **Bobby V. Hundley**, Glendale, AZ (US);
Joseph H. Quatmann, Phonix, AZ (US)

(73) Assignee: **Wincup Holdings, Inc.**, Radnor, PA (US)

(**) Term: **14 Years**

(21) Appl. No.: **29/227,432**

(22) Filed: **Apr. 11, 2005**

(51) **LOC (8) Cl.** **09-07**

(52) **U.S. Cl.** **D9/447**

(58) **Field of Classification Search** D9/454,
D9/450, 449, 447, 445, 441, 438, 435, 434;
D7/629, 511, 510, 396.2, 392.1, 317; D3/203.2,
D3/202; 222/555, 451.2; 220/713, 712, 270,
220/253

See application file for complete search history.

5,090,584 A 2/1992 Roberts et al. 220/712
5,111,961 A 5/1992 Van Melle 220/712
5,183,172 A 2/1993 Boller 220/270
5,197,624 A 3/1993 Dodaro 220/254
5,398,843 A 3/1995 Warden et al. 220/711
D363,665 S 10/1995 Goto et al. D9/434
5,490,609 A 2/1996 Lane et al. 220/712
5,503,289 A 4/1996 Fox 220/254
5,509,568 A 4/1996 Warden et al. 220/711
D376,952 S * 12/1996 Rausch D7/392.1
5,613,619 A 3/1997 Van Melle 220/712
5,699,927 A 12/1997 Lane et al. 220/254
D390,465 S * 2/1998 Frye D9/447
D399,050 S 10/1998 Evans D3/203
5,820,016 A 10/1998 Stropkay 229/403
5,839,601 A 11/1998 Van Melle 220/712
5,947,323 A 9/1999 Freek et al. 220/709
6,047,852 A 4/2000 Evans et al. 220/793
6,079,588 A 6/2000 Khafizov 220/711
6,089,397 A 7/2000 Van Melle 220/270
6,260,727 B1 7/2001 Durdon 220/254
D447,412 S 9/2001 Durdon D9/438
6,314,866 B1 11/2001 Melton 99/322
6,419,105 B1 7/2002 Bruce et al. 220/266

(Continued)

(56) **References Cited**
U.S. PATENT DOCUMENTS

3,868,043 A 2/1975 Freemyer 220/90.4
3,994,411 A 11/1976 Elfelt et al. 220/90.4
4,083,467 A 4/1978 Mullins et al. 220/90.4
4,202,459 A 5/1980 DeParales et al. 220/90.4
4,322,015 A 3/1982 Bailey 220/90.2
D274,502 S 7/1984 Little D9/438
4,473,167 A 9/1984 Bailey 220/90.4
4,503,992 A 3/1985 Sitko et al. 220/90.4
D279,850 S 7/1985 Brooker et al. D7/3
4,574,970 A 3/1986 Schwarz 220/90.4
4,589,569 A 5/1986 Clements 220/380
4,619,372 A 10/1986 McFarland 220/90.4
4,629,088 A 12/1986 Durgin 220/254
D287,919 S 1/1987 Clements D7/40
4,738,373 A 4/1988 DeParales 220/254
4,741,450 A 5/1988 Braude 220/90.4
4,760,934 A 8/1988 Netsch 220/269
D299,010 S 12/1988 Wall D9/454
4,978,024 A 12/1990 Newman et al. 220/90.4
4,986,437 A 1/1991 Farmer 220/90.2

Primary Examiner—Robert M. Spear
Assistant Examiner—Susan Bennett Hattan
(74) *Attorney, Agent, or Firm*—Woodcock Washburn LLP

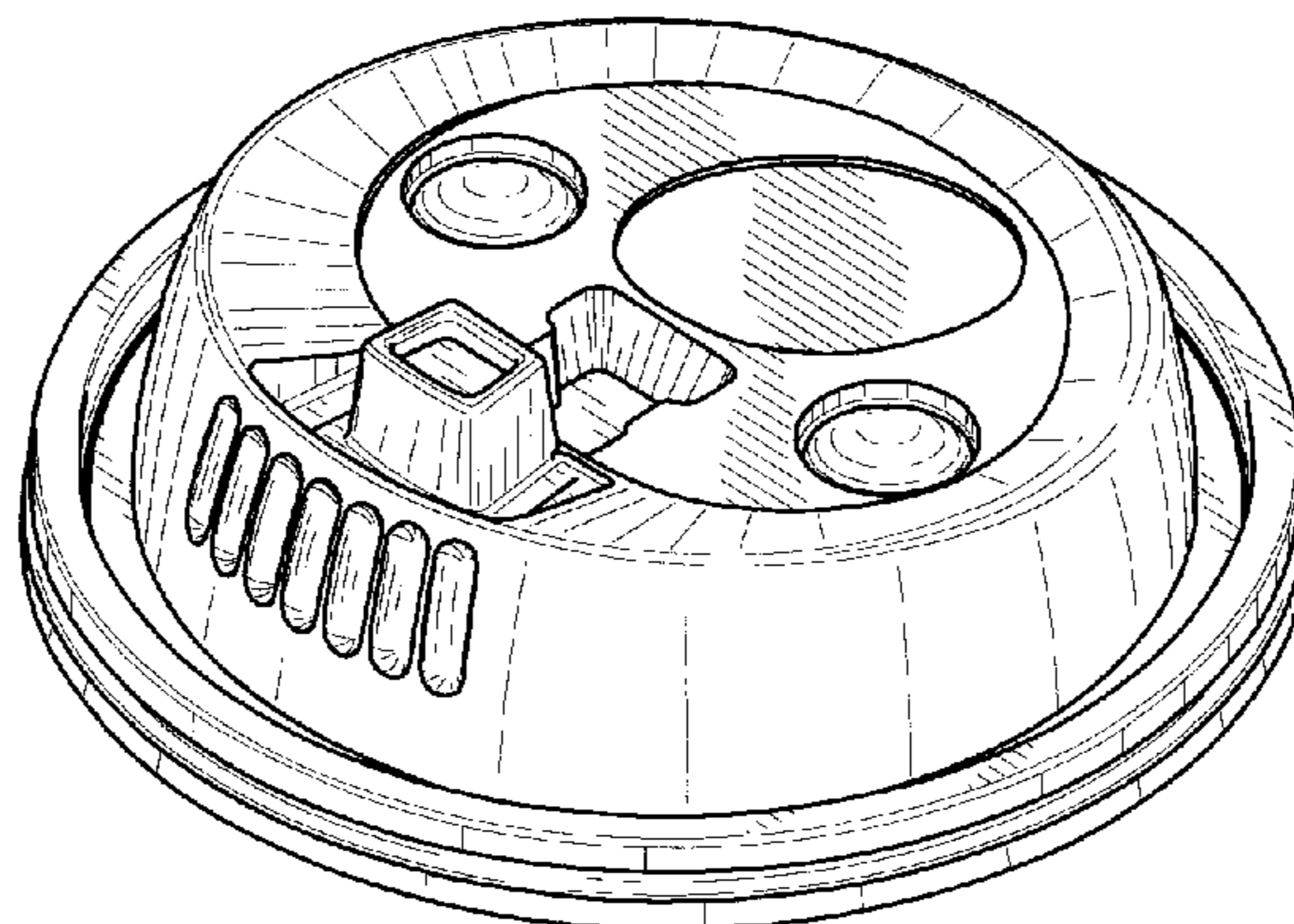
(57) **CLAIM**

We claim an ornamental design for a contoured profile domed lid, as shown.

DESCRIPTION

The subject matter disclosed and claimed herein is related to the subject matter disclosed in U.S. patent application Ser. No. 11/402,514.
FIG. 1 is a top perspective view of a contoured profile domed lid showing our new design;
FIG. 2 is a top plan view thereof;
FIG. 3 is a side elevational view thereof;
FIG. 4 is a front elevational view thereof; and,
FIG. 5 is a rear elevational view thereof.

1 Claim, 3 Drawing Sheets



US D533,777 S

Page 2

U.S. PATENT DOCUMENTS

6,419,112 B1	7/2002	Bruce et al.	220/781	D516,424 S *	3/2006	Schweigert et al.	D9/447
6,464,099 B1	10/2002	Portman et al.	220/712	7,063,224 B1 *	6/2006	Clarke et al.	220/254.3
6,505,753 B1	1/2003	Freek et al.	220/711	2002/0020708 A1	2/2002	Weiss et al.	220/366.1
6,578,726 B1	6/2003	Schaefer	220/253	2002/0100757 A1	8/2002	Shih	220/270
D476,891 S	7/2003	Clarke et al.	D9/447	2002/0170912 A1	11/2002	Clarke	220/254.1
6,612,456 B1	9/2003	Hundley et al.	220/254.3	2003/0024930 A1	2/2003	Smith et al.	220/254.1
6,644,490 B1	11/2003	Clarke	220/254.1	2003/0052127 A1	3/2003	Mazzarolo	220/254.3
D485,758 S	1/2004	Clarke et al.	D9/447	2003/0089714 A1	5/2003	Dart et al.	220/254.3
6,679,397 B1	1/2004	Smith et al.	220/254.1	2003/0089726 A1	5/2003	Mazzarolo	220/712
6,702,145 B1	3/2004	Malcolm	220/713	2003/0116568 A1	6/2003	Clarke et al.	220/254.3
D489,260 S	5/2004	Smith et al.	D9/447	2003/0178426 A1	9/2003	Freek et al.	220/254.3
6,732,875 B1 *	5/2004	Smith et al.	220/253	2003/0192890 A1	10/2003	Mazzarolo	220/254.3
D493,718 S	8/2004	Durdon	D9/435	2004/0118847 A1	6/2004	Giraud	220/254.3
D514,444 S *	2/2006	Smith et al.	D9/447	2004/0195239 A1	10/2004	Rush et al.	220/254.3

* cited by examiner

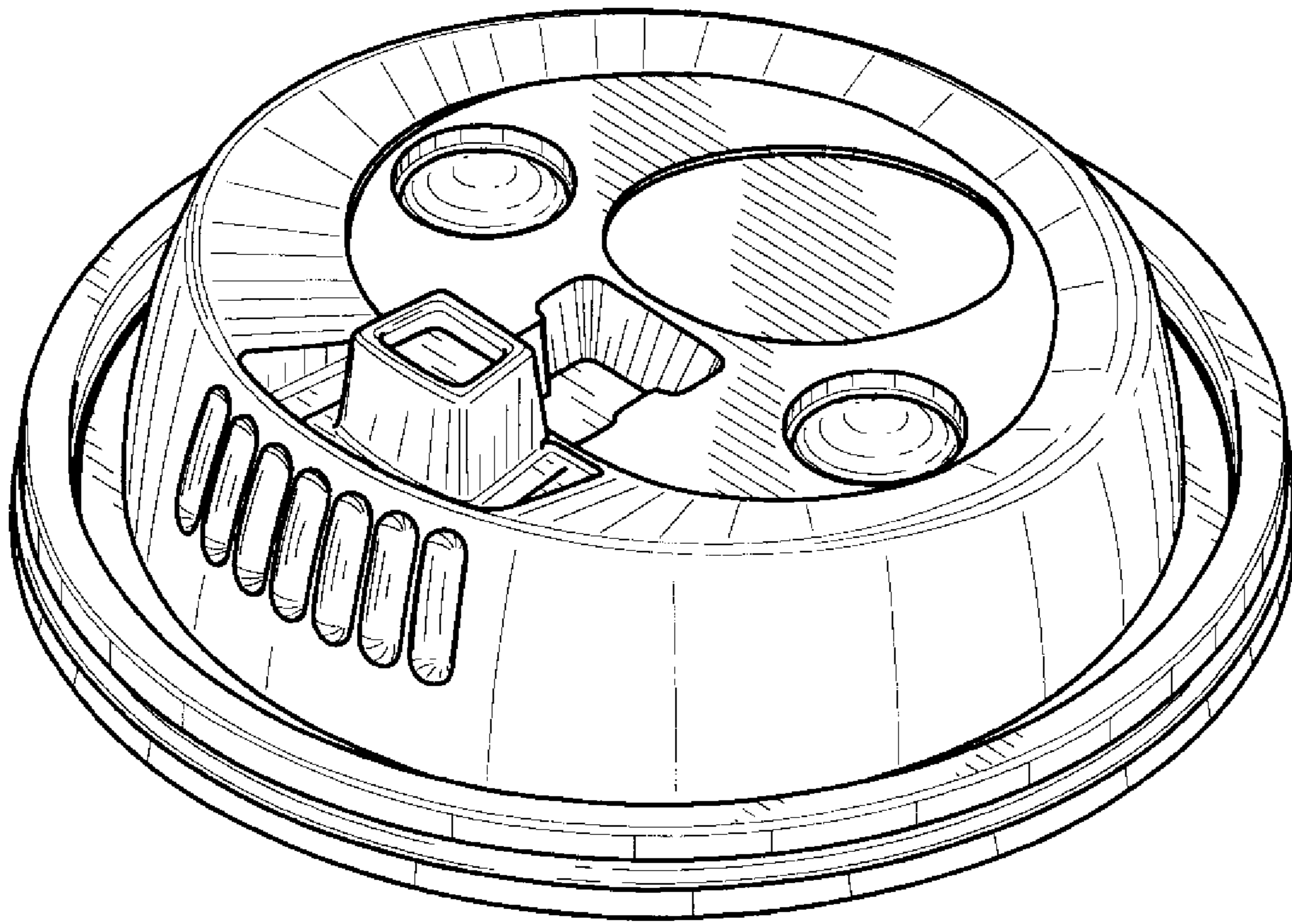


FIG. 1

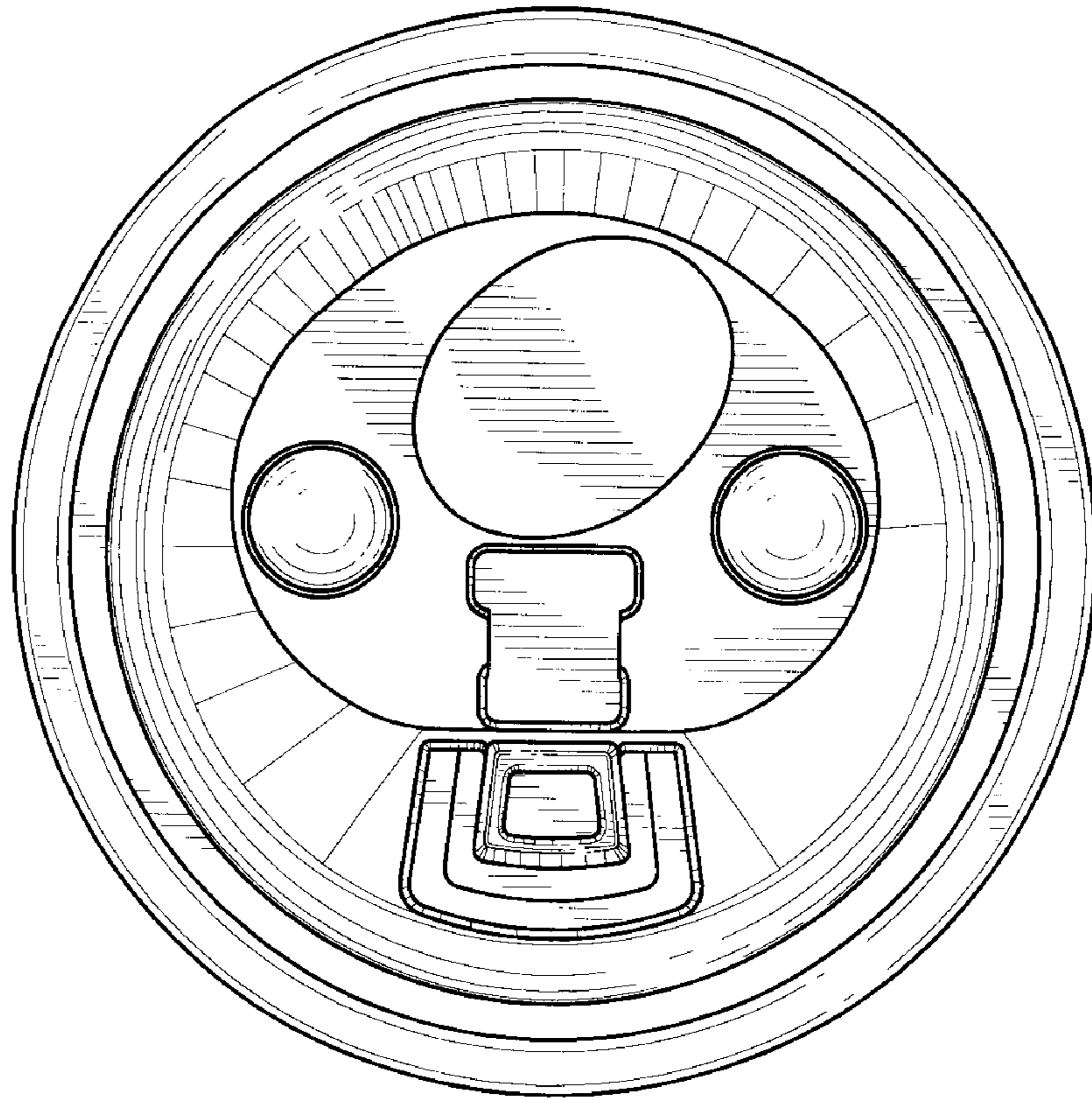


FIG. 2

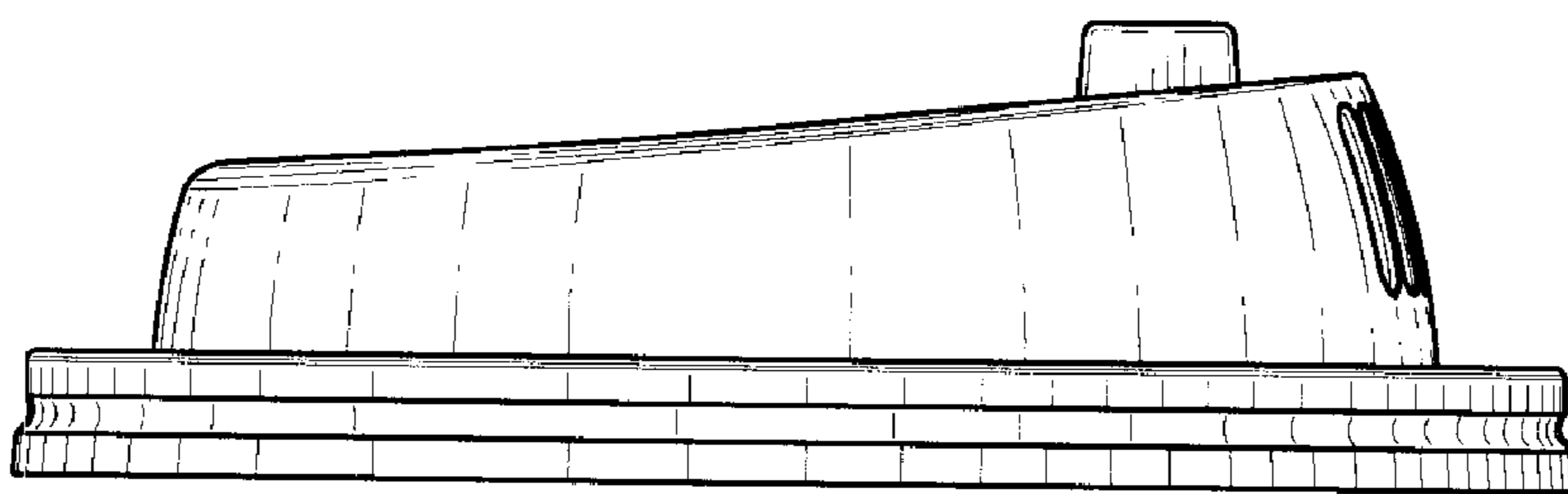


FIG. 3

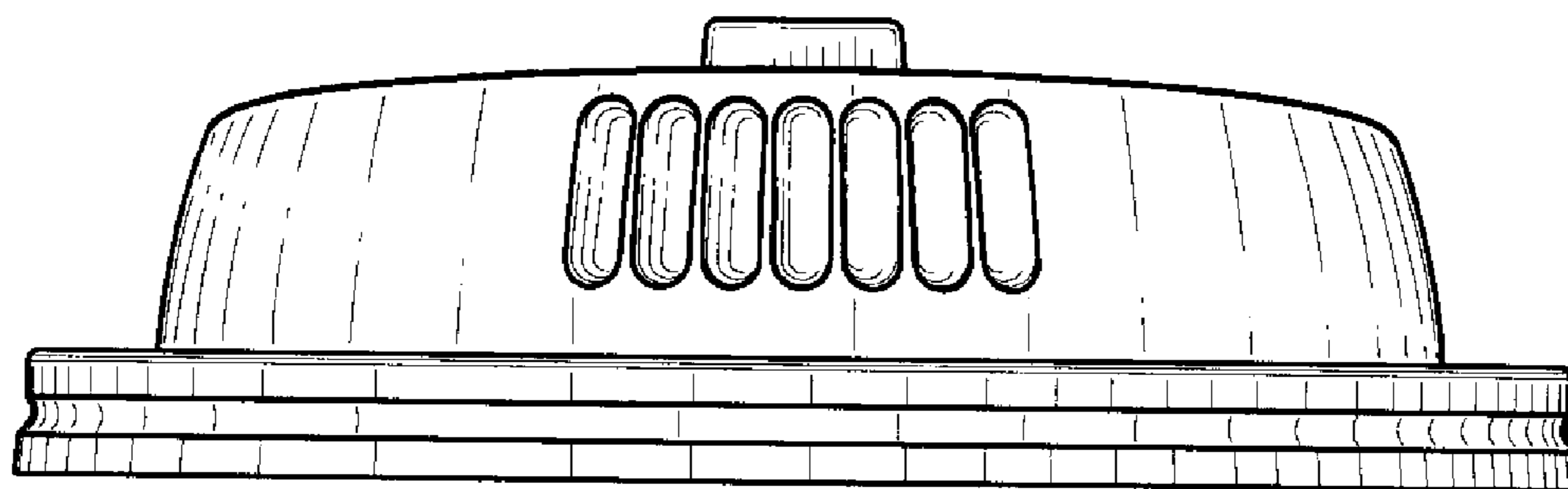


FIG. 4

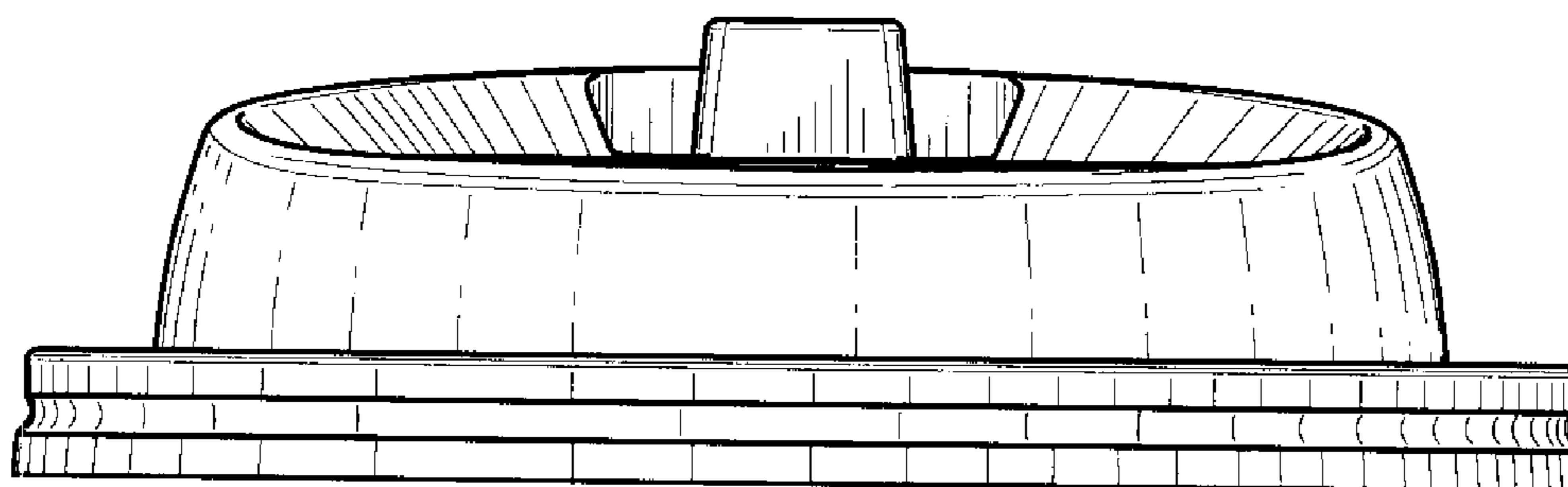


FIG. 5