



US00D533776S

(12) **United States Design Patent**
Allen et al.

(10) **Patent No.:** **US D533,776 S**

(45) **Date of Patent:** **** Dec. 19, 2006**

(54) **DISPENSER**

(75) Inventors: **Scott Allen**, Crows Nest (AU); **Sam Tam**, Crows Nest (AU); **Ken Bonham**, Crows Nest (AU); **Michael Squires**, Crows Nest (AU)

(73) Assignee: **Howard Silvers & Sons Pty Limited**, Ultimo (AU)

(**) Term: **14 Years**

(21) Appl. No.: **29/214,432**

(22) Filed: **Oct. 1, 2004**

(30) **Foreign Application Priority Data**

Apr. 1, 2004 (AU) 1268/04

(51) **LOC (8) Cl.** **09-07**

(52) **U.S. Cl.** **D9/440; D7/397**

(58) **Field of Classification Search** D9/453, D9/452, 449, 447, 443, 440, 439, 435; D7/415, D7/398, 397, 312, 387; 401/90; 251/353; 239/337; 222/557, 556, 548, 402, 402.21, 222/402.13

See application file for complete search history.

(56) **References Cited**

U.S. PATENT DOCUMENTS

D56,108 S * 8/1920 Rustant D9/439

D217,330 S * 4/1970 Conry D9/440
D229,826 S * 1/1974 Raptis D9/440
D418,417 S * 1/2000 Hollinger D9/440
2006/0000855 A1 * 1/2006 Allen et al. 222/484

* cited by examiner

Primary Examiner—Robert M. Spear

Assistant Examiner—Susan Bennett Hattan

(74) *Attorney, Agent, or Firm*—Abelman, Frayne & Schwab

(57) **CLAIM**

The ornamental design for a dispenser, as shown and described.

DESCRIPTION

FIG. 1 is a bottom front right side perspective view of a dispenser showing our new design;

FIG. 2 is a top front left side perspective view thereof;

FIG. 3 is a left side elevational view thereof;

FIG. 4 is a rear elevational view thereof;

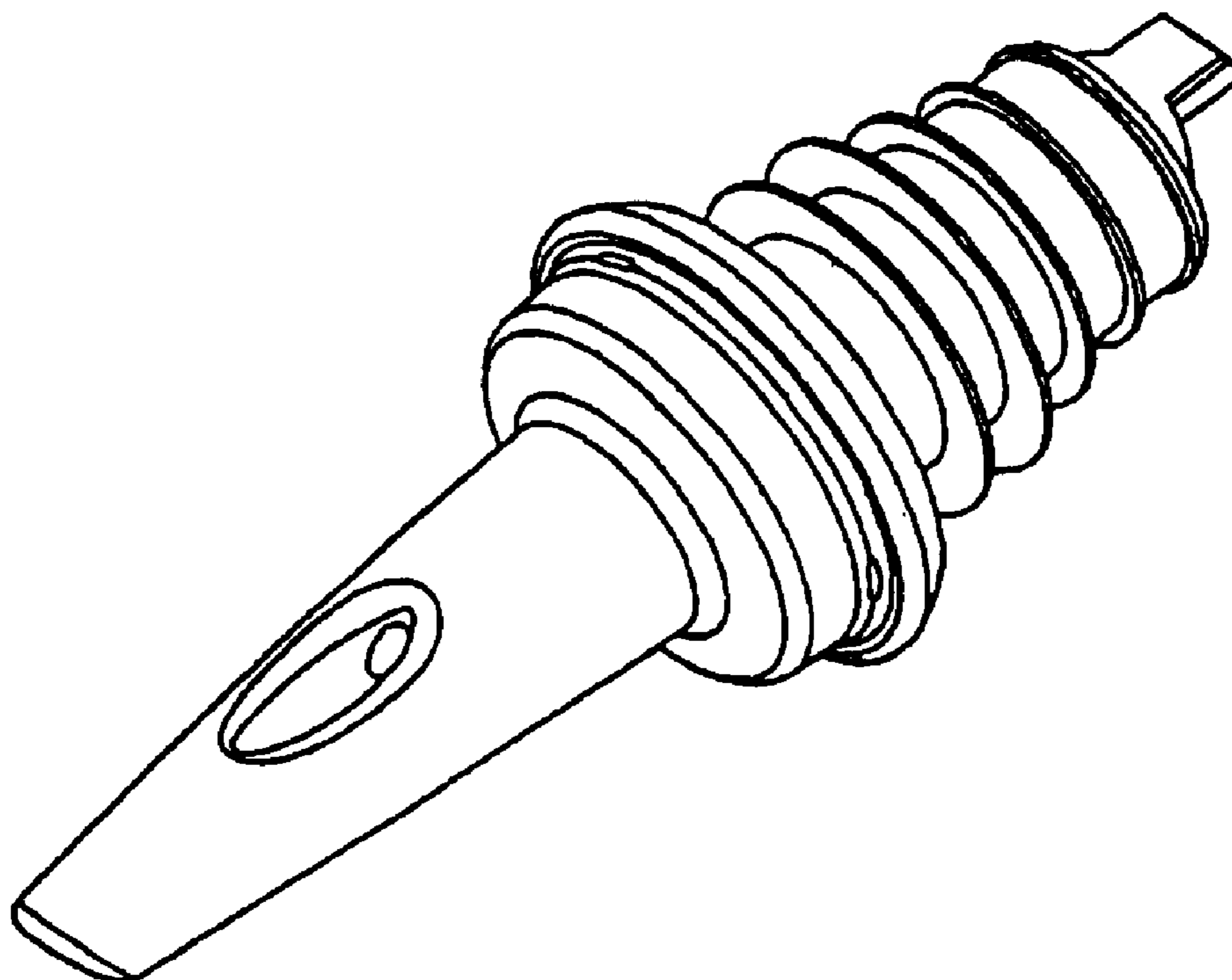
FIG. 5 is a right side elevational view thereof;

FIG. 6 is a front elevational view thereof;

FIG. 7 is a top plan view thereof; and,

FIG. 8 is a bottom plan view thereof.

1 Claim, 4 Drawing Sheets



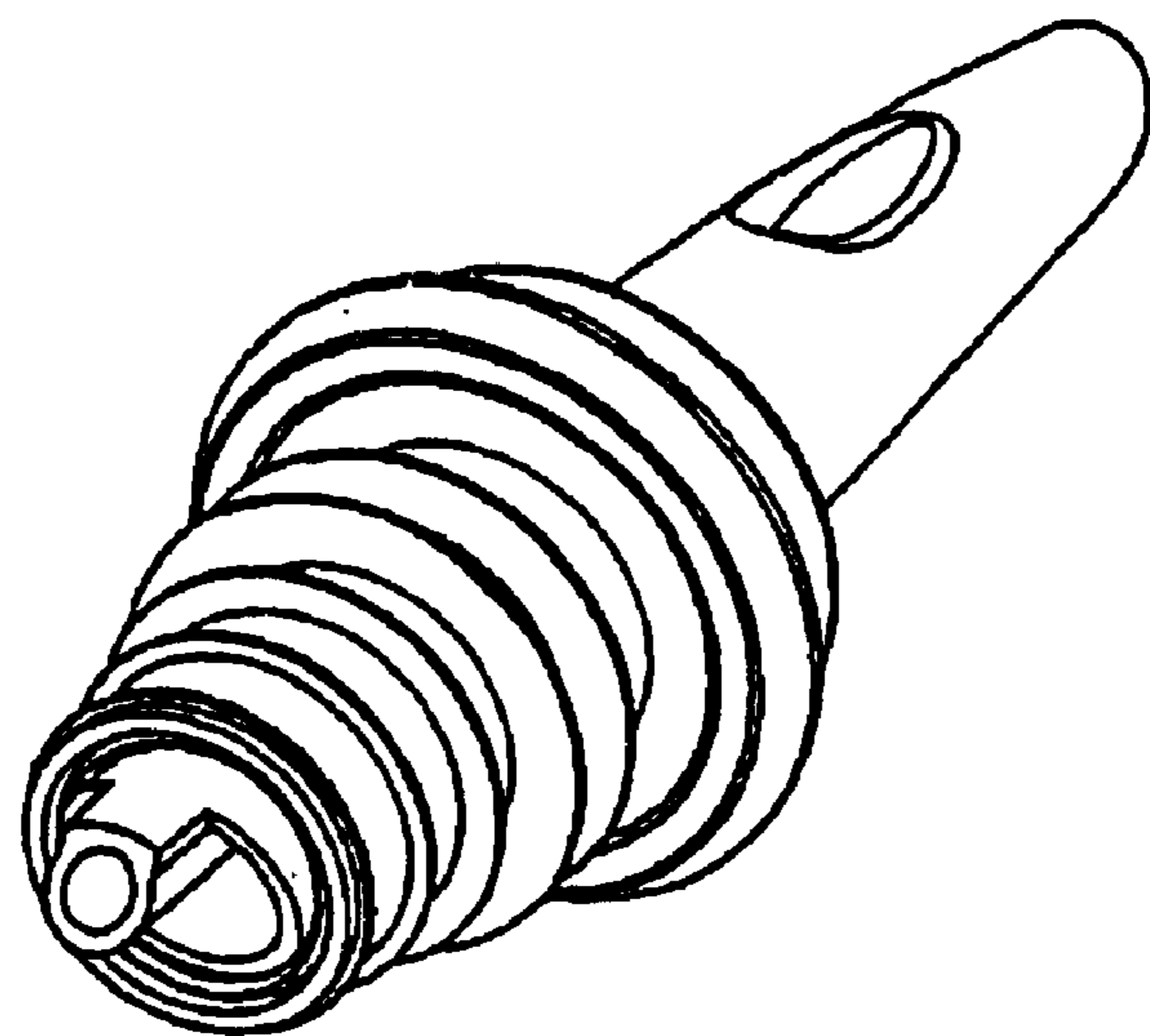


FIG 1

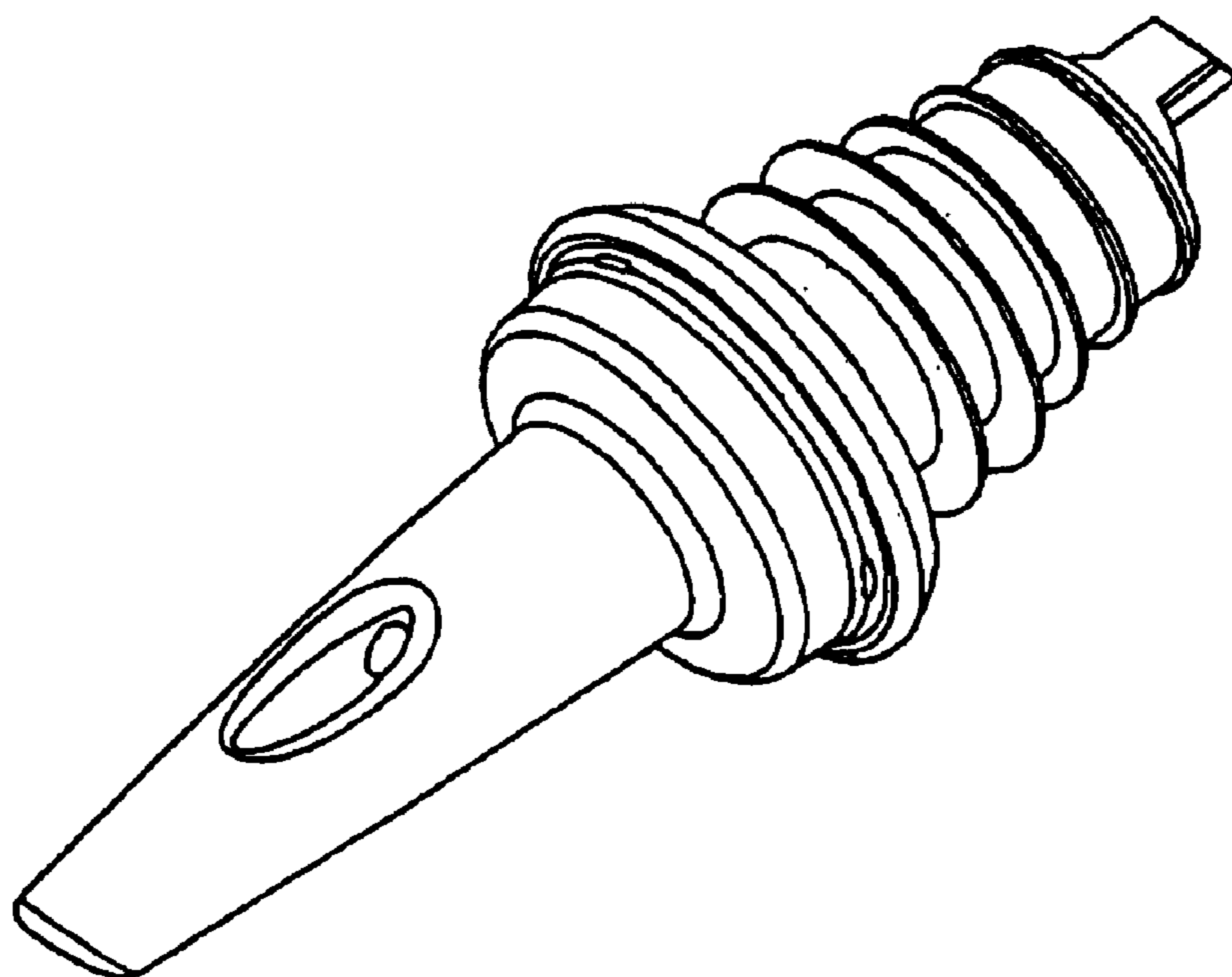


FIG 2

FIG 4

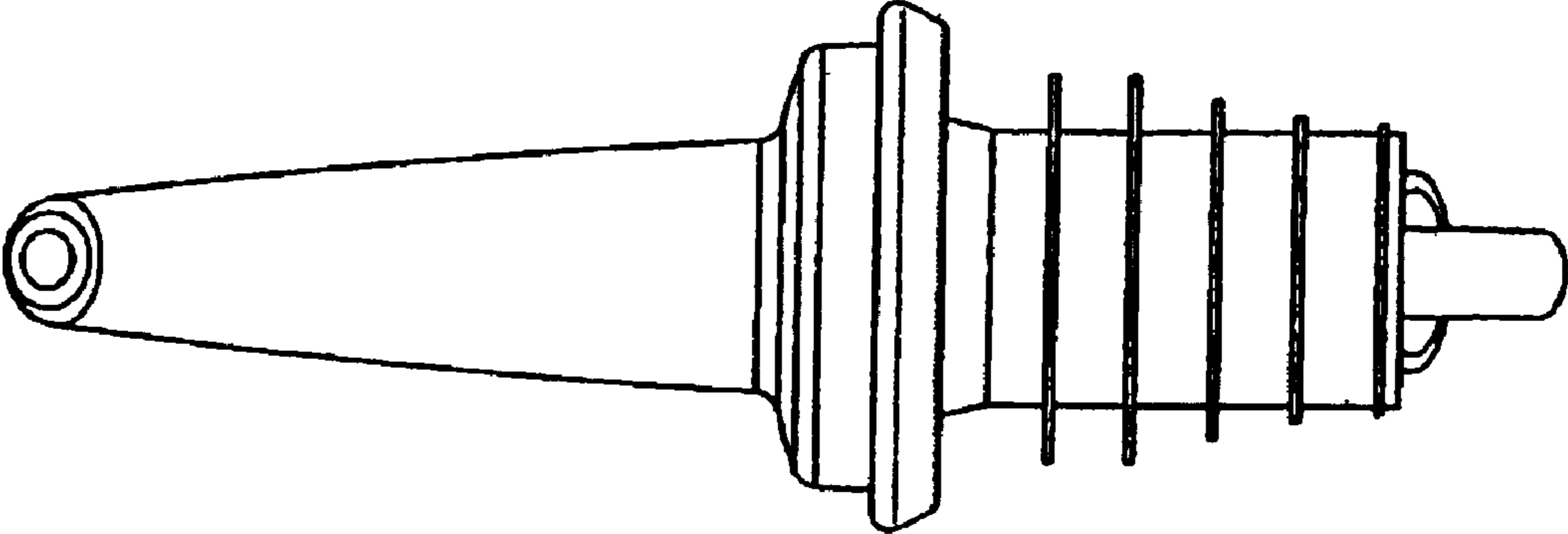


FIG 3

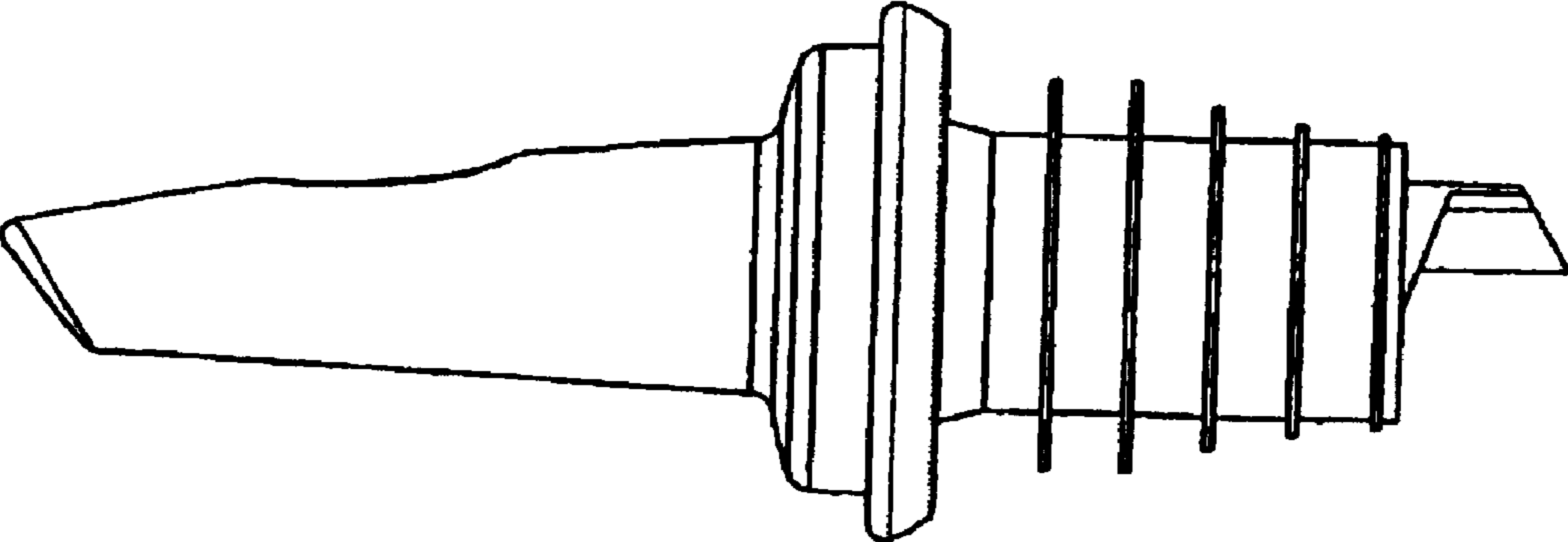


FIG 6

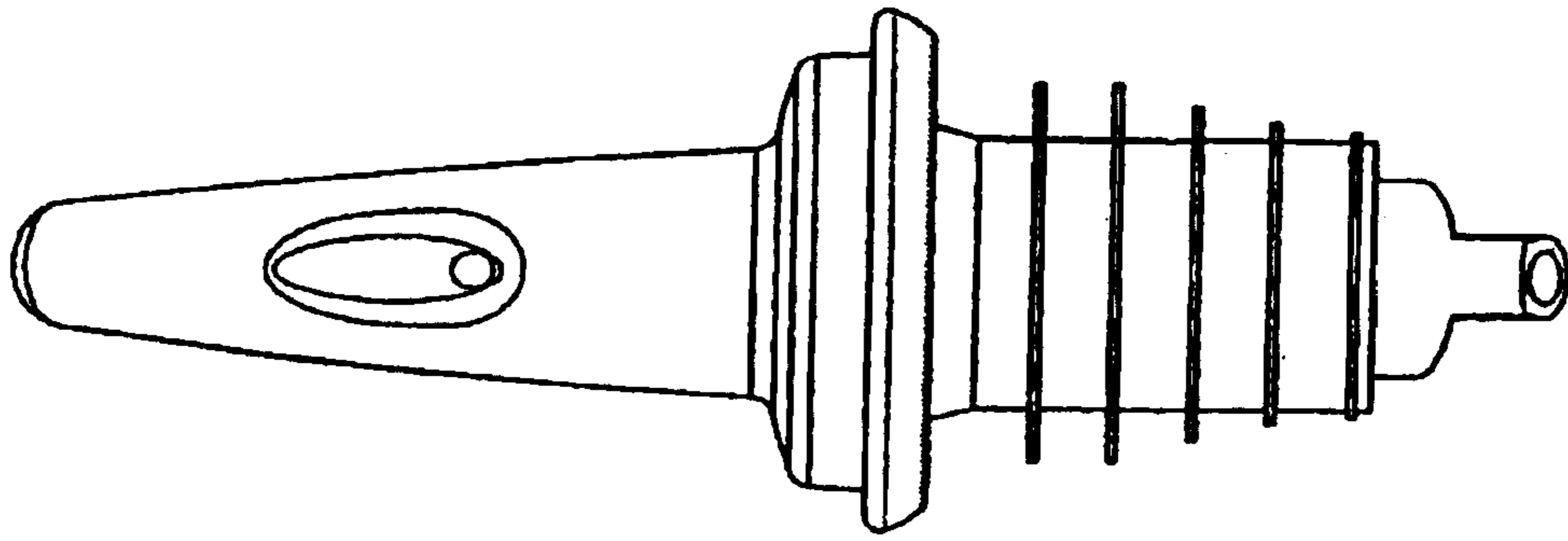
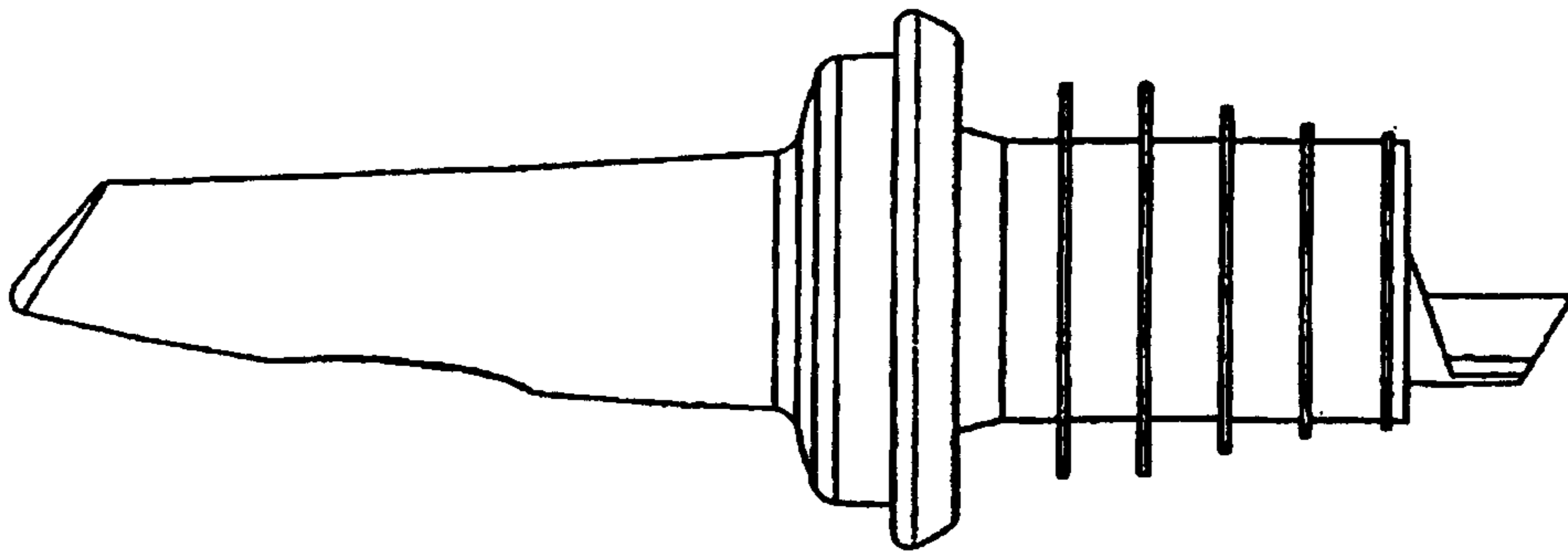


FIG 5



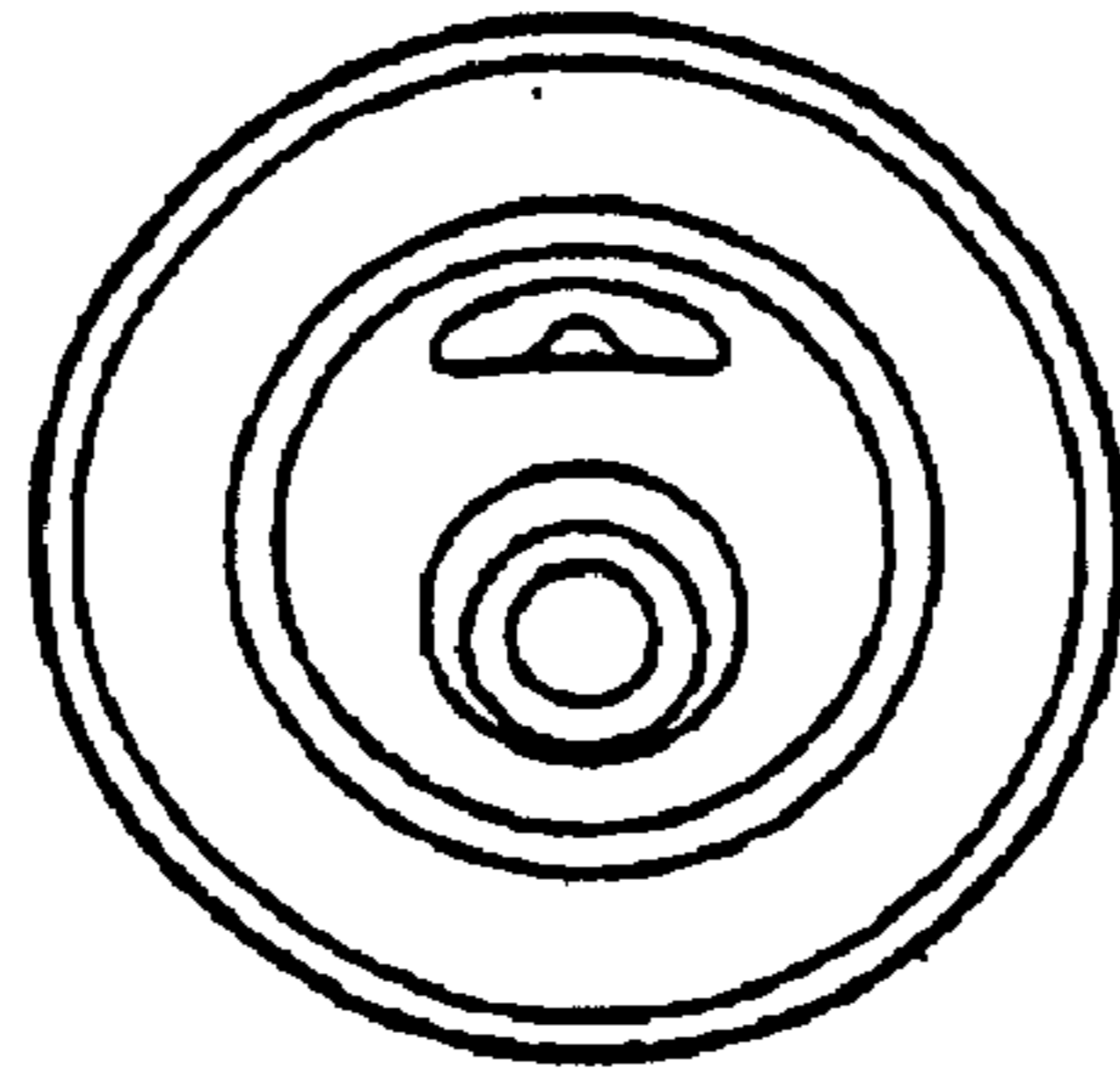


FIG 7

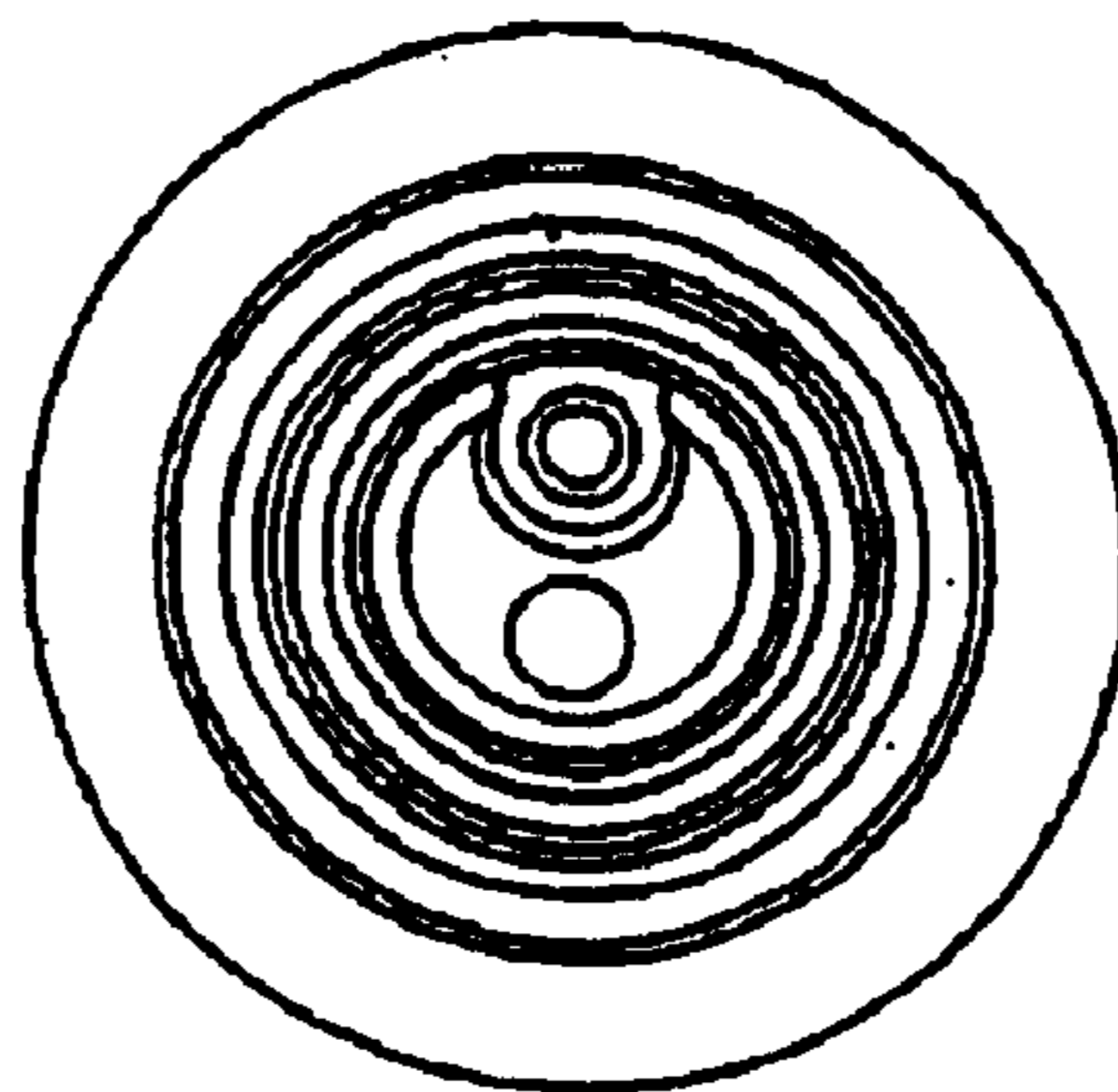


FIG 8