



US00D533773S

(12) **United States Design Patent**
Sander

(10) **Patent No.:** **US D533,773 S**
(45) **Date of Patent:** **** Dec. 19, 2006**

- (54) **PACKAGING FOR A TOY**
- (75) Inventor: **Garrett R. Sander**, Los Angeles, CA (US)
- (73) Assignee: **Mattel, Inc.**, El Segundo, CA (US)
- (**) Term: **14 Years**
- (21) Appl. No.: **29/239,179**
- (22) Filed: **Sep. 26, 2005**
- (51) **LOC (8) Cl.** **09-03**
- (52) **U.S. Cl.** **D9/418; D9/415**
- (58) **Field of Classification Search** D9/418, D9/337, 415, 421, 424, 425, 428-430; D3/203.4; D7/596; 206/372, 378, 461-465
See application file for complete search history.

EP	936682	8/1999
EP	1017111	7/2000
EP	1017112	7/2000
EP	1271664	1/2003
JP	0060133427	7/1985
JP	0062094826	5/1987
JP	07-134290	5/1995
JP	10107325	4/1998
JP	10154830	6/1998
JP	10190065	7/1998
JP	2927279	5/1999
JP	2000123620	4/2000
JP	2003101081	4/2003
JP	2002358812	12/2003
WO	8808149	10/1988
WO	9501583	1/1995
WO	9805078	2/1998
WO	9927414	6/1999
WO	04090579	10/2004

Primary Examiner—Stella Reid
Assistant Examiner—Derrick Holland
 (74) *Attorney, Agent, or Firm*—Kolisch Hartwell, P.C.

(56) **References Cited**

U.S. PATENT DOCUMENTS

2,493,200	A	1/1950	Land	
3,085,679	A *	4/1963	Burrell	206/534
3,569,614	A	3/1971	Hanlon	
3,840,695	A	10/1974	Fischer	
4,222,641	A	9/1980	Stolov	
4,294,524	A	10/1981	Stolov	
D261,988	S *	11/1981	Nichols et al.	D9/415
4,396,251	A	8/1983	Mukoh et al.	
4,470,666	A	9/1984	Eick	
4,600,274	A	7/1986	Morozumi	
4,610,509	A	9/1986	Sorimachi	
4,653,862	A	3/1987	Morozumi	
4,673,253	A	6/1987	Tanabe et al.	
4,757,626	A	7/1988	Weinreich	
D328,703	S *	8/1992	Klumpyan	D3/203.4
D341,777	S *	11/1993	Sheu	D9/415
5,359,345	A	10/1994	Hunter	
D370,626	S *	6/1996	Pass et al.	D9/415

(Continued)

FOREIGN PATENT DOCUMENTS

EP	00024991	6/1987
EP	000440495	2/1991

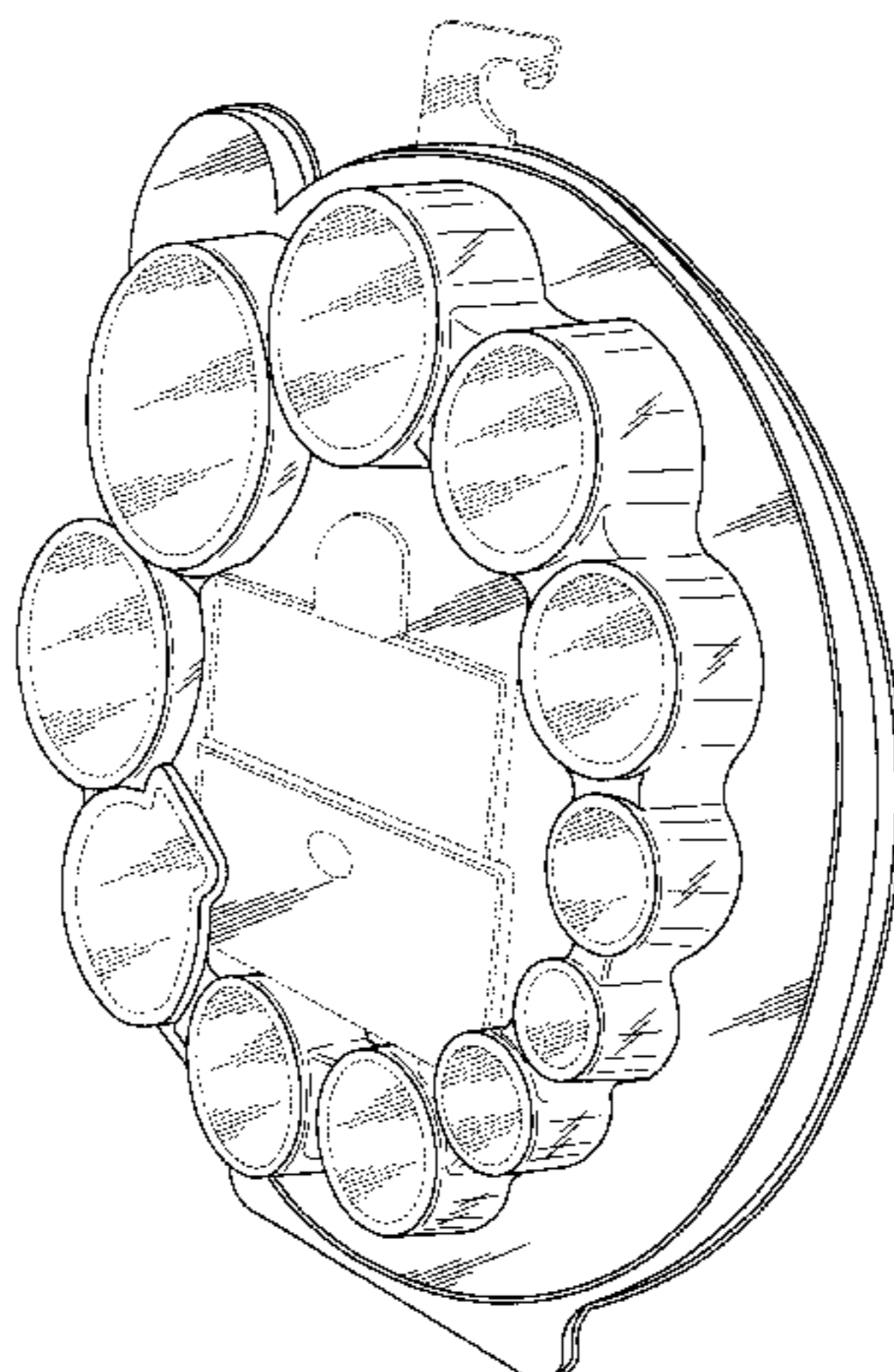
(57) **CLAIM**

I claim the ornamental design for a packaging for a toy, as shown and described.

DESCRIPTION

FIG. 1 is a front perspective view of a packaging for a toy, showing my new design.
 FIG. 2 is a front view of the packaging for a toy of FIG. 1.
 FIG. 3 is a rear view of the packaging for a toy of FIG. 1.
 FIG. 4 is a left side view of the packaging for a toy of FIG. 1.
 FIG. 5 is a right side view of the packaging for a toy of FIG. 1.
 FIG. 6 is a top view of the packaging for a toy of FIG. 1; and, FIG. 7 is a bottom view of a packaging for a toy of FIG. 1.
 The broken lines shown in the drawings are for illustrative purposes only and form no part of the claimed design.
 The stippling and shading lines shown in the drawings represent the approximate three-dimensional contour of the design, and are not intended to indicate surface decoration.

1 Claim, 5 Drawing Sheets



U.S. PATENT DOCUMENTS

5,613,751 A	3/1997	Parker et al.	6,657,382 B1	12/2003	Nagai et al.
5,636,995 A	6/1997	Sharpe, III et al.	6,697,602 B1	2/2004	Ferrigno et al.
D384,579 S	* 10/1997	Lee D9/415	6,717,376 B1	4/2004	Lys et al.
D386,404 S	* 11/1997	Kirk et al. D3/203.4	6,778,231 B1	8/2004	Yamazaki et al.
5,811,209 A	9/1998	Eida et al.	6,781,649 B1	8/2004	Fujimoto et al.
5,919,532 A	7/1999	Sato et al.	6,800,996 B1	10/2004	Nagai et al.
5,948,577 A	9/1999	Nakazawa et al.	6,801,003 B1	10/2004	Schanberger et al.
5,967,898 A	10/1999	Takasaka et al.	6,807,012 B1	10/2004	Marco
5,998,925 A	12/1999	Shimizu et al.	6,820,991 B1	11/2004	Wakaki et al.
6,025,898 A	2/2000	Kashiwazaki et al.	2001/0001207 A1	5/2001	Shimizu et al.
6,043,857 A	3/2000	Kurauchi et al.	2002/0093476 A1	7/2002	Hill et al.
6,069,440 A	5/2000	Shimizu et al.	2002/0191130 A1	12/2002	Liang et al.
6,069,601 A	5/2000	Lind et al.	2002/0192576 A1	12/2002	Matsuoka et al.
6,078,372 A	6/2000	Kim	2003/0001992 A1	1/2003	Kawase et al.
6,163,352 A	12/2000	Ichikawa et al.	2003/0003378 A1	1/2003	Yamashita et al.
6,181,309 B1	1/2001	Mori et al.	2003/0030766 A1	2/2003	Kiguchi et al.
6,219,025 B1	4/2001	Hill et al.	2003/0038295 A1	2/2003	Koda
6,270,930 B1	8/2001	Okabe	2003/0076457 A1	4/2003	Sohn et al.
6,312,771 B1	11/2001	Kashiwazaki et al.	2003/0081157 A1	5/2003	Ono
6,411,359 B1	6/2002	Ichikawa et al.	2004/0000868 A1	1/2004	Shimizu et al.
6,519,015 B1	2/2003	Ono	2004/0004437 A1	1/2004	Shimizu et al.
6,533,852 B1	3/2003	Hirose	2004/0090180 A1	5/2004	Shimizu et al.
6,601,962 B1	8/2003	Ehara et al.	2004/0109108 A1	6/2004	Lee et al.
6,608,330 B1	8/2003	Yamada	2004/0197682 A1	10/2004	Sonehara et al.
6,608,332 B1	8/2003	Yamada et al.			

* cited by examiner

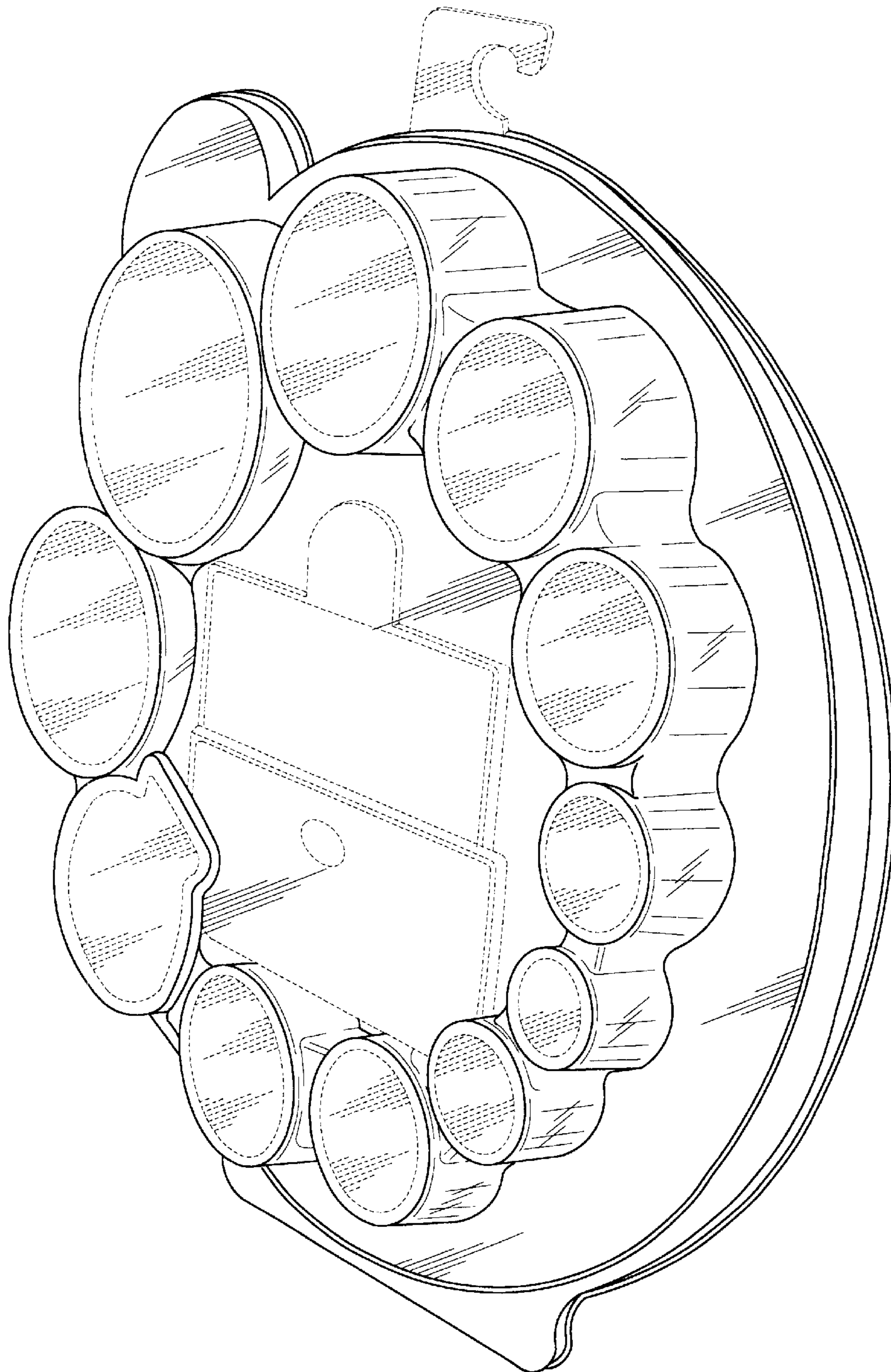


FIG. 1

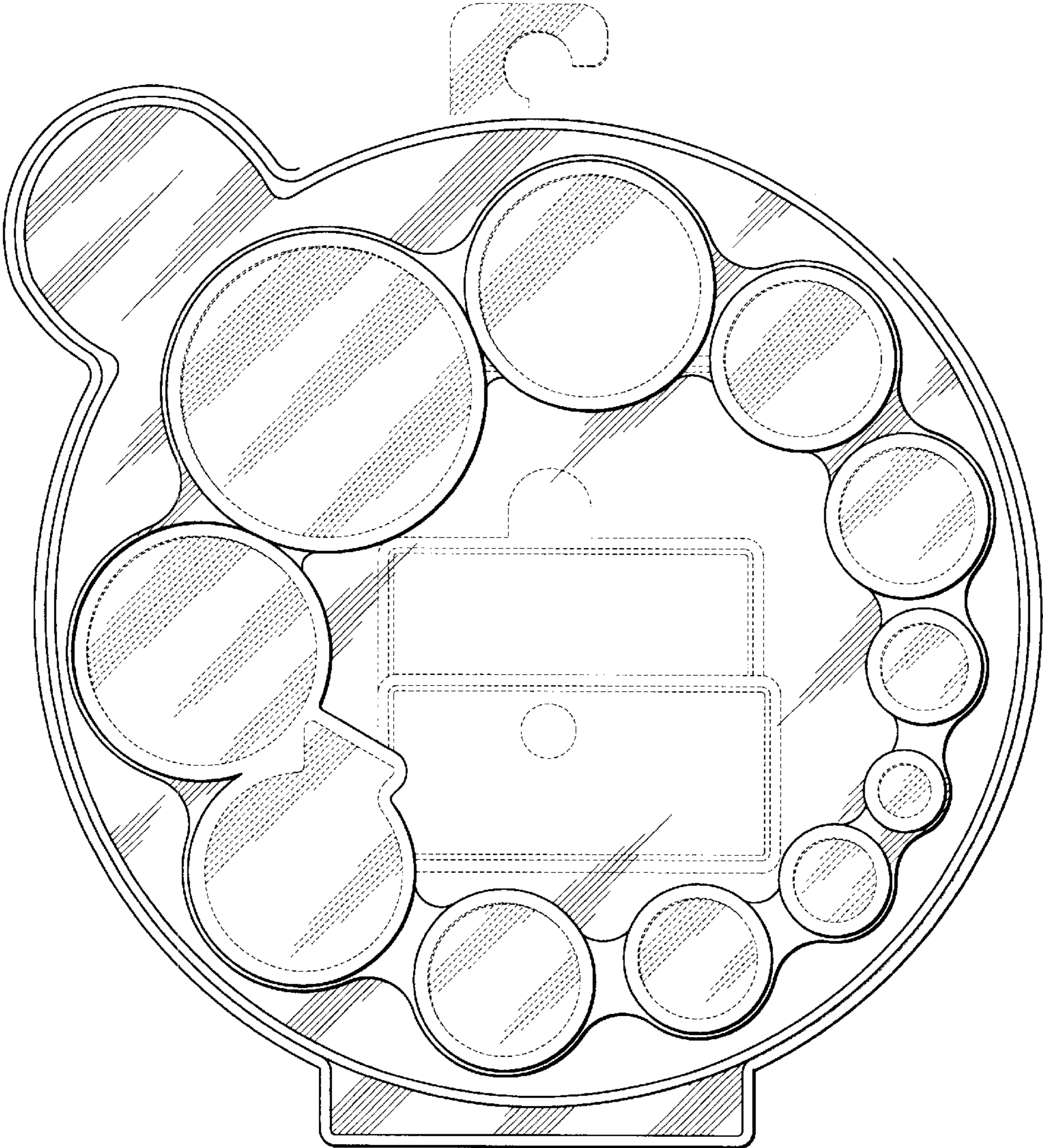


FIG. 2

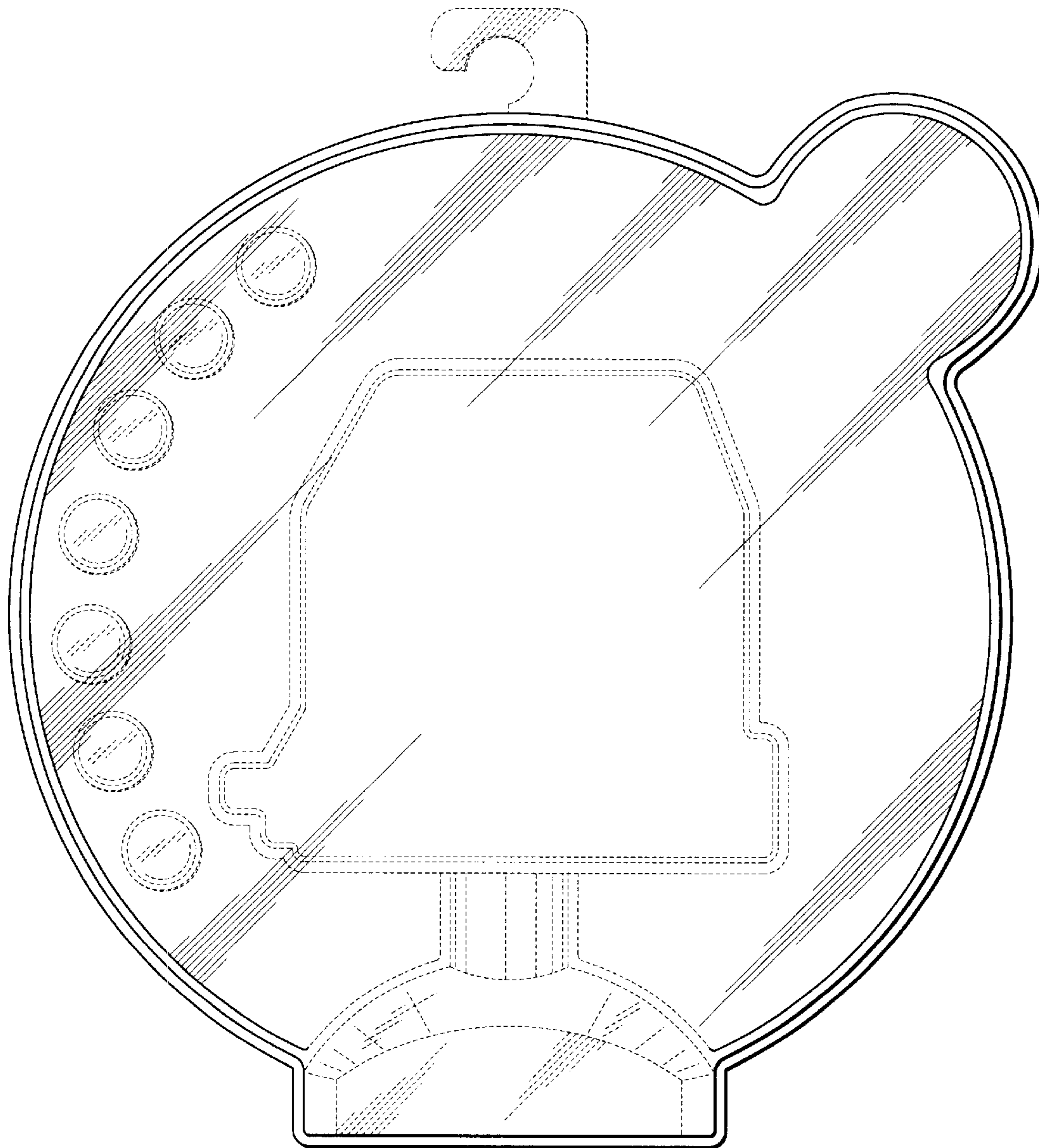


FIG. 3

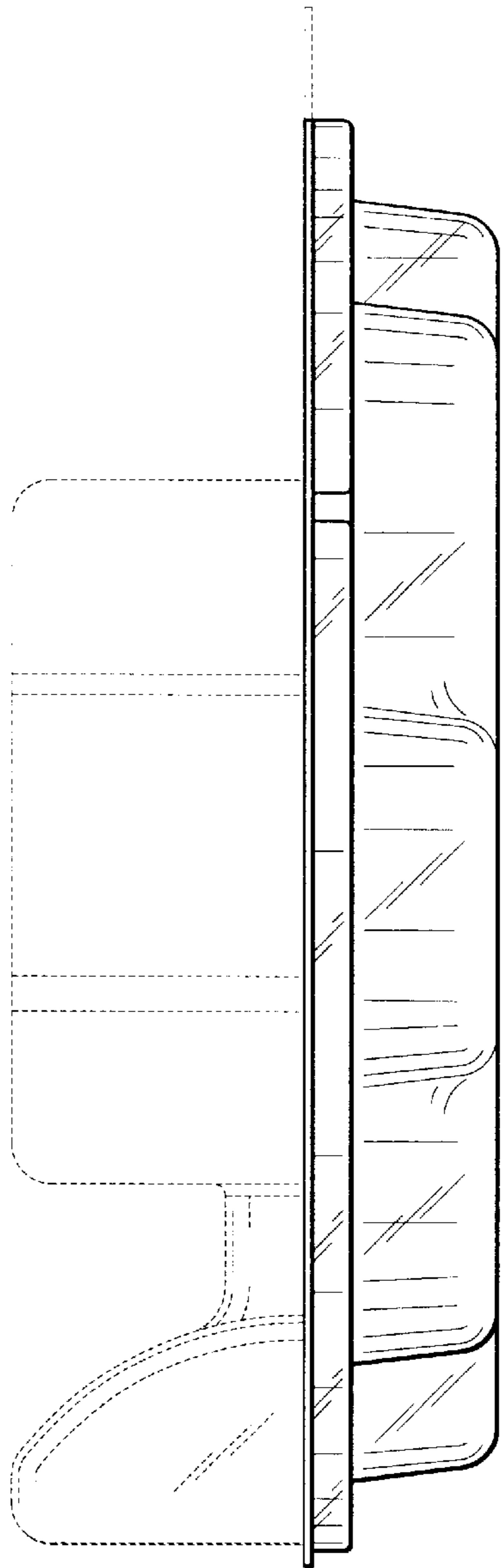


FIG. 4

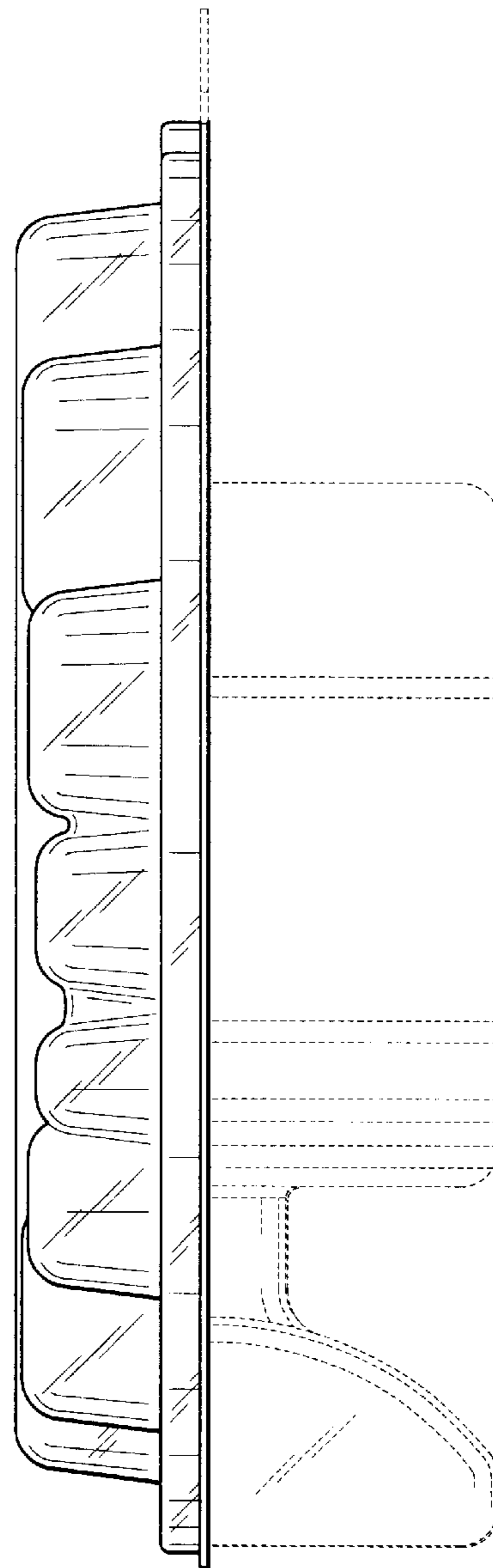


FIG. 5

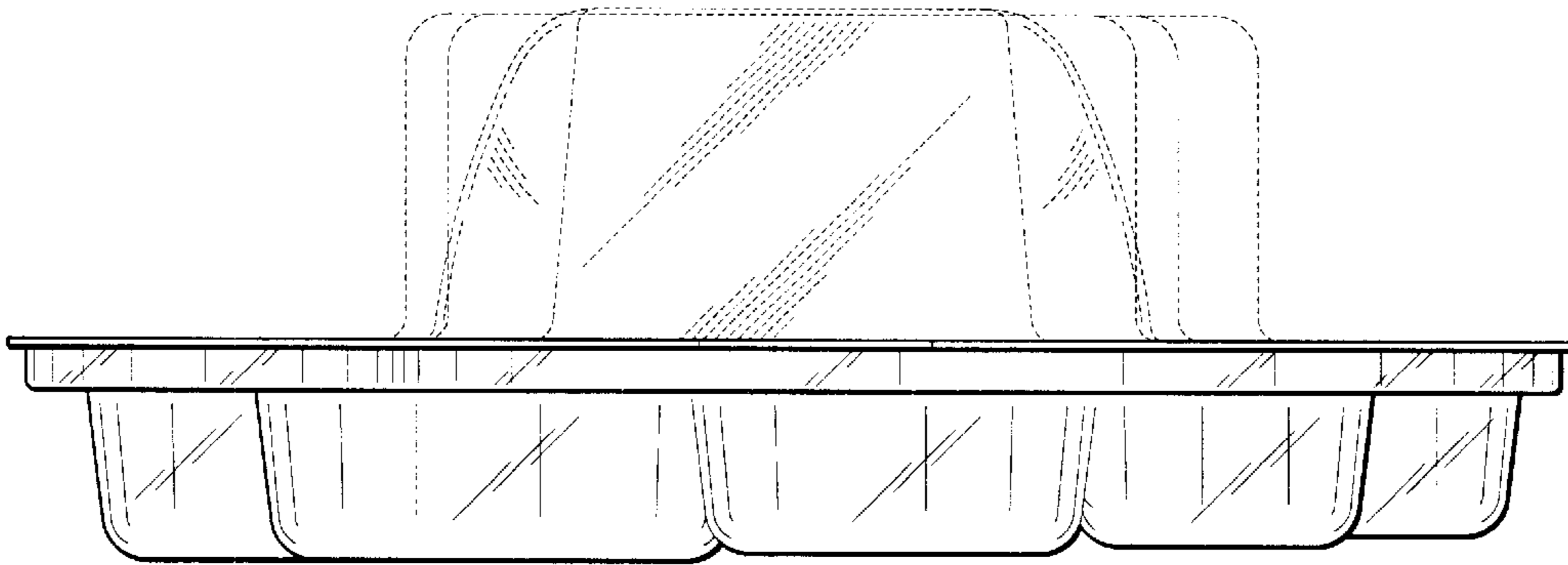


FIG. 6

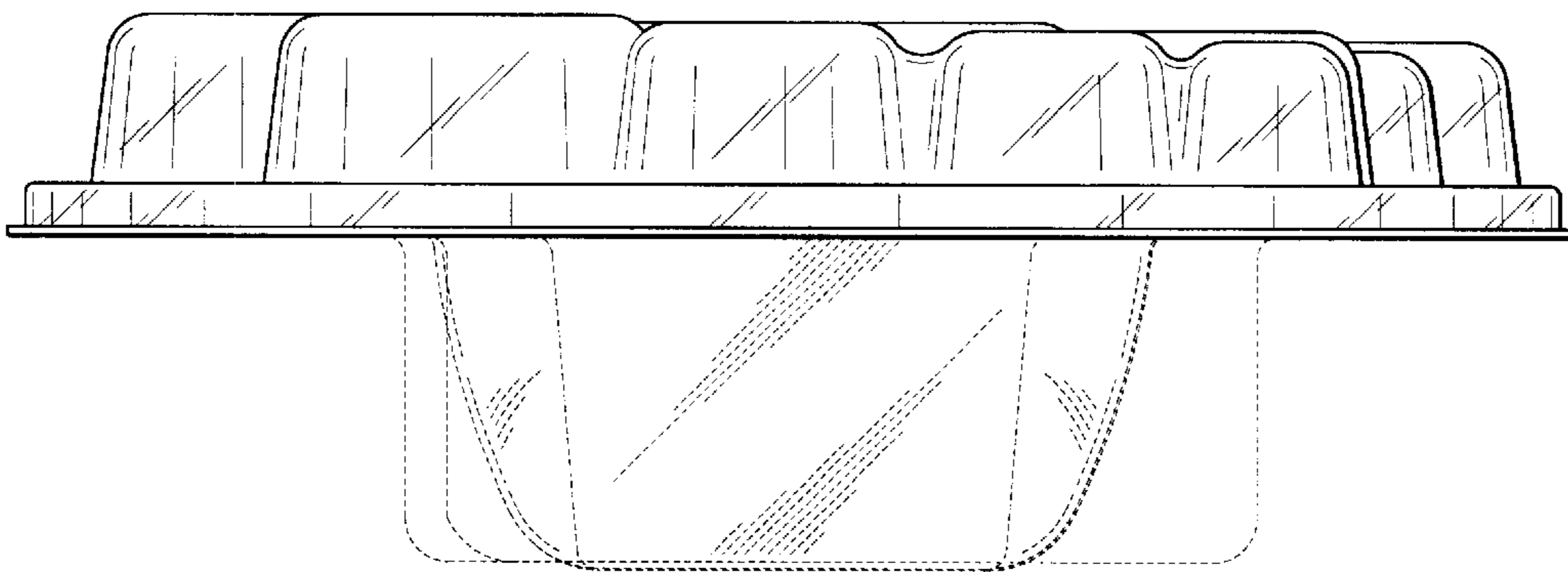


FIG. 7