



US00D533771S

(12) **United States Design Patent**
Glenn

(10) **Patent No.:** **US D533,771 S**

(45) **Date of Patent:** **** Dec. 19, 2006**

(54) **KITE REEL**

(76) **Inventor:** **Gary O. Glenn**, 1869 Denver West Dr.,
#1734, Denver, CO (US) 80401

(**) **Term:** **14 Years**

(21) **Appl. No.:** **29/214,866**

(22) **Filed:** **Oct. 12, 2004**

(51) **LOC (8) Cl.** **08-05**

(52) **U.S. Cl.** **D8/359**

(58) **Field of Classification Search** D8/358-359;
242/390.8, 395

See application file for complete search history.

(56) **References Cited**

U.S. PATENT DOCUMENTS

2,896,878	A	*	7/1959	Wetzel	242/396.9
4,106,719	A	*	8/1978	Haverland	242/396.6
4,238,086	A		12/1980	Brimmeier		
4,717,086	A	*	1/1988	Crow	242/486.9

4,762,286 A * 8/1988 Crow 242/486.9

4,796,827 A * 1/1989 Munt et al. 242/388.6

4,915,320 A * 4/1990 Neal 242/390.8

6,402,075 B1 * 6/2002 Grimes 242/395

6,517,022 B1 * 2/2003 Bailey 242/388.1

* cited by examiner

Primary Examiner—Holly H. Baynham

(57) **CLAIM**

The ornamental design for a kite reel, as shown and described.

DESCRIPTION

FIG. 1 is a front elevation view of my invention showing my new design;

FIG. 2 is a left side elevation view;

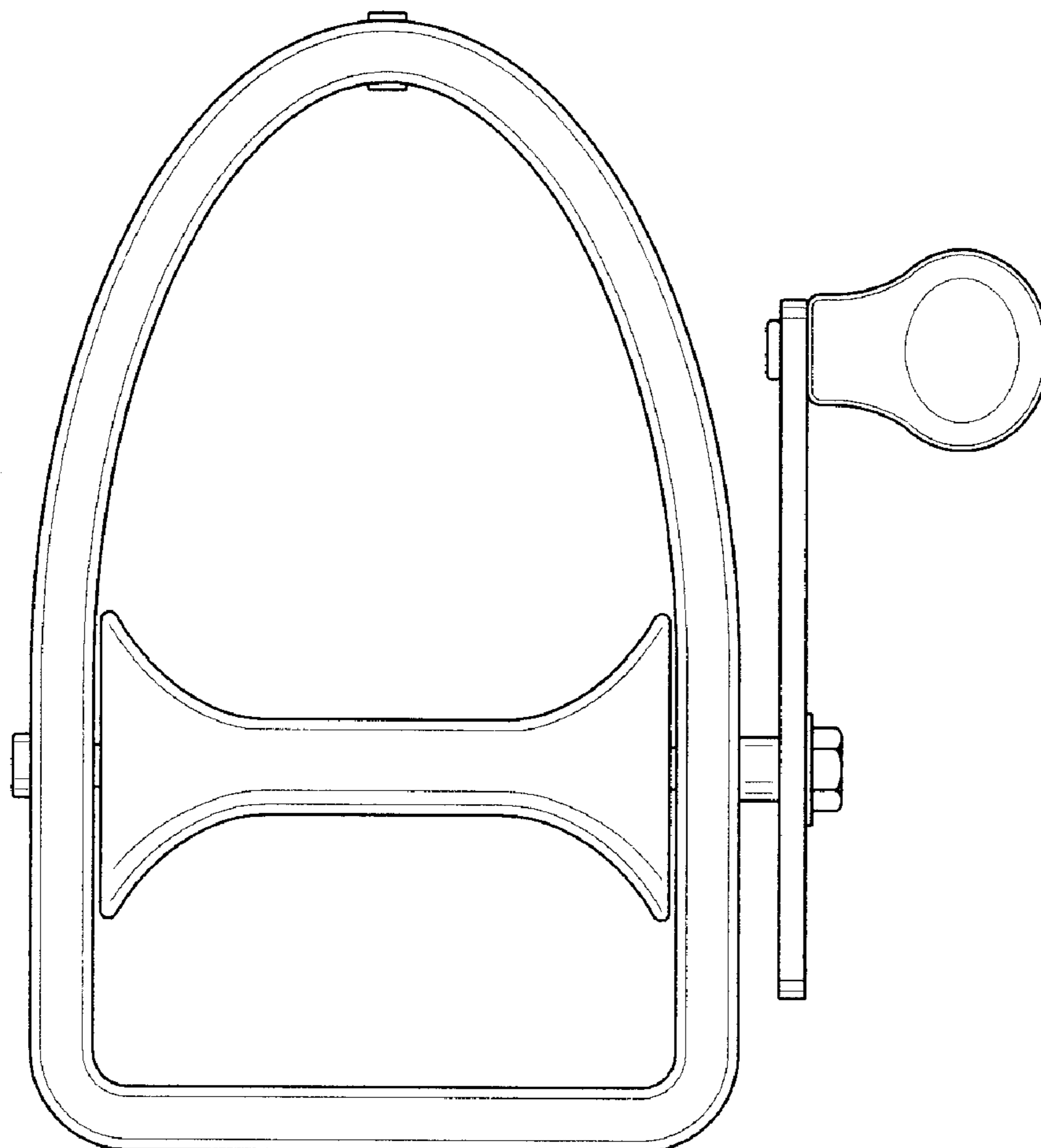
FIG. 3 is a right side elevation view;

FIG. 4 is a top view;

FIG. 5 is a bottom view of FIG. 1; and,

FIG. 6 is a right side isometric view of FIG. 1.

1 Claim, 5 Drawing Sheets



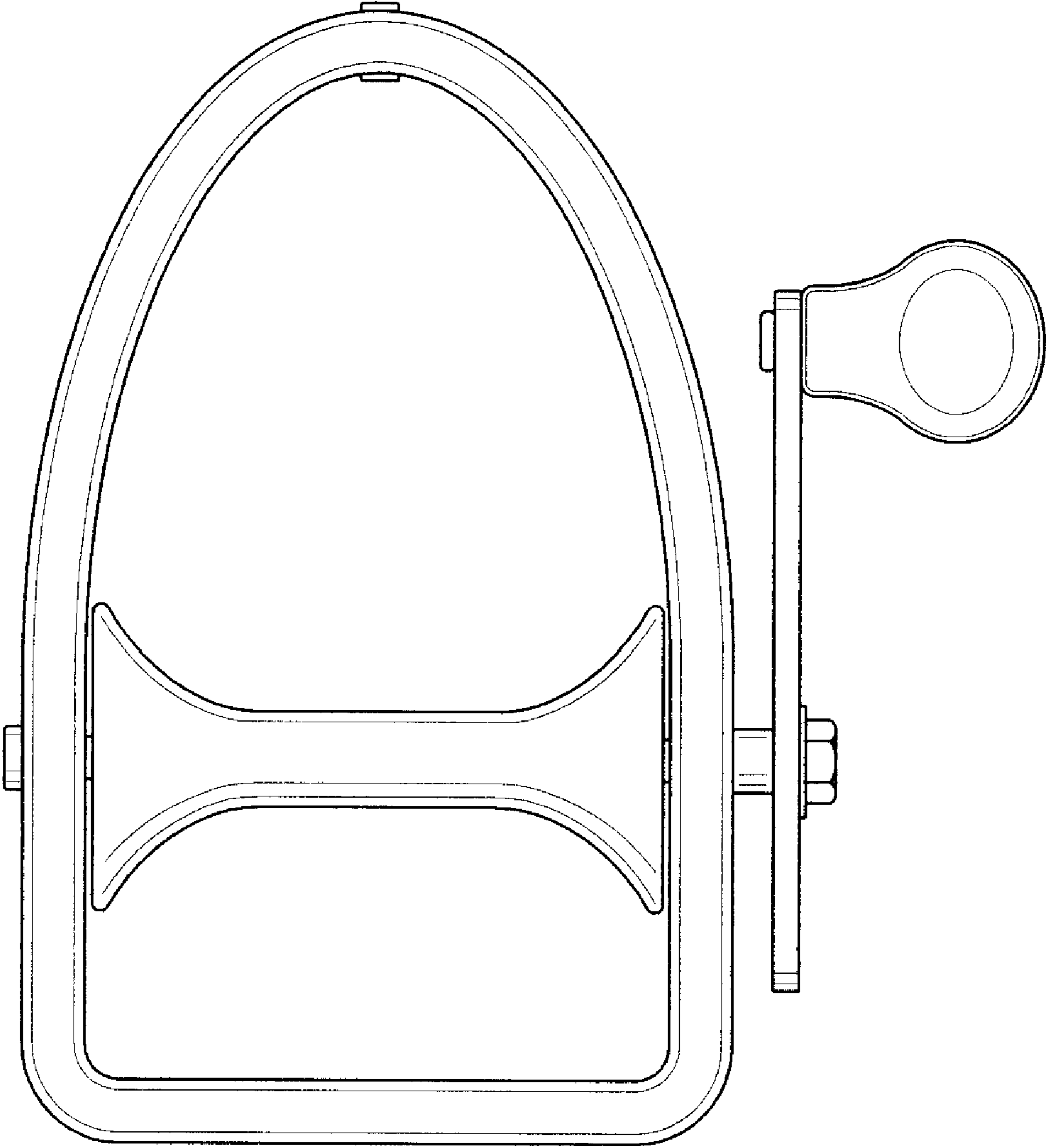


FIG.1

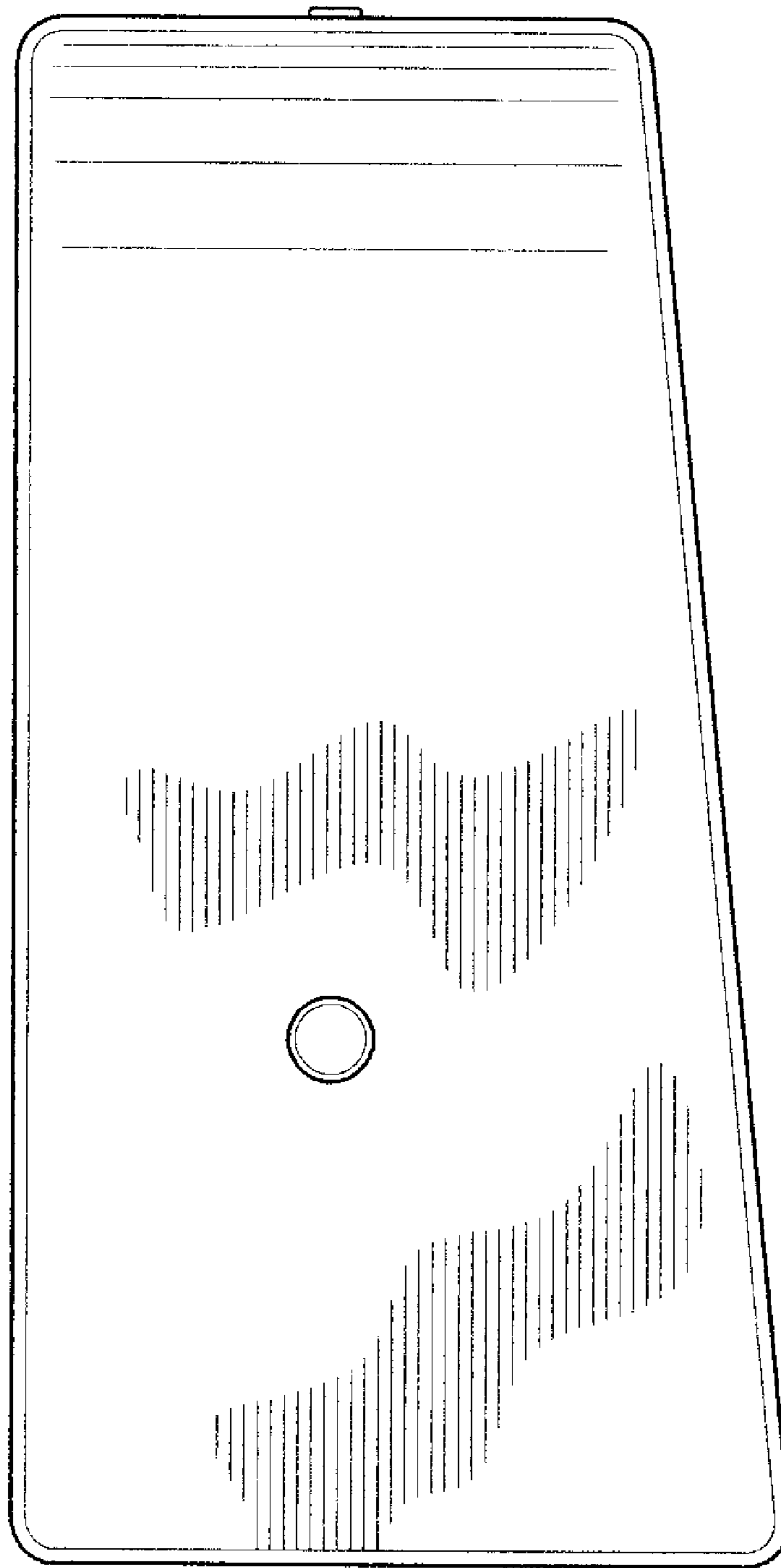


FIG.2

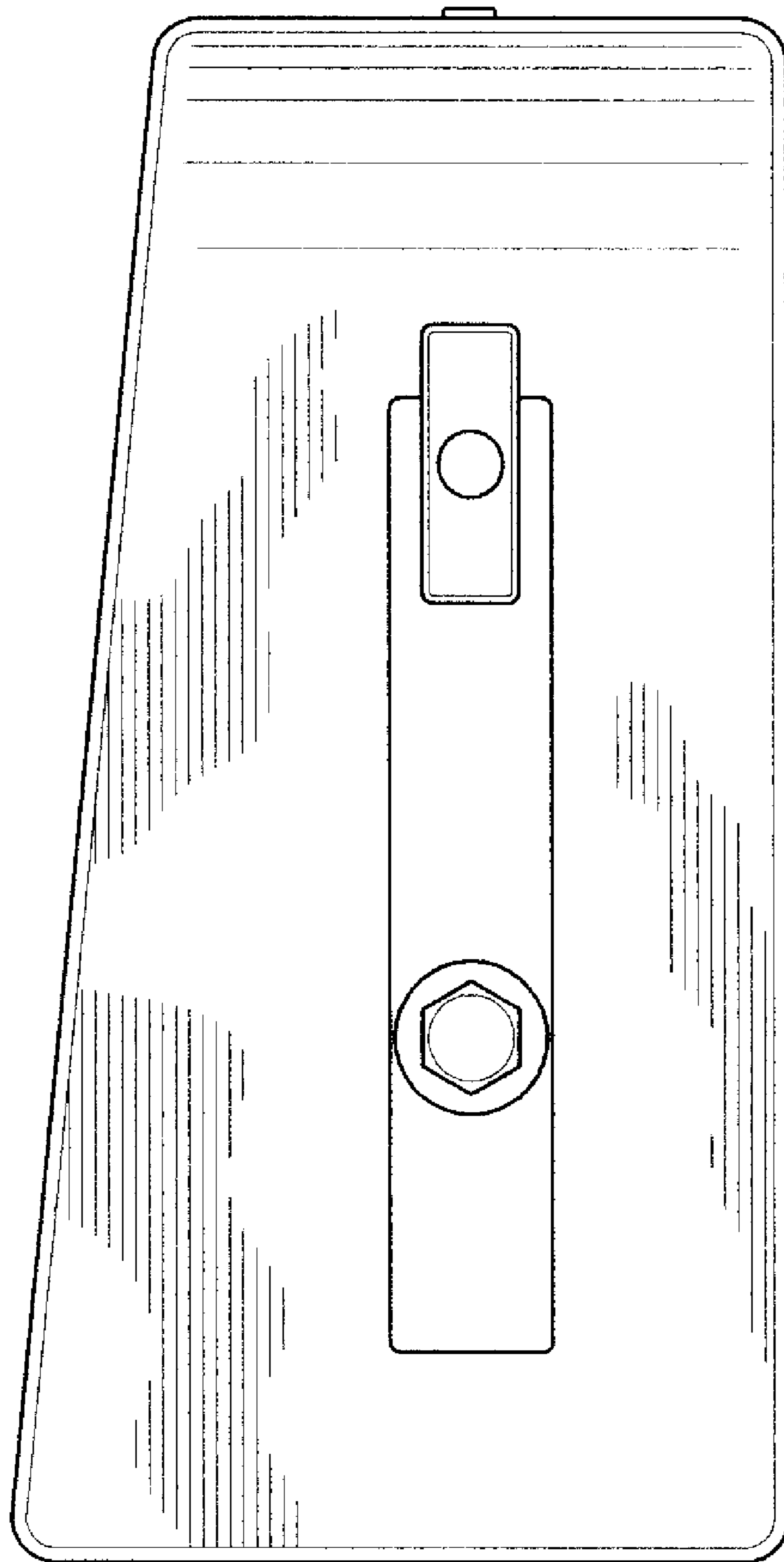


FIG.3

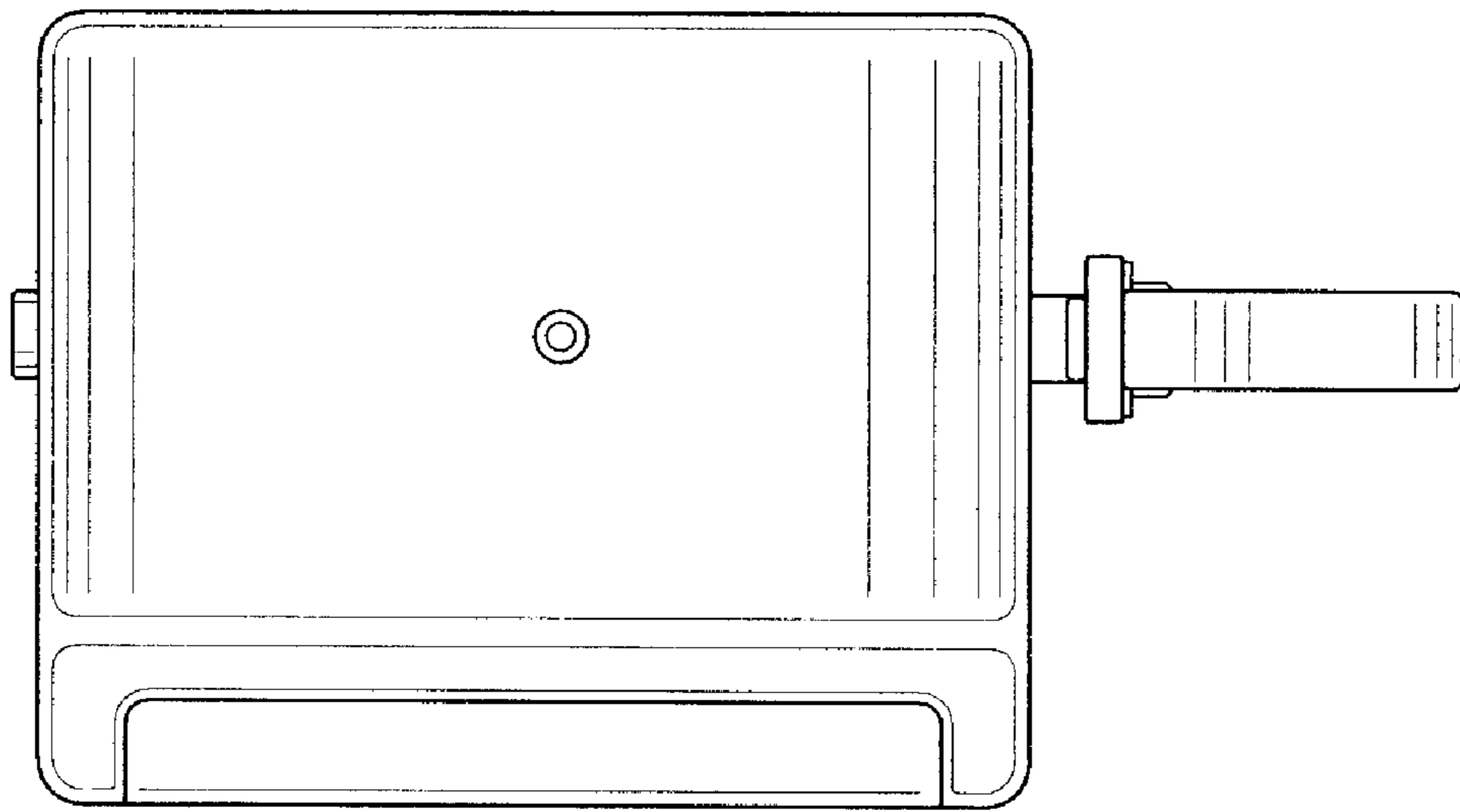


FIG.4

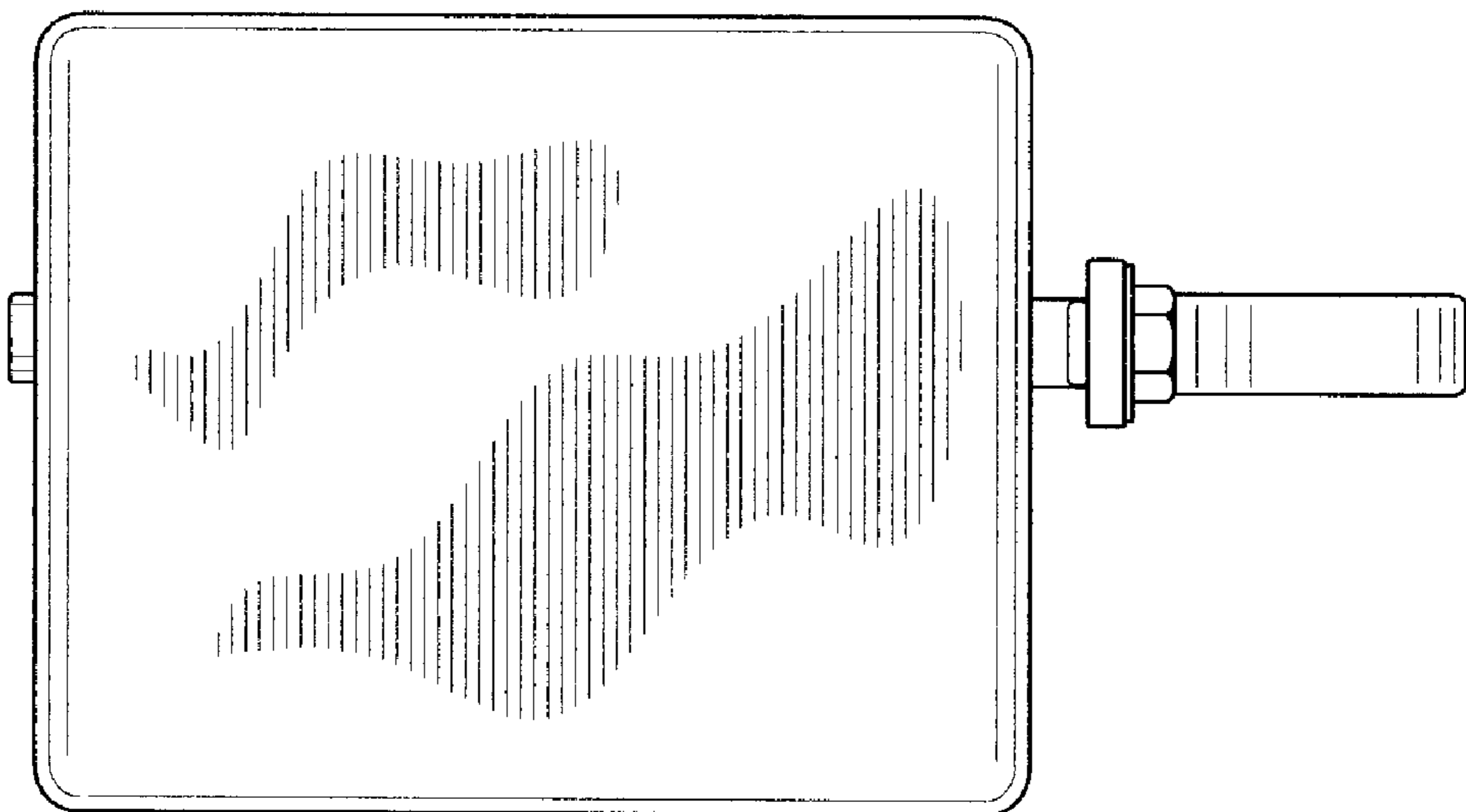


FIG.5

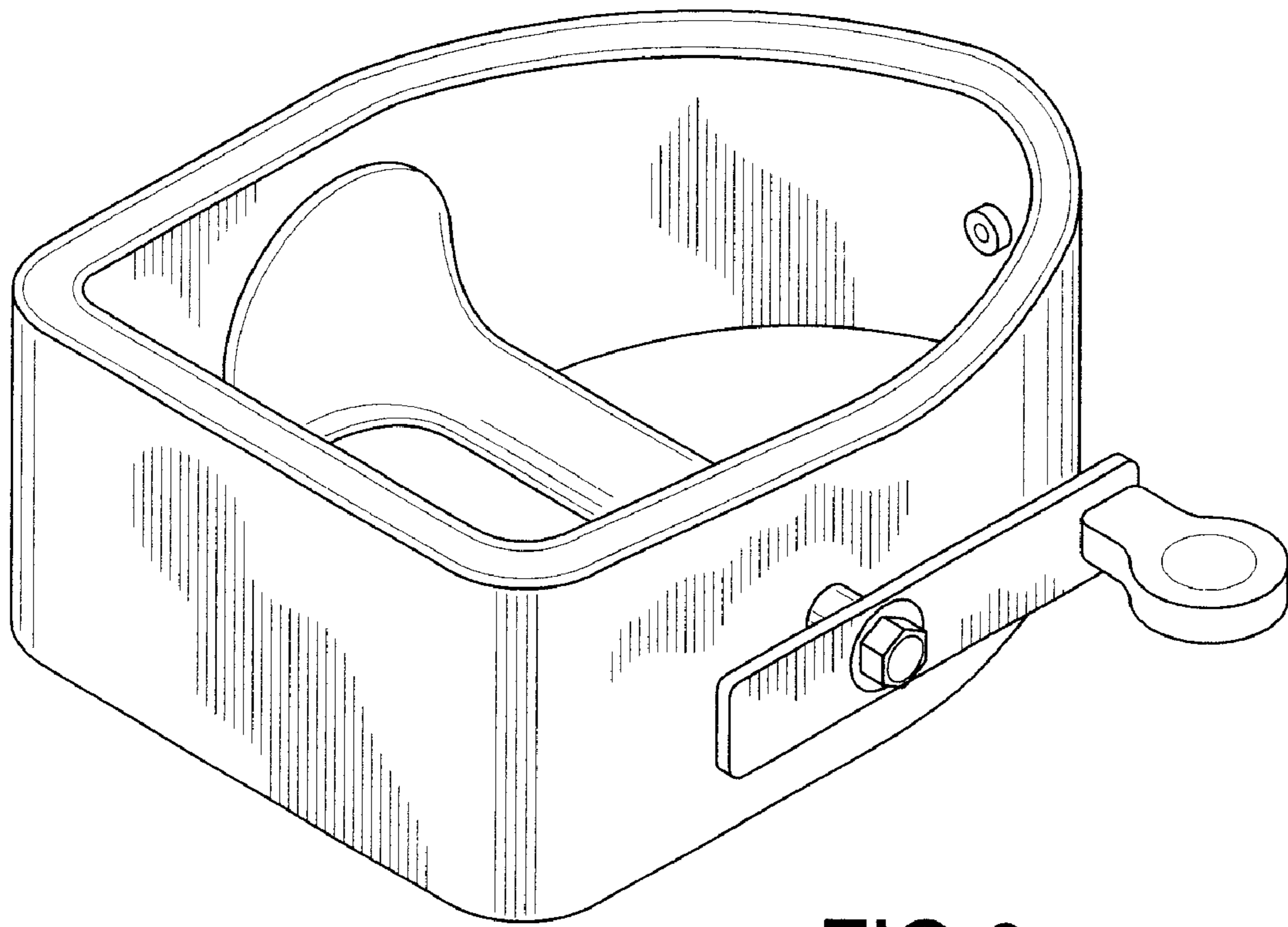


FIG.6