



US00D533770S

(12) **United States Design Patent**
Schnackenberg

(10) **Patent No.:** **US D533,770 S**

(45) **Date of Patent:** **** Dec. 19, 2006**

(54) **BRACKET FOR A CONNECTION KIT FOR A POWER GENERATOR**

(75) Inventor: **Paul Schnackenberg**, Cumming, GA (US)

(73) Assignee: **Gen-Tran Corporation**, Roswell, GA (US)

(**) Term: **14 Years**

(21) Appl. No.: **29/215,323**

(22) Filed: **Oct. 18, 2004**

(51) **LOC (8) Cl.** **08-05**

(52) **U.S. Cl.** **D8/354**

(58) **Field of Classification Search** D8/349,
D8/354; D12/223; 248/200, 300, 674
See application file for complete search history.

(56) **References Cited**

U.S. PATENT DOCUMENTS

6,047,942 A * 4/2000 Kennedy 248/674

OTHER PUBLICATIONS

Gen-Tran Corporation Brochure, published at least as early as Oct. 15, 2003, showing a parallel connection kit which is hung by hook on the carrying handle of a generat.

Packaging for a parallel power kit, sold by Reliance Controls, Inc., at least as early as Oct. 14, 2004, showing a flexible fabric strap affixed to the carrying handle of a generator, for supporting the wiring box for the parallel connection kit.

Photo of a simple wiring—only parallel connection kit, without a central housing, offered for sale by Southwest Supply Co., at least as early as Oct. 14, 2004.

Photo from an eBay listing, of a simple wiring—only parallel connection kit, without a central housing, offered for sale by Big Sky Power Equipment Sales, at least as early as Oct. 14, 2004.

Printout from website for Tele-Lite, showing a bracket for mounting a light directly to a generator, showing a bracket as used in an embodiment of the present invention. This bracket was on sale at least as early as Oct. 14, 2004.

* cited by examiner

Primary Examiner—Holly H. Baynham

(74) *Attorney, Agent, or Firm*—Greenberg Traurig LLP

(57) **CLAIM**

The ornamental design of the for the bracket for a connection kit for a power generator, as shown and described.

DESCRIPTION

FIG. 1 is a front view of the bracket for a connection kit for a power generator, showing my new design.

FIG. 2 is a front perspective view thereof.

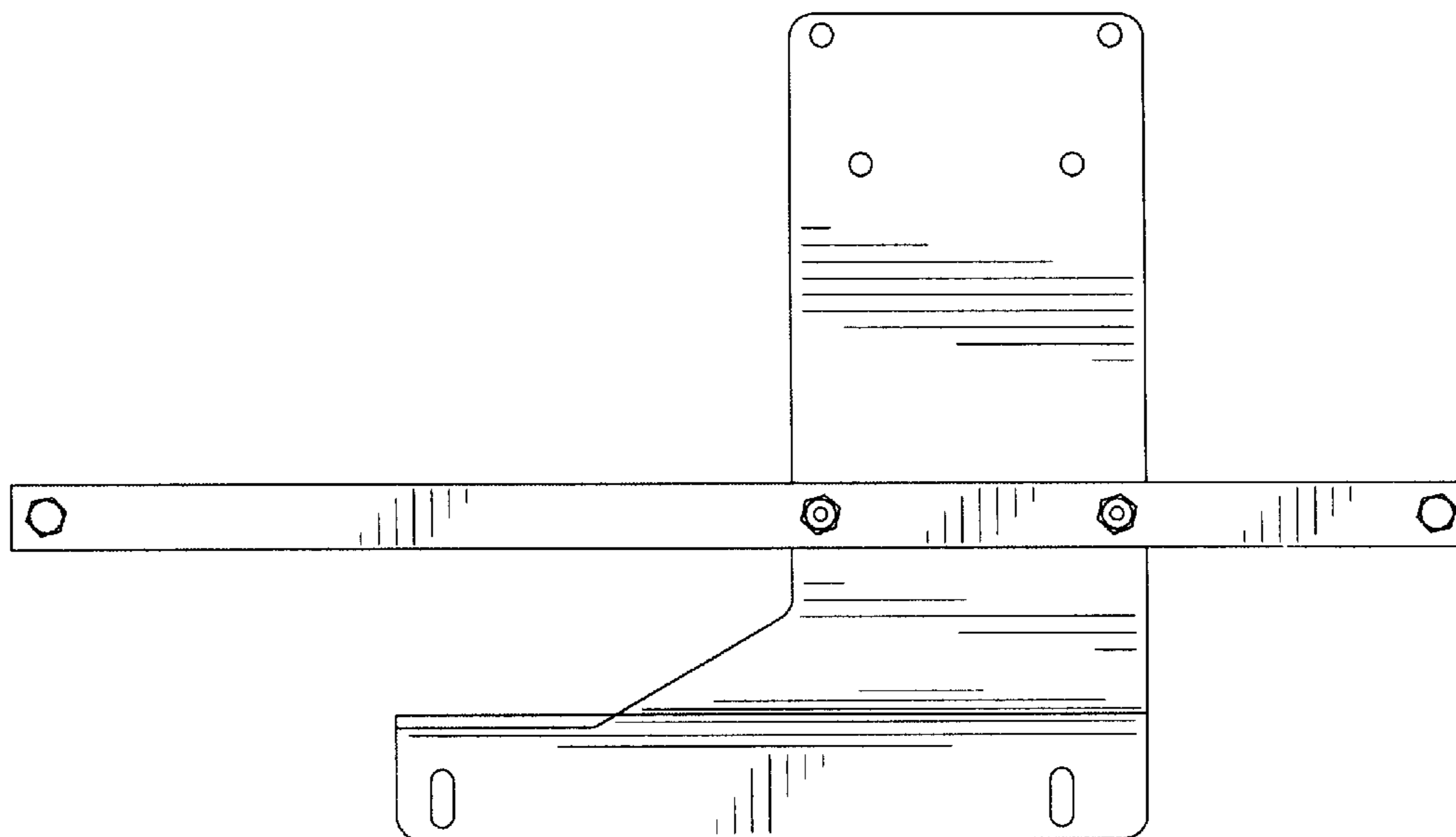
FIG. 3 is a rear view thereof.

FIG. 4 is a view from one side thereof.

FIG. 5 is a view from an opposite side thereof; and,

FIG. 6 is a perspective view thereof.

1 Claim, 5 Drawing Sheets



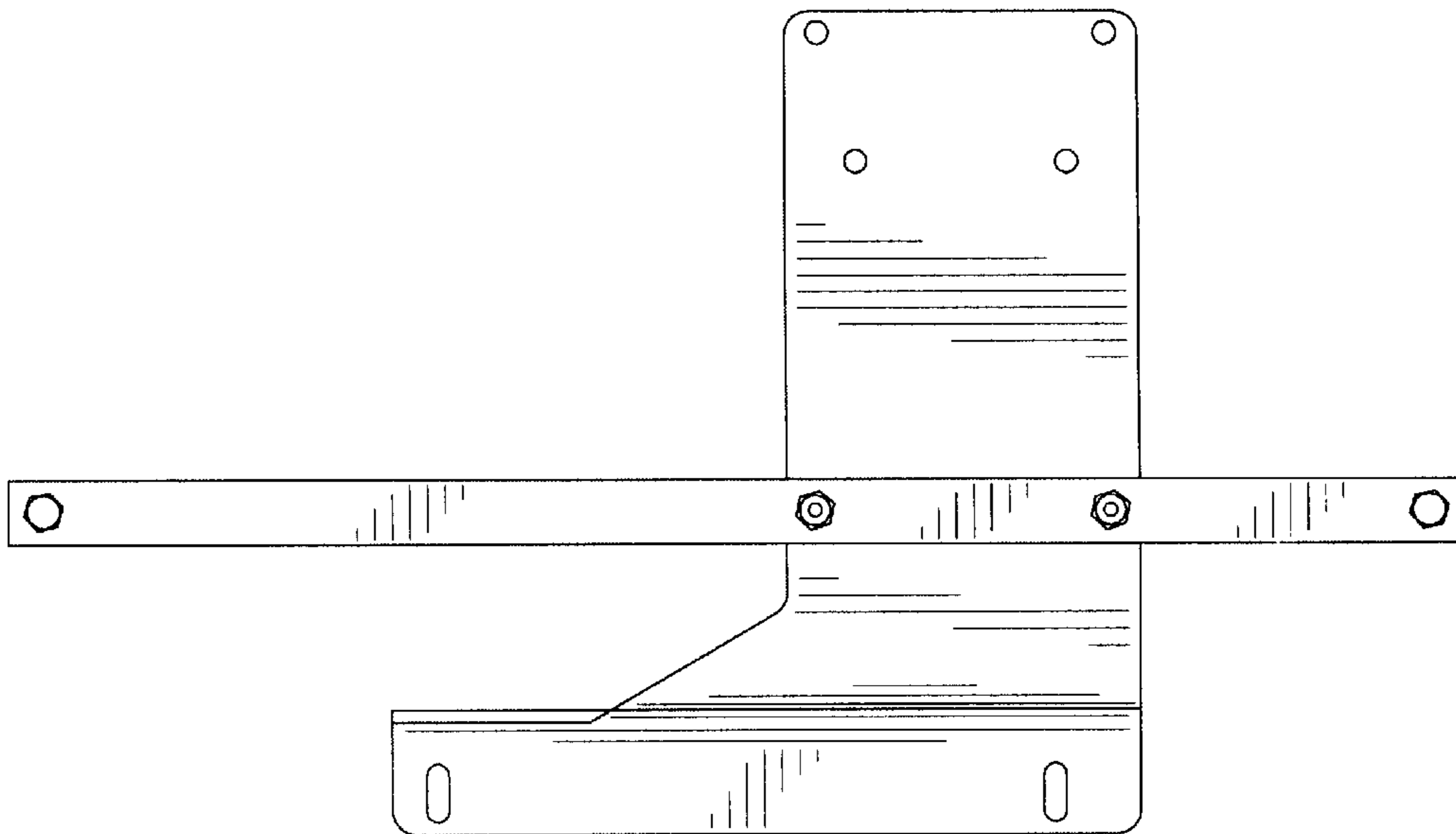


FIG. 1

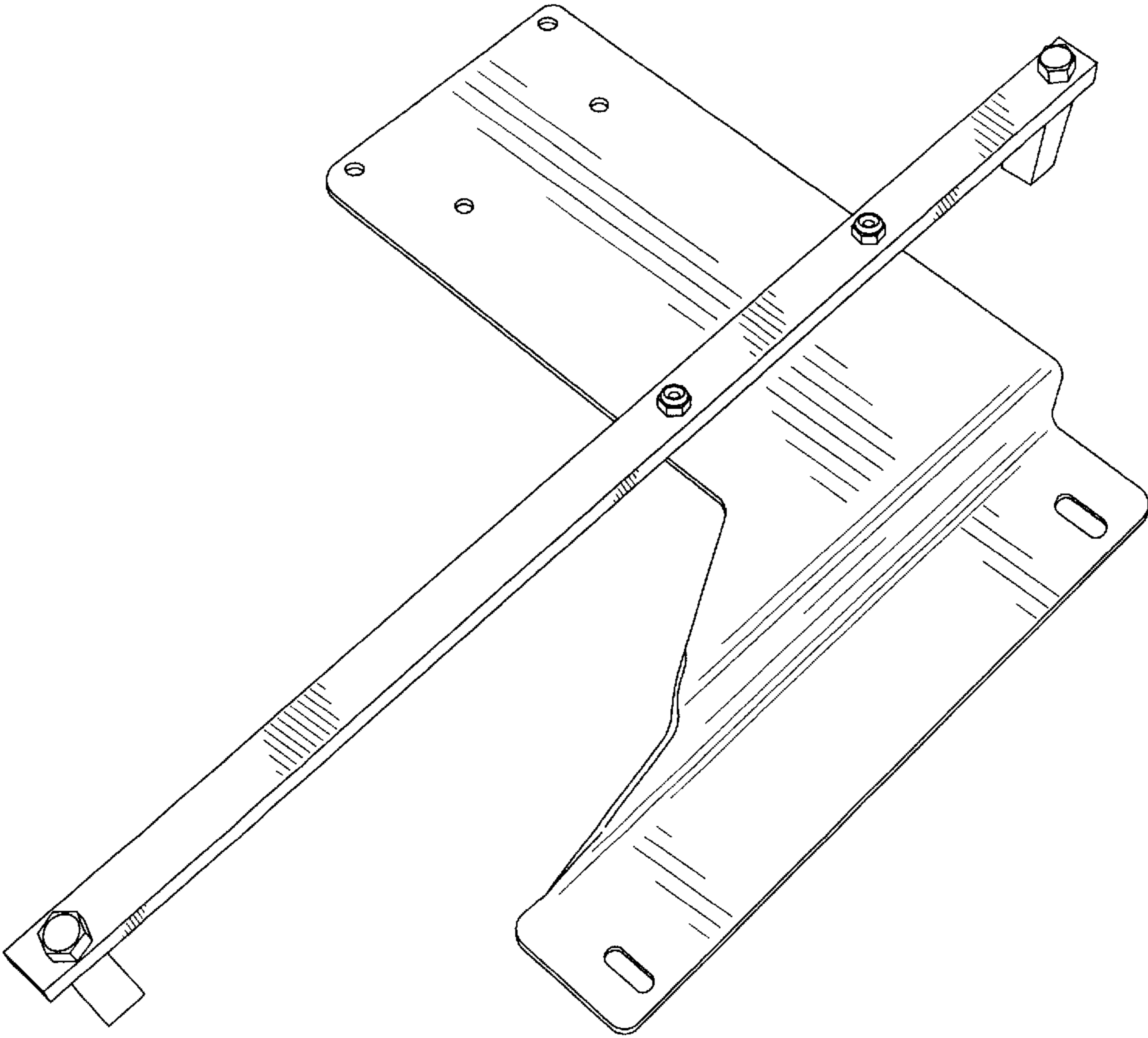


FIG. 2

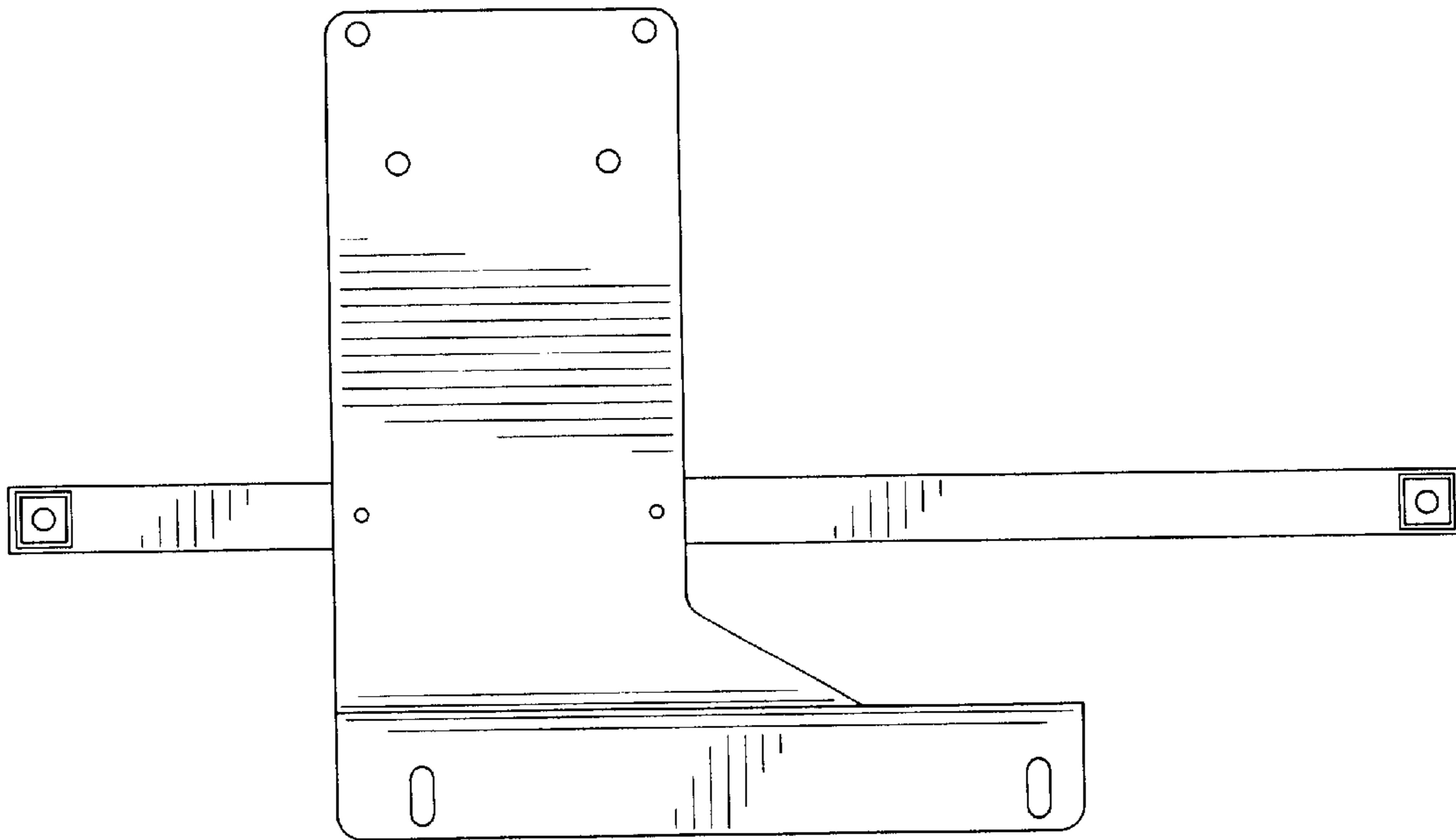


FIG. 3

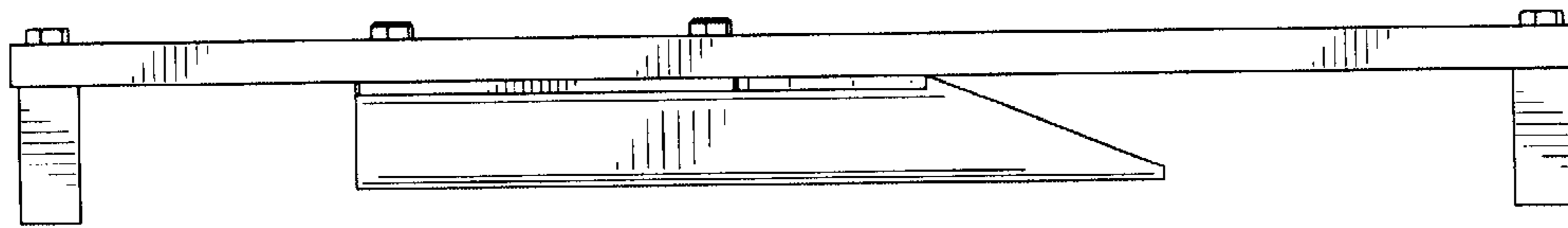


FIG. 4

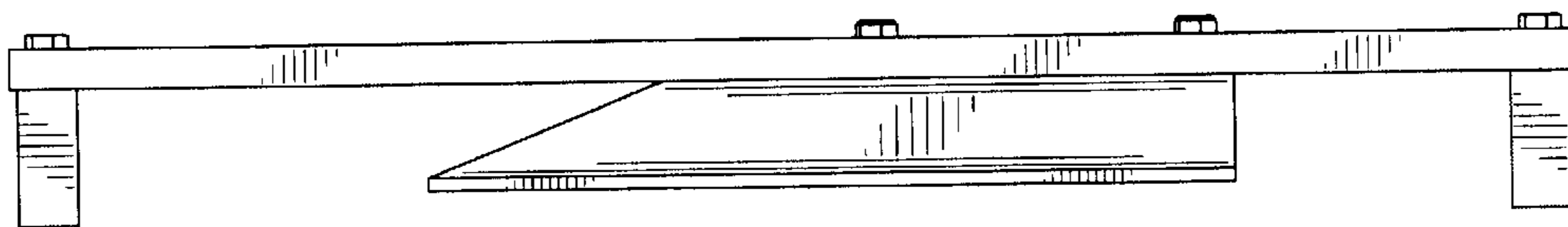


FIG. 5

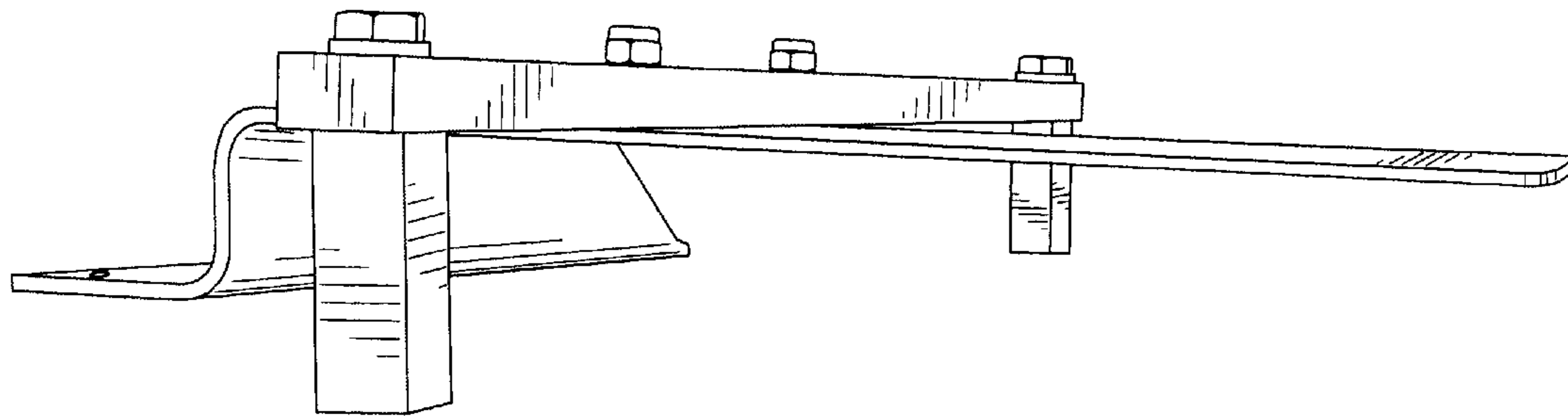


FIG. 6