



US00D533767S

(12) **United States Design Patent** (10) **Patent No.:** **US D533,767 S**  
**Roychowdhury** (45) **Date of Patent:** **\*\* Dec. 19, 2006**

(54) **VICTORIAN SCROLL BRACKET**

(76) Inventor: **Ranobir Roychowdhury**, 30 Vanessa Ct., Cherry Hill, NJ (US) 08003

(\*\*) Term: **14 Years**

(21) Appl. No.: **29/223,795**

(22) Filed: **Oct. 18, 2006**

(51) **LOC (8) Cl.** ..... **08-05**

(52) **U.S. Cl.** ..... **D8/349**

(58) **Field of Classification Search** ..... D8/349, D8/354, 380, 381, 350; 248/220, 300  
 See application file for complete search history.

D241,813 S \* 10/1976 Mellyn ..... D8/350  
 D243,662 S \* 3/1977 James ..... D8/350  
 D246,432 S \* 11/1977 Tegner ..... D8/350  
 D259,916 S \* 7/1981 Pittenger ..... D8/350  
 D326,996 S \* 6/1992 Birch ..... D8/350  
 D342,437 S 12/1993 Prezner  
 D389,039 S \* 1/1998 Smiley et al. .... D8/376  
 D404,995 S \* 2/1999 Jaggi et al. .... D8/350  
 D487,393 S \* 3/2004 Blackstone ..... D8/380

\* cited by examiner

*Primary Examiner*—Holly H. Baynham  
 (74) *Attorney, Agent, or Firm*—Caesar, Rivise, Bernstein, Cohen & Pokotolow, Ltd.

(57) **CLAIM**

The ornamental design for a Victorian scroll bracket, as shown and described.

(56) **References Cited**

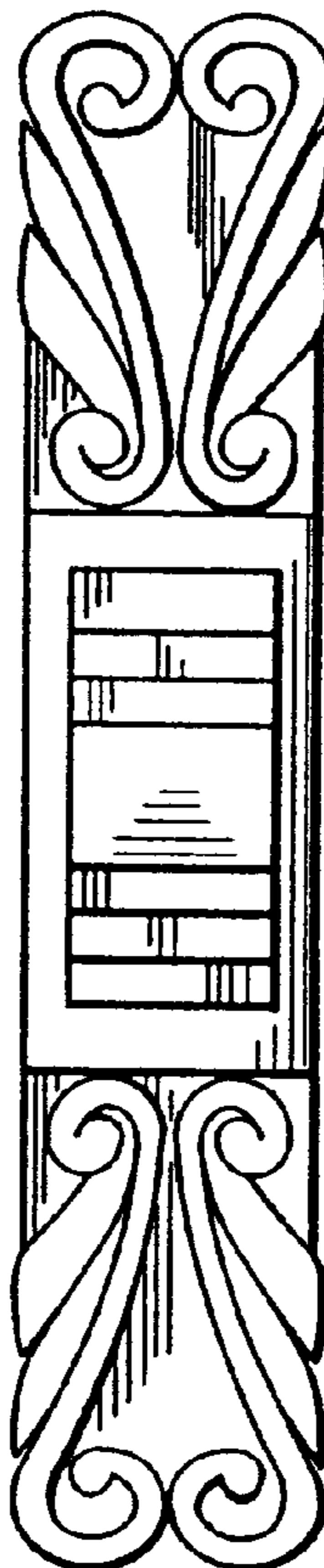
U.S. PATENT DOCUMENTS

D675 S \* 10/1854 DeZouches ..... D8/381  
 D36,246 S \* 3/1903 Priore ..... D8/381  
 D182,608 S \* 4/1958 Lubberts et al. .... D8/350  
 D207,700 S \* 5/1967 Stone ..... D8/350  
 D207,701 S \* 5/1967 Stone ..... D8/350  
 D220,379 S \* 4/1971 Baker ..... D8/350  
 D224,776 S \* 9/1972 Tegnor ..... D8/350  
 D233,409 S \* 10/1974 Zagaroli ..... D8/350  
 D236,682 S \* 9/1975 Clayton ..... D8/350  
 D236,947 S \* 9/1975 Palm, Jr. .... D8/350

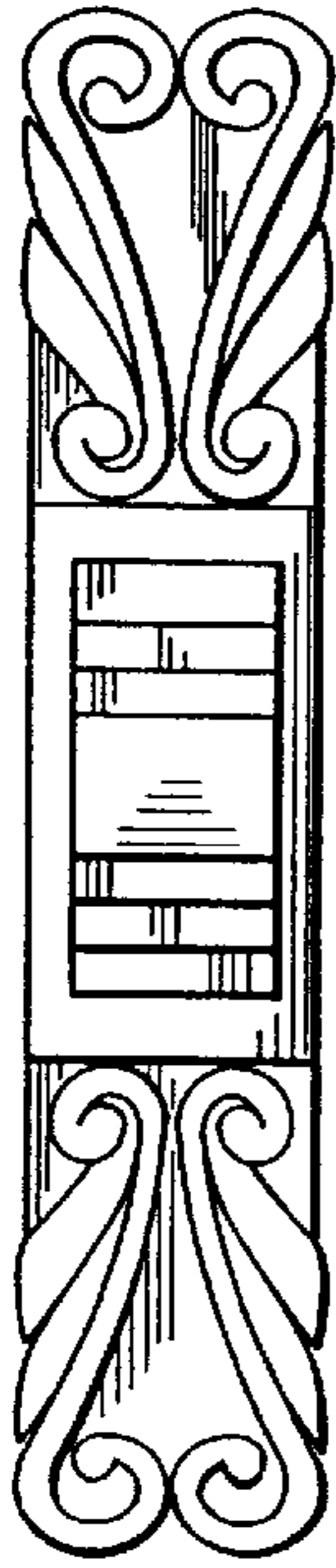
**DESCRIPTION**

FIG. 1 is a front view of a Victorian scroll bracket according to my new design;  
 FIG. 2 is a rear view thereof;  
 FIG. 3 is a left side view thereof;  
 FIG. 4 is a right side view thereof; and,  
 FIG. 5 is an end view thereof; the end opposite being a mirror image.

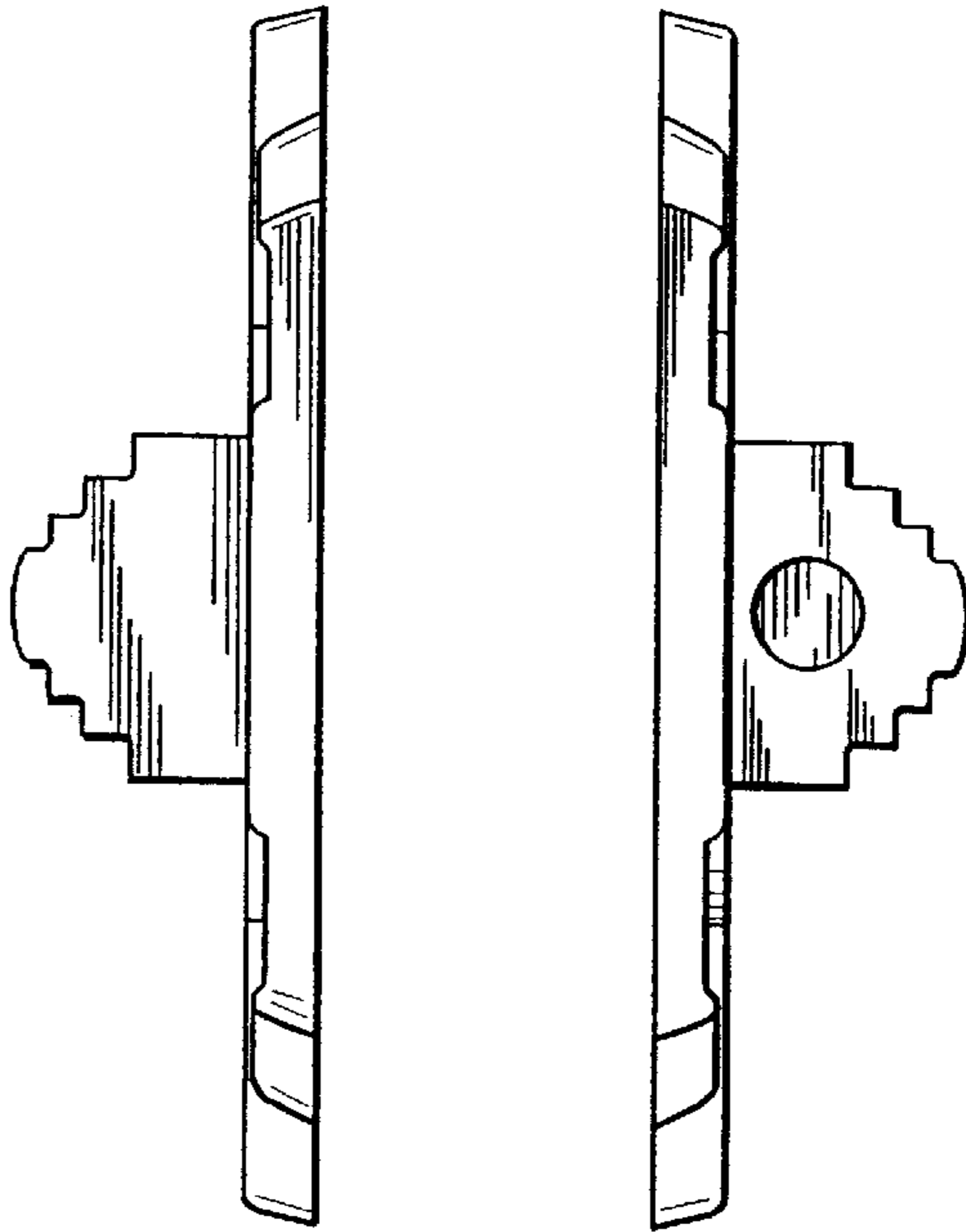
**1 Claim, 1 Drawing Sheet**



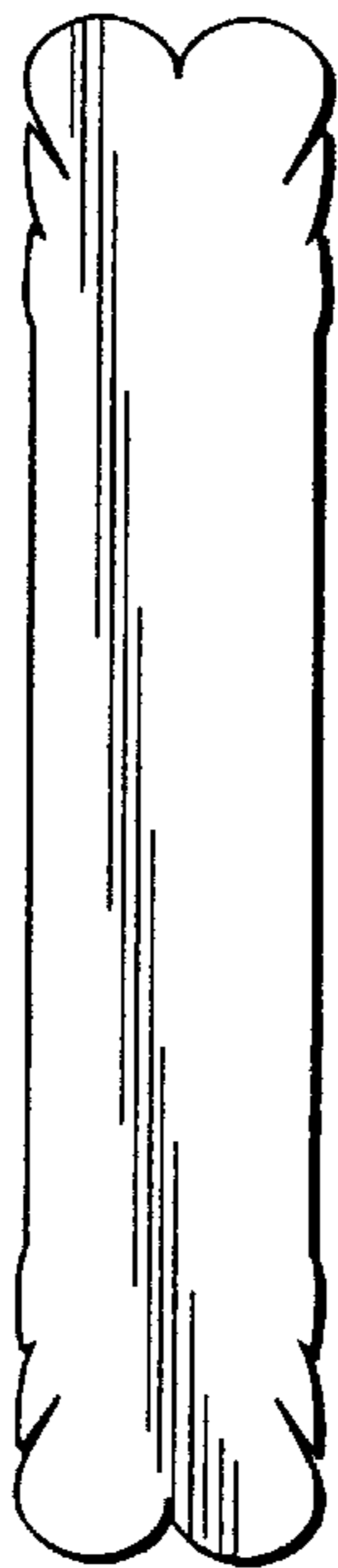
**FIG. 1**



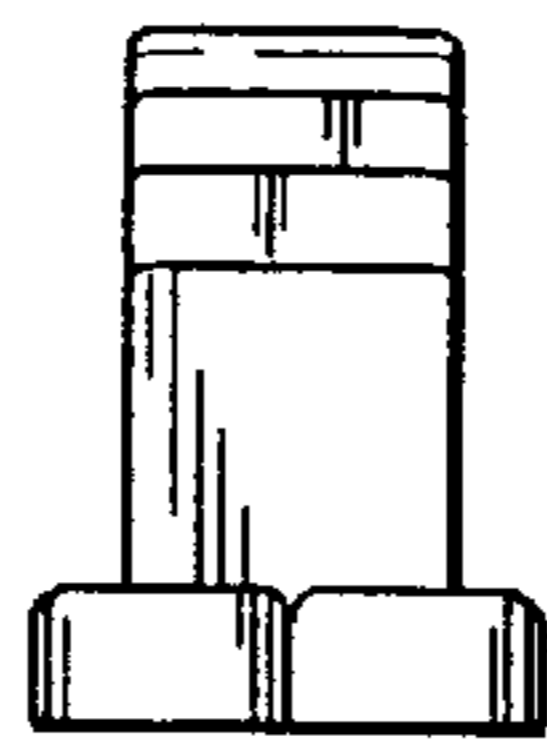
**FIG. 3**



**FIG. 2**



**FIG. 4**



**FIG. 5**