



US00D533766S

(12) **United States Design Patent**  
**Roychowdhury**

(10) **Patent No.:** **US D533,766 S**

(45) **Date of Patent:** **\*\* Dec. 19, 2006**

(54) **FLEUR DE LYS BRACKET**

(76) Inventor: **Ranobir Roychowdhury**, 30 Vanessa Ct., Cherry Hill, NJ (US) 08003

(\*\*) Term: **14 Years**

(21) Appl. No.: **29/223,750**

(22) Filed: **Feb. 18, 2005**

(51) **LOC (8) Cl.** ..... **08-05**

(52) **U.S. Cl.** ..... **D8/349**

(58) **Field of Classification Search** ..... D8/354,  
D8/349, 380, 381, 350; 248/200, 300  
See application file for complete search history.

(56) **References Cited**

U.S. PATENT DOCUMENTS

D675 S	*	10/1854	DeZouches	.....	D8/381
D36,246 S	*	3/1903	Priore	.....	D8/381
D182,608 S	*	4/1958	Lubberts et al.	.....	D8/350
D207,700 S	*	5/1967	Stone	.....	D8/350
D207,701 S	*	5/1967	Stone	.....	D8/350
D220,379 S	*	4/1971	Baker	.....	D8/350
D224,776 S	*	9/1972	Tegnor	.....	D8/350
D233,409 S	*	10/1974	Zagaroli	.....	D8/350
D236,682 S	*	9/1975	Clayton	.....	D8/350
D236,947 S	*	9/1975	Palm, Jr.	.....	D8/350

D241,813 S	*	10/1976	Mellyn	.....	D8/350
D243,662 S	*	3/1977	James	.....	D8/350
D246,432 S	*	11/1977	Tegner	.....	D8/350
D259,916 S	*	7/1981	Pittenger	.....	D8/350
D326,996 S	*	6/1992	Birch	.....	D8/350
D342,437 S		12/1993	Prezner		
D389,039 S	*	1/1998	Smiley et al.	.....	D8/376
D404,995 S	*	2/1999	Jaggi et al.	.....	D8/380
D487,393 S	*	3/2004	Blackstone	.....	D8/380

\* cited by examiner

*Primary Examiner*—Holly H. Baynham

(74) *Attorney, Agent, or Firm*—Caesar, Rivise, Bernstein, Cohen & Pokotilow, Ltd.

(57) **CLAIM**

The ornamental design for a fleur de lys bracket, as shown and described.

**DESCRIPTION**

FIG. 1 is a front view of a bracket according to my new design;

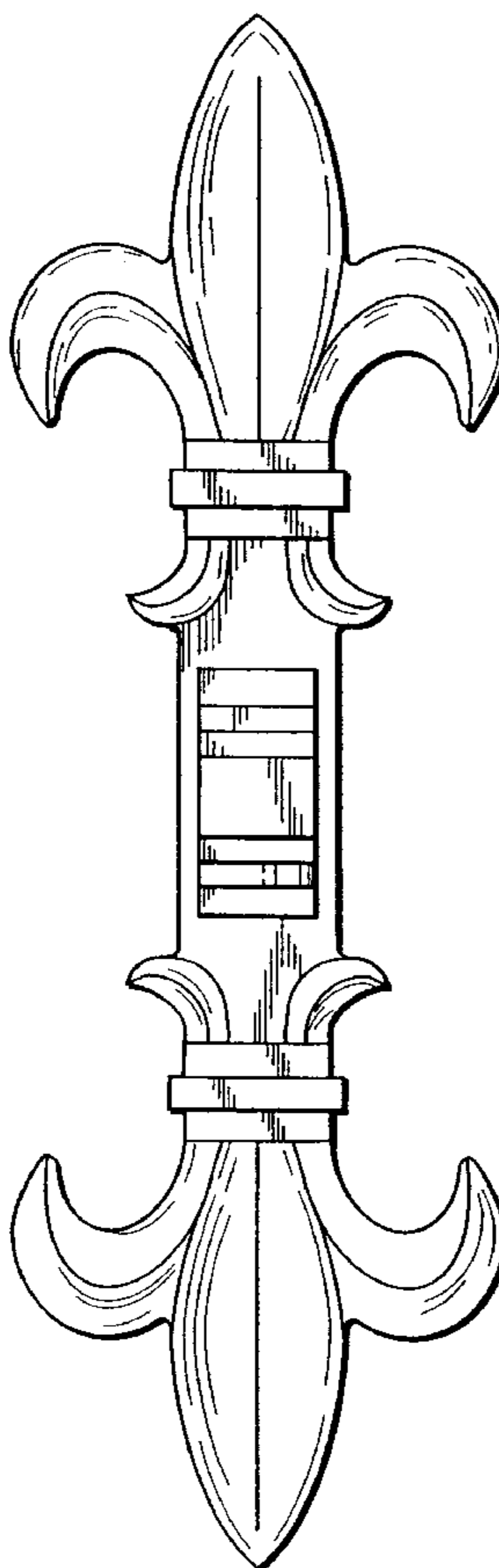
FIG. 2 is a rear view thereof;

FIG. 3 is a left side view thereof;

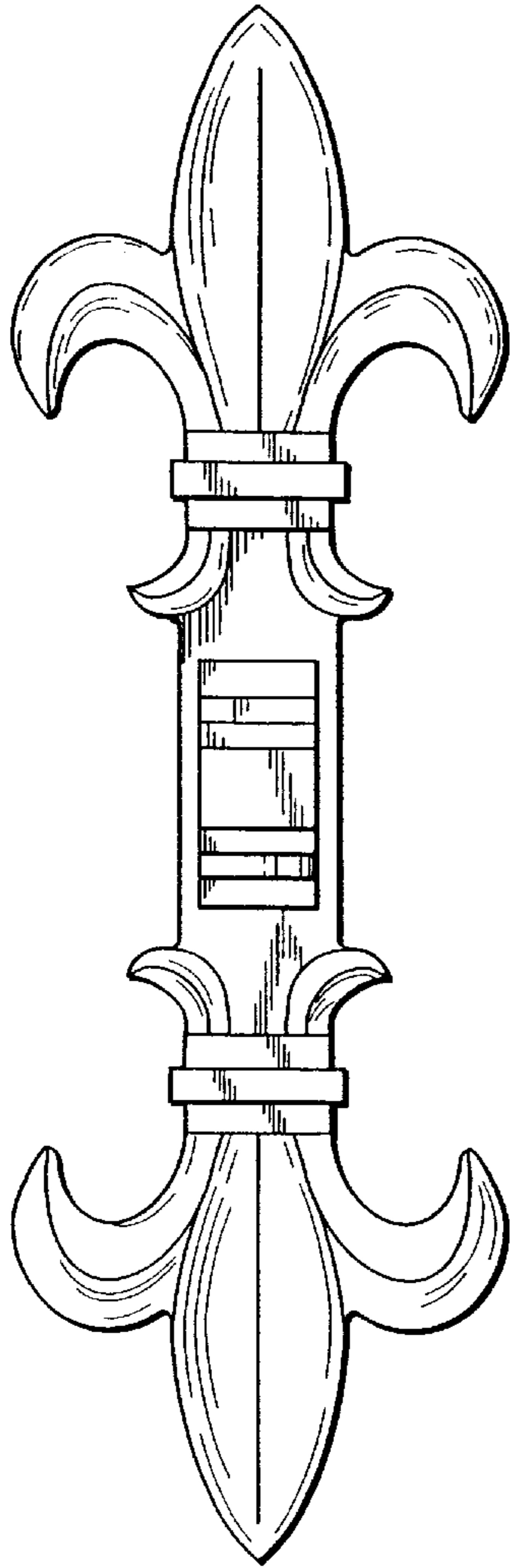
FIG. 4 is a right side view thereof; and,

FIG. 5 is an end view thereof; the end opposite being a mirror image.

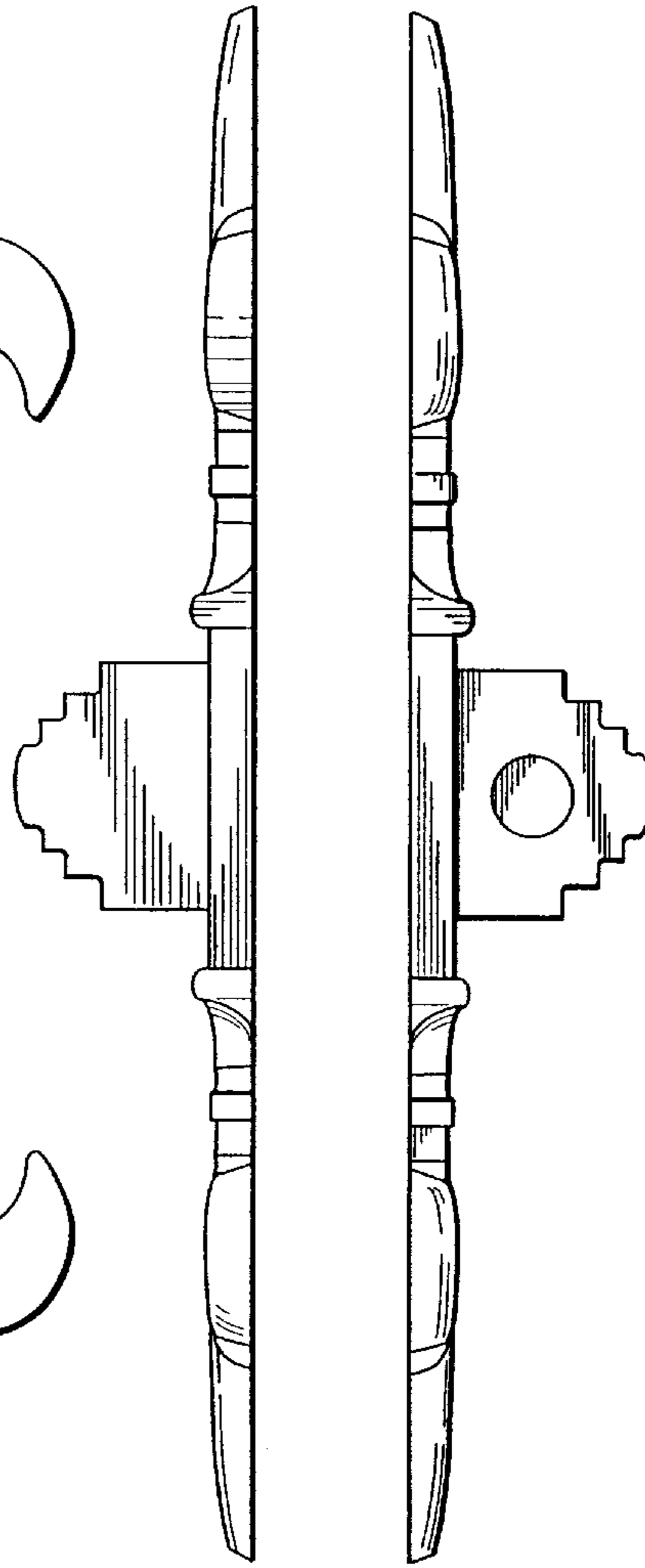
**1 Claim, 1 Drawing Sheet**



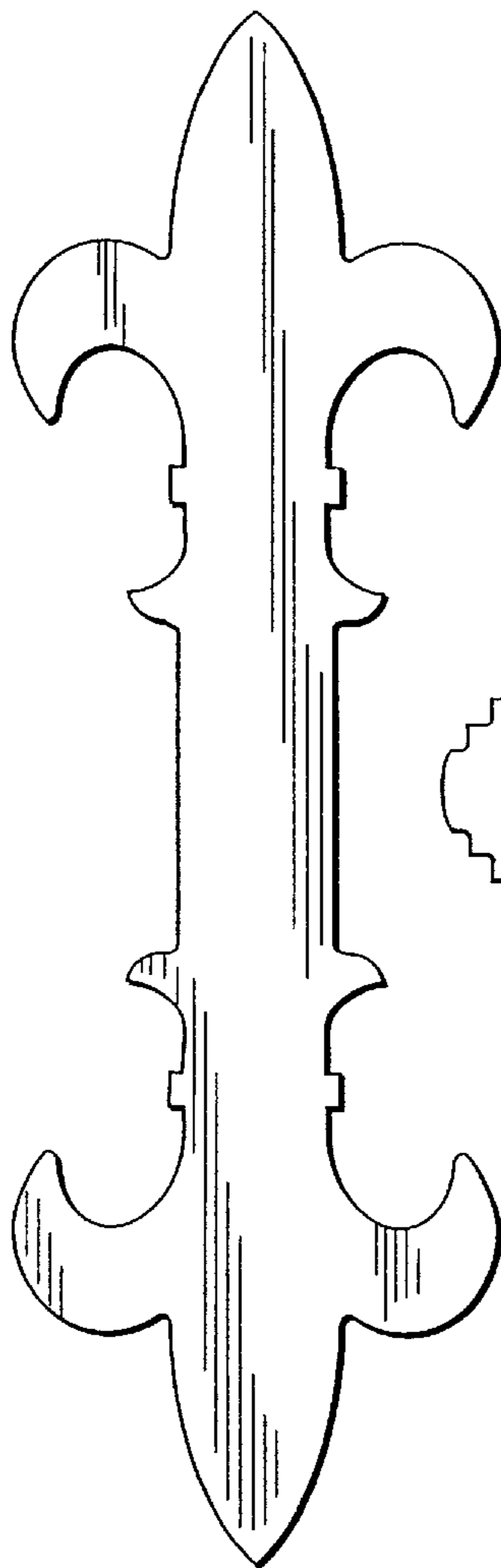
**FIG.1**



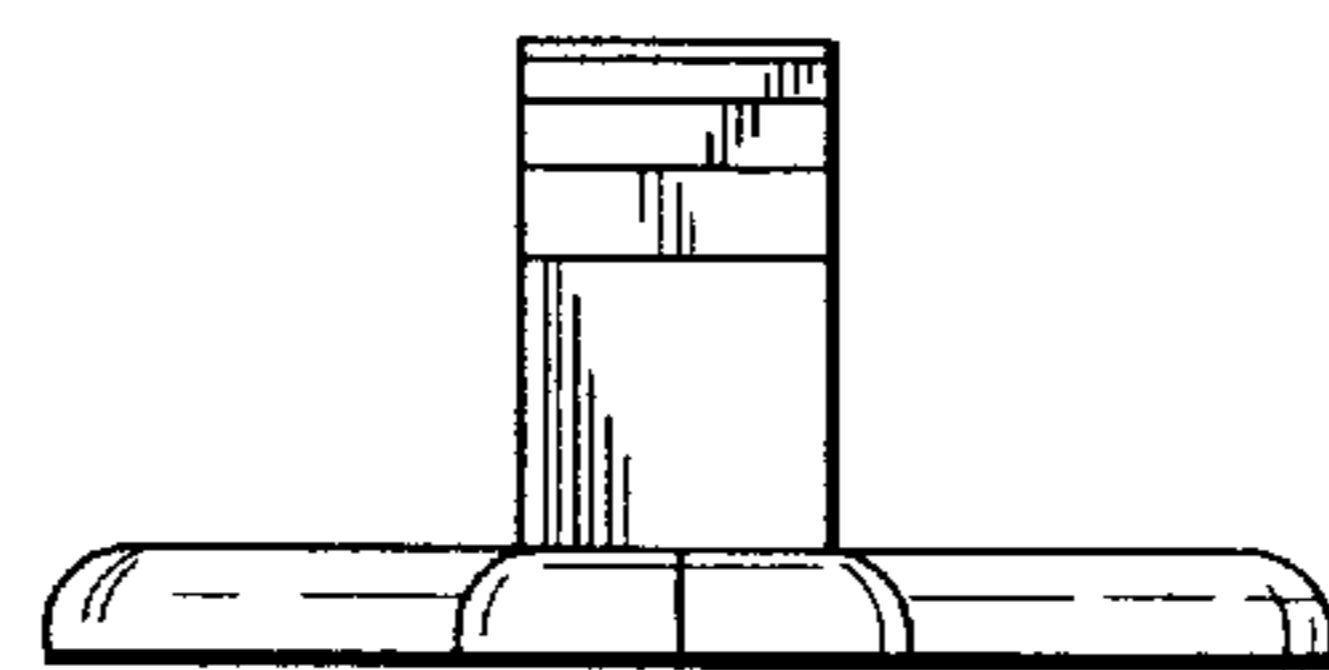
**FIG.3**



**FIG.2**



**FIG.4**



**FIG.5**