



US00D533765S

(12) **United States Design Patent**
Daugherty

(10) **Patent No.:** **US D533,765 S**

(45) **Date of Patent:** **** Dec. 19, 2006**

- (54) **KEY**
- (75) Inventor: **Eugene F. Daugherty**, San Antonio, TX (US)
- (73) Assignee: **Southern Folger Detention Equipment Company, LLC**, San Antonio, TX (US)
- (**) Term: **14 Years**
- (21) Appl. No.: **29/256,446**
- (22) Filed: **Mar. 21, 2006**
- (51) **LOC (8) Cl.** **08-07**
- (52) **U.S. Cl.** **D8/347**
- (58) **Field of Classification Search** D8/347, D8/348; 70/347, 271, 278.2, 336, 344, 348, 70/357, 382, 393, 429, 402-414, 469, 448
See application file for complete search history.

(56) **References Cited**

U.S. PATENT DOCUMENTS

289,284	A	*	11/1883	Lincoln	70/393
365,304	A	*	6/1887	Gurney	70/393
371,823	A	*	10/1887	Cowles	70/393
600,618	A	*	3/1898	Lockwood	70/393
D36,741	S	*	1/1904	Oaley	D8/347

D155,297	S	*	9/1949	Kushner	D8/82
3,541,818	A	*	11/1970	Dana	70/393
5,560,234	A	*	10/1996	Ross et al.	70/352
D433,315	S	*	11/2000	Chen	D8/347
6,519,989	B1	*	2/2003	Hirvi	70/492
6,755,061	B1	*	6/2004	Herzenberg	70/408
2003/0134600	A1	*	7/2003	Picone et al.	455/68

* cited by examiner

Primary Examiner—Prabhakar Deshmukh

(74) *Attorney, Agent, or Firm*—David O. Seeley; Thomas J. Rossa; Holme Roberts & Owen

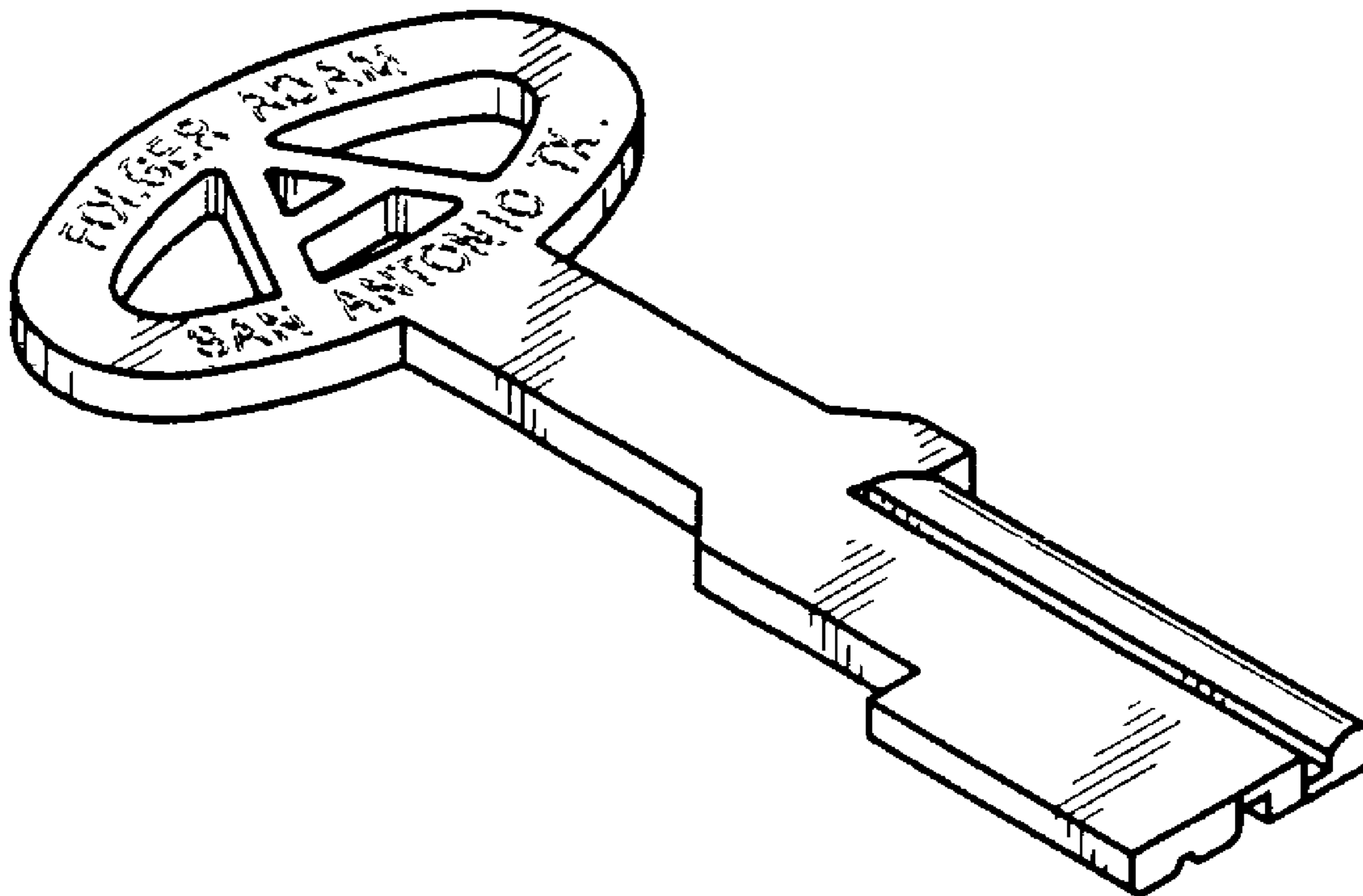
(57) **CLAIM**

The ornamental design for a key, as shown.

DESCRIPTION

FIG. 1 is a front perspective view of the key.
 FIG. 2 is a back perspective view of the key.
 FIG. 3 is a front view of the key.
 FIG. 4 is a back view of the key.
 FIG. 5 is a right side view of the key.
 FIG. 6 is a left side view of the key.
 FIG. 7 is a top view of the key; and,
 FIG. 8 is a bottom view of the key.

1 Claim, 1 Drawing Sheet



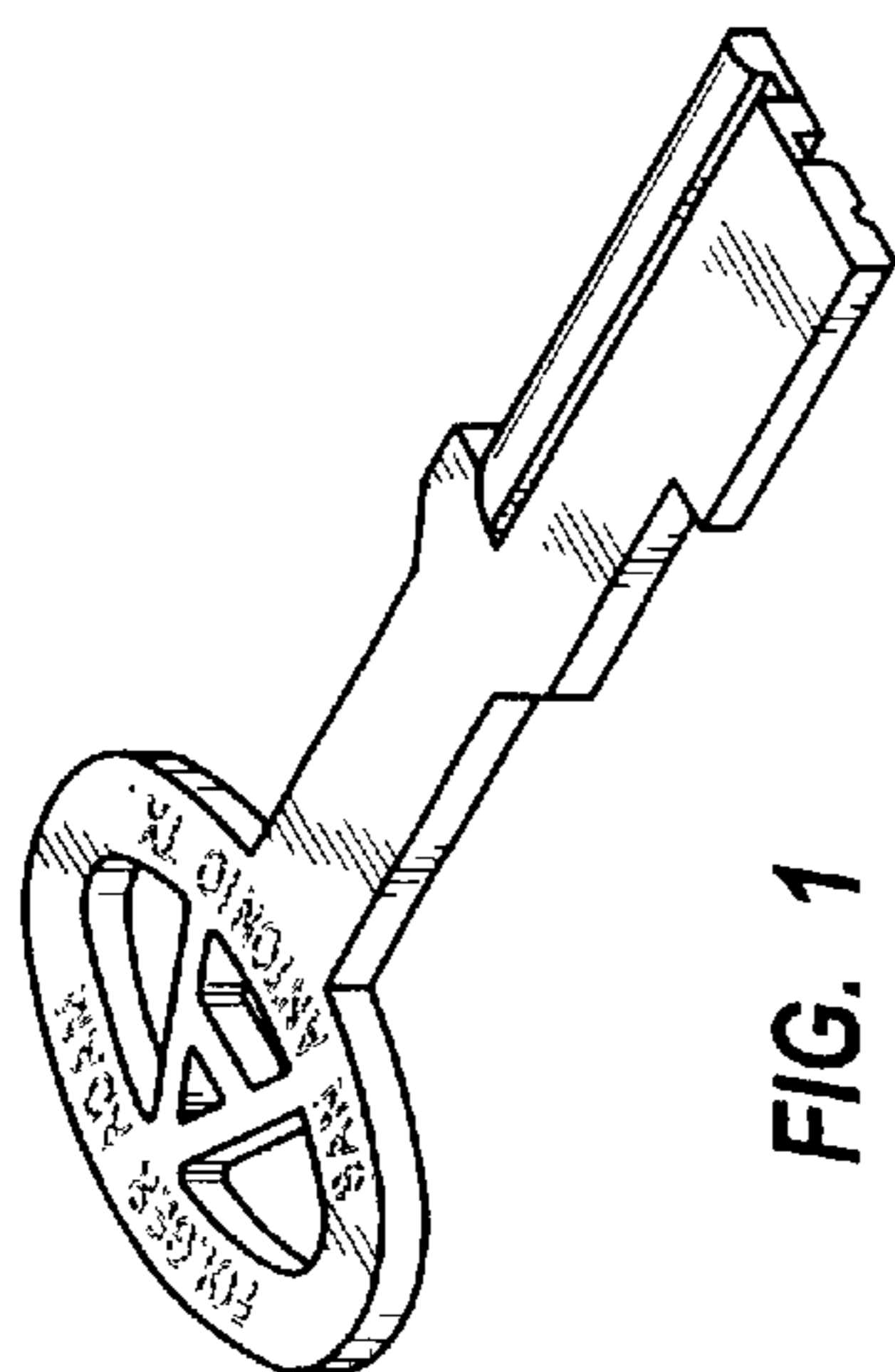


FIG. 1

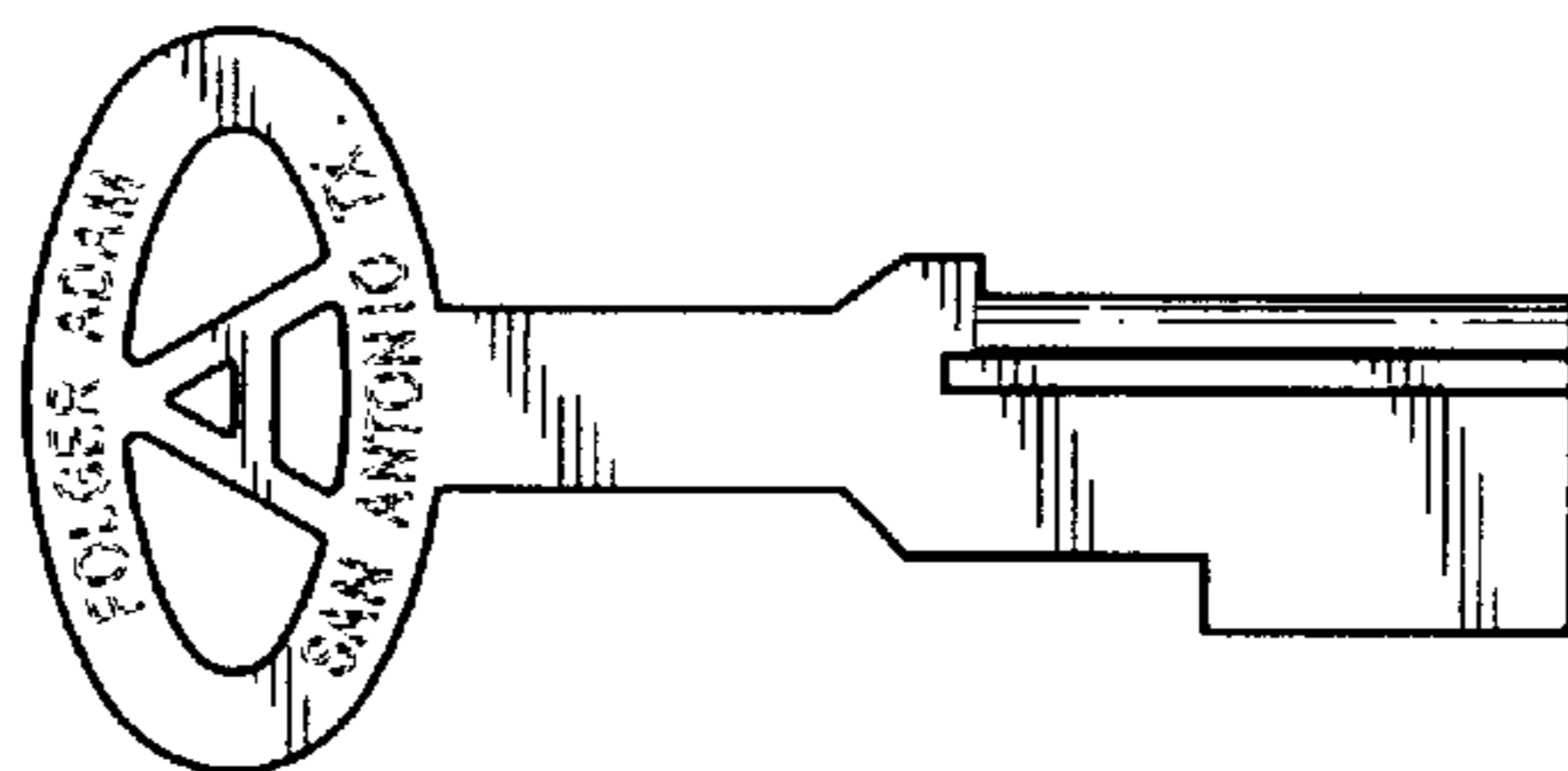


FIG. 3

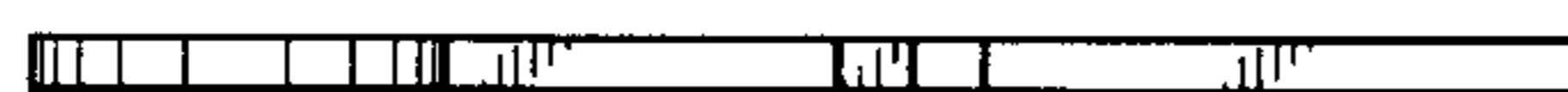


FIG. 5

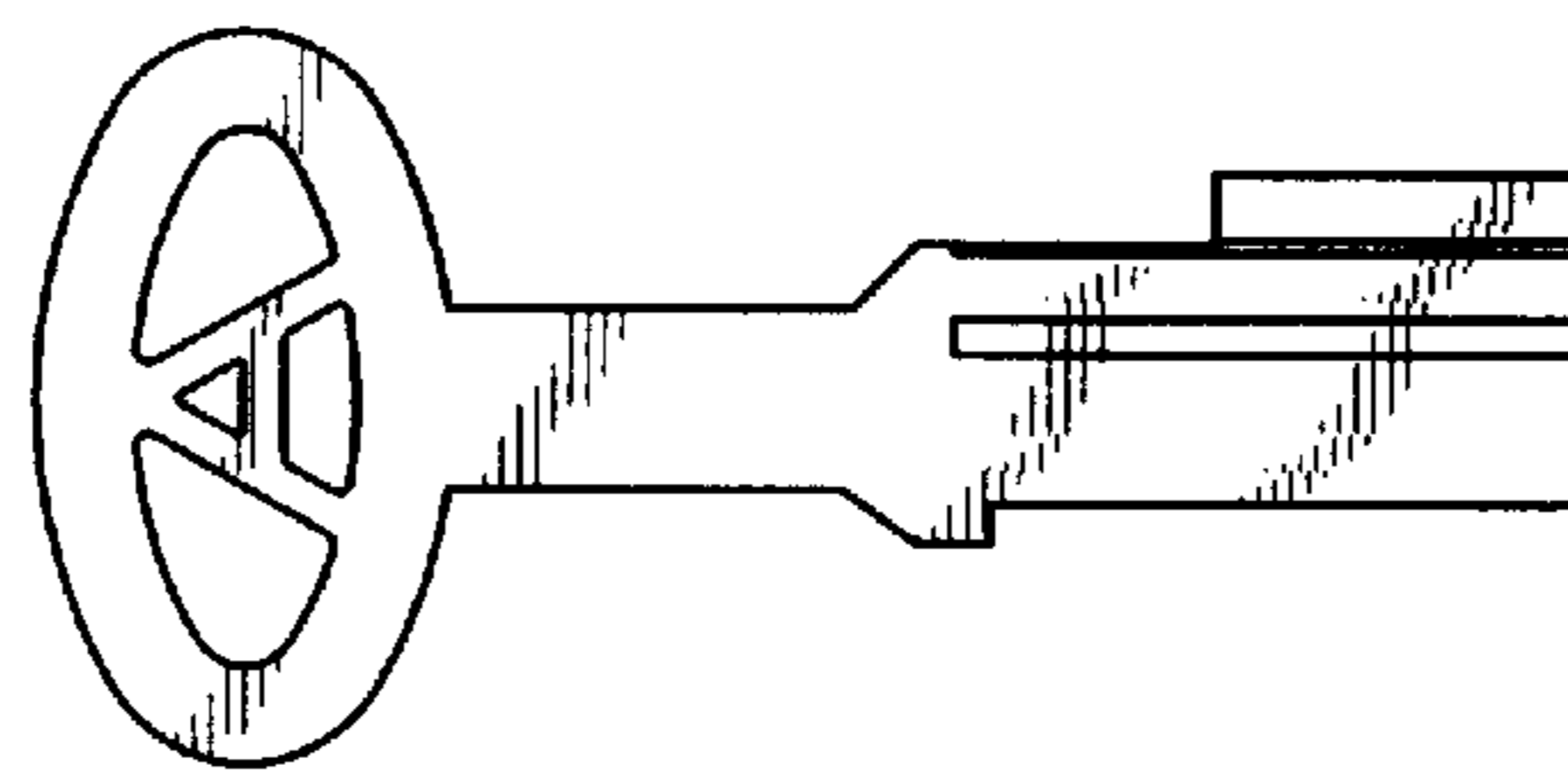


FIG. 4



FIG. 6

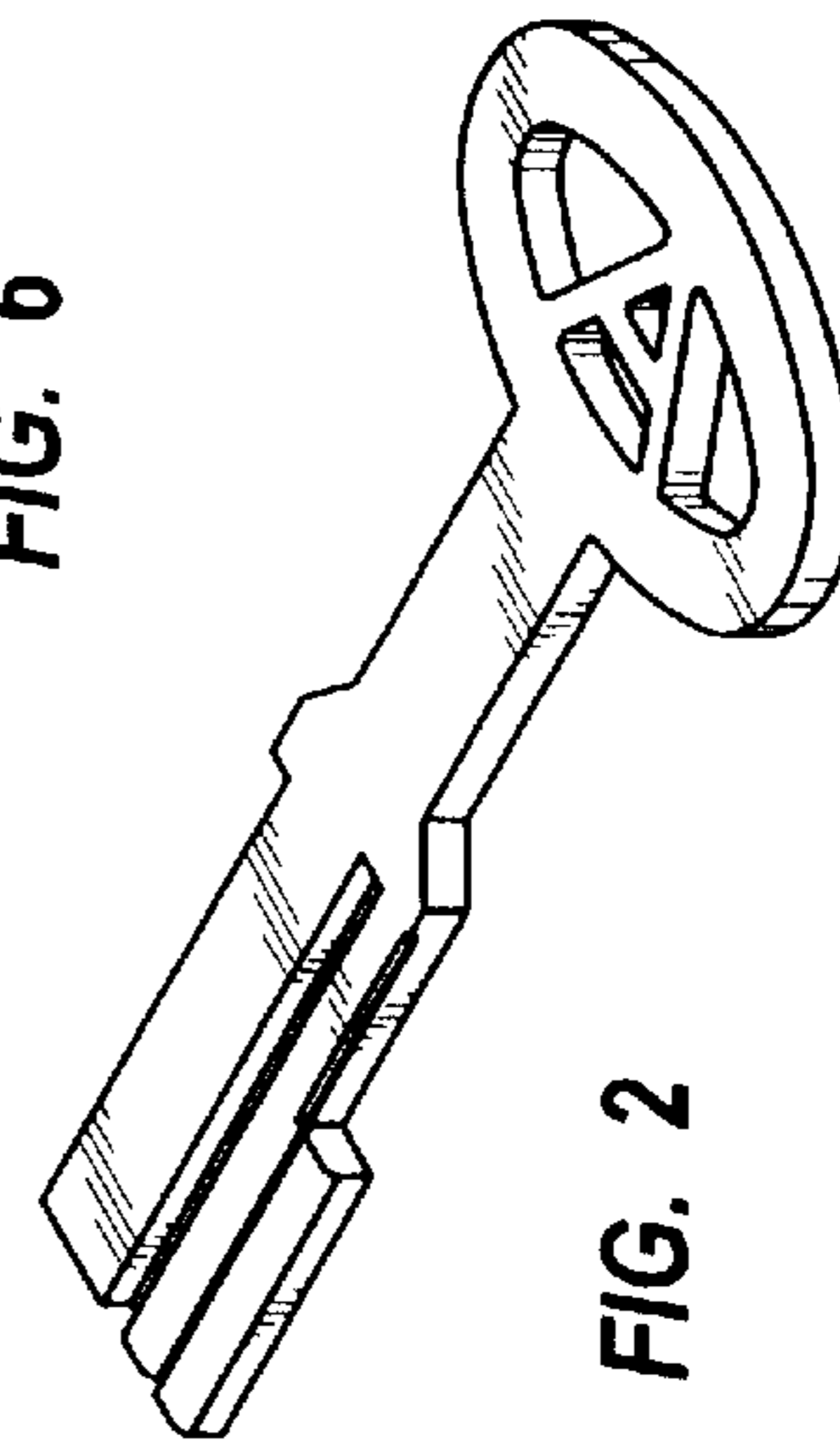


FIG. 2



FIG. 7



FIG. 8



US00D533765C1

(12) **EX PARTE REEXAMINATION CERTIFICATE** (6469th)
United States Patent
Daugherty

(10) **Number:** **US D533,765 C1**
(45) **Certificate Issued:** **Oct. 7, 2008**

(54) **KEY**

(75) **Inventor:** **Eugene F. Daugherty**, San Antonio, TX (US)

(73) **Assignee:** **Southern Folger Detention Equipment Company, LLC**, San Antonio, TX (US)

Reexamination Request:

No. 90/008,719, Jun. 15, 2007

Reexamination Certificate for:

Patent No.: **Des. 533,765**
Issued: **Dec. 19, 2006**
Appl. No.: **29/256,446**
Filed: **Mar. 21, 2006**

- (51) **LOC (8) Cl.** **08-07**
- (52) **U.S. Cl.** **D8/347**
- (58) **Field of Classification Search** D8/347,
D8/348; 70/271, 278.2, 336, 344, 347, 348,
70/357, 402-414

See application file for complete search history.

(56) **References Cited**

U.S. PATENT DOCUMENTS

444,885	A	*	1/1891	Hyatt	70/81
D51,619	S	*	12/1917	Vance	D8/347
3,863,473	A	*	2/1975	Neale	70/186
D532,283	S		11/2006	Daugherty		
D532,286	S		11/2006	Daugherty		
D532,676	S		11/2006	Daugherty		
D532,677	S		11/2006	Daugherty		
D533,439	S		12/2006	Daugherty		
2004/0016273	A1	*	1/2004	Keller	70/409

OTHER PUBLICATIONS

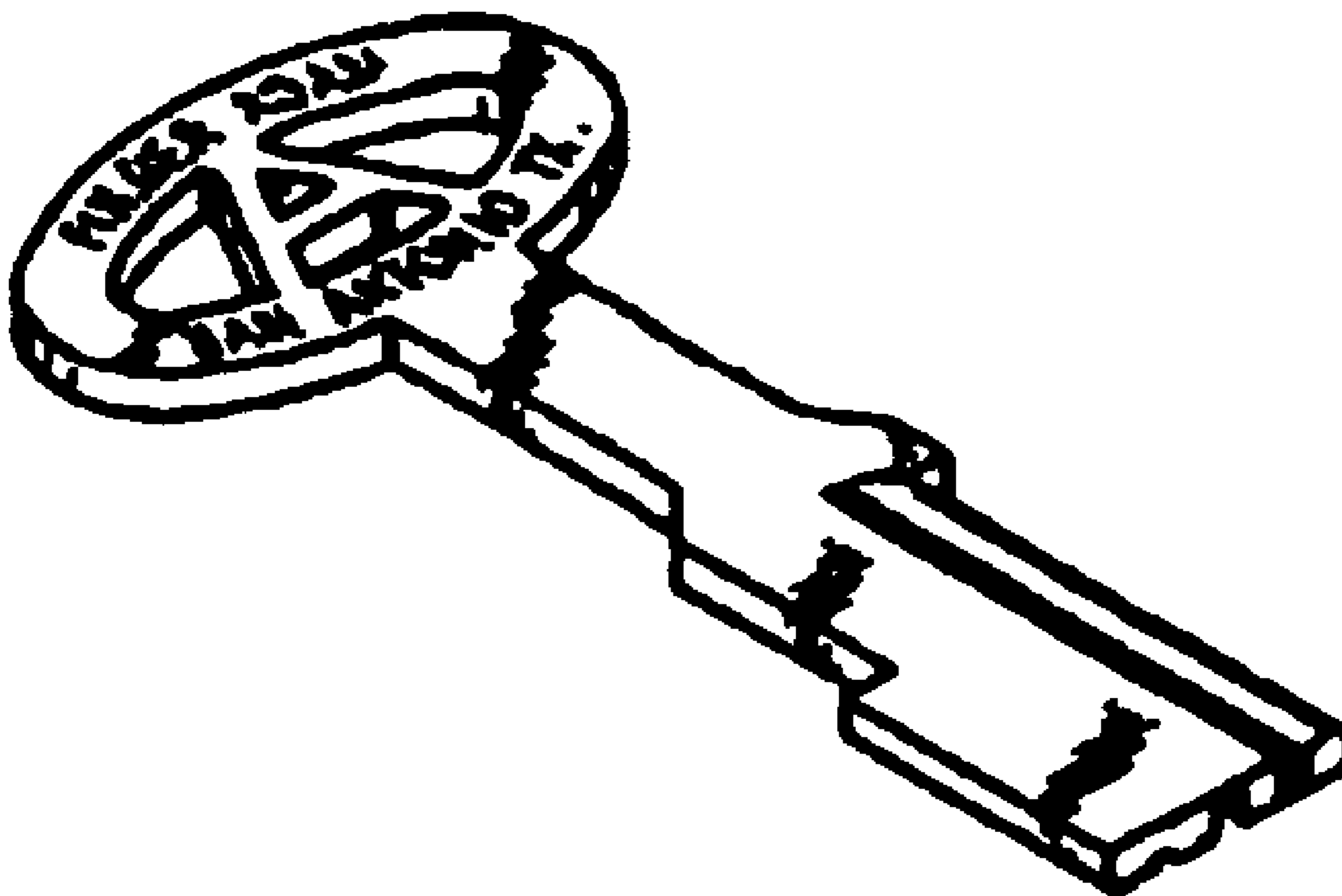
An Open Letter to Detention Professionals, Correctional News, Jan./Feb. 2005, p. 10, Emlen Publications, Inc./Emlen Media, Inc., San Rafael, CA 94901.

Folger Adam Co. Security Equipment Institutional Hardware, May 1968, at 5.

Folger Adam Security, Inc., Price List DE2002, Jun. 1, 2002, at 10 and 12.

* cited by examiner

Primary Examiner—Selina Sikder



**EX PARTE
REEXAMINATION CERTIFICATE
ISSUED UNDER 35 U.S.C. 307**

The sole claim is cancelled.

[The ornamental design for a key, as shown.]

AS A RESULT OF REEXAMINATION, IT HAS BEEN
DETERMINED THAT:

* * * * *