



US00D533764S

(12) **United States Design Patent**  
**Heppner**

(10) **Patent No.:** **US D533,764 S**

(45) **Date of Patent:** **\*\* Dec. 19, 2006**

(54) **LOCK SHACKLE**

(75) Inventor: **John Heppner**, Kenosha, WI (US)

(73) Assignee: **Master Lock Company**, Oak Creek, WI (US)

(\*\*) Term: **14 Years**

(21) Appl. No.: **29/244,549**

(22) Filed: **Dec. 7, 2005**

**Related U.S. Application Data**

(63) Continuation of application No. 29/177,321, filed on Mar. 7, 2003.

(51) **LOC (8) Cl.** ..... **08-07**

(52) **U.S. Cl.** ..... **D8/343; D8/334**

(58) **Field of Classification Search** ..... D8/330,  
D8/331, 333, 334, 343, 499; 70/14, 18, 24,  
70/20, 25, 26, 32, 34, 35, 38 A, 38 B, 38 C,  
70/53

See application file for complete search history.

(56) **References Cited**

**U.S. PATENT DOCUMENTS**

526,740 A	10/1894	Rapaport	70/25
568,701 A	* 9/1896	Roberts	70/37
D32,638 S	5/1900	Voight	
661,560 A	11/1900	Stall	70/26
666,231 A	1/1901	Lawson	70/20
767,004 A	8/1904	Muchowicz	70/39
1,016,455 A	2/1912	Stone	70/38 B
1,455,770 A	5/1923	Anderson	
1,629,388 A	5/1927	Jackson	70/50
1,777,424 A	10/1930	Mack	70/26
3,395,555 A	8/1968	Hickman	

D212,170 S	9/1968	Owen	
3,626,729 A	12/1971	Fane	
3,830,085 A	8/1974	Gerlach	
5,253,496 A	10/1993	Wang	
5,372,019 A	12/1994	Hsiao	70/38 A
D360,125 S	7/1995	Taylor	
D392,540 S	3/1998	McDaid	
5,727,405 A	3/1998	Cromwell	70/38 B
D408,261 S	4/1999	Gregory	
D433,310 S	11/2000	Luquire	
D433,311 S	11/2000	Luquire	
D454,486 S	3/2002	Striebel	
6,530,248 B1 *	3/2003	Parker	70/14
D484,777 S	1/2004	Ruan	
D489,244 S *	5/2004	Vito	D8/343
D491,044 S *	6/2004	Vito	D8/343

\* cited by examiner

*Primary Examiner*—Prabhakar Deshmukh

(74) *Attorney, Agent, or Firm*—Calfee, Halter, & Griswold LLP

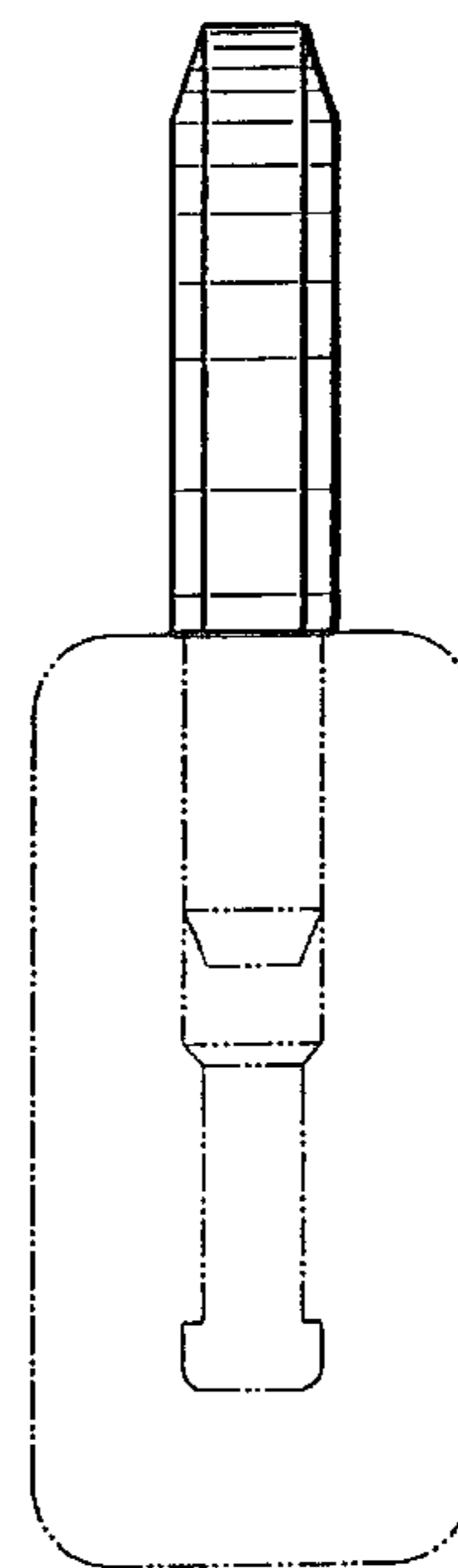
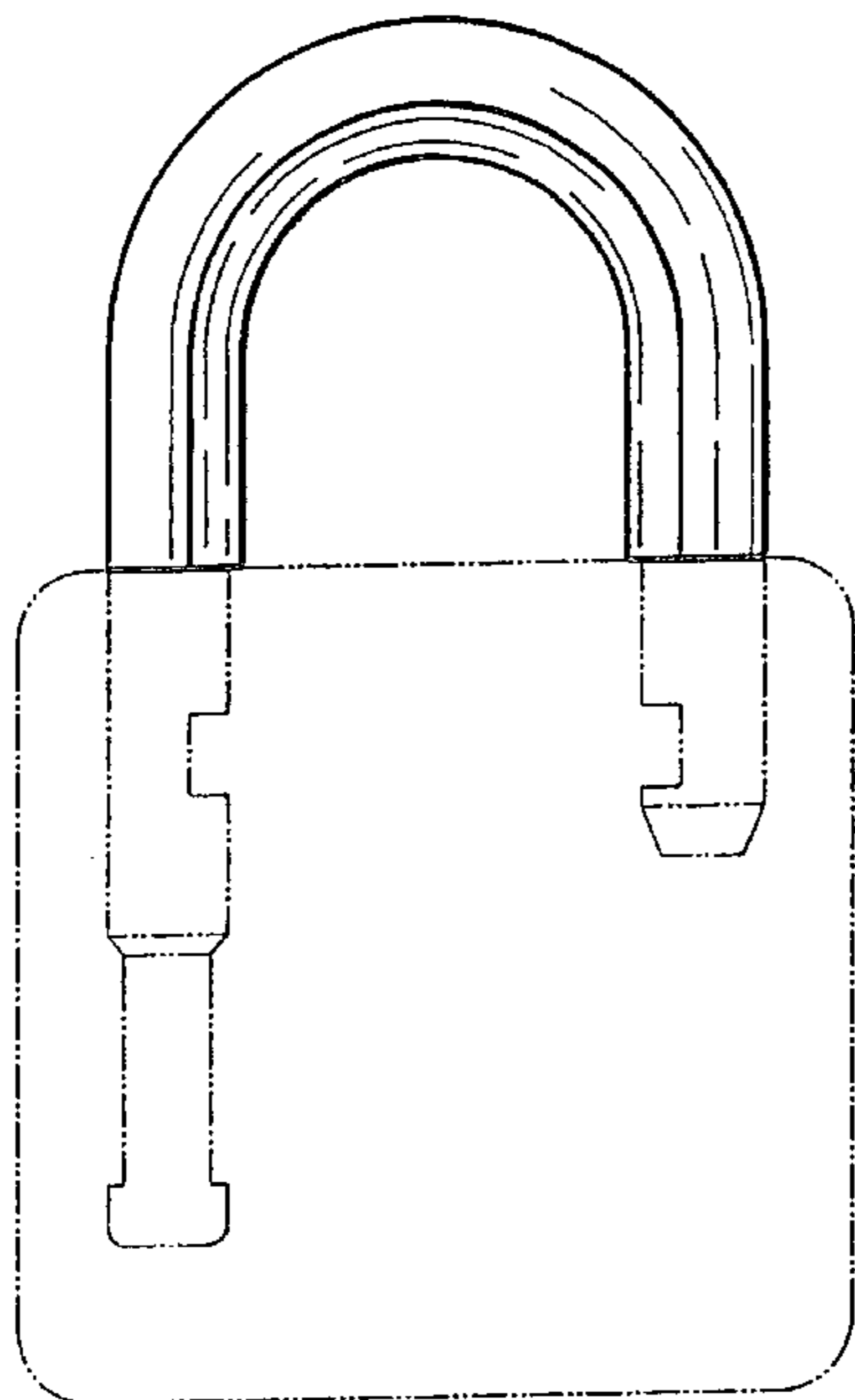
(57) **CLAIM**

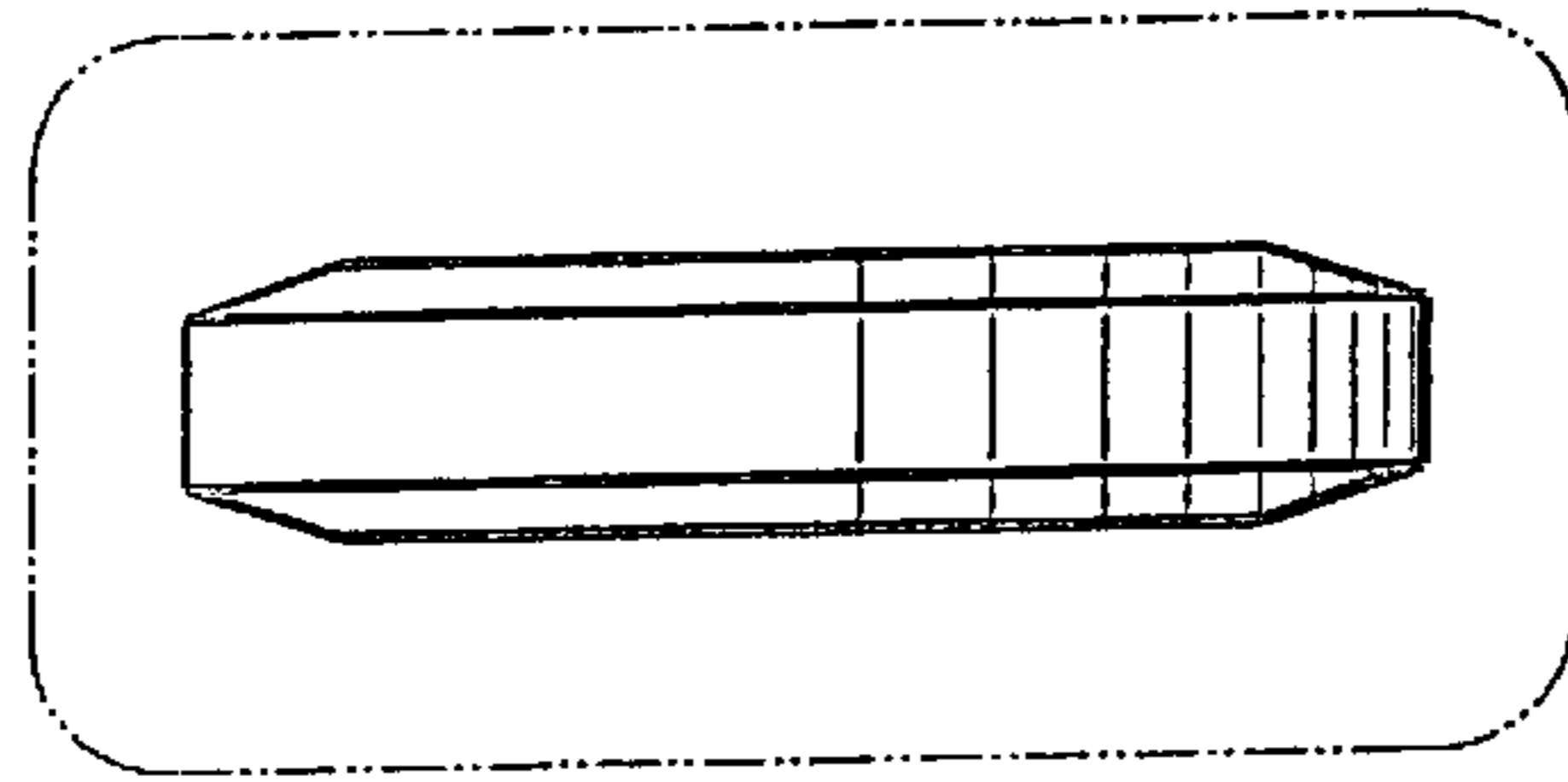
The ornamental design for a lock shackle, as shown and described.

**DESCRIPTION**

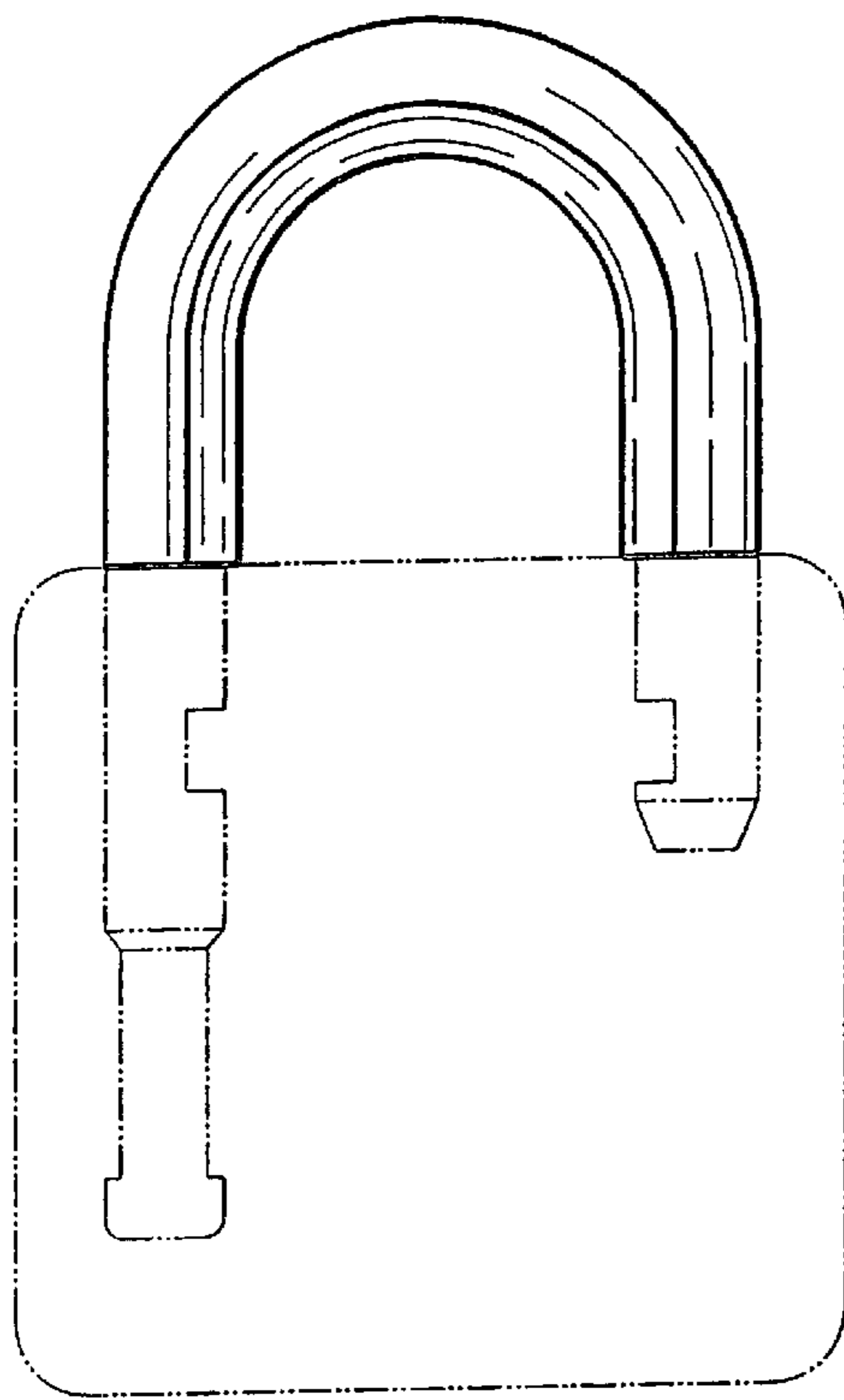
FIG. 1 is a top view of a lock shackle with five flat sides; FIG. 2 is a side view of the lock shackle shown in FIG. 1, wherein each side is a mirror of the other; FIG. 3 is a front view of the lock shackle of FIG. 1, wherein the front view and the back view are mirror images of each other; and, FIG. 4 is a bottom view of the lock shackle of FIG. 1. The portions of the Figures shown in phantom lines are not part of the claimed design but are for illustration only.

**1 Claim, 1 Drawing Sheet**

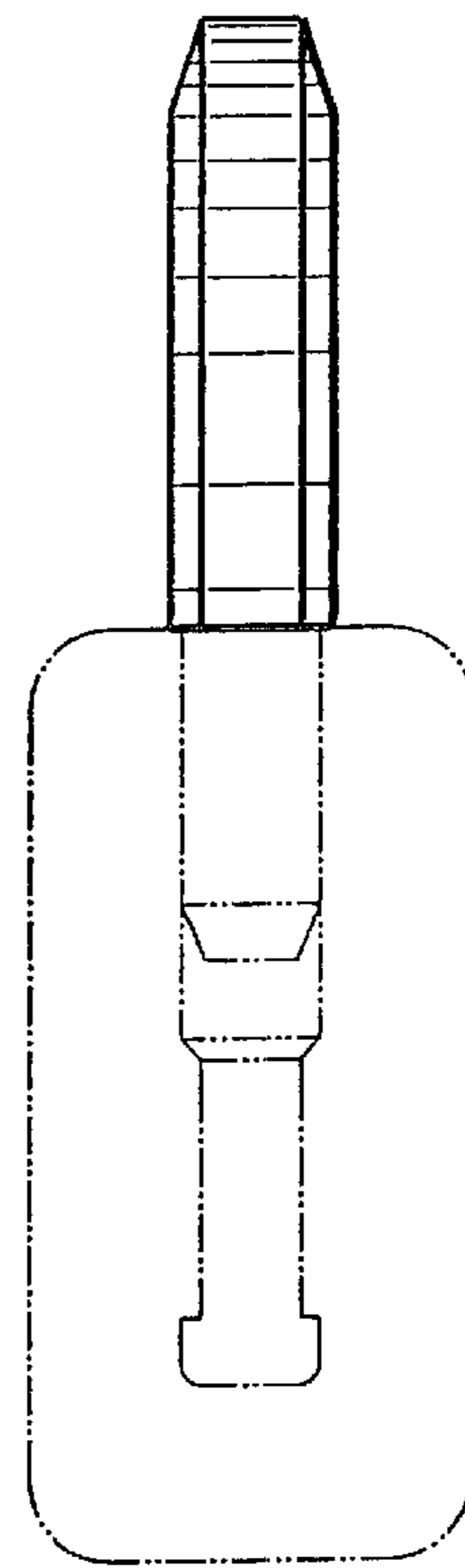




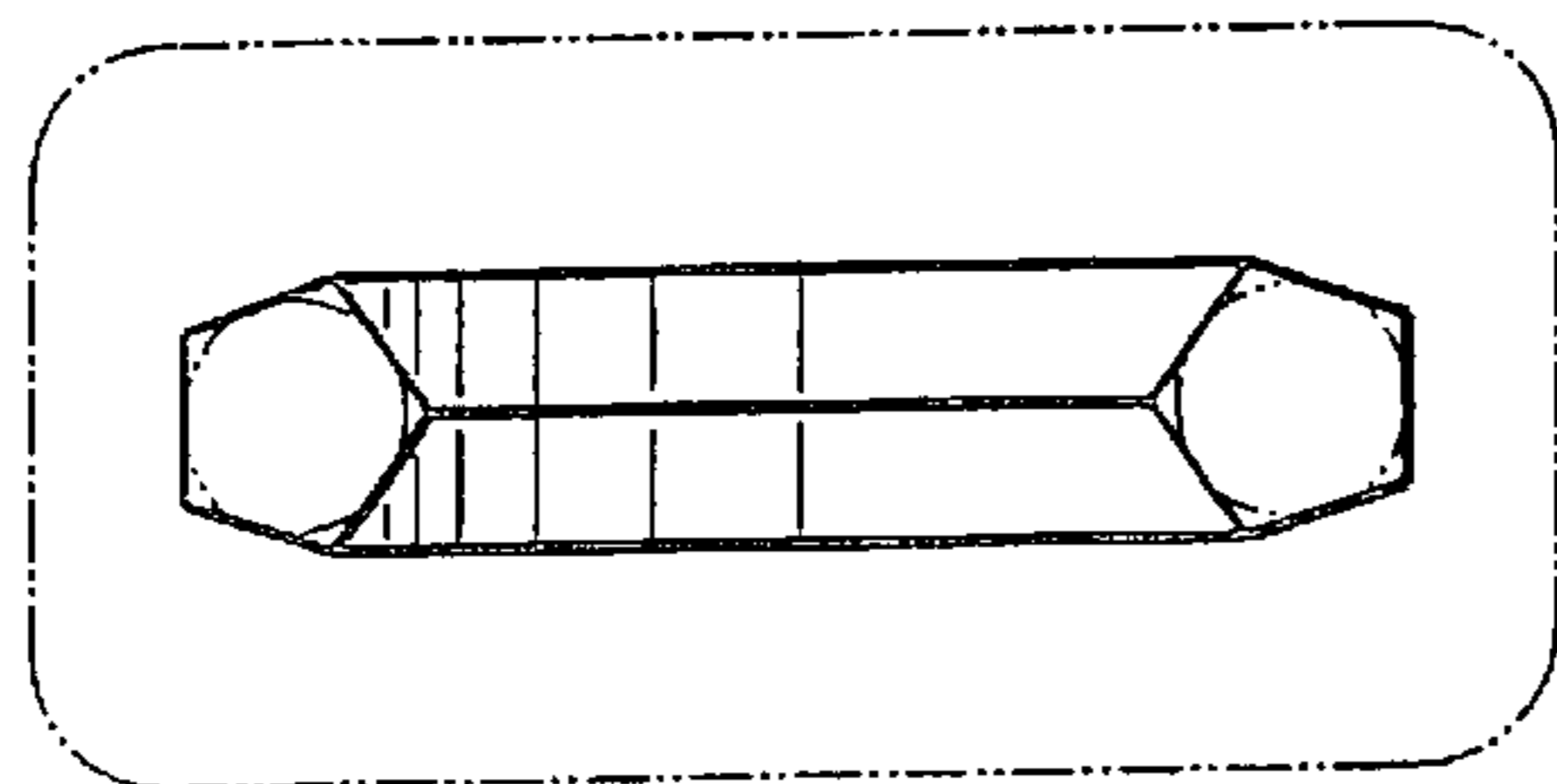
*Fig. 1*



*Fig. 2*



*Fig. 3*



*Fig. 4*