



US00D533762S

(12) **United States Design Patent** (10) **Patent No.:** **US D533,762 S**
Wright et al. (45) **Date of Patent:** **** Dec. 19, 2006**

(54) **LOCK**

(75) Inventors: **Michael J. Wright**, Santa Ana, CA (US); **Charles W. Moon**, Colorado Springs, CO (US); **Ernst K. Mitchell**, Sterling Heights, MI (US); **Dale Mathias**, Laguna Niguel, CA (US)

(73) Assignee: **Computerized Security Systems, Inc.**, Troy, MI (US)

(**) Term: **14 Years**

(21) Appl. No.: **29/236,186**

(22) Filed: **Aug. 12, 2005**

(51) **LOC (8) Cl.** **08-07**

(52) **U.S. Cl.** **D8/330**; D8/339

(58) **Field of Classification Search** D8/330,
D8/331, 339, 341, 343, 344, 301, 302; 70/91,
70/102, 104, 106, 129, 107, 207, 214, 224,
70/448-452, DIG. 67; 292/32-36, 137, 166-168,
292/173

See application file for complete search history.

(56) **References Cited**

U.S. PATENT DOCUMENTS

- 4,637,237 A * 1/1987 Witkoski et al. 70/285
4,873,853 A * 10/1989 Foshee 70/452
D358,540 S * 5/1995 Trempala D8/330

- D365,744 S * 1/1996 Leung D8/331
5,586,796 A * 12/1996 Fraser 292/346
D380,136 S * 6/1997 Denzer, Jr. D8/341
D381,253 S * 7/1997 Guidotti D8/331
5,787,741 A * 8/1998 Shen 70/107
5,881,585 A * 3/1999 Kang 70/107
5,987,945 A * 11/1999 Ruano Aramburu 70/277
6,526,787 B1 * 3/2003 Ming-Chih 70/107
6,581,426 B1 * 6/2003 Bates et al. 70/278.7
D501,131 S * 1/2005 Oskamp D8/331

* cited by examiner

Primary Examiner—Prabhakar Deshmukh

(74) *Attorney, Agent, or Firm*—Kwadjo Adusei-Poku; Lloyd D. Doigan

(57) **CLAIM**

The ornamental design for a lock, as shown and described.

DESCRIPTION

FIG. 1 is a front perspective view of a lock showing our design;

FIG. 2 is a top plan view thereof;

FIG. 3 is a bottom plan view thereof;

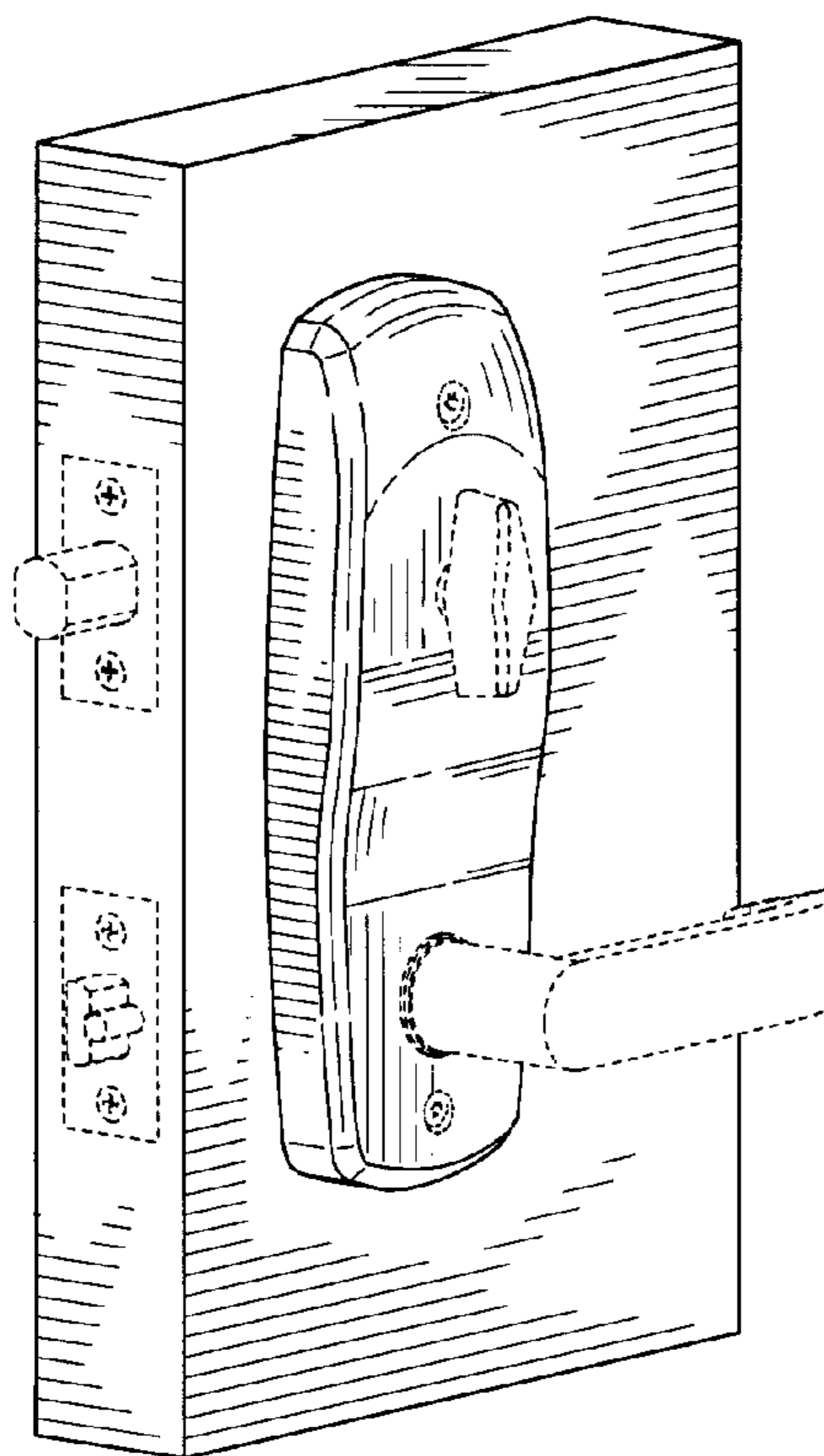
FIG. 4 is a front elevational view thereof;

FIG. 5 is a right side elevational view thereof; and,

FIG. 6 is a left side elevational view thereof.

The broken lines in the Figures are for illustrative purposes only and form no part of the claimed design.

1 Claim, 6 Drawing Sheets



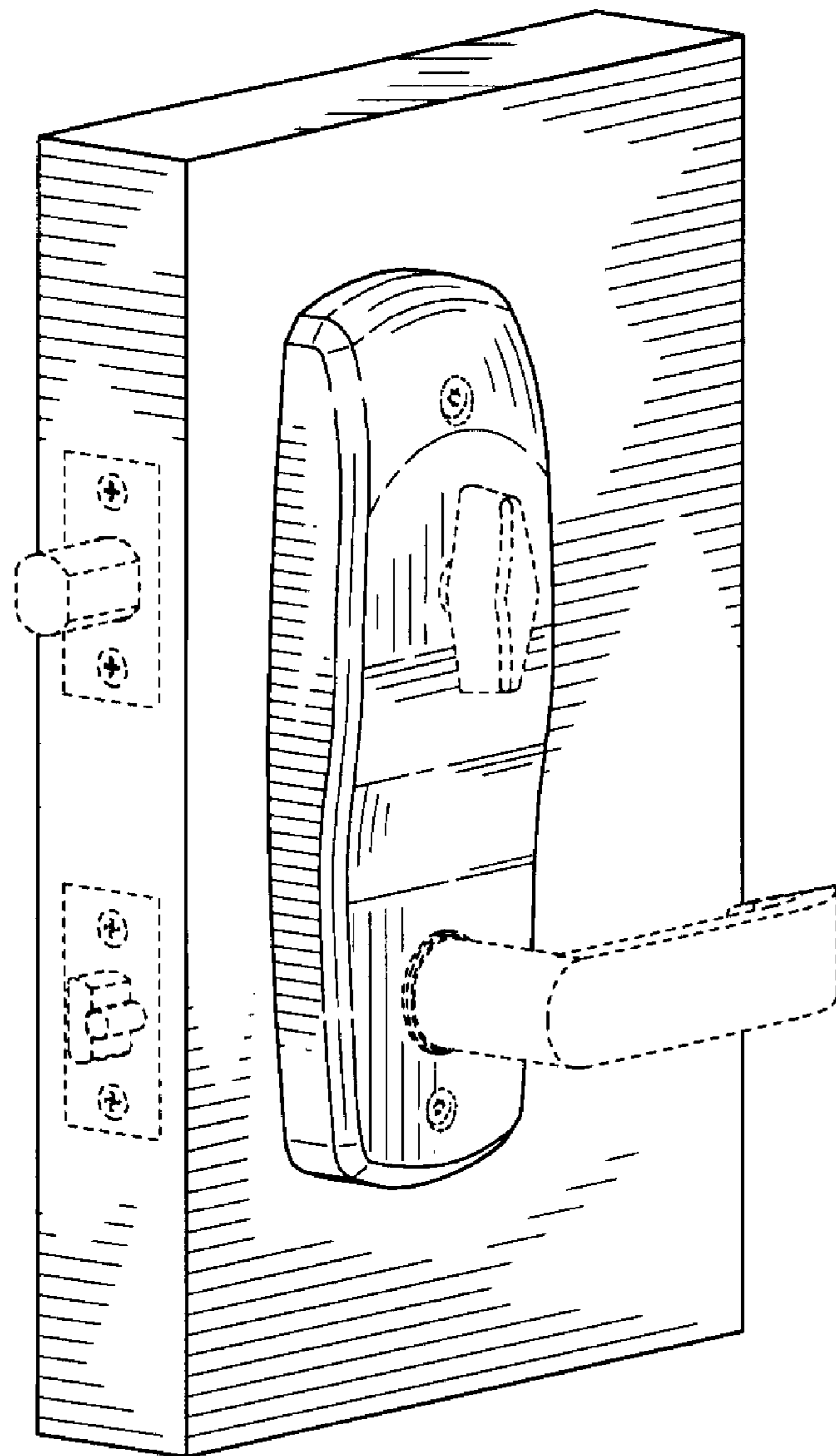


FIG. 1

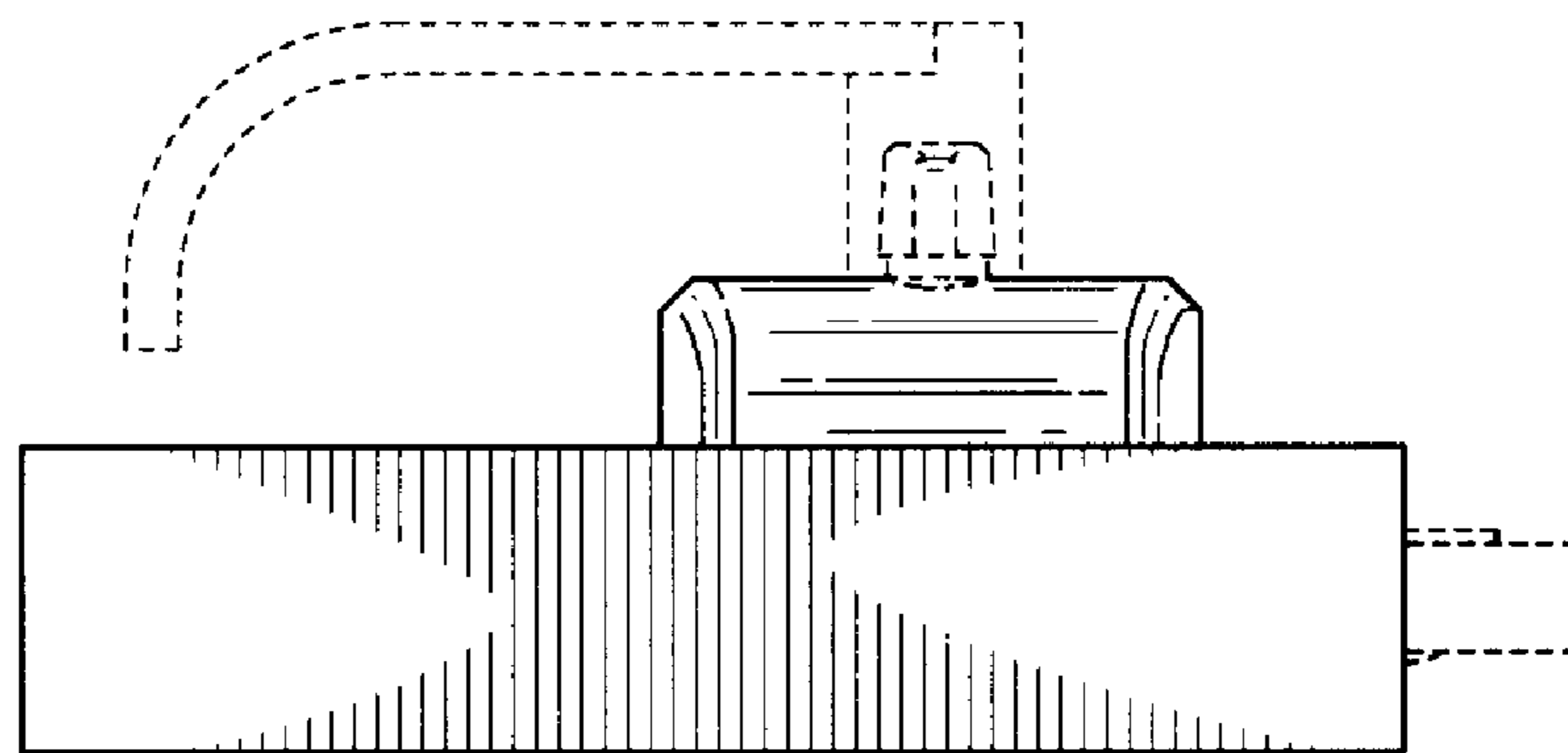


FIG. 2

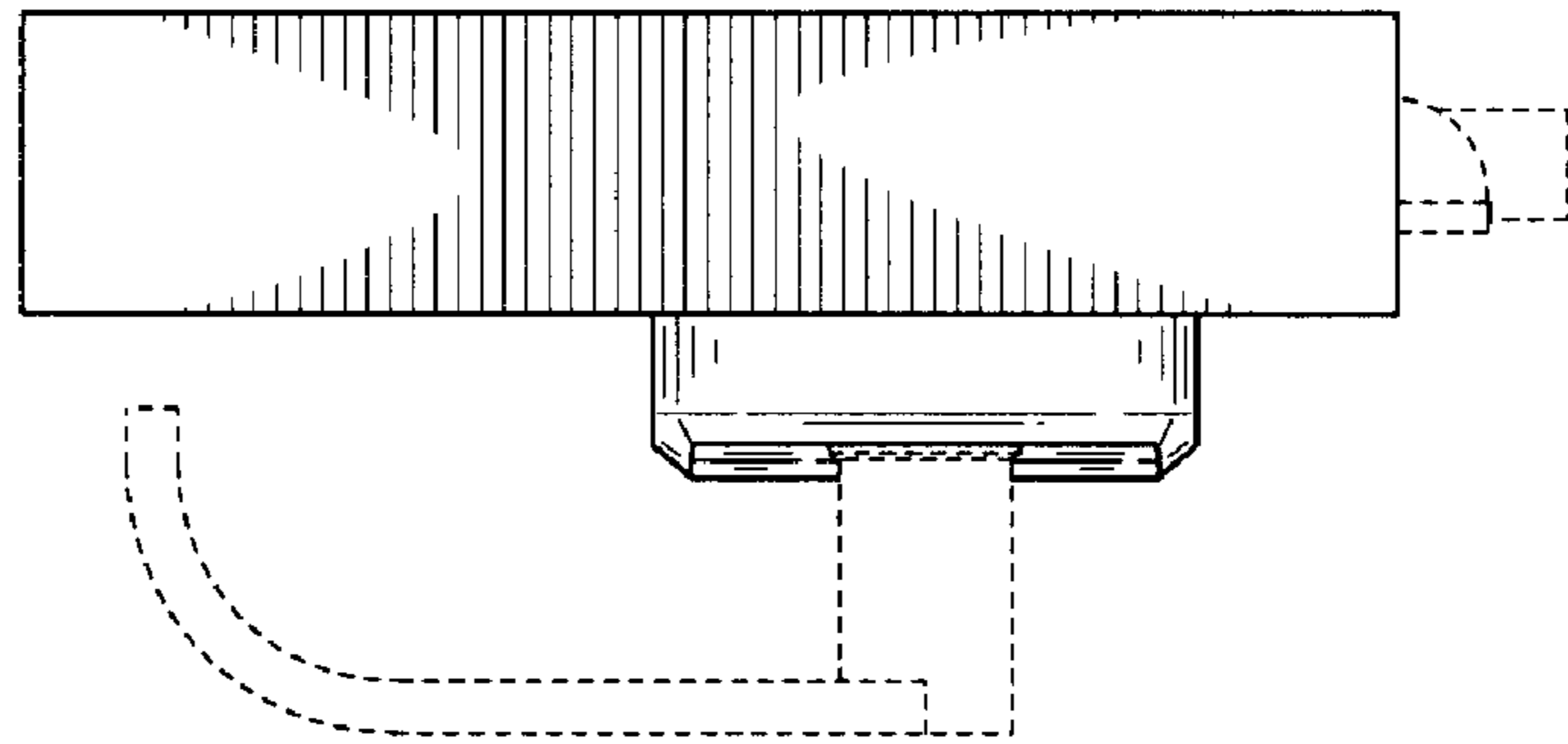


FIG. 3

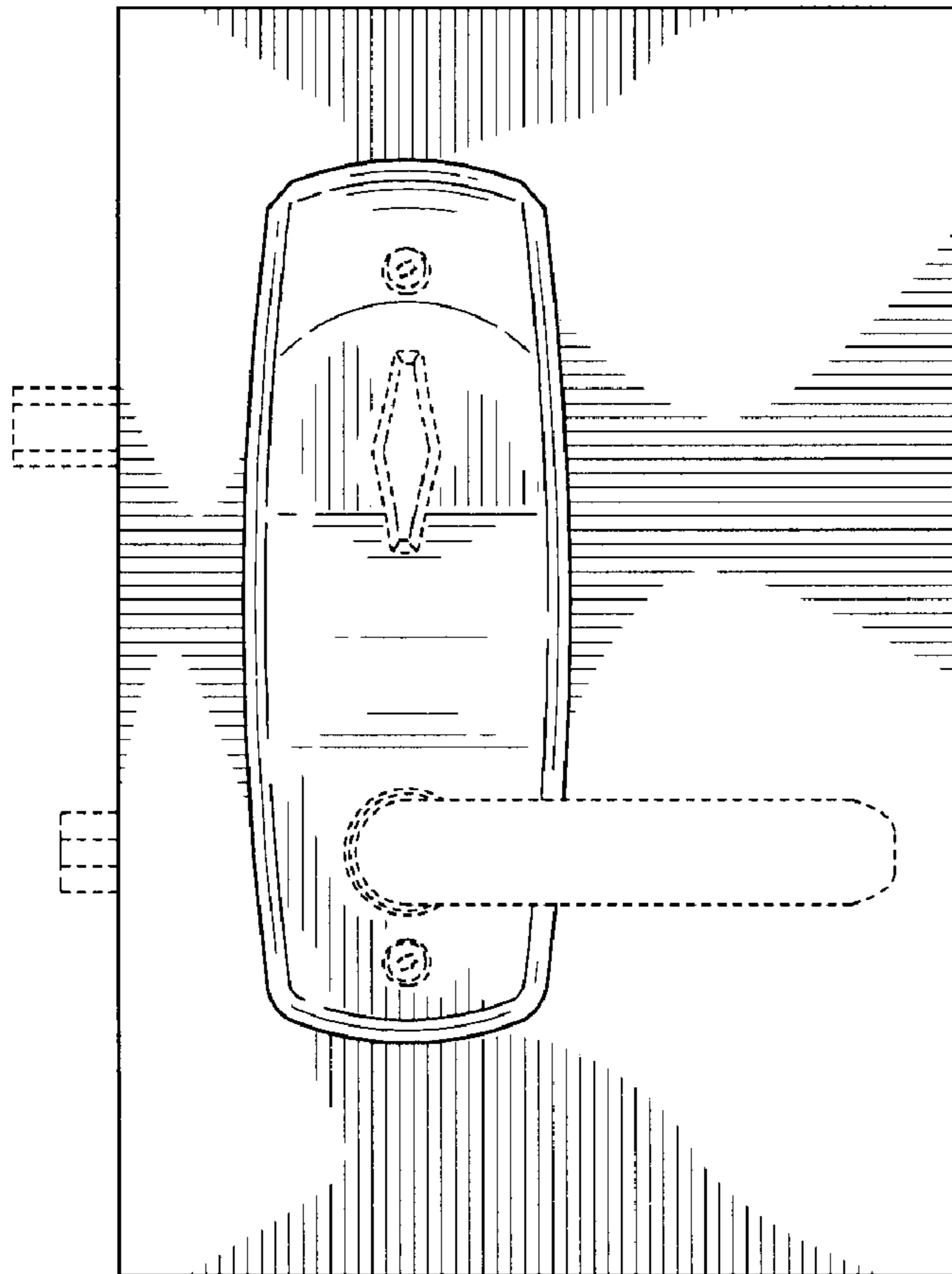


FIG. 4

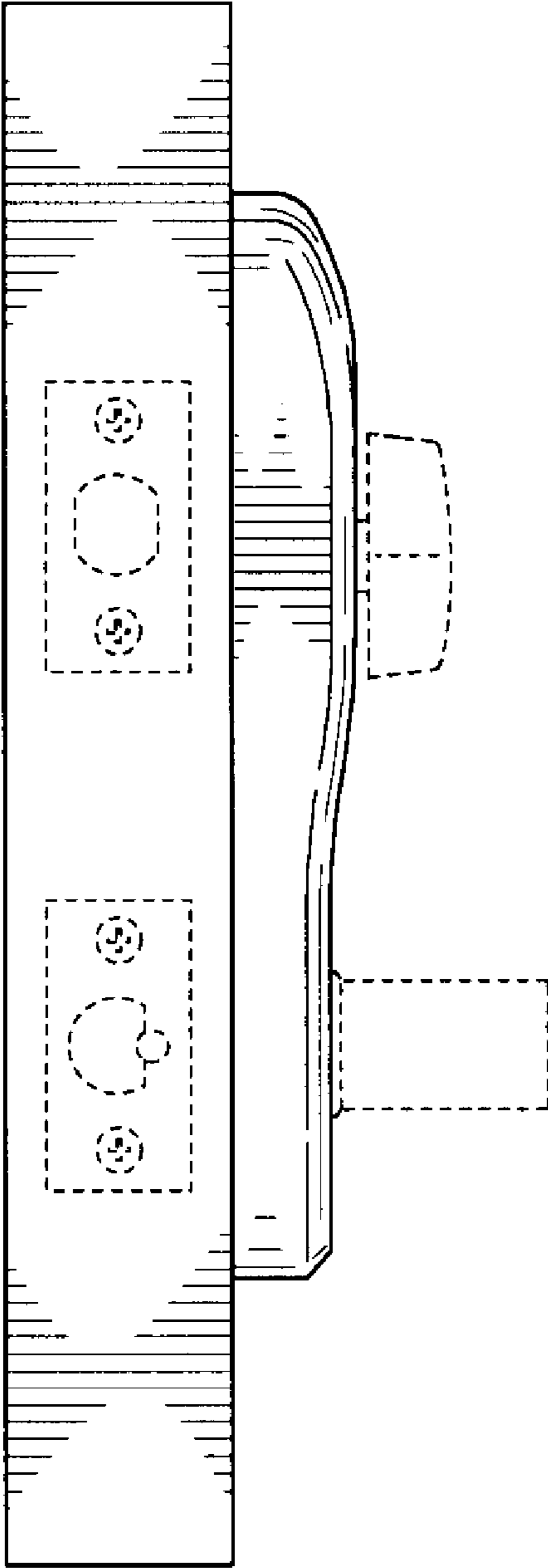


FIG. 5

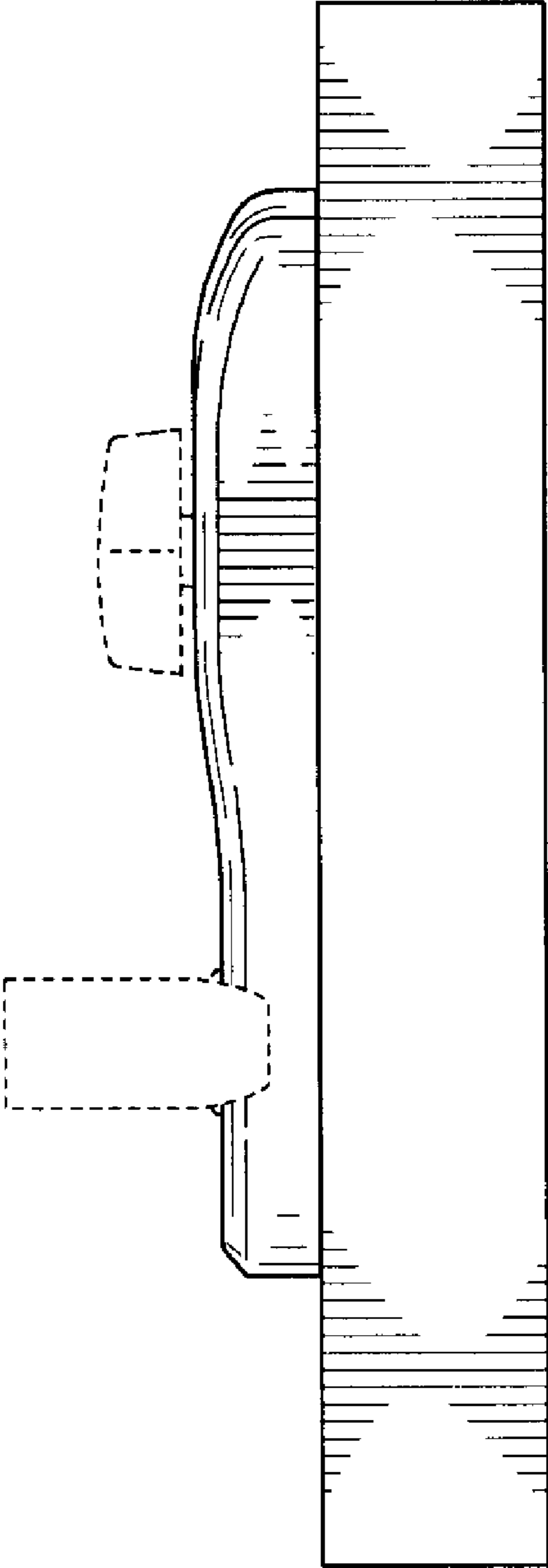


FIG. 6