



US00D533758S

(12) **United States Design Patent**
Waldron

(10) **Patent No.:** **US D533,758 S**

(45) **Date of Patent:** **** Dec. 19, 2006**

(54) **POWERED ROTARY TOOL**

(75) Inventor: **Michael Waldron**, Pocklington (GB)

(73) Assignee: **Gmca Pty Ltd.**, Victoria (AU)

(**) Term: **14 Years**

(21) Appl. No.: **29/244,491**

(22) Filed: **Dec. 9, 2005**

(30) **Foreign Application Priority Data**

Nov. 18, 2005 (EM) 000435474

(51) **LOC (8) Cl.** **08-05**

(52) **U.S. Cl.** **D8/68**

(58) **Field of Classification Search** D8/14.1,
D8/61, 62, 63, 64, 65, 66, 67, 68, 69, 70;
81/57.11, 429, 464, 465, 466, 469, 489; 173/13,
173/104, 114, 168, 169, 170, 171, 178, 201,
173/211, 213, 217; 408/20, 124, 125, 234,
408/241 R; 451/358; 310/50; 227/8, 113,
227/114, 120, 130, 136, 142

See application file for complete search history.

(56) **References Cited**

U.S. PATENT DOCUMENTS

3,352,368 A * 11/1967 Maffey, Jr. 310/50
D379,910 S * 6/1997 Hannen et al. D8/68
D403,936 S * 1/1999 Somers D8/68
D404,626 S * 1/1999 Hall et al. D8/68
D412,273 S * 7/1999 Chung D8/62

D414,668 S * 10/1999 Duennes et al. D8/68
D437,758 S * 2/2001 Heun D8/61
6,405,807 B1 * 6/2002 Pan 173/104
D509,719 S * 9/2005 Chu D8/61

FOREIGN PATENT DOCUMENTS

GB 2071302 S * 7/1997
GB 2096390 S * 5/2000

* cited by examiner

Primary Examiner—Gary D. Watson

Assistant Examiner—T. Chase Nelson

(74) *Attorney, Agent, or Firm*—Woodard, Emhardt,
Moriarty McNett & Henry LLP

(57) **CLAIM**

The ornamental design for a powered rotary tool, as shown and described.

DESCRIPTION

FIG. 1 is a side view of the powered rotary tool incorporating my new design.

FIG. 2 is a front view.

FIG. 3 is a top view.

FIG. 4 is a side view opposite of the side shown in FIG. 1.

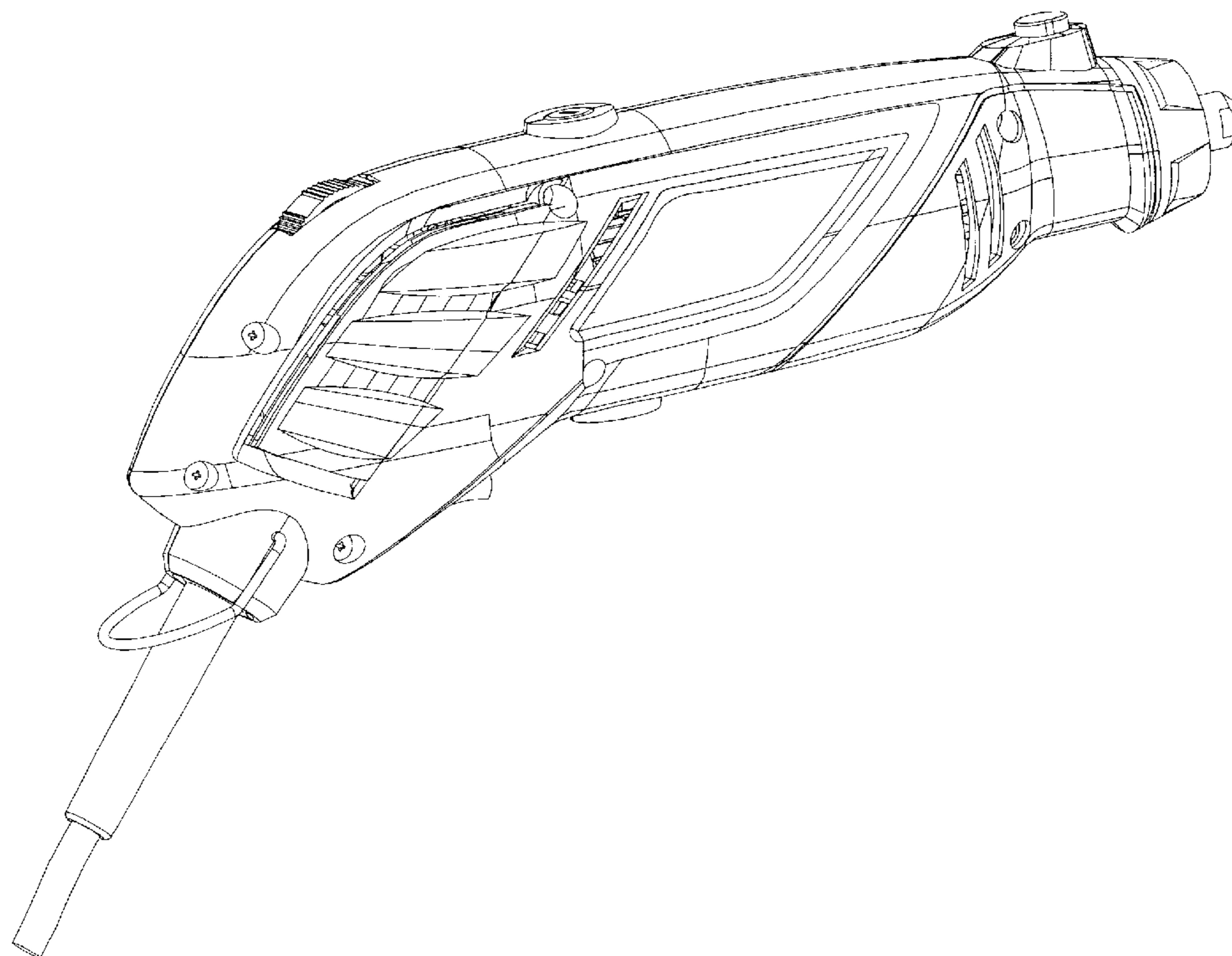
FIG. 5 is a rear view.

FIG. 6 is a bottom view.

FIG. 7 is a top perspective view; and,

FIG. 8 is a top perspective view of the side opposite of FIG. 7.

1 Claim, 4 Drawing Sheets



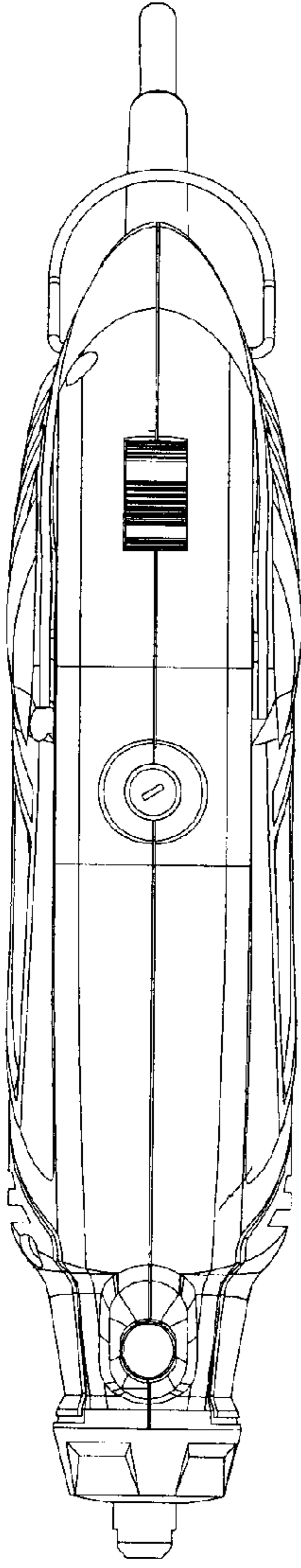


Fig. 3

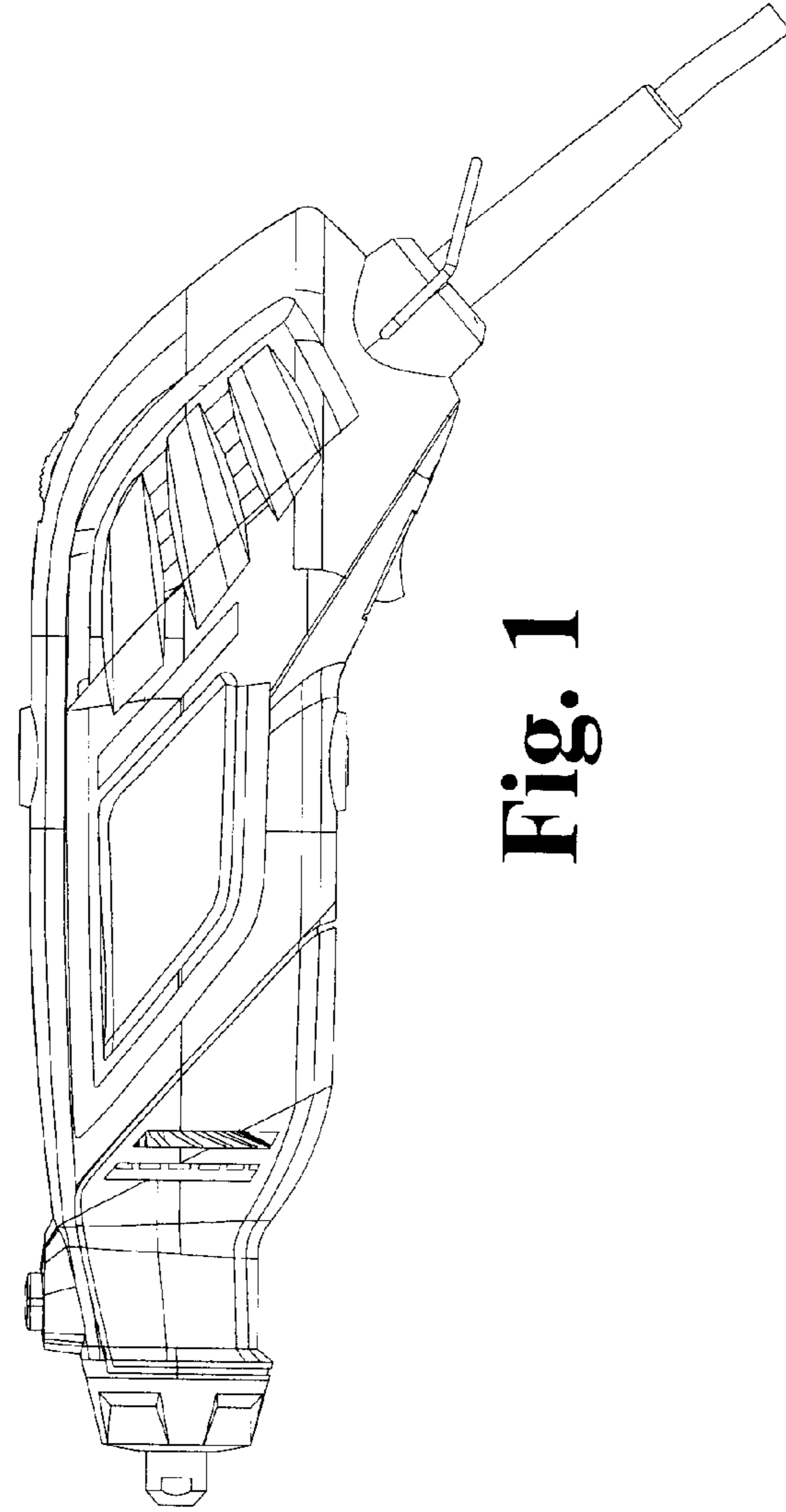


Fig. 1

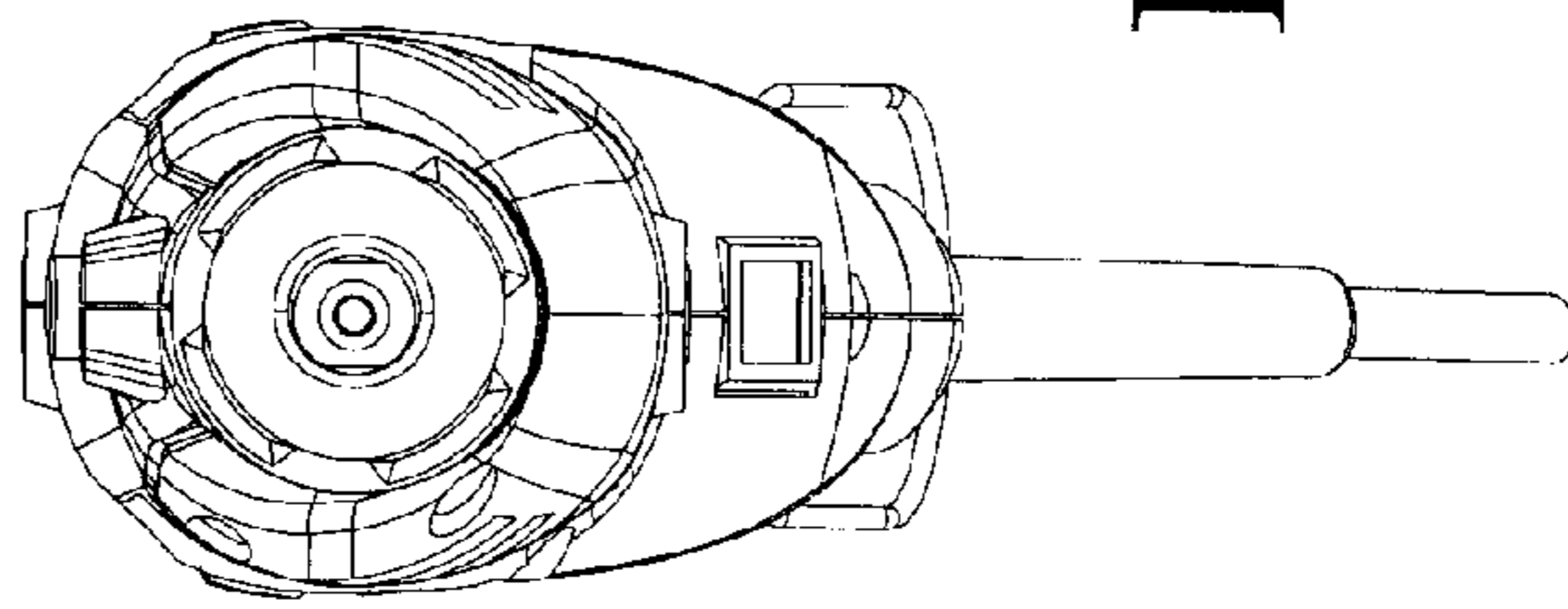


Fig. 2

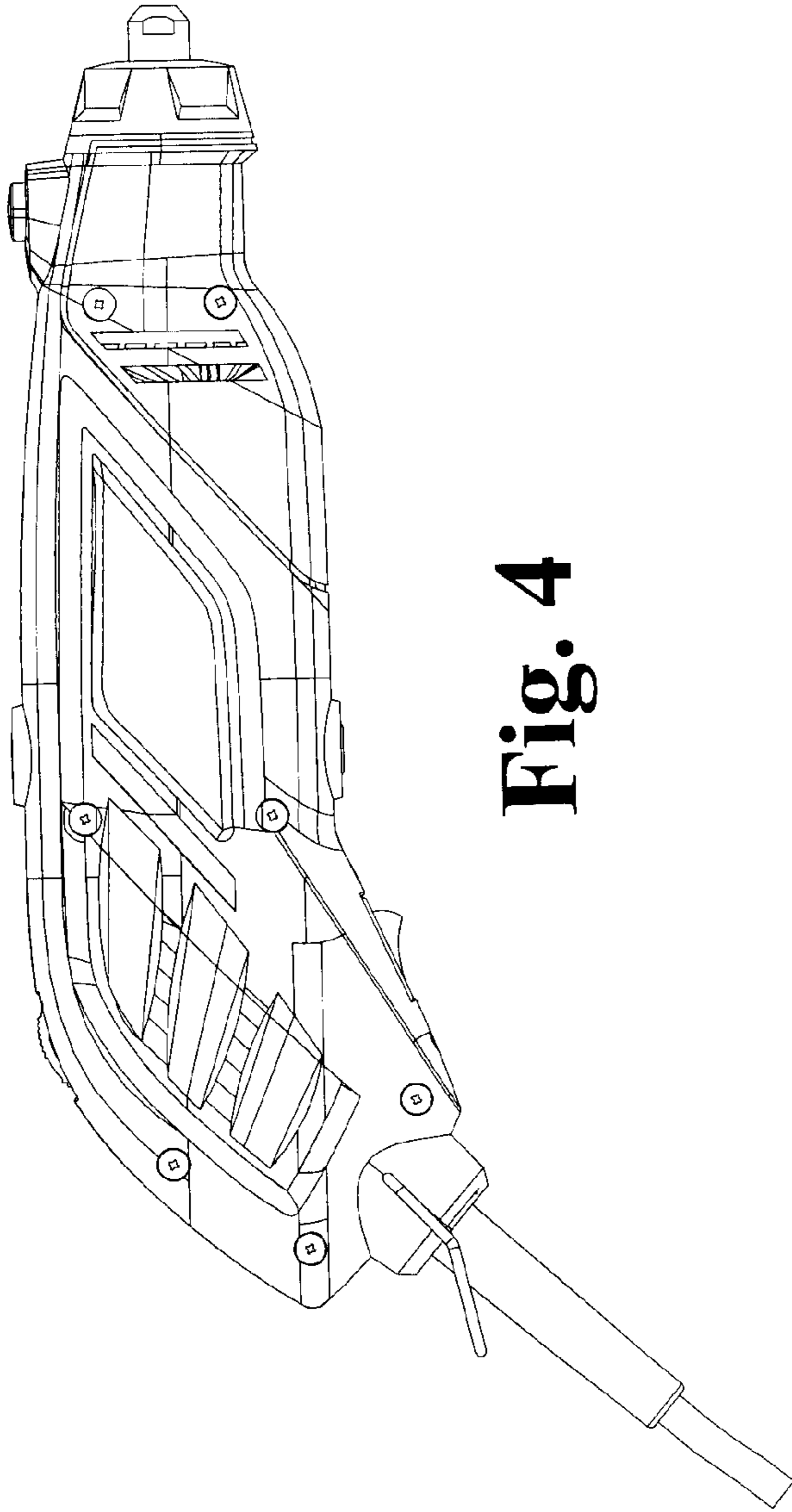


Fig. 4

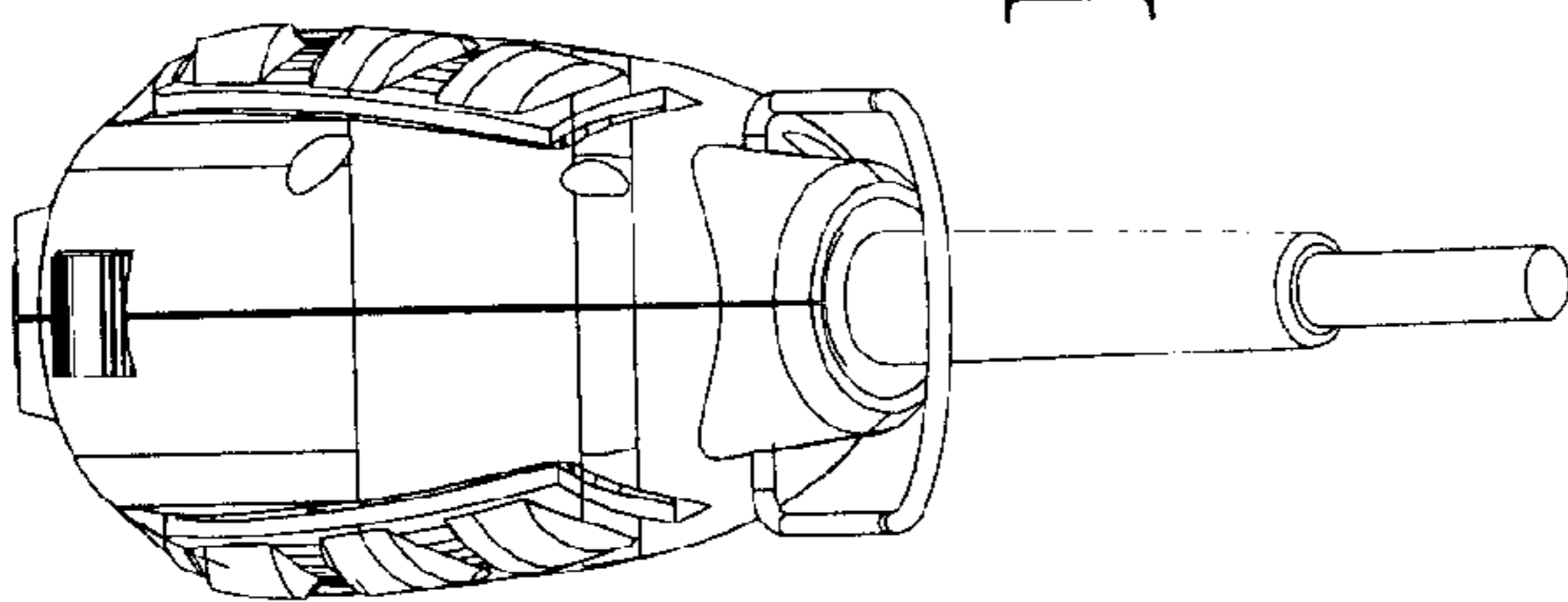


Fig. 5

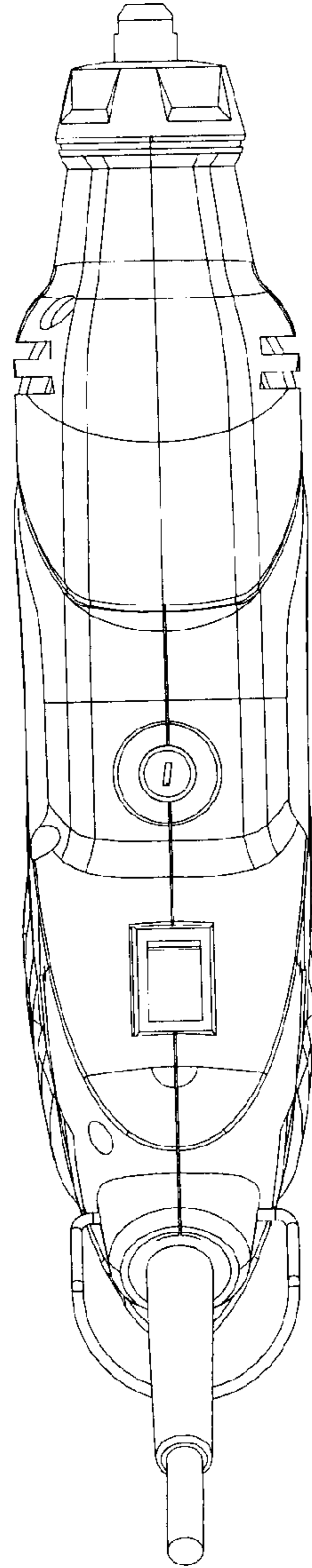


Fig. 6

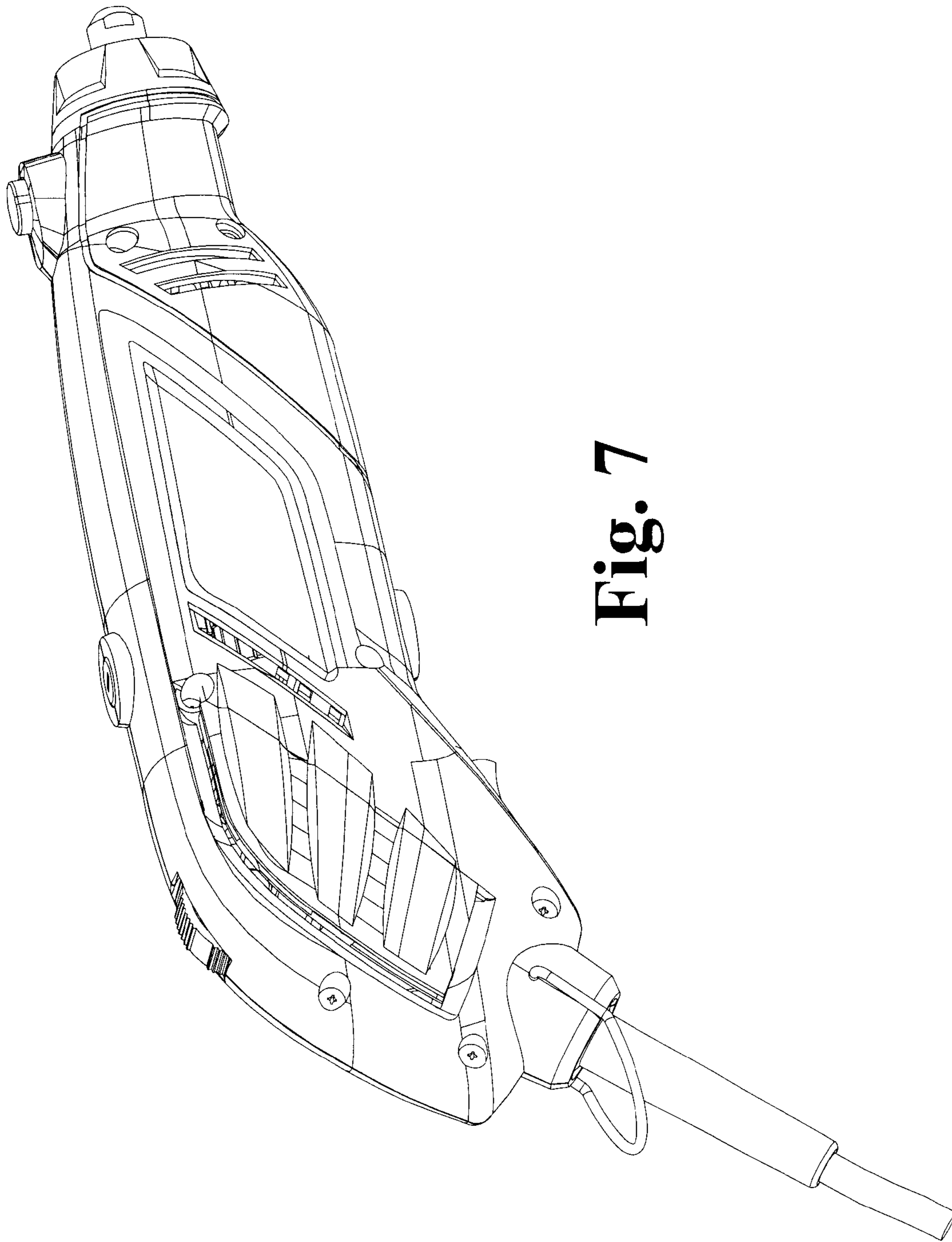


Fig. 7

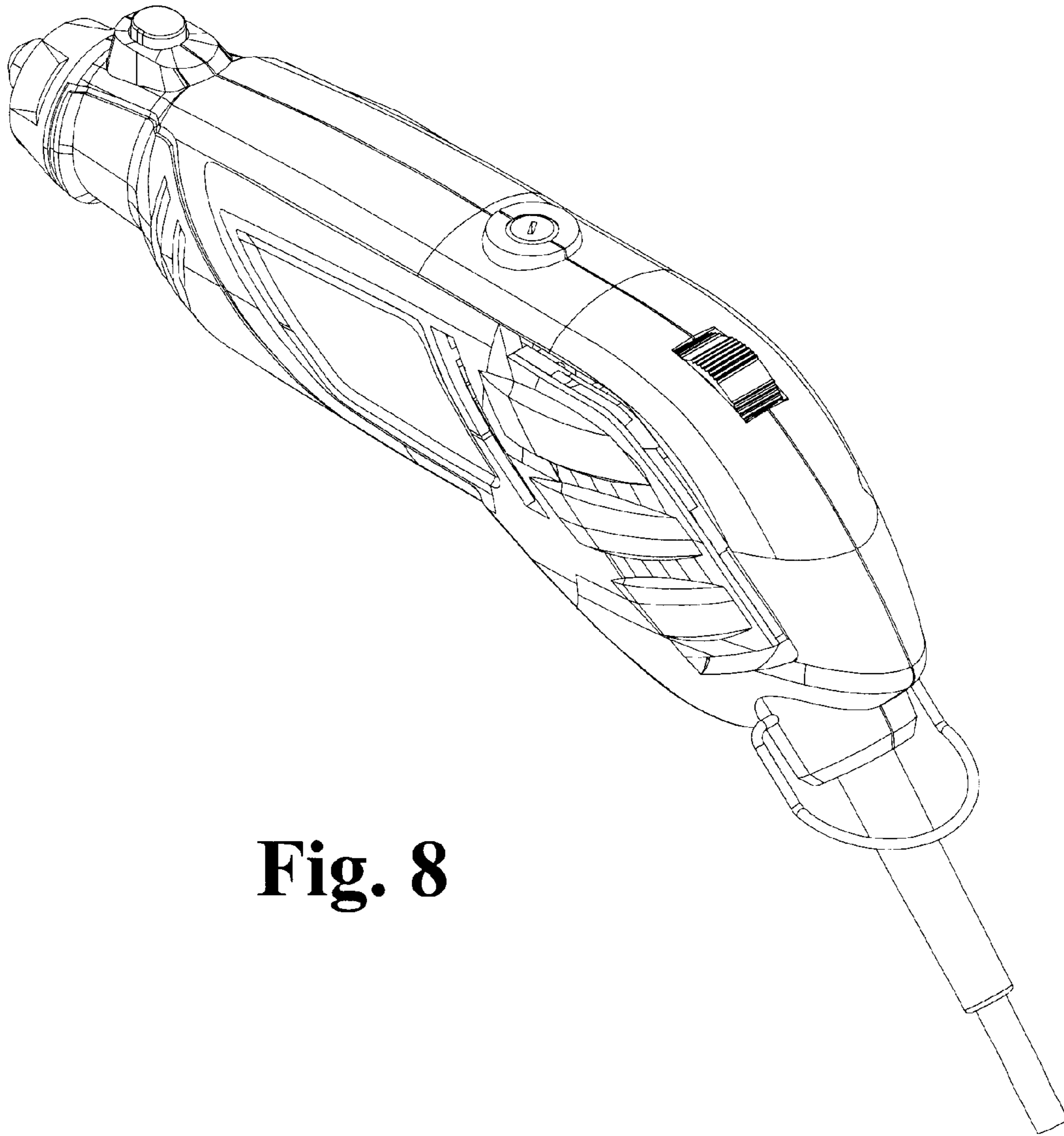


Fig. 8