



US00D533757S

(12) **United States Design Patent**
Arvidsson et al.

(10) **Patent No.:** **US D533,757 S**

(45) **Date of Patent:** **** Dec. 19, 2006**

(54) **POWER CUTTER**

(75) Inventors: **Bengt Arvidsson**, Strömsnäsbruk (SE);
Anders Köhler, Partille (SE); **Anders Reuterberg**, Lerum (SE); **Niklas Sundberg**, Alingsås (SE)

(73) Assignee: **Aktiebolaget Electrolux**, Stockholm (SE)

(**) Term: **14 Years**

(21) Appl. No.: **29/206,997**

(22) Filed: **Jun. 7, 2004**

(30) **Foreign Application Priority Data**

Dec. 5, 2003 (SE) 03-1073

(51) **LOC (8) Cl.** **08-03**

(52) **U.S. Cl.** **D8/66**

(58) **Field of Classification Search** D8/98,
D8/95, 69, 64, 61, 60; D15/127; 125/13.01;
451/450; 30/122, 383, 228, 124
See application file for complete search history.

(56) **References Cited**

U.S. PATENT DOCUMENTS

- 3,583,106 A * 6/1971 Dobbertin 451/358
- D233,307 S * 10/1974 Baycura D8/66
- 4,188,935 A * 2/1980 Tubesing 125/13.01
- 4,809,438 A * 3/1989 Nagashima et al. 30/390
- 5,540,210 A * 7/1996 Jones 125/13.01
- 5,826,478 A * 10/1998 Zerrer 83/169
- 5,855,067 A * 1/1999 Taomo et al. 30/122

- 6,047,693 A * 4/2000 Yamami et al. 125/13.01
- 6,374,501 B1 * 4/2002 Claesson 30/389
- 6,591,826 B1 * 7/2003 Donnerdal 125/13.01
- 2001/0003983 A1 * 6/2001 Iida et al. 125/13.01

OTHER PUBLICATIONS

Web page print out, "TS 510 STIHL Cutquik® cut-off machine", 2 pages.

Web page print out, "TS 760 STIHL cutquik® cut-off machine", 2 pages.

* cited by examiner

Primary Examiner—Cathron C. Brooks

Assistant Examiner—Austin Murphy

(74) *Attorney, Agent, or Firm*—Pearne & Gordon LLP

(57) **CLAIM**

We claim the ornamental design for the power cutter, as shown and described.

DESCRIPTION

FIG. 1 is a perspective view of the new power cutter from the perspective of a user;

FIG. 2 is a right side view thereof;

FIG. 3 is a left side view thereof;

FIG. 4 is a rear view thereof;

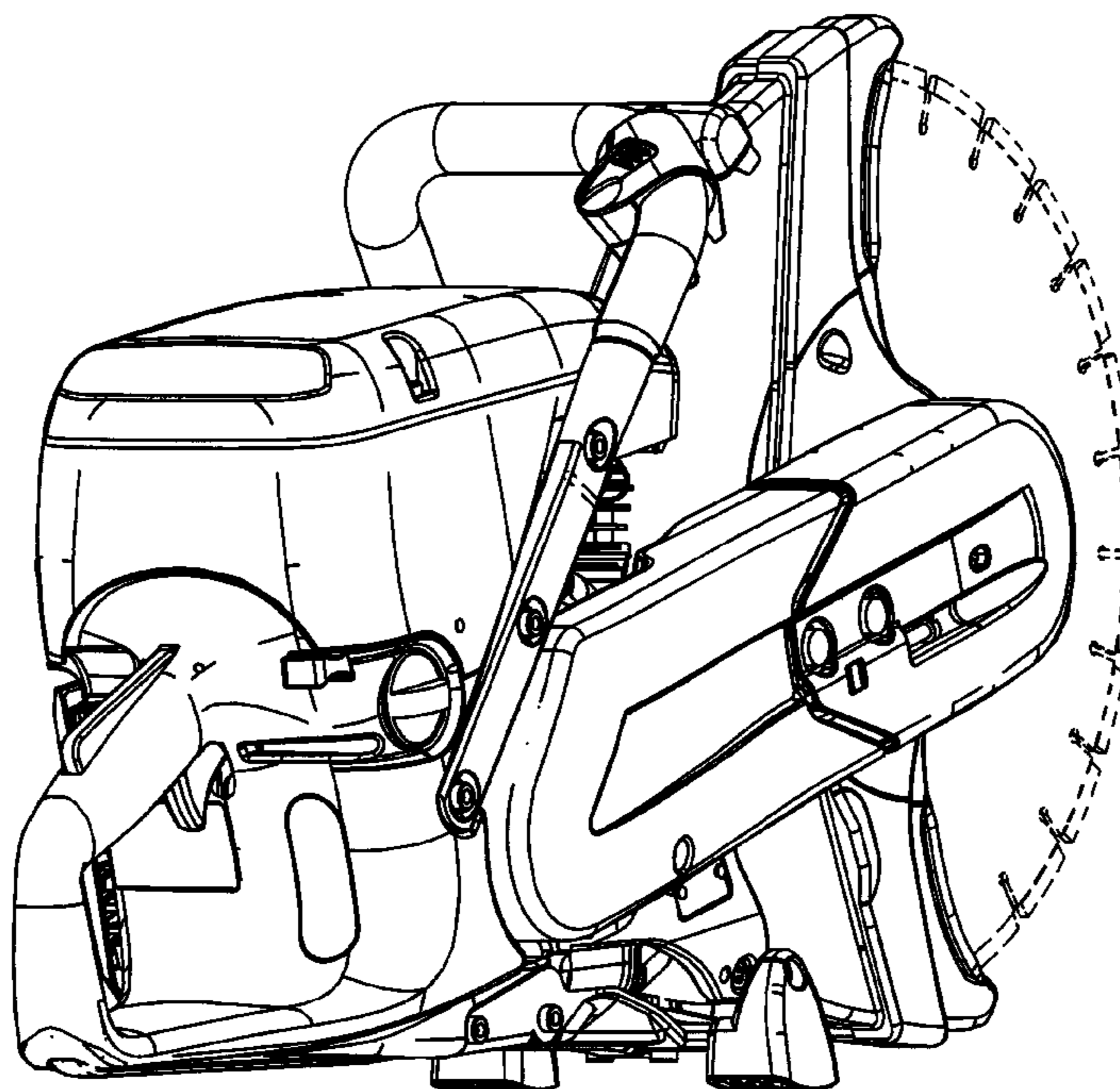
FIG. 5 is a front view thereof;

FIG. 6 is a bottom view thereof; and,

FIG. 7 is a top view thereof.

The broken lines shown in the drawings form no part of the claimed design.

1 Claim, 7 Drawing Sheets



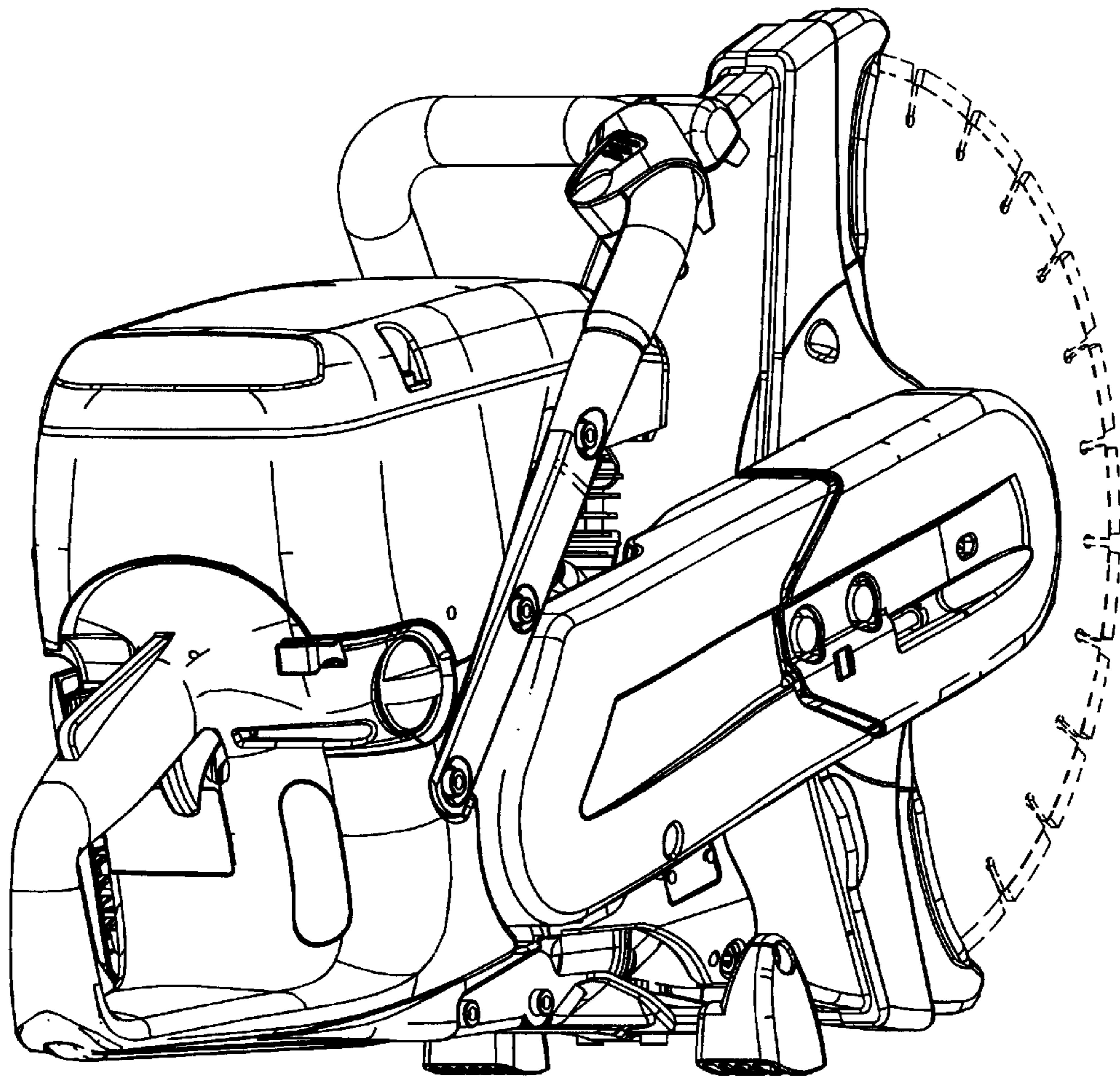


Fig. 1

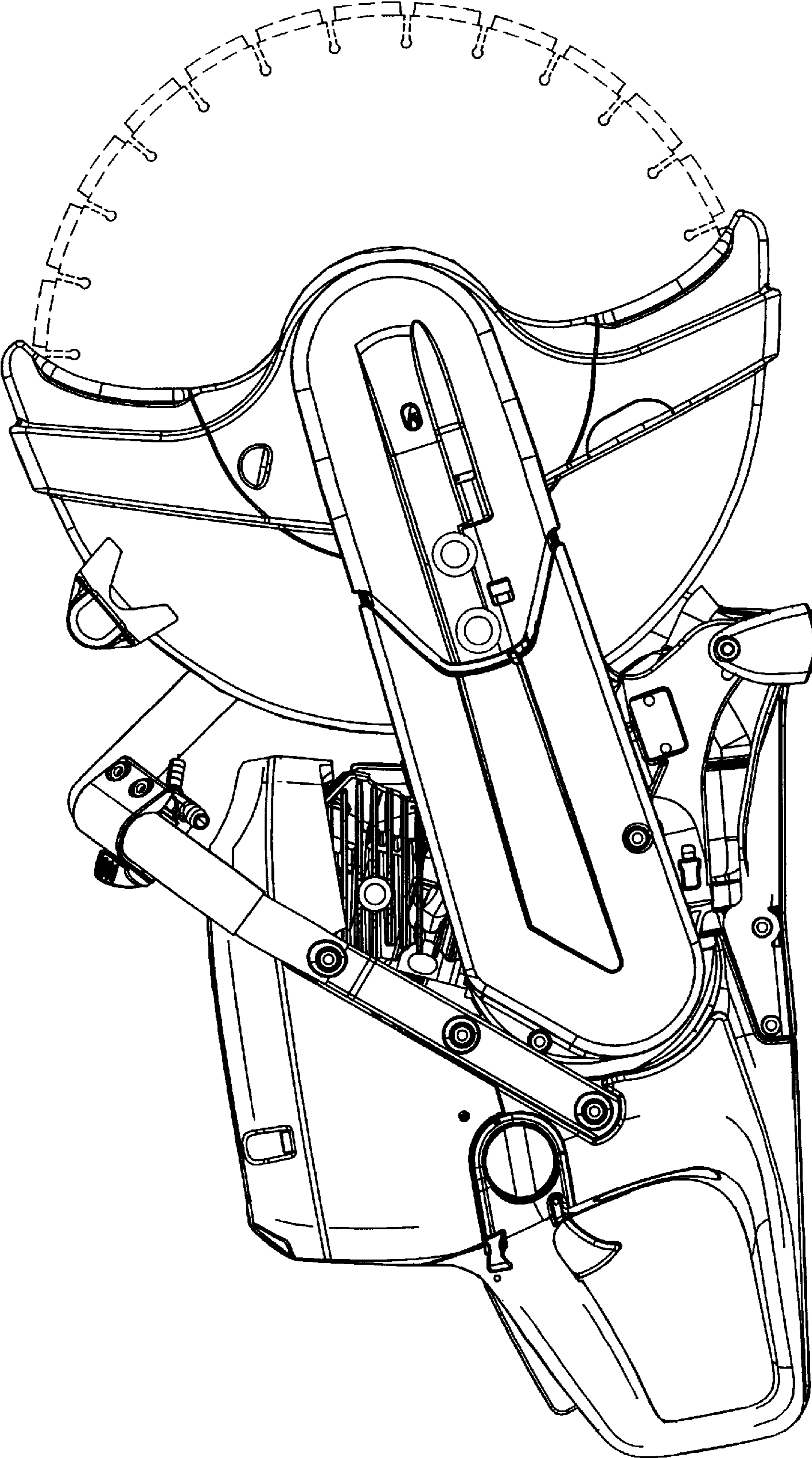


Fig.2

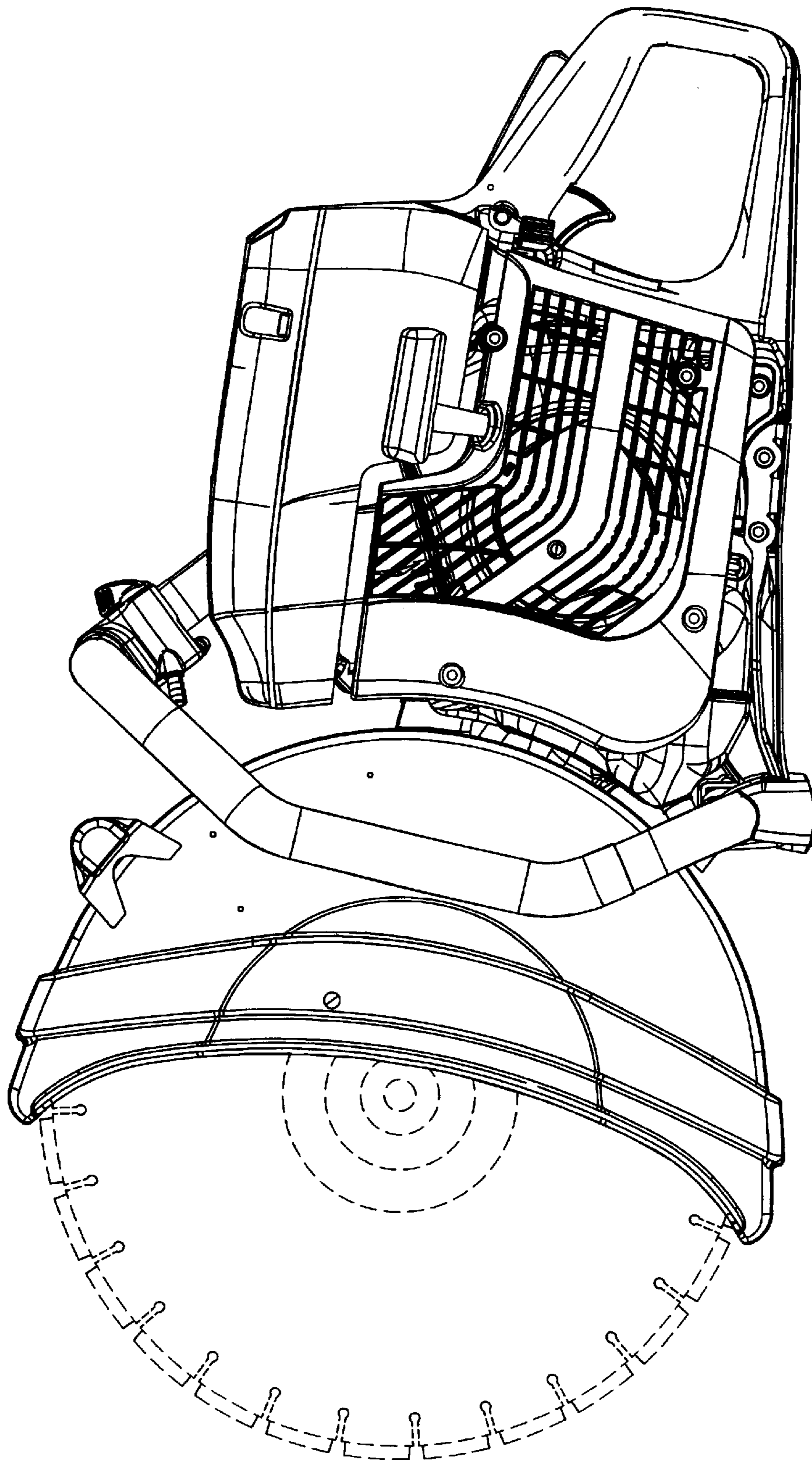


Fig. 3

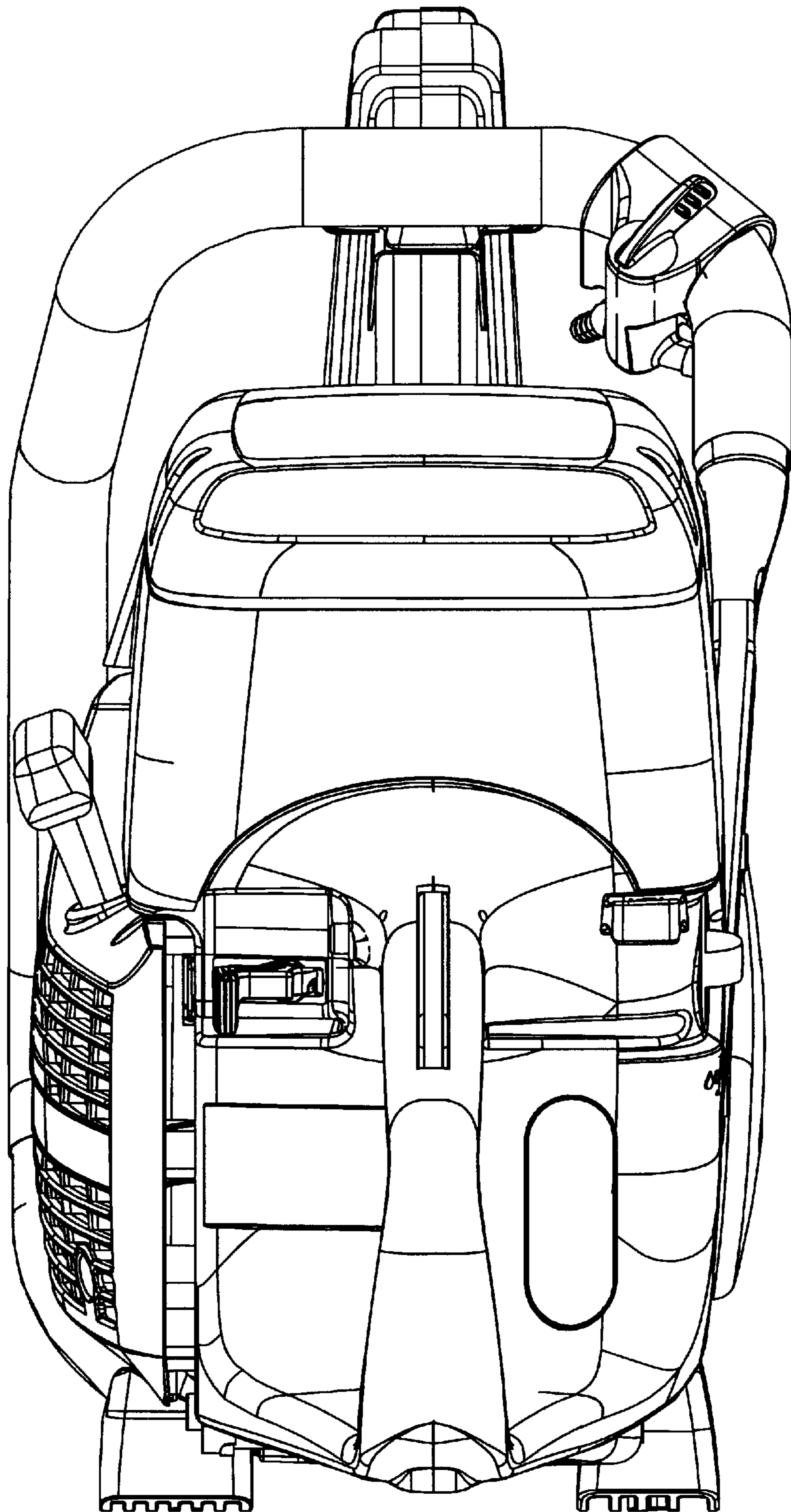


Fig.4

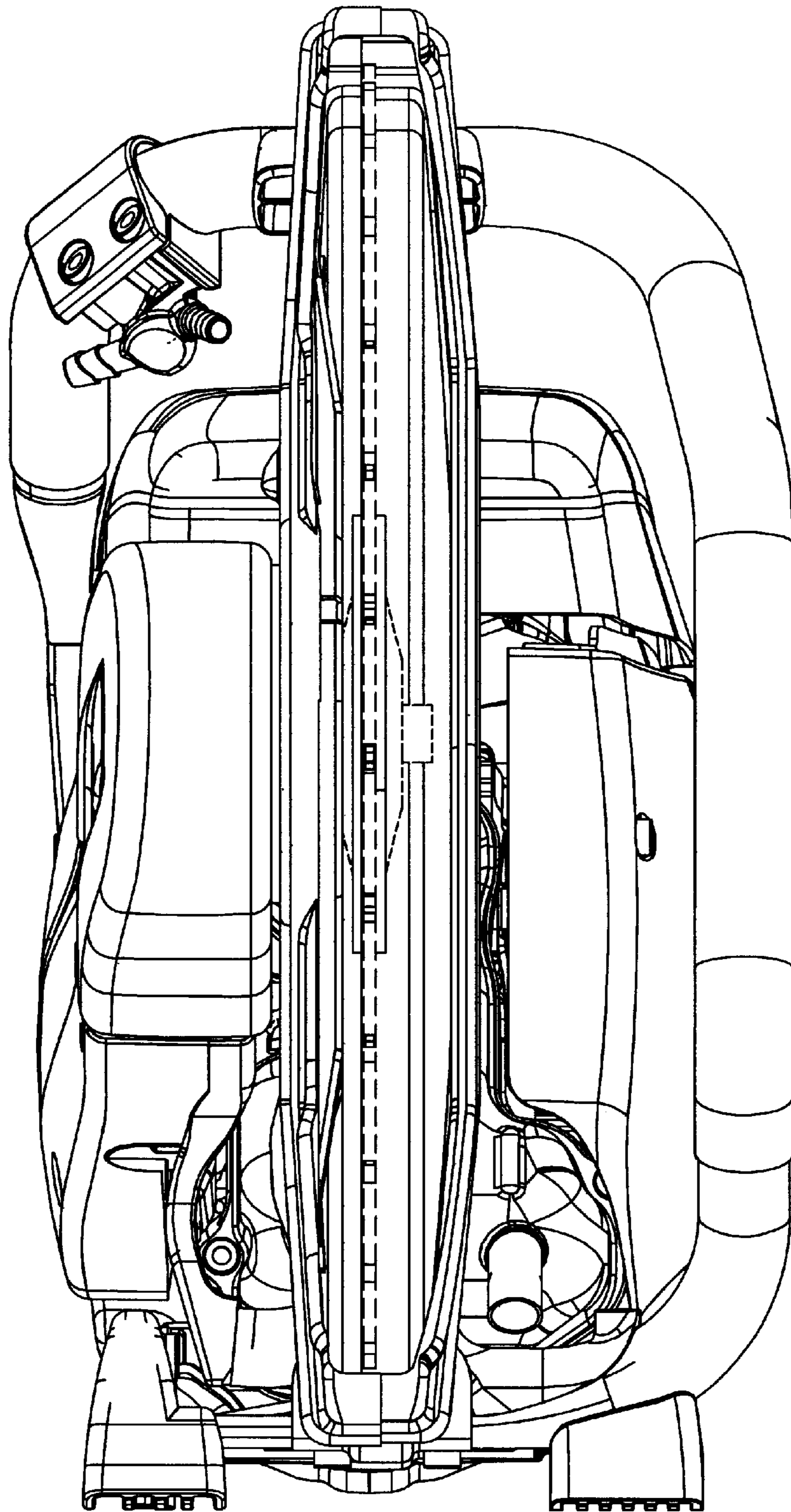


Fig.5

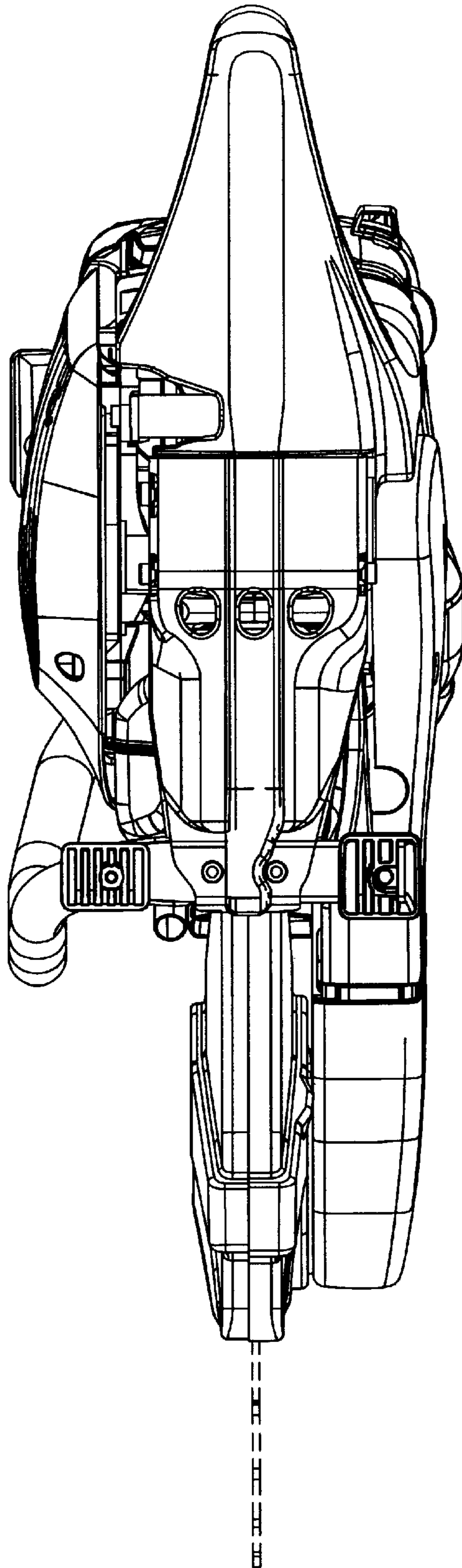


Fig. 6

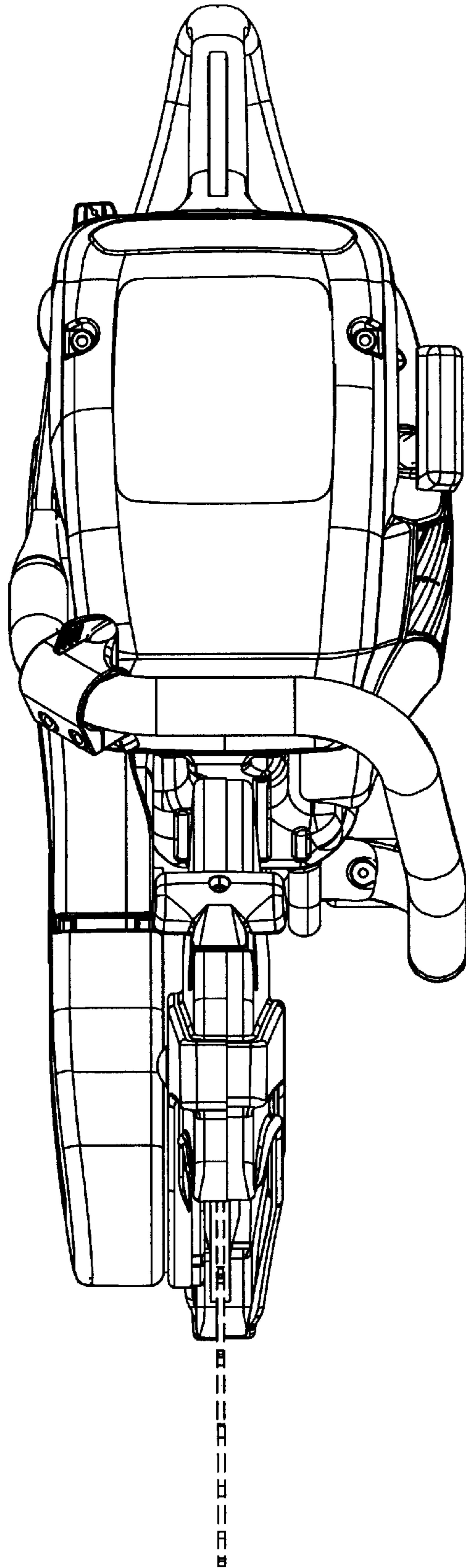


Fig. 7