



US00D533745S

(12) **United States Design Patent**
Rodrigue

(10) **Patent No.:** **US D533,745 S**

(45) **Date of Patent:** **** Dec. 19, 2006**

(54) **ADJUSTABLE MERCHANDISING HOOK BAR**

(75) Inventor: **Michael Rodrigue**, Rancho Cucamonga, CA (US)

(73) Assignee: **Bradshaw International, Inc.**, Rancho Cucamonga, CA (US)

(**) Term: **14 Years**

(21) Appl. No.: **29/190,157**

(22) Filed: **Sep. 16, 2003**

(51) **LOC (8) Cl.** **06-04**

(52) **U.S. Cl.** **D6/566**

(58) **Field of Classification Search** D6/553,
D6/566, 567; 211/13.1, 23, 17-18, 35, 41.1,
211/20.6, 100, 87.01, 181.1, 106; 248/251,
248/302, 309.1, 304

See application file for complete search history.

(56) **References Cited**

U.S. PATENT DOCUMENTS

2,872,145	A	*	2/1959	Goldsholl	D6/553
4,008,871	A	*	2/1977	Rex	248/304
D313,916	S	*	1/1991	Ballard	D6/553
D325,488	S	*	4/1992	Sheriff	D6/566
D384,534	S	*	10/1997	Kiggins	D6/567
D498,631	S	*	11/2004	Anderson et al.	D6/566
D498,963	S	*	11/2004	Sung-Feng	D6/553

* cited by examiner

Primary Examiner—Brian N Vinson
(74) *Attorney, Agent, or Firm*—Birch, Stewart, Kolasch and Birch, LLP

(57) **CLAIM**

The ornamental design for an adjustable merchandising hook bar, as shown and described.

DESCRIPTION

FIG. 1 is a left front perspective view of an adjustable merchandising hook bar embodying my new design, with four hooks in selected positions;

FIG. 2 is a top plan view thereof;

FIG. 3 is a front elevational view thereof;

FIG. 4 is a rear elevational view thereof;

FIG. 5 is a left end view thereof, the right end view being a mirror image;

FIG. 6 is a bottom plan view thereof;

FIG. 7 is a left front perspective view thereof with hooks in moved positions and one hook shown in exploded perspective during adjustment;

FIG. 8 is a left front perspective view of said one hook, the other hooks being identical;

FIG. 9 is a bottom plan view thereof;

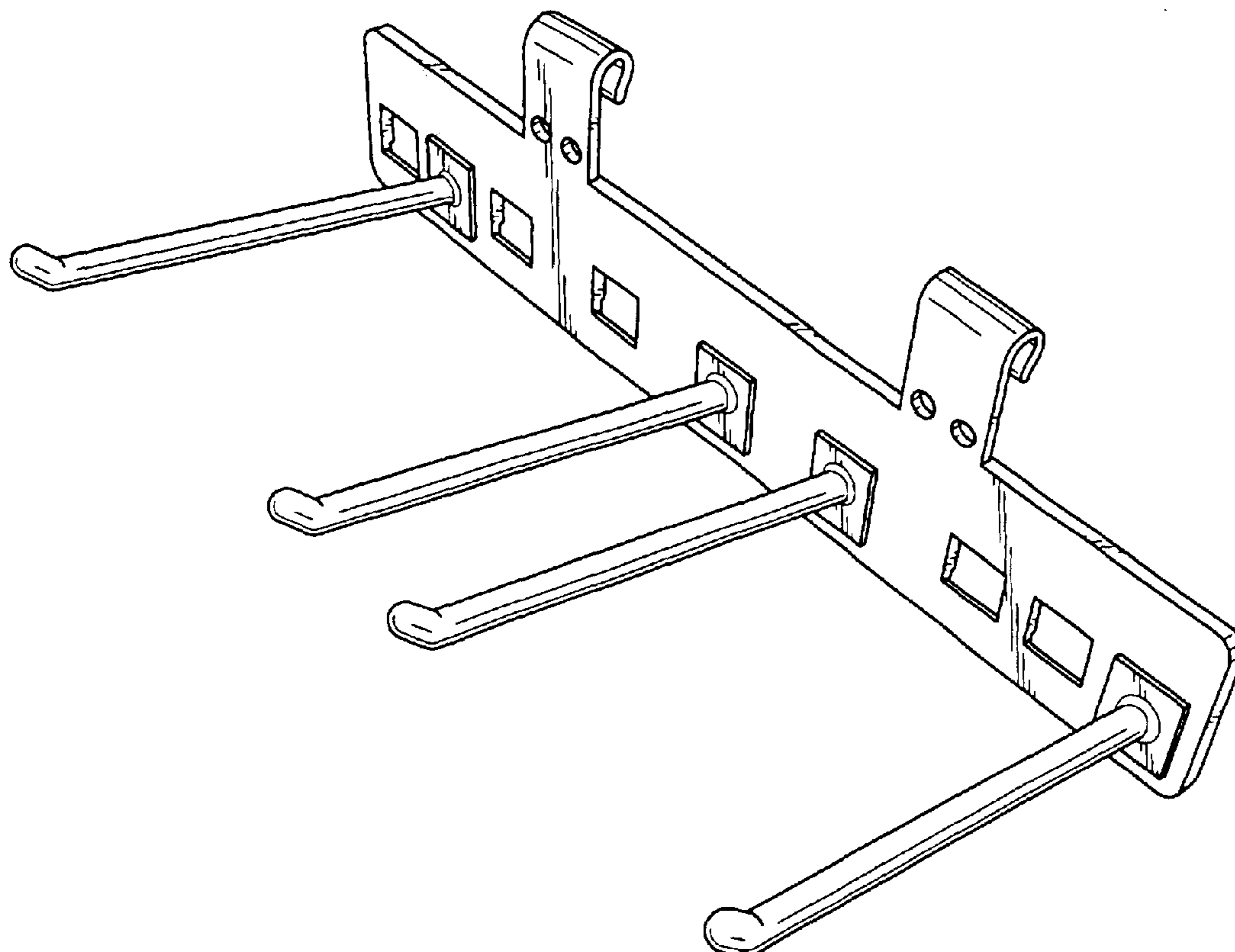
FIG. 10 is a front elevational view thereof;

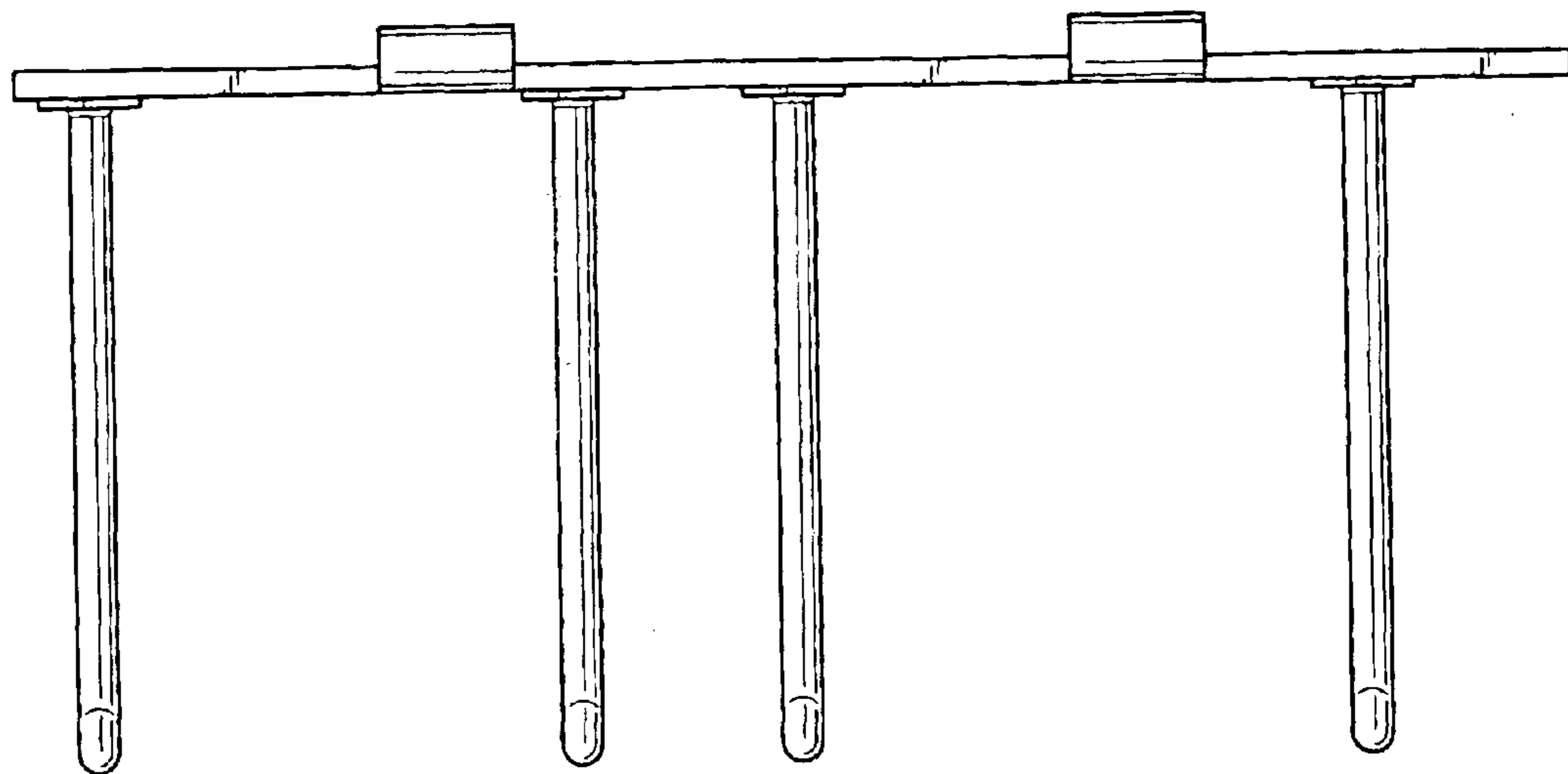
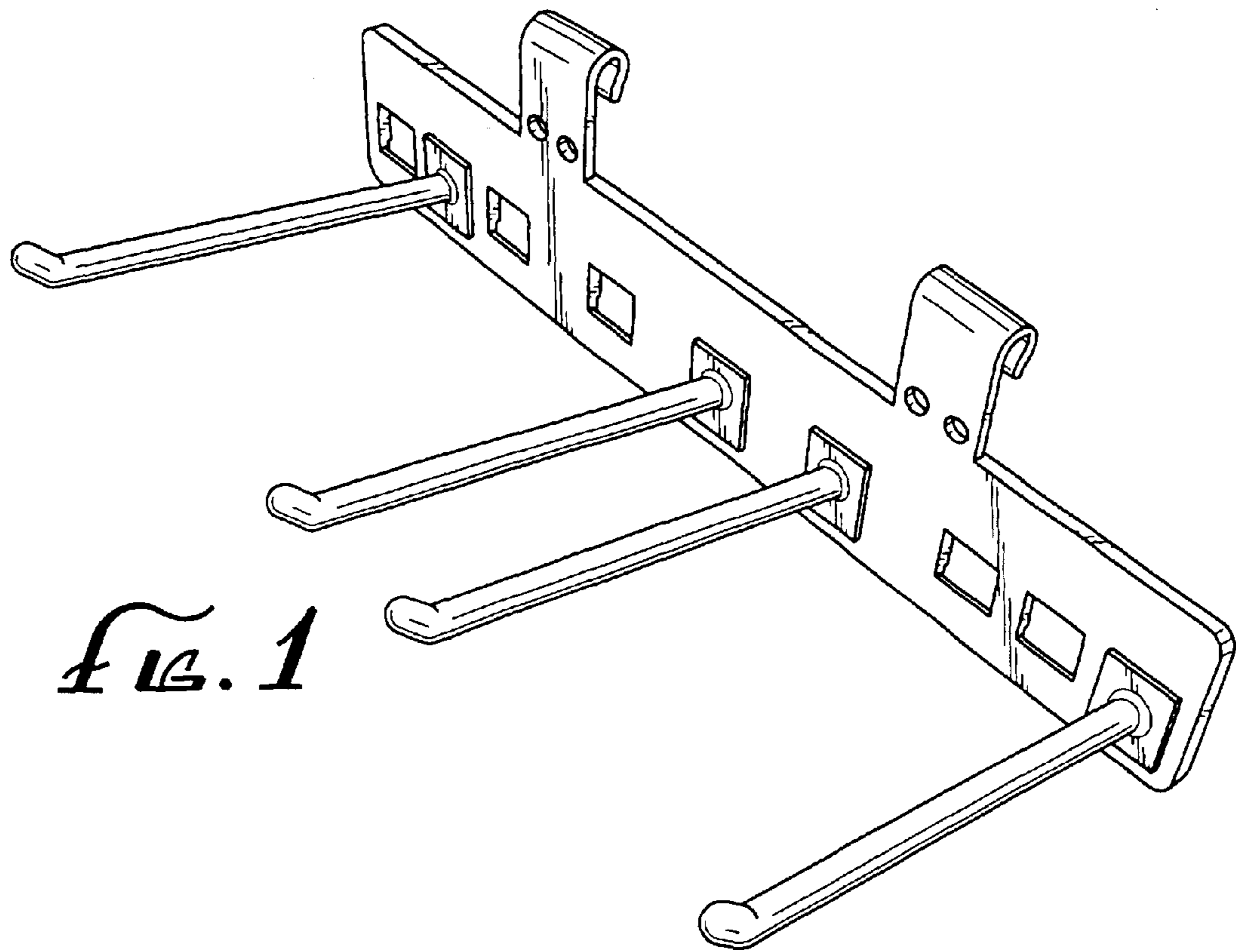
FIG. 11 is a left side elevational view thereof;

FIG. 12 is a top plan view thereof; and,

FIG. 13 is a rear elevational view thereof.

1 Claim, 3 Drawing Sheets





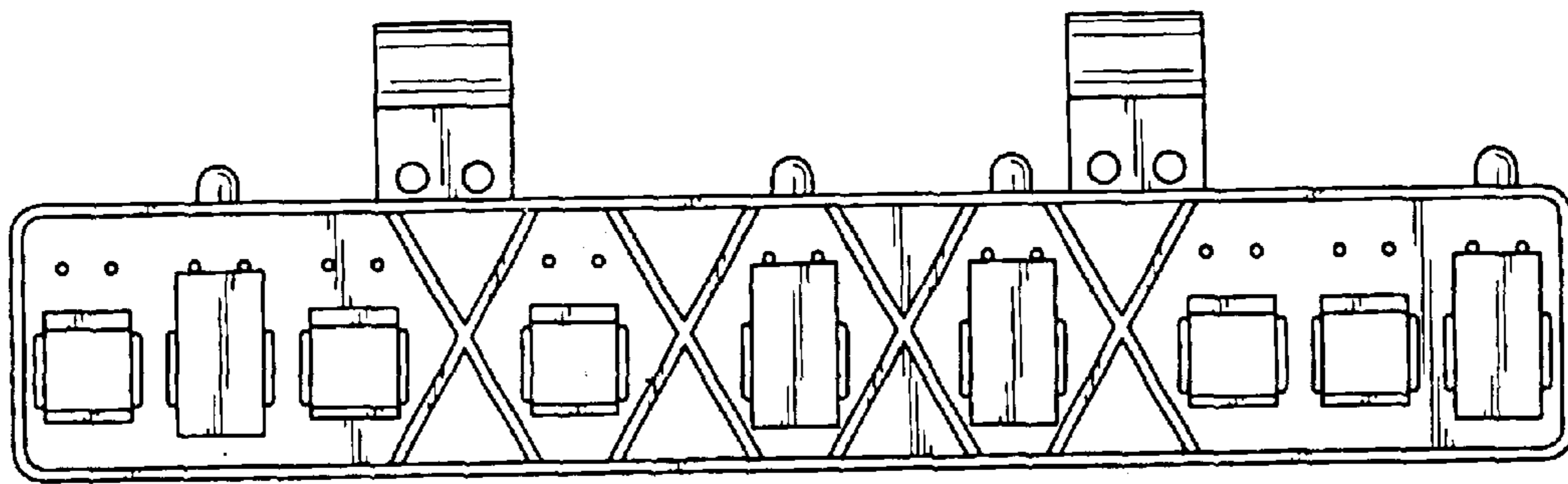
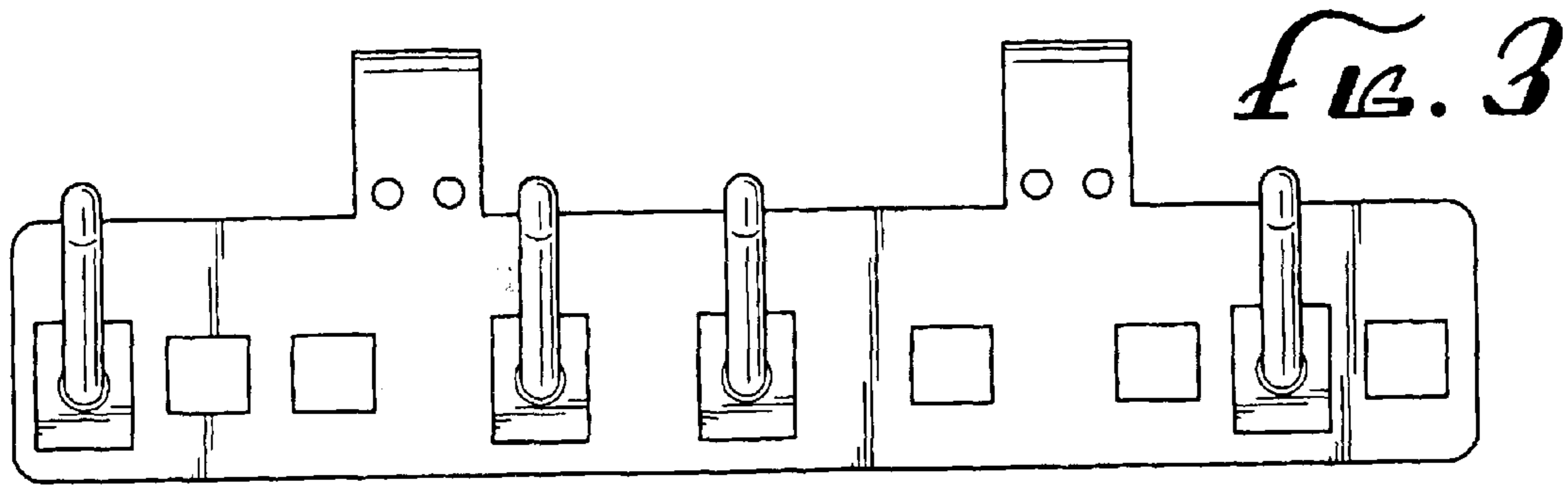
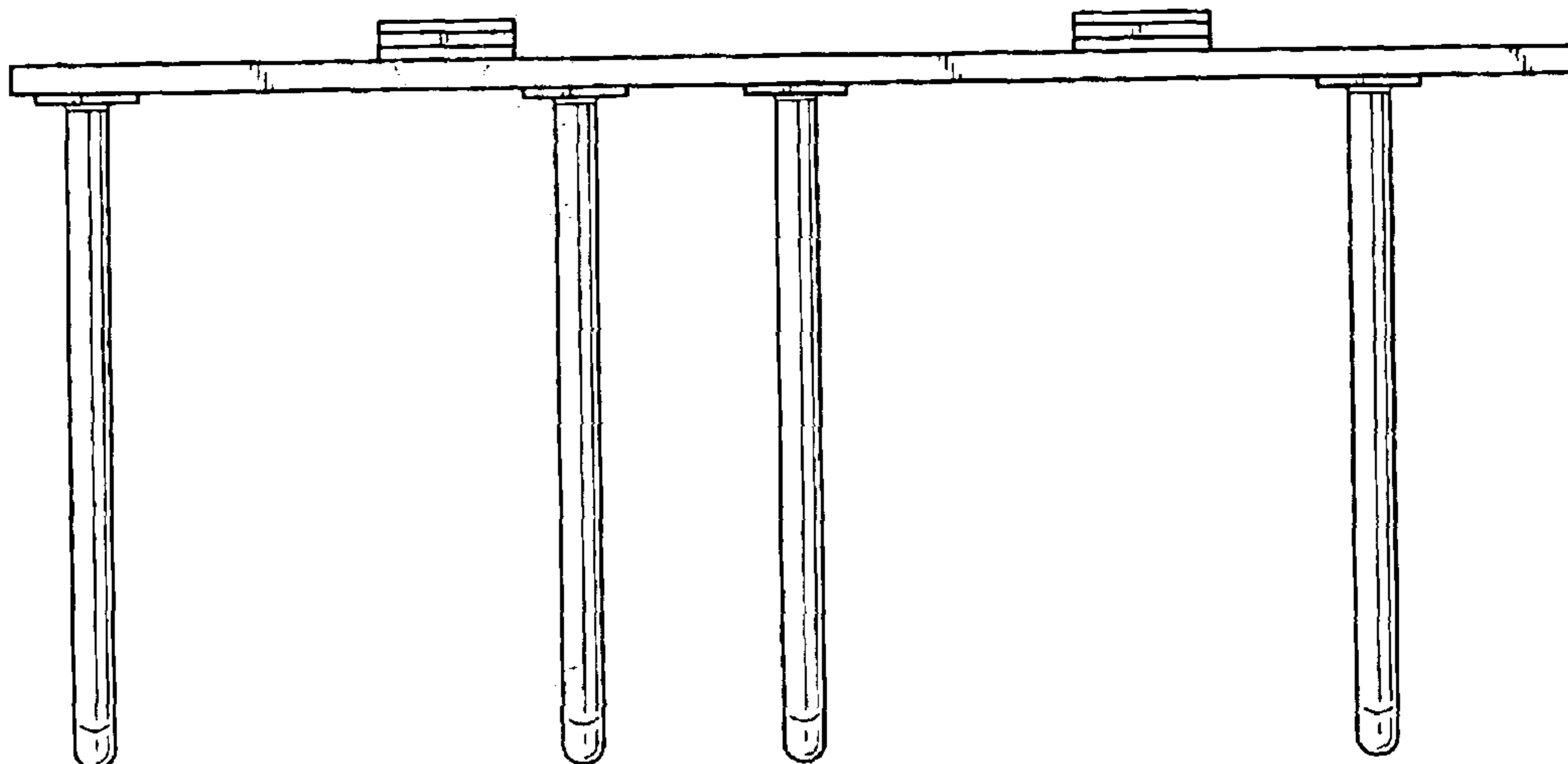


FIG. 4

FIG. 5

FIG. 6



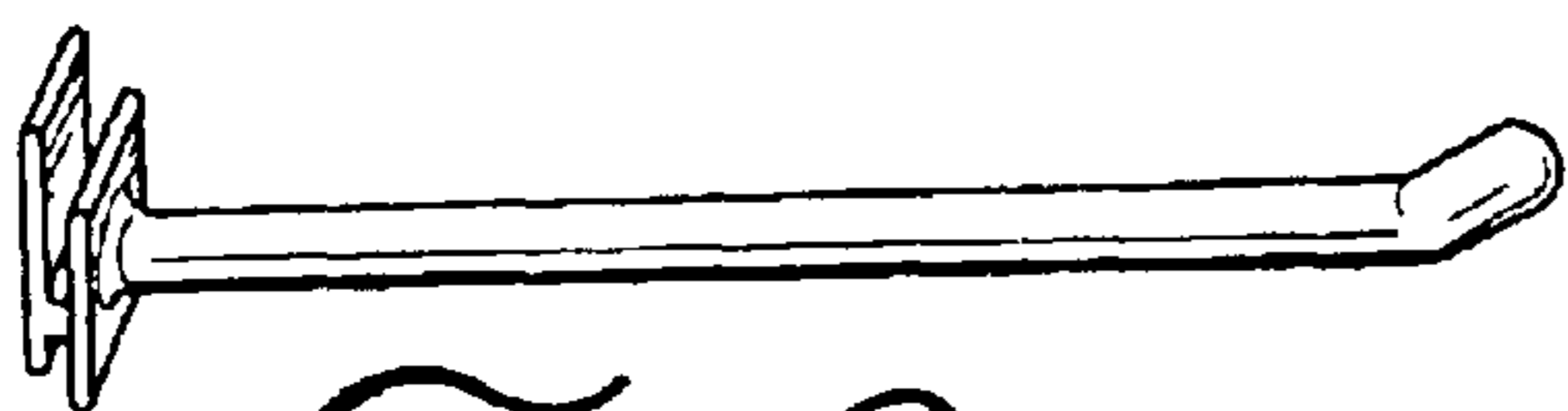
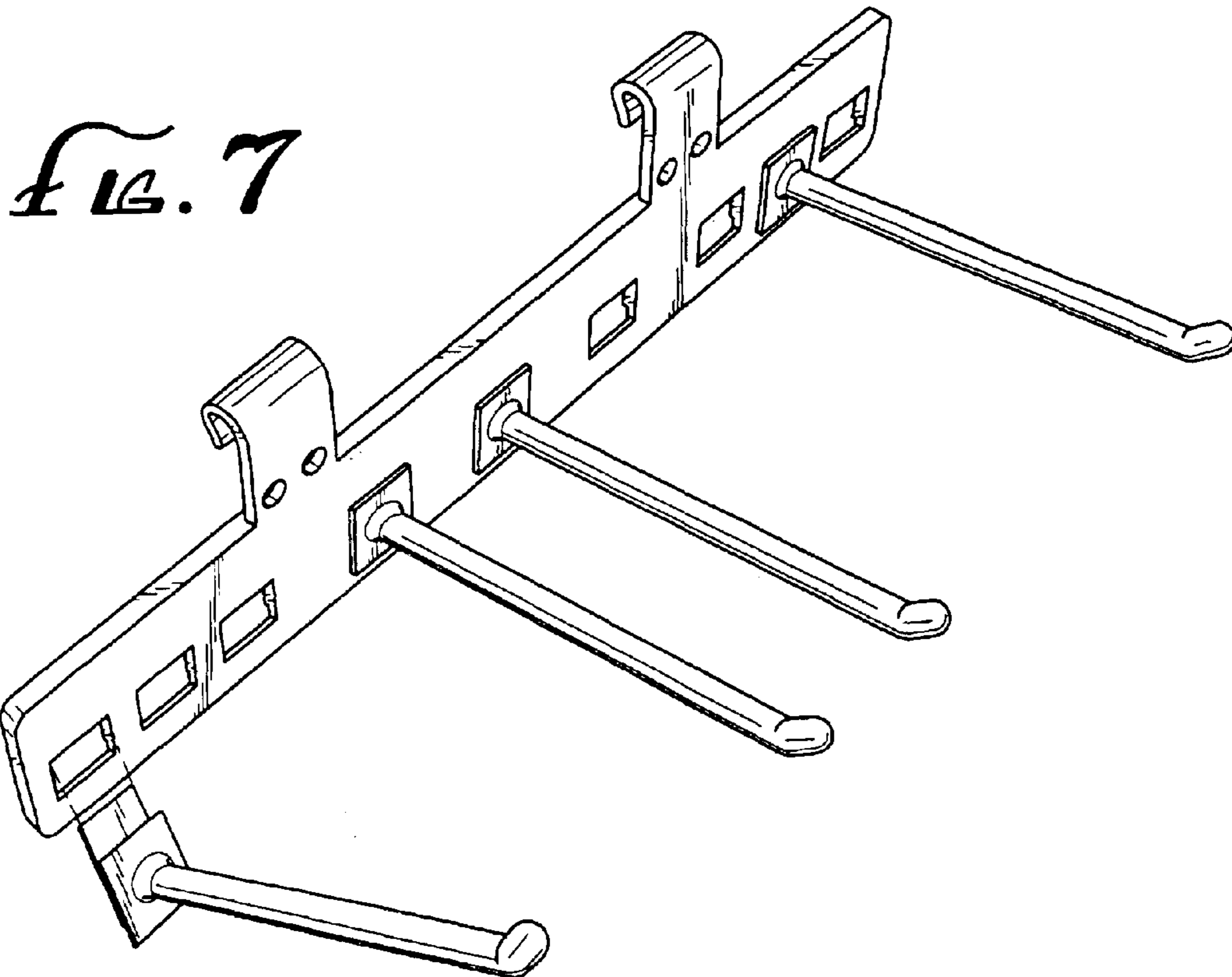


FIG. 8

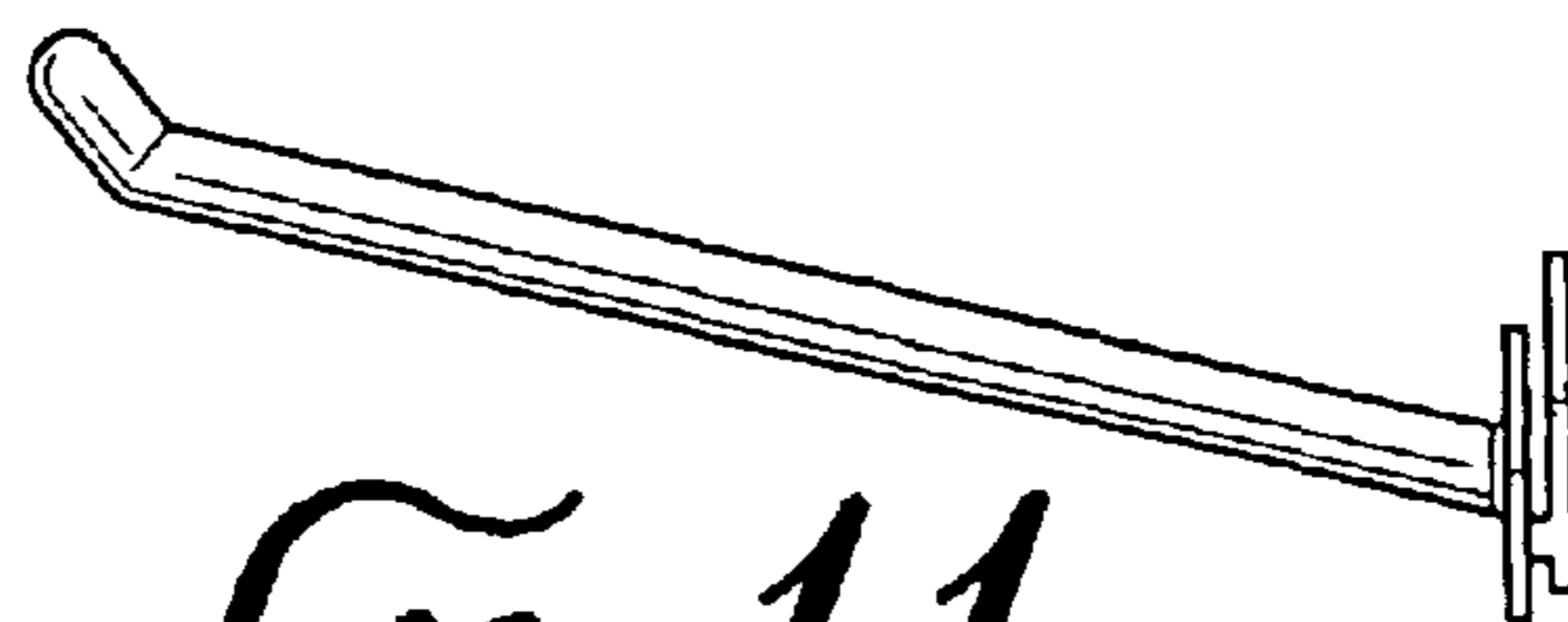


FIG. 11

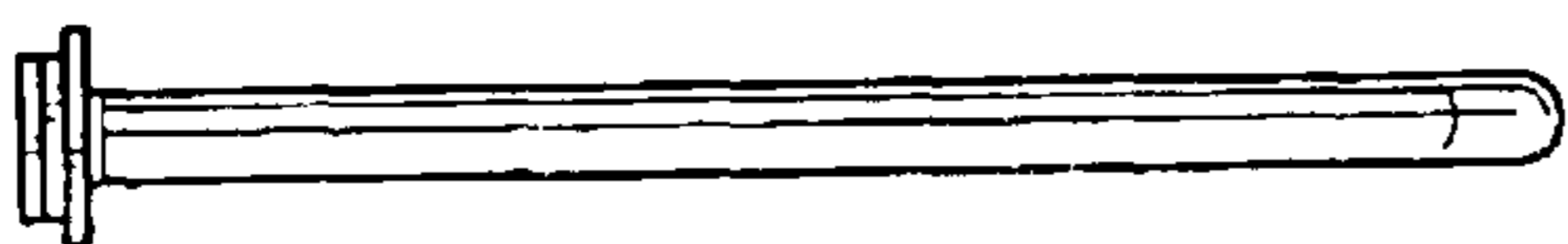


FIG. 9

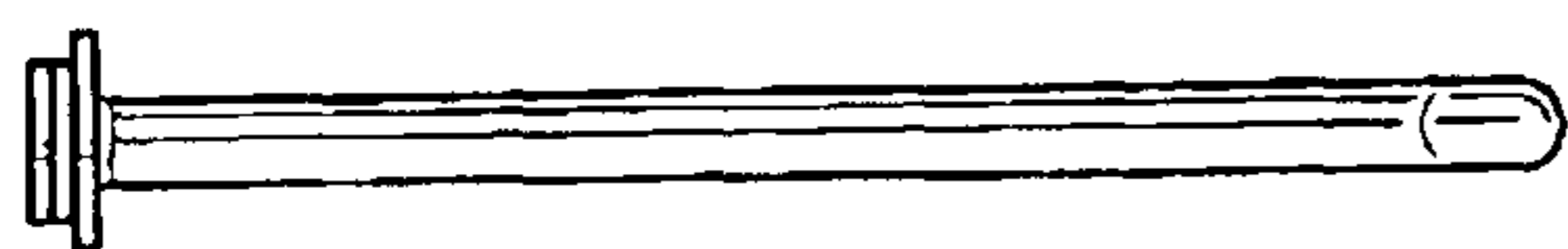


FIG. 12

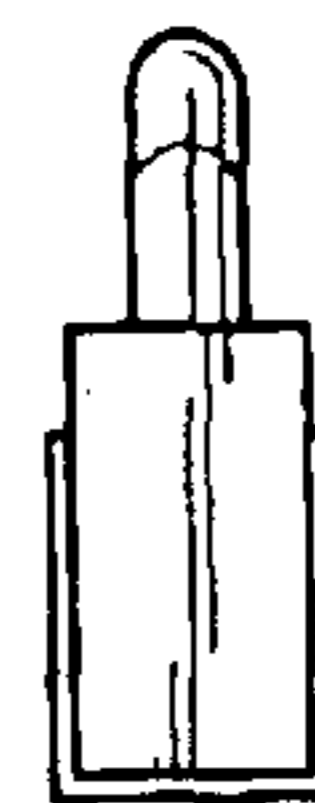


FIG. 10 FIG. 13