



US00D533743S

(12) **United States Design Patent**
Eastman

(10) **Patent No.: US D533,743 S**

(45) **Date of Patent: ** Dec. 19, 2006**

(54) **SPORTS EQUIPMENT RACK**

6,216,887 B1 * 4/2001 Soo 211/205
6,843,380 B1 * 1/2005 Fickett 211/22

(76) Inventor: **Scott Eastman**, 13 Wycliffe Bldg.,
Portsmouth Rd., Guilford, Surrey (GB),
GU2 4BW

* cited by examiner

Primary Examiner—Brian N Vinson

(**) Term: **14 Years**

(57) **CLAIM**

(21) Appl. No.: **29/212,050**

The ornamental design for a sports equipment rack, as shown and described.

(22) Filed: **Aug. 24, 2004**

DESCRIPTION

(51) **LOC (8) Cl.** **08-08**

(52) **U.S. Cl.** **D6/552**

(58) **Field of Classification Search** D6/552,
D6/566, 410–411, 415, 462, 458; 211/13.1,
211/85.7, 60.1, 86.01, 107, 119.1, 205, 22
See application file for complete search history.

FIG. 1 is a perspective view of a sports equipment rack constructed in accordance with the invention;
FIG. 2 is a right side elevation view of the rack of FIG. 1, the left side being a mirror image of the right side;
FIG. 3 is a front elevation view of the rack of FIG. 1, the back being a mirror image of the front;
FIG. 4 is a top plan view of the rack of FIG. 1; and,
FIG. 5 is a bottom plan view of the rack of FIG. 1.

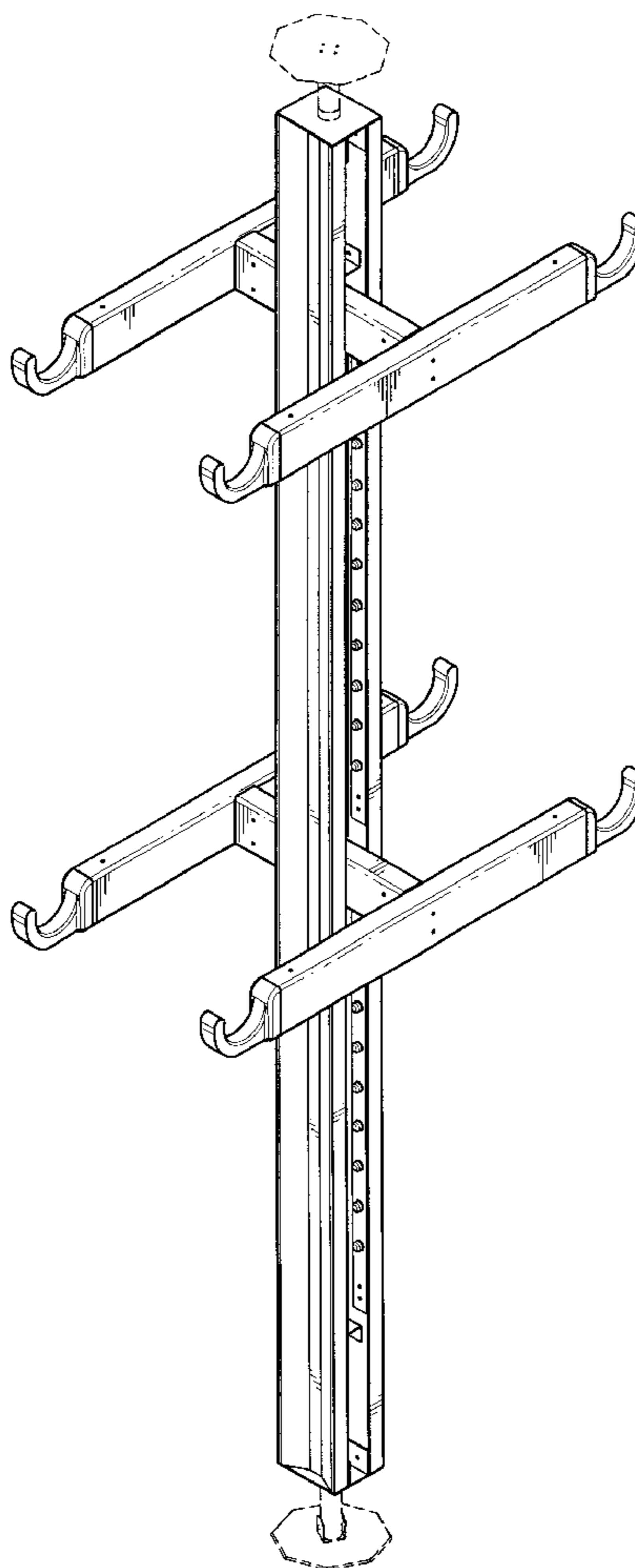
(56) **References Cited**

U.S. PATENT DOCUMENTS

4,865,283 A * 9/1989 Parker 211/205
5,657,884 A * 8/1997 Zilincar, III 211/86.01
D394,926 S * 6/1998 Lindsay D6/552
D398,469 S * 9/1998 Leong et al. D6/552

The broken-line disclosure in the views is understood to be for illustrative purposes only and forms no part of the claimed design.

1 Claim, 3 Drawing Sheets



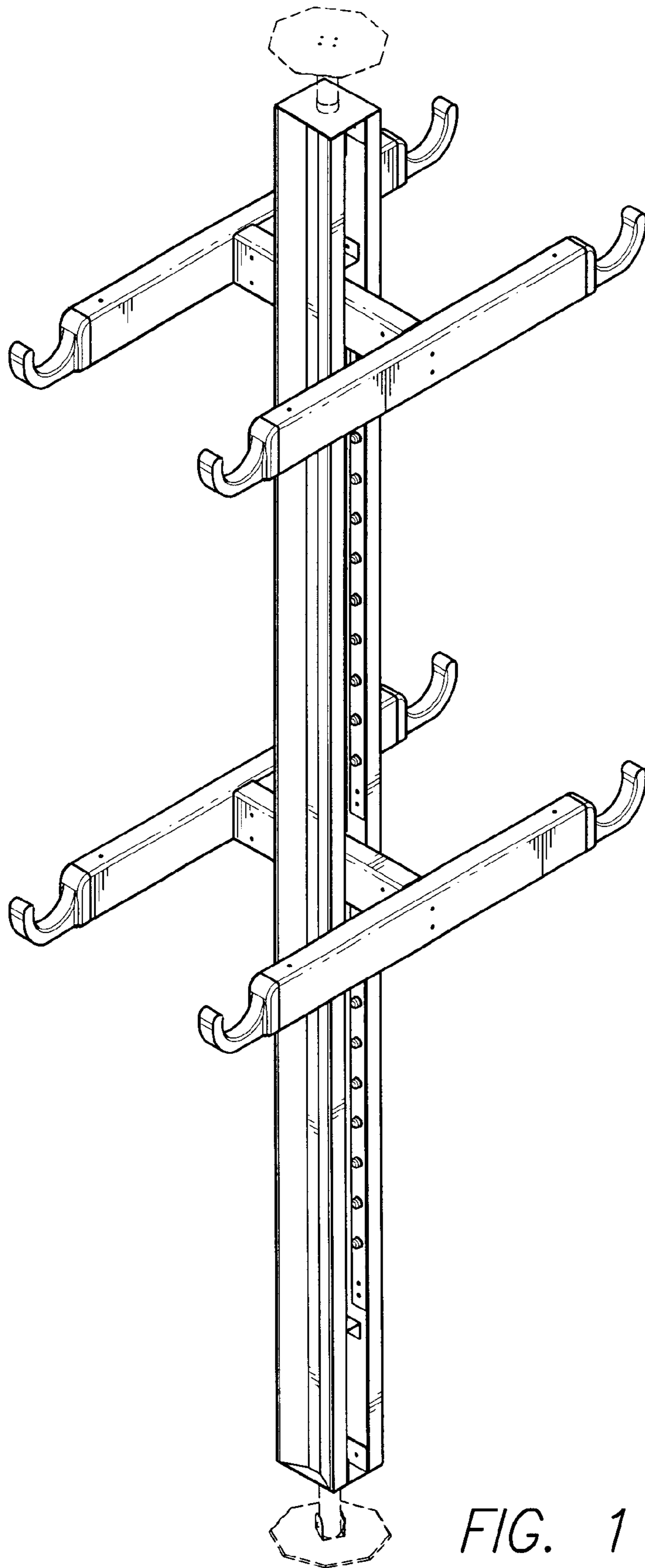


FIG. 1

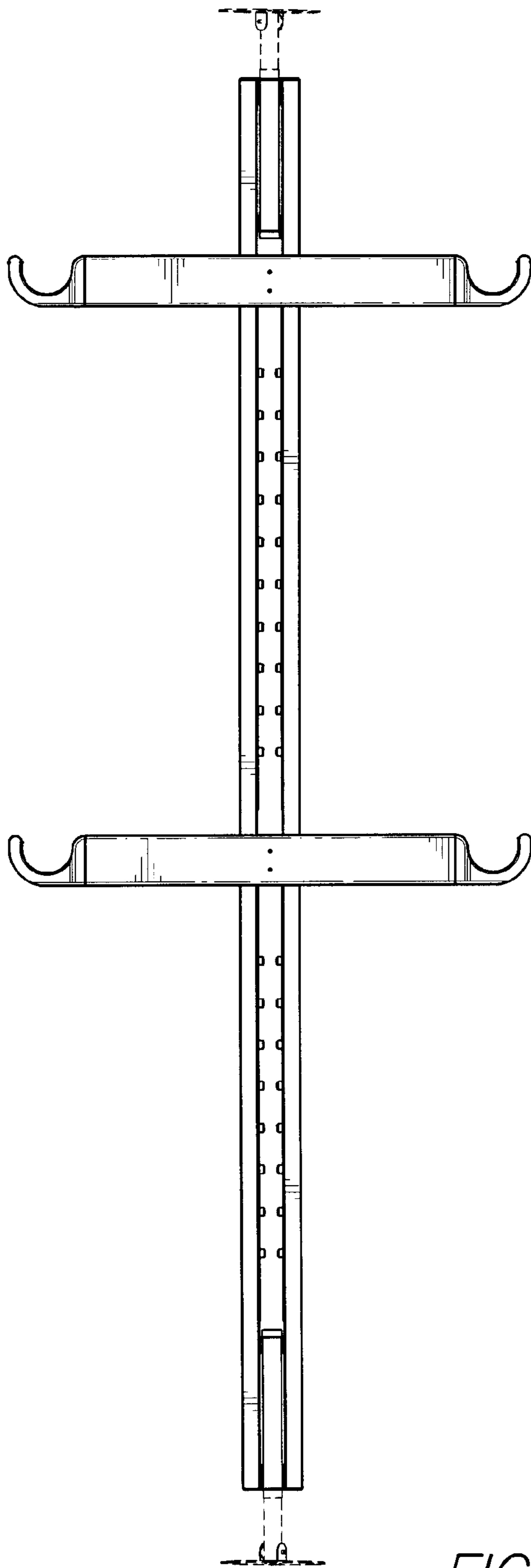


FIG. 2

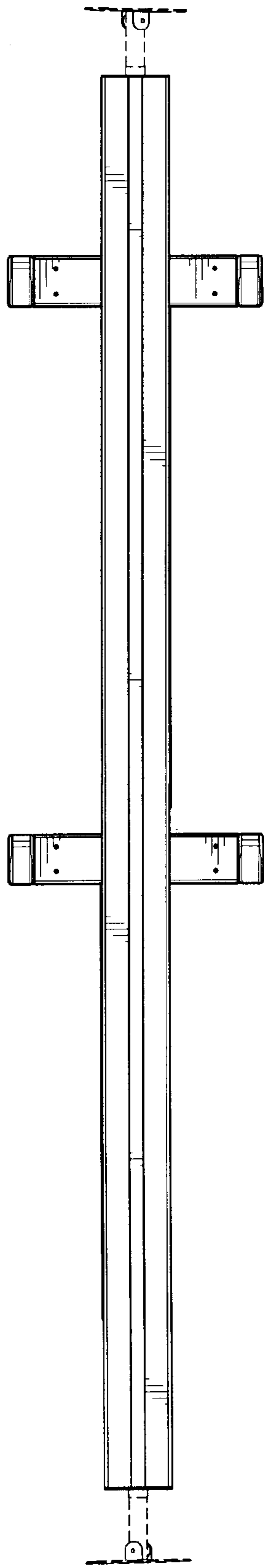


FIG. 3

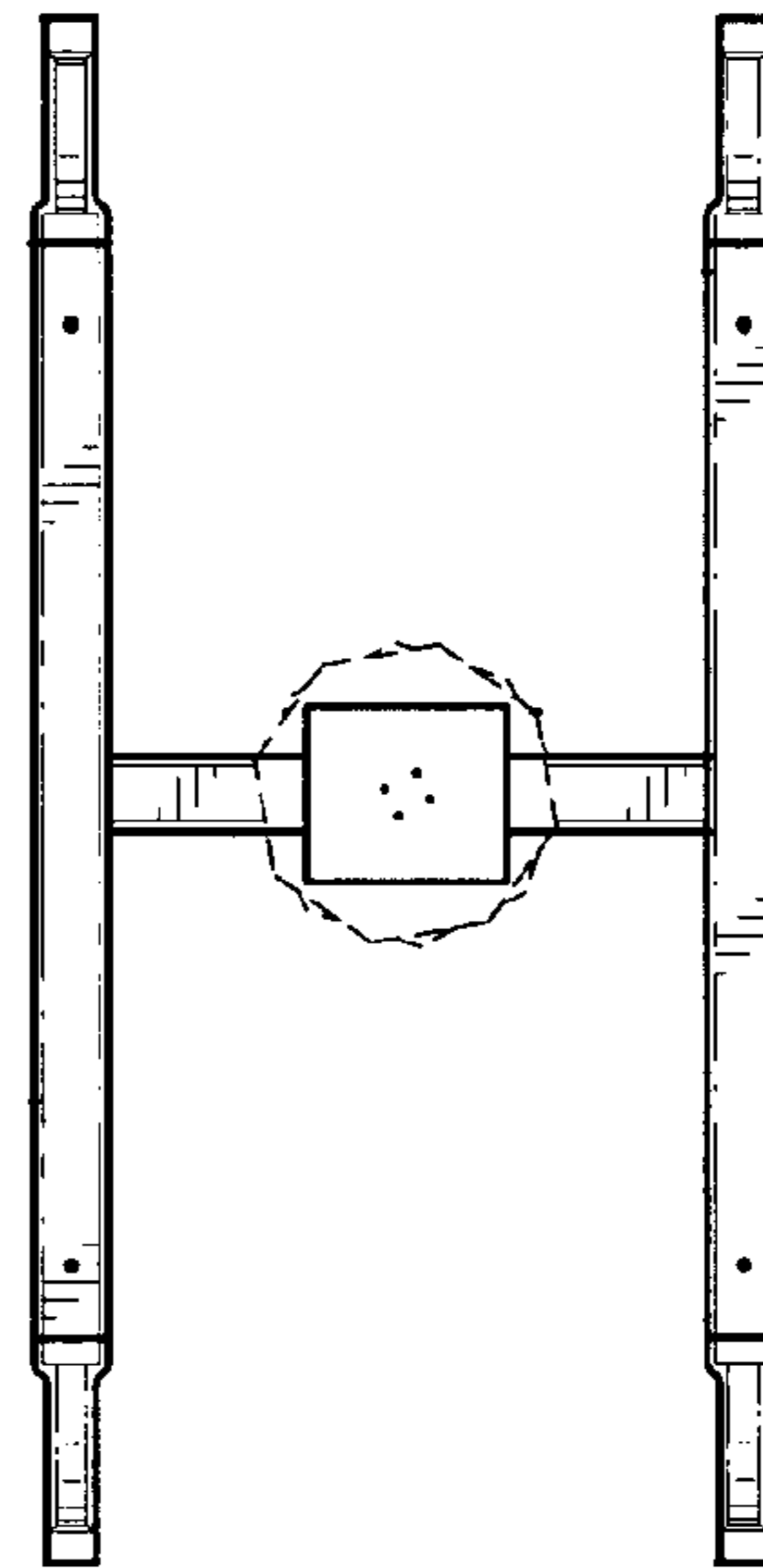


FIG. 4

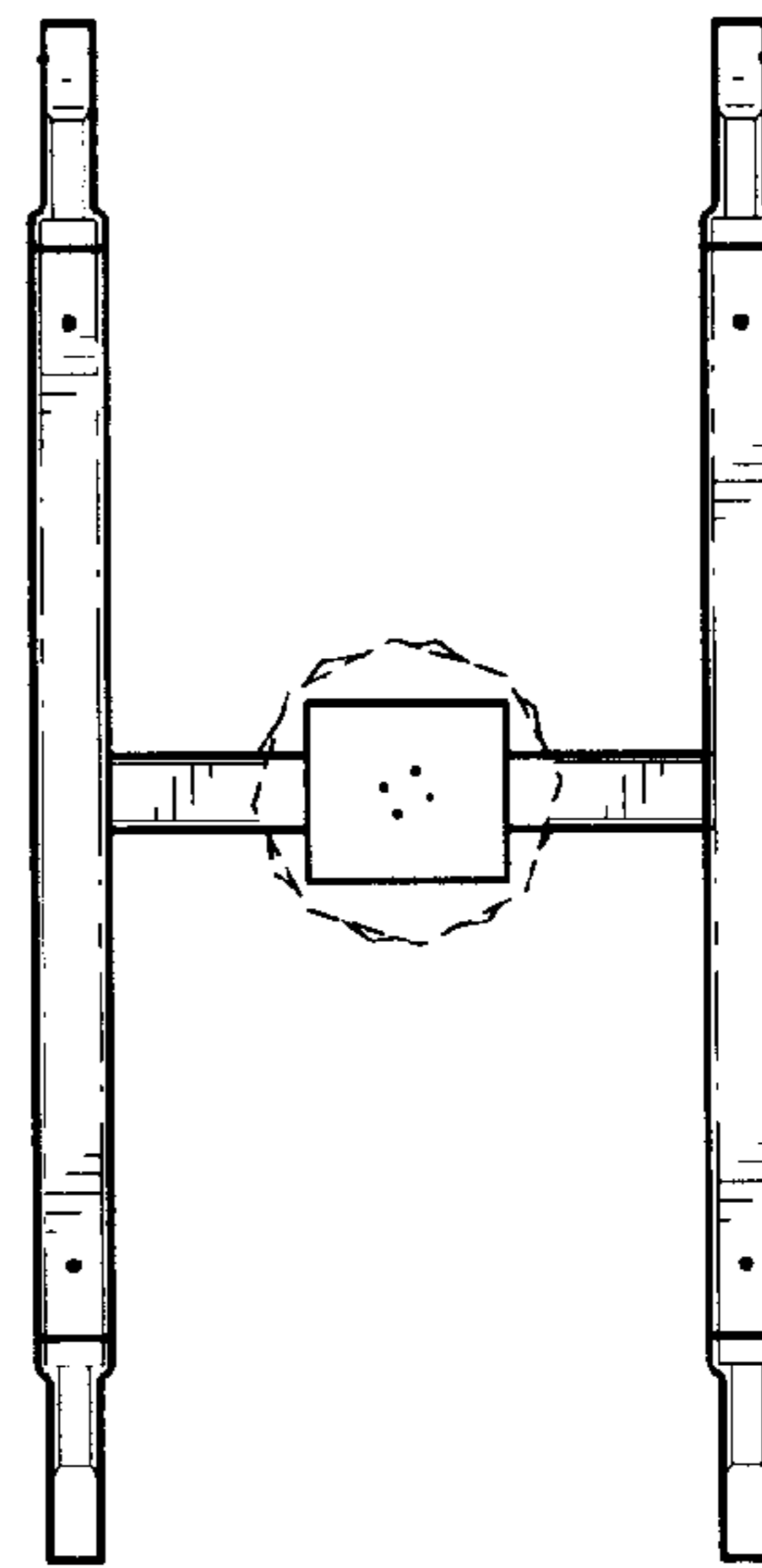


FIG. 5