

US00D533741S

(12) **United States Design Patent**
Joseph

(10) **Patent No.:** **US D533,741 S**

(45) **Date of Patent:** **** Dec. 19, 2006**

(54) **SOAP DISH**

(76) Inventor: **Rony Koshy Joseph**, 2257 S.
Sandpiper Ct., West Lafayette, IN (US)
47906

(**) Term: **14 Years**

(21) Appl. No.: **29/225,850**

(22) Filed: **Mar. 21, 2005**

(51) **LOC (8) Cl.** **23-02**

(52) **U.S. Cl.** **D6/536**

(58) **Field of Classification Search** D6/529,
D6/536-540; D7/502, 550, 554.2, 56; 206/77.1,
206/557, 587, 823; 211/13.1, 85.4, 85.12;
D9/682, 690, 692

See application file for complete search history.

(56) **References Cited**

U.S. PATENT DOCUMENTS

D212,335 S * 10/1968 Schwartz D6/536
D285,996 S * 10/1986 Bussell D6/536
D351,304 S * 10/1994 Glass D6/536

D377,028 S * 12/1996 Monday D6/536
D432,835 S * 10/2000 de Baschmakoff D6/536
D452,098 S * 12/2001 Zetsche D6/540
D512,862 S * 12/2005 Hoernig D6/540

* cited by examiner

Primary Examiner—Brian N Vinson

(57) **CLAIM**

The ornamental design for a soap dish, as shown and described.

DESCRIPTION

The invention is a device for holding a bar of soap and allowing for water to drain into a bottom compartment.

FIG. 1 is a front perspective view of the soap dish showing my new design;

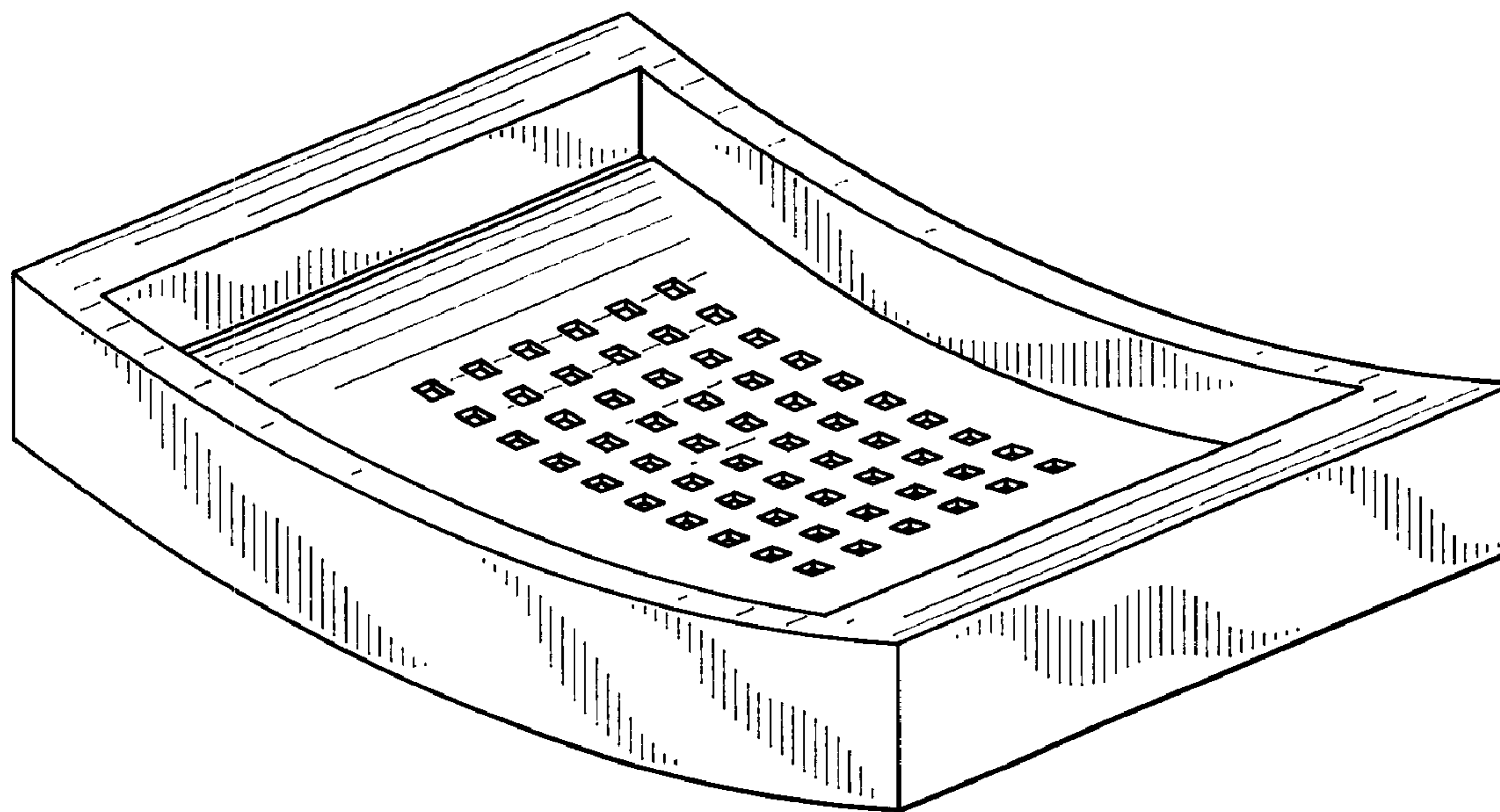
FIG. 2 is a right side elevation view thereof and it is a mirror image of the left side elevation view;

FIG. 3 is a front elevation view thereof and it is a mirror image of the rear elevation view;

FIG. 4 is a top plan view thereof; and,

FIG. 5 is a bottom plan view thereof.

1 Claim, 2 Drawing Sheets



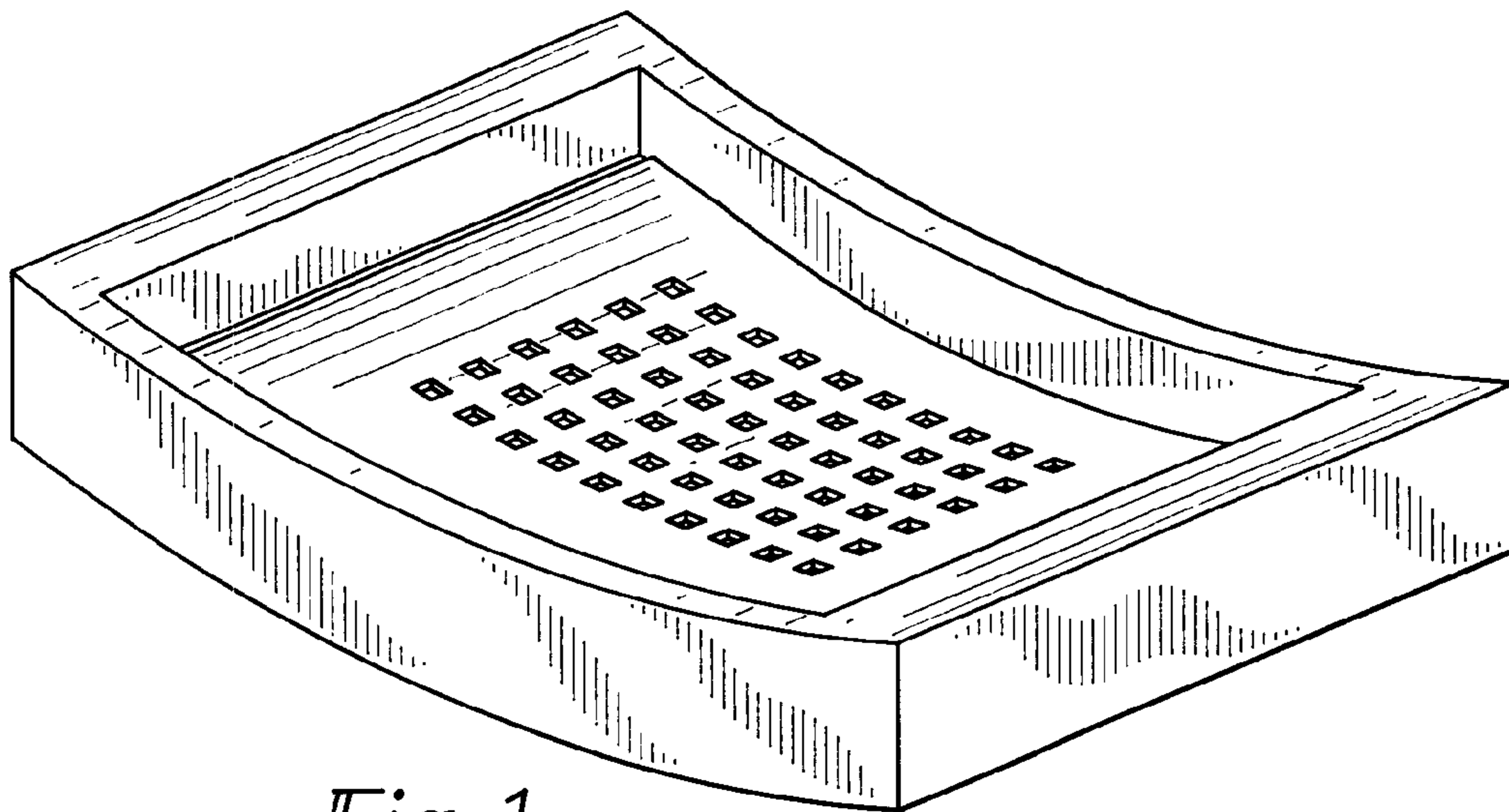


Fig. 1

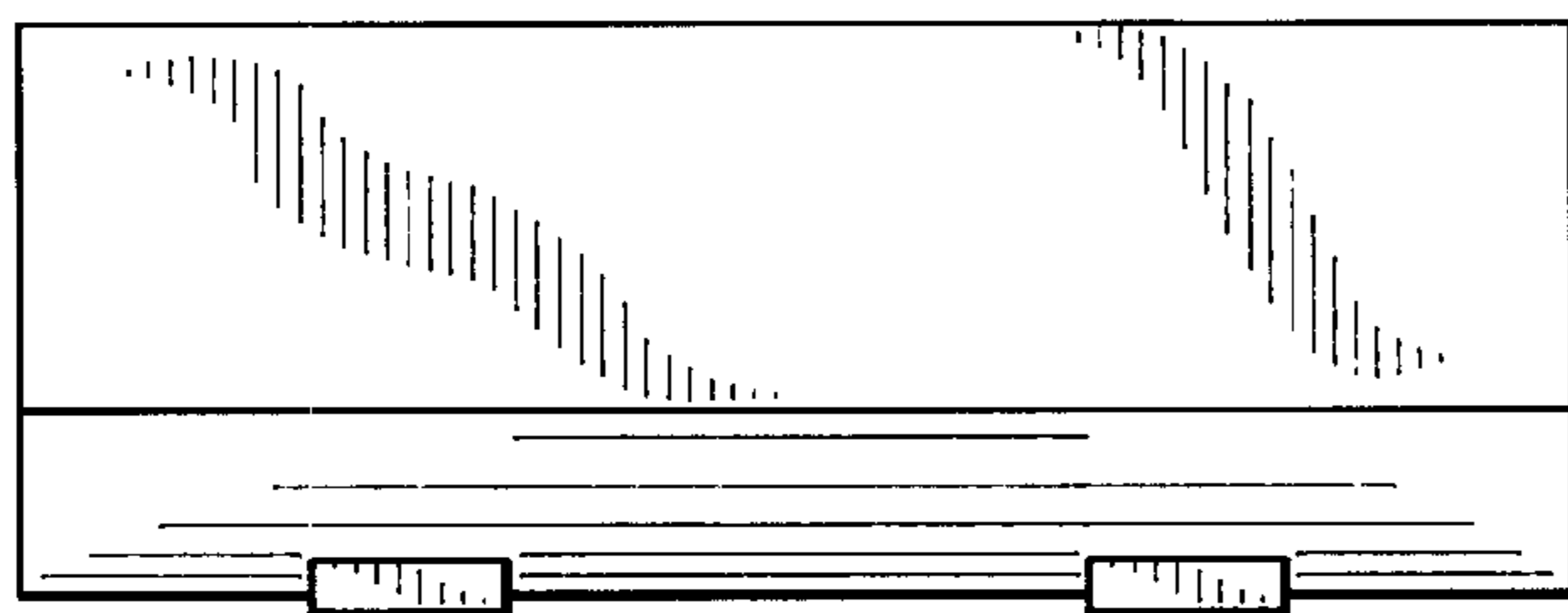


Fig. 2

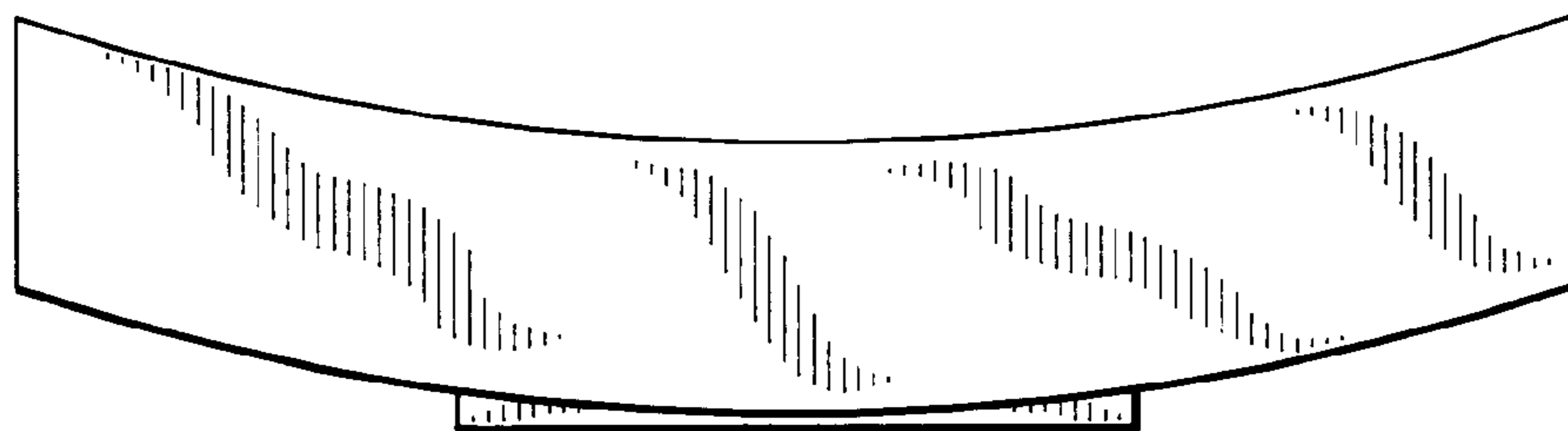


Fig. 3

Fig. 4

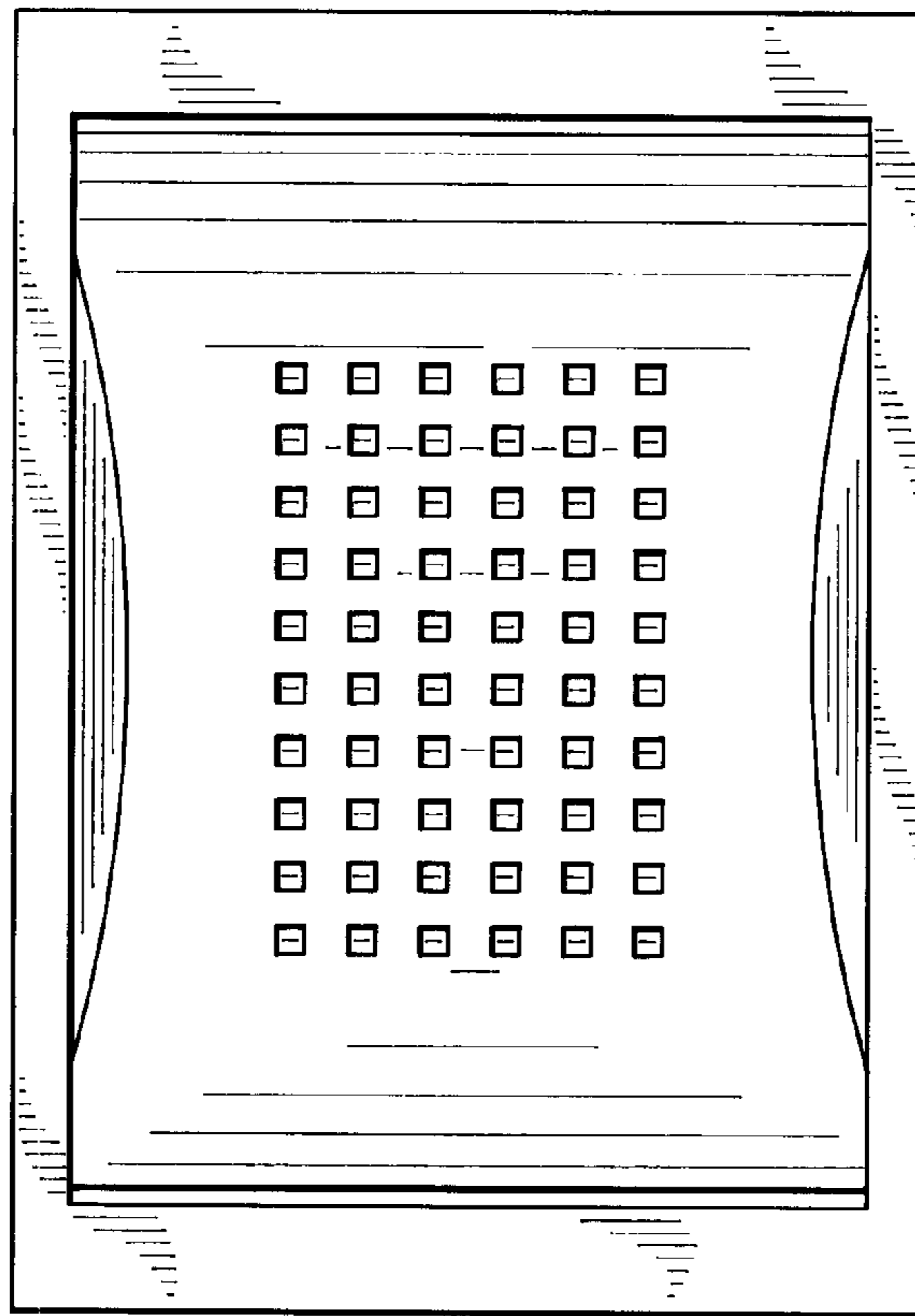


Fig. 5

