

US00D533739S

(12) **United States Design Patent**
Miesieski et al.

(10) **Patent No.:** **US D533,739 S**

(45) **Date of Patent:** **** Dec. 19, 2006**

(54) **GOALIE MASK BEER DISPENSER**

(75) Inventors: **Brian Miesieski**, Stamford, CT (US);
Devin Kelly, Norwalk, CT (US); **Geoff**
Blanck, Fairfield, CT (US)

(73) Assignee: **Labatt Brewing Company Limited**,
London (CA)

(**) Term: **14 Years**

(21) Appl. No.: **29/200,960**

(22) Filed: **Mar. 9, 2004**

(51) **LOC (8) Cl.** **20-02**

(52) **U.S. Cl.** **D6/515**

(58) **Field of Classification Search** D6/515,
D6/518; D29/106; 221/282–283, 277
See application file for complete search history.

(56) **References Cited**

U.S. PATENT DOCUMENTS

- D291,392 S * 8/1987 Worthen D6/515
- 4,852,767 A * 8/1989 Humphrey 221/277
- D364,264 S * 11/1995 Sheer D29/106

- D401,018 S * 11/1998 Chartrand D29/106
- 6,722,526 B1 * 4/2004 Passetti 221/283
- D491,316 S * 6/2004 Udelhofen et al. D29/106
- D501,342 S * 2/2005 Miesieski et al. D6/515
- D501,343 S * 2/2005 Miesieski et al. D6/515
- D501,344 S * 2/2005 Miesieski et al. D6/515

* cited by examiner

Primary Examiner—Brian N Vinson

(74) *Attorney, Agent, or Firm*—Levy & Grandinetti

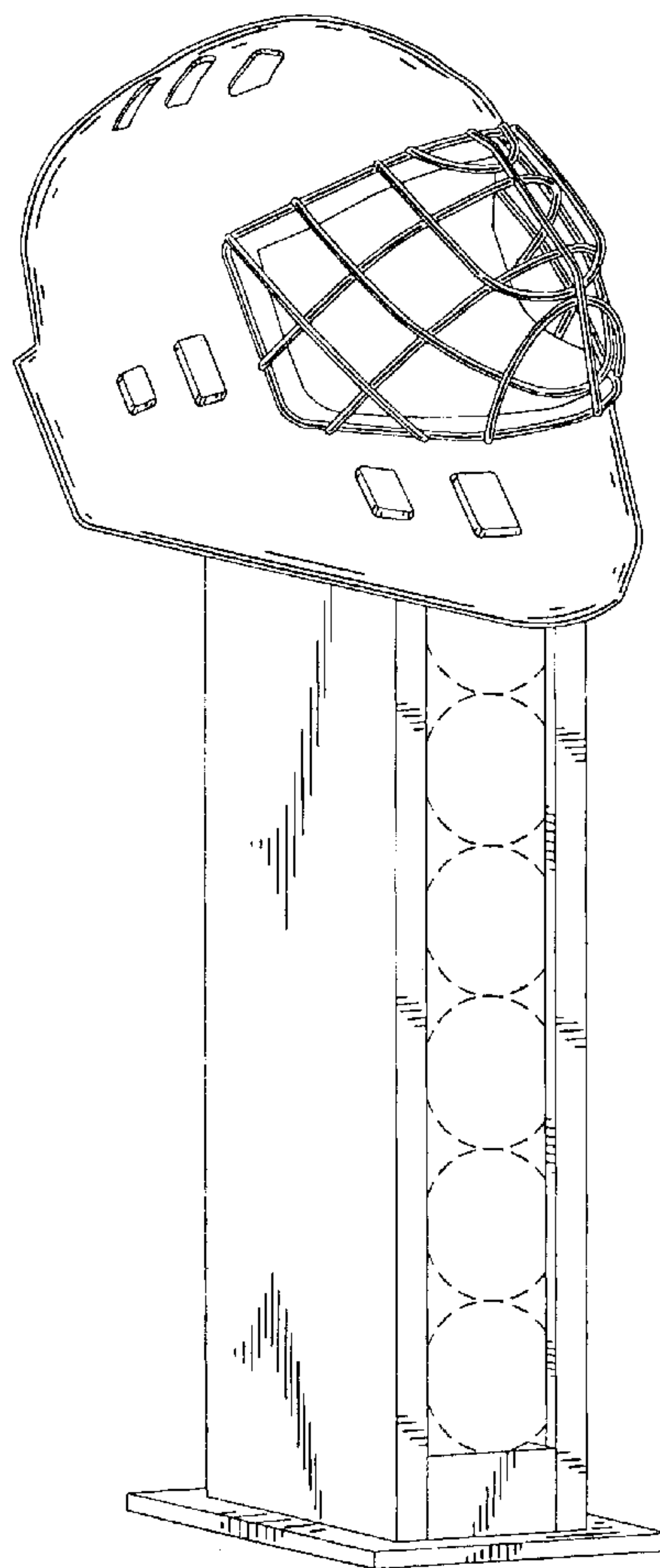
(57) **CLAIM**

The ornamental design for a goalie mask beer dispenser, as shown and described.

DESCRIPTION

FIG. 1 is a front perspective view showing our new design;
FIG. 2 is a front view thereof;
FIG. 3 is a rear view thereof;
FIG. 4 is a right side view thereof wherein the left hand side view is identical;
FIG. 5 is a top view thereof; and,
FIG. 6 is a bottom view thereof.

1 Claim, 4 Drawing Sheets



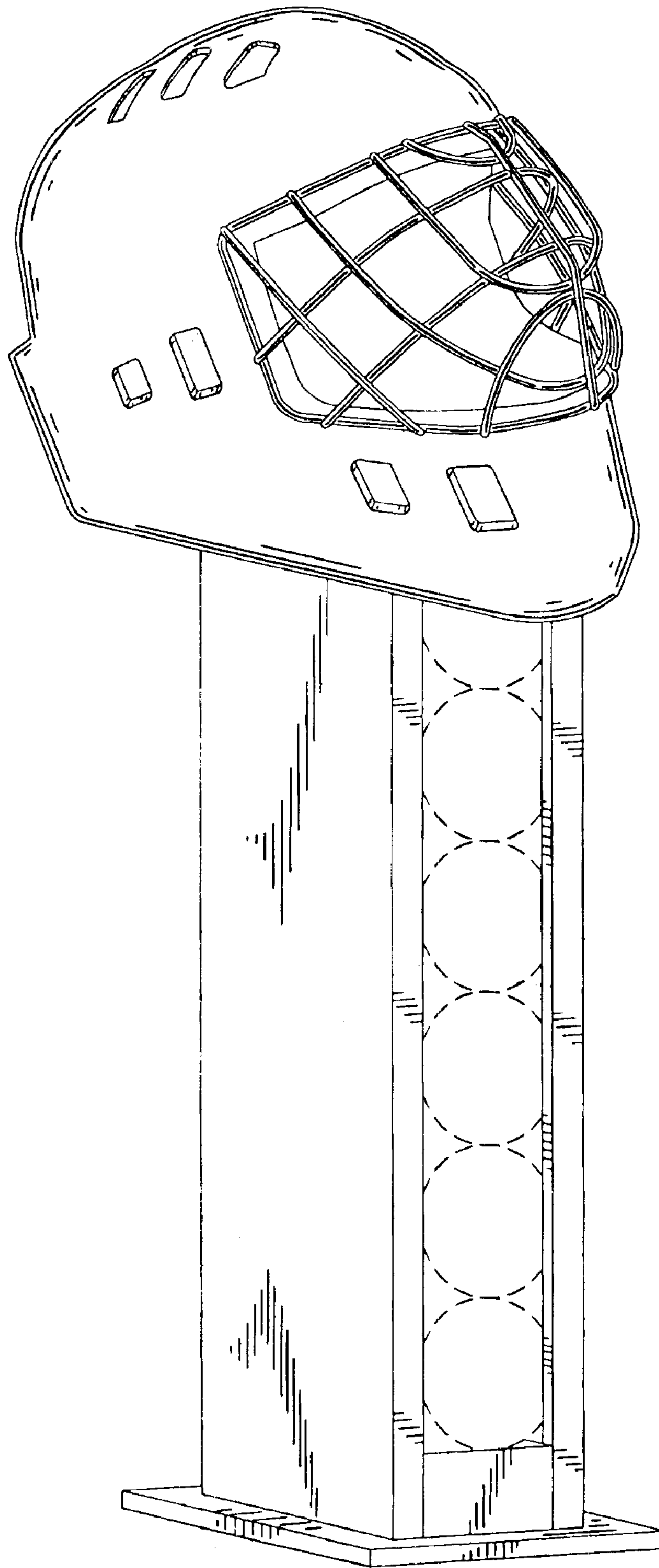


FIG. 1

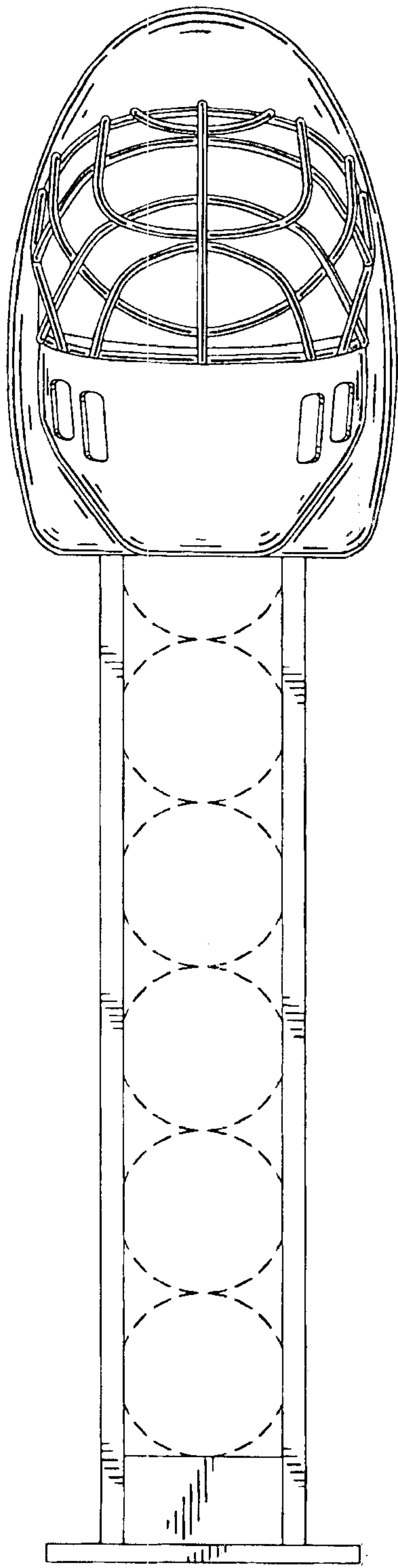


FIG. 2

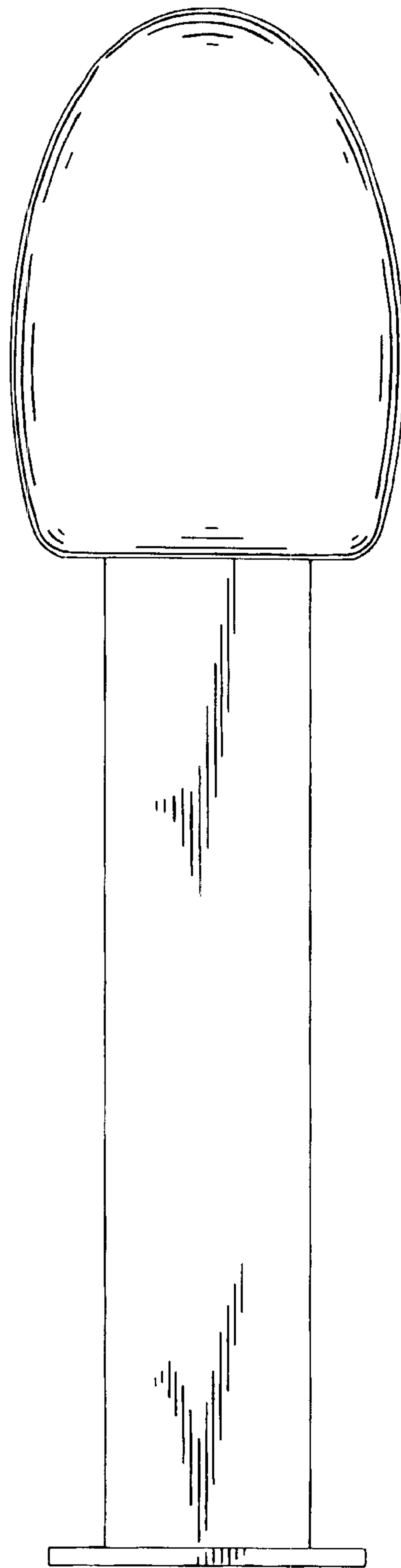


FIG. 3

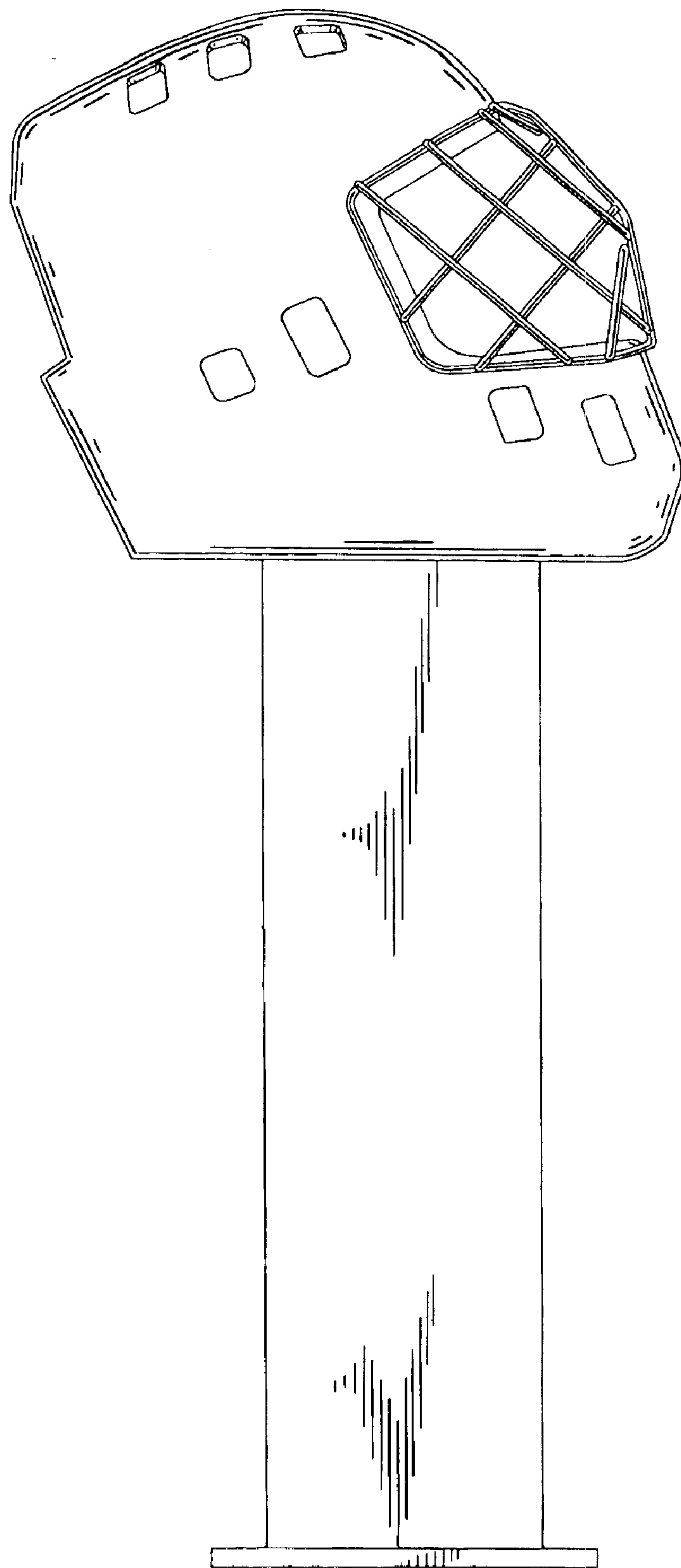


FIG. 4

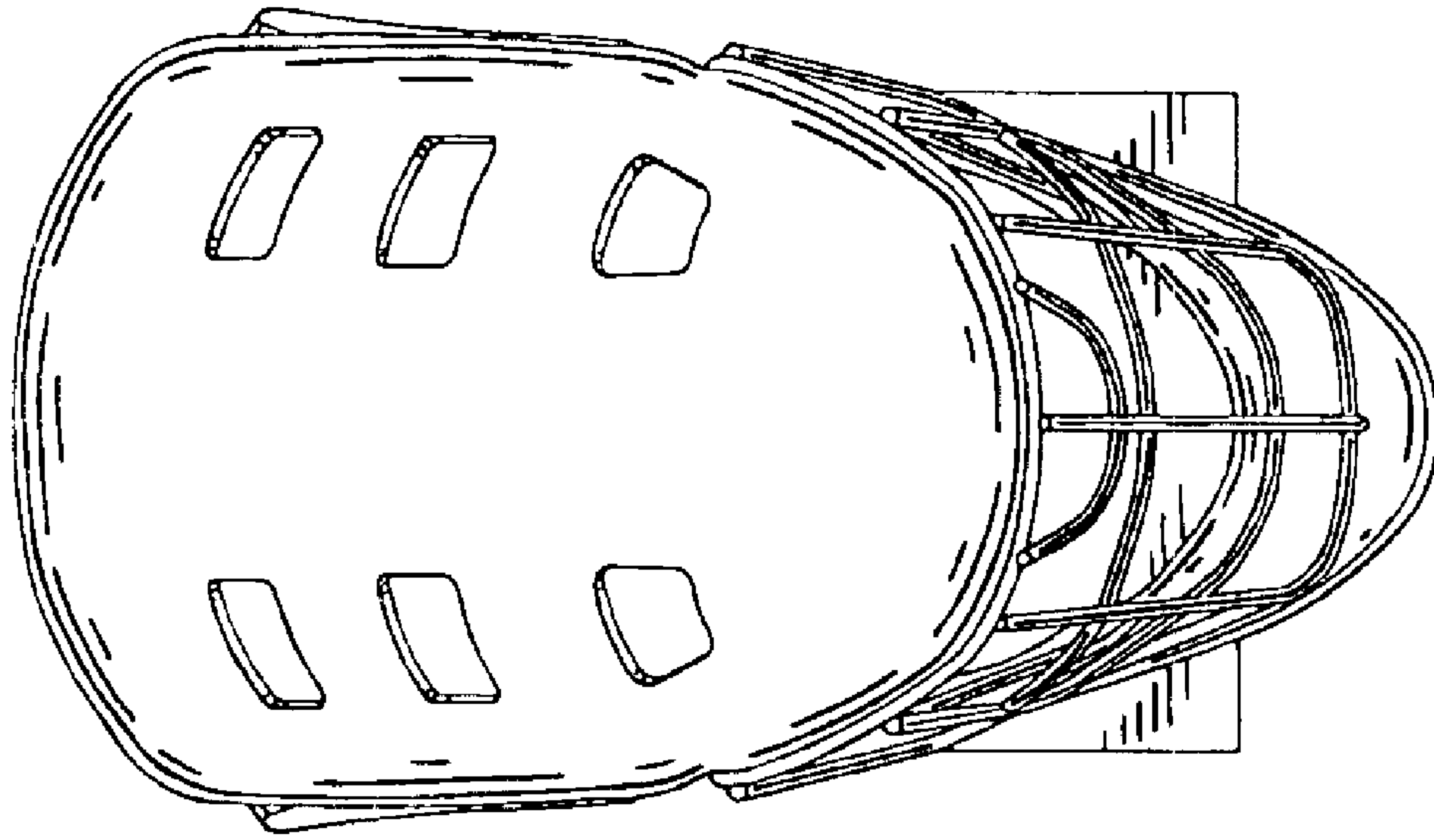


FIG. 5

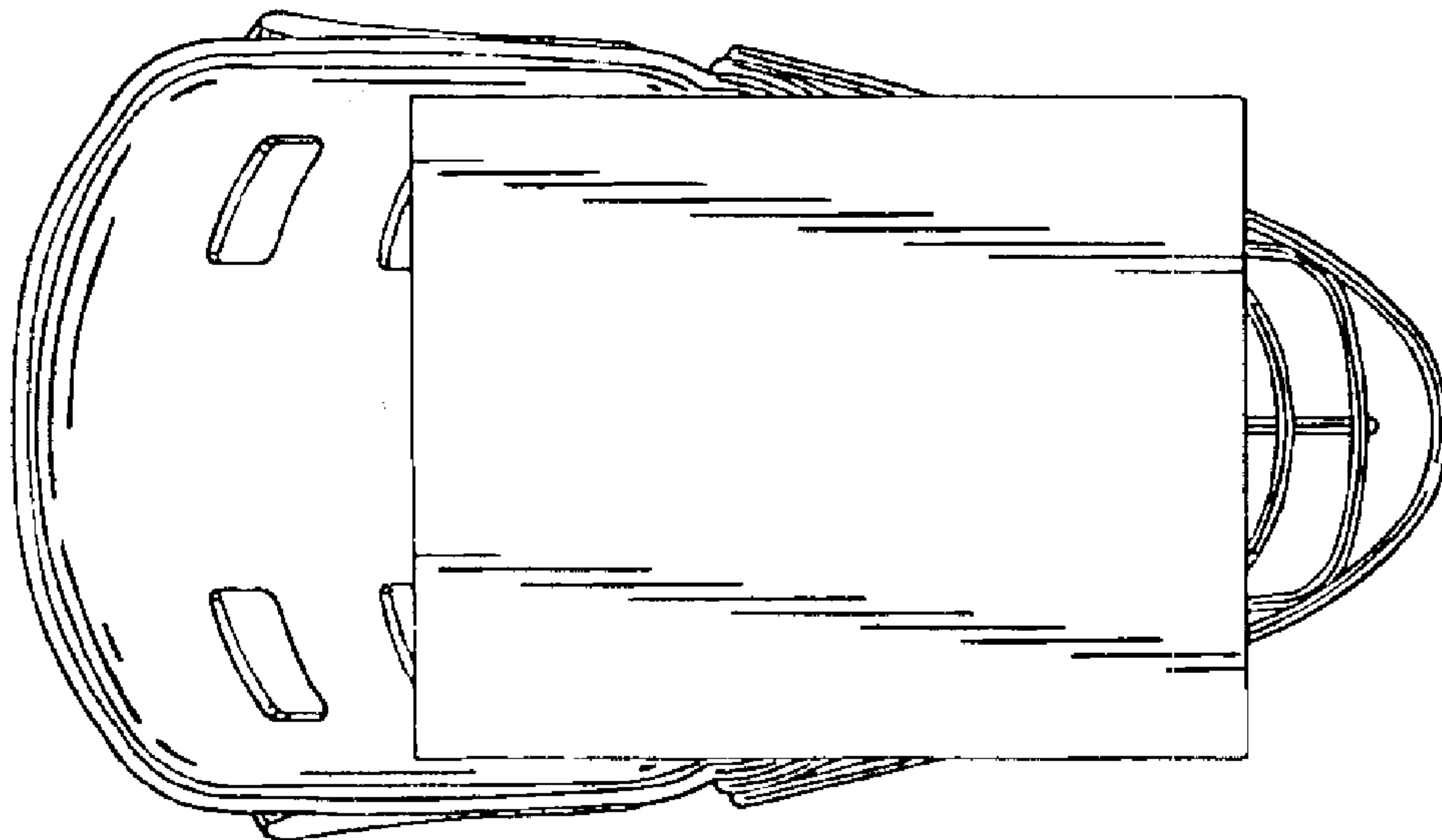


FIG. 6