

US00D533737S

(12) **United States Design Patent**
Bibi

(10) **Patent No.:** **US D533,737 S**

(45) **Date of Patent:** **** Dec. 19, 2006**

(54) **TABLE**

(75) Inventor: **Reuben Bibi**, Brooklyn, NY (US)

(73) Assignee: **E. Josef, Inc.**, Brooklyn, NY (US)

(**) Term: **14 Years**

(21) Appl. No.: **29/228,265**

(22) Filed: **Apr. 21, 2005**

(51) **LOC (8) Cl.** **06-03**

(52) **U.S. Cl.** **D6/484; D21/397**

(58) **Field of Classification Search** D6/480-489,
D6/495-499, 422-426, 451, 429, 430; 108/150,
108/153.1, 155, 156, 157.1, 161, 157.18,
108/11, 62, 34; 248/188, 188.1; D21/397
See application file for complete search history.

(56) **References Cited**

U.S. PATENT DOCUMENTS

3,001,843 A * 9/1961 Davis 108/62
D239,584 S * 4/1976 Vrignaud D6/484
D490,254 S * 5/2004 Stanton D6/484

D513,139 S * 12/2005 Bibi D6/480
D513,909 S * 1/2006 Bibi D6/484

* cited by examiner

Primary Examiner—Janice Seeger

(74) *Attorney, Agent, or Firm*—Ezra Sutton, Esq.

(57) **CLAIM**

The ornamental design for a table, as shown and described.

DESCRIPTION

FIG. 1 is a front perspective view of a table embodying my new design with a first playing surface on the top of the table;

FIG. 2 is a front perspective view of a table embodying my new design with a second playing surface rotated to the top of the table;

FIG. 3 is a front elevational view thereof, and the rear elevational view being a mirror image thereof;

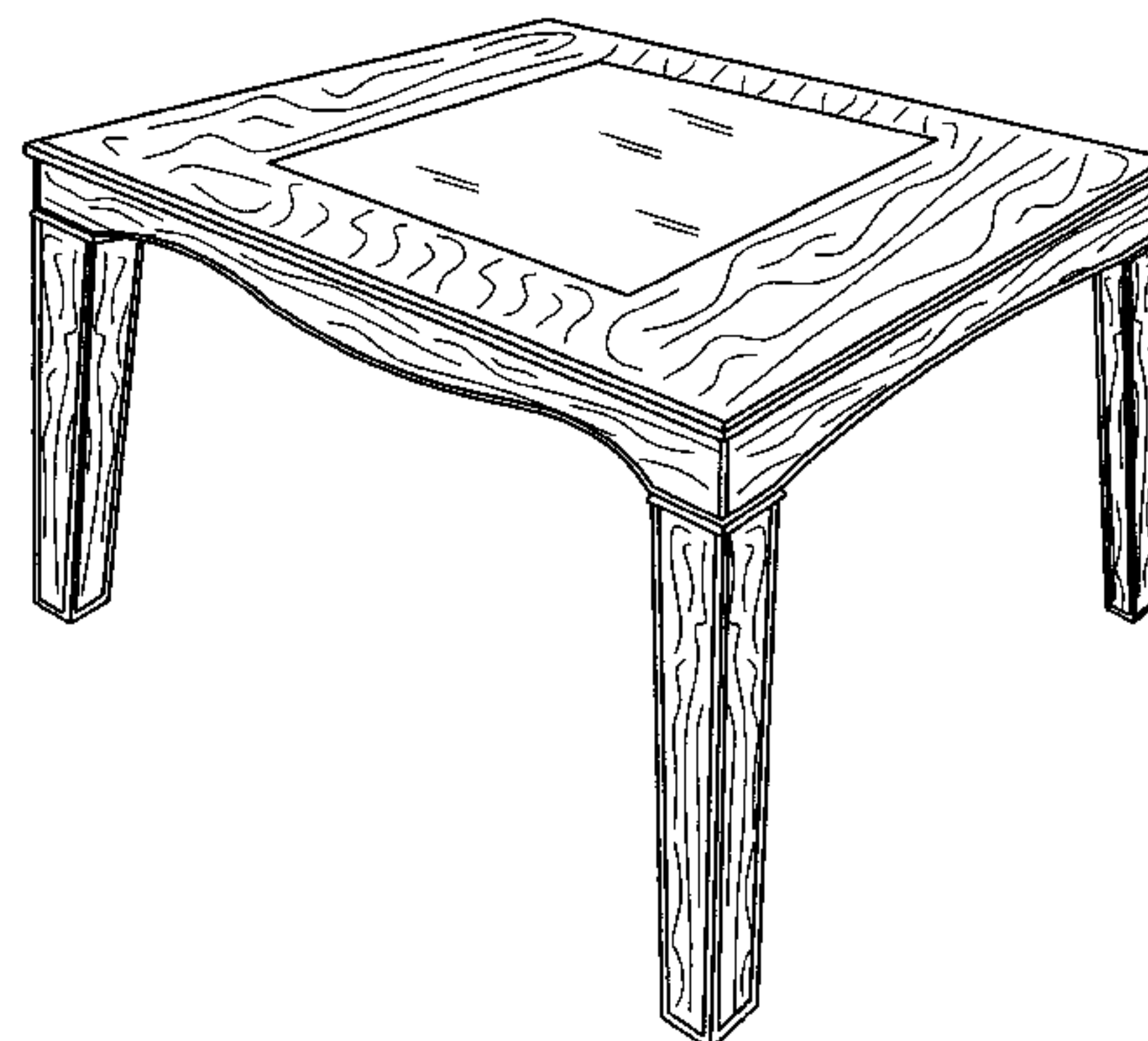
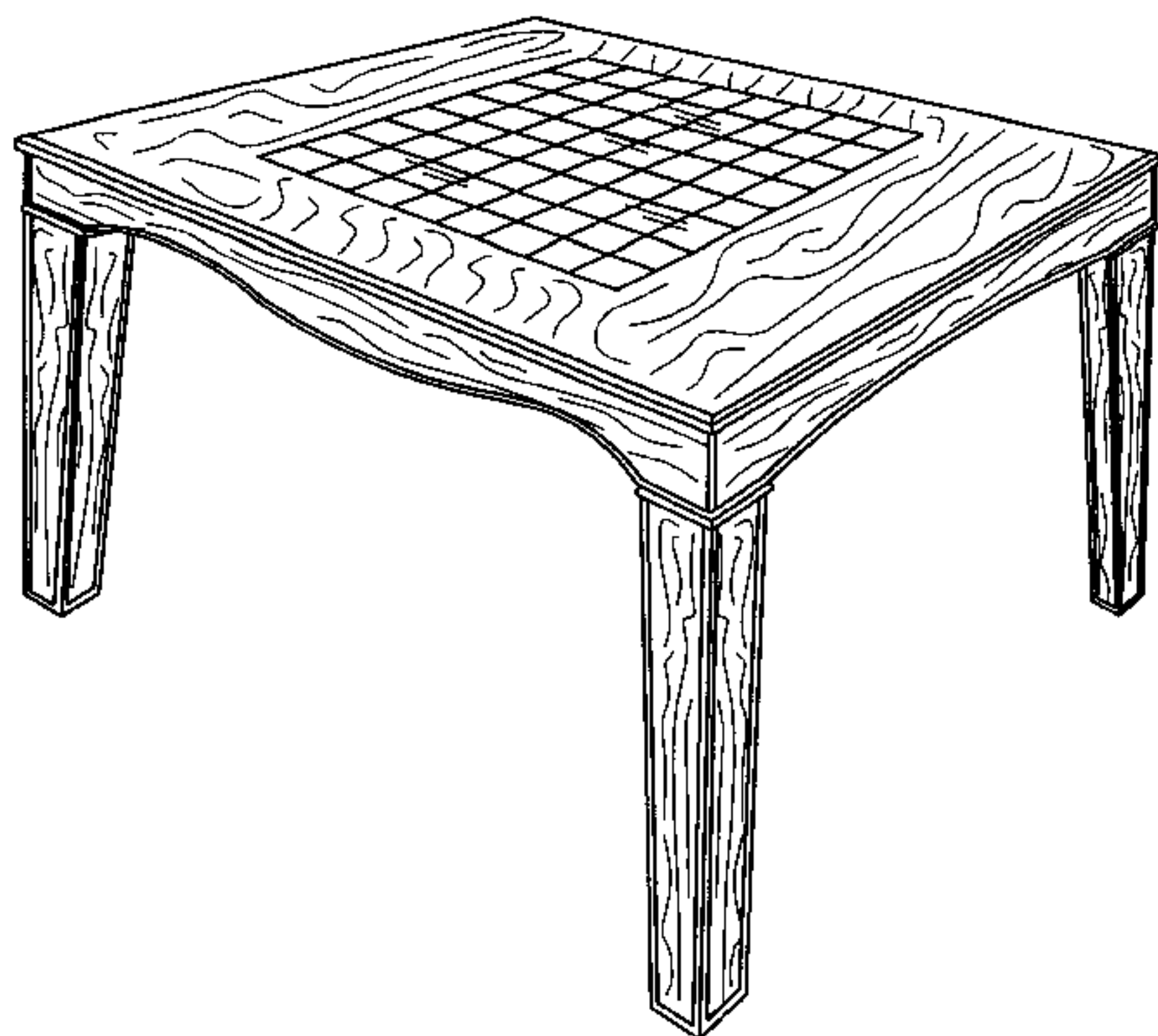
FIG. 4 is a left side elevational view thereof, and the right side elevational view being a mirror image thereof;

FIG. 5 is a top plan view thereof;

FIG. 6 is a bottom plan view thereof; and,

FIG. 7 is a perspective view of an alternate embodiment having a square shape.

1 Claim, 4 Drawing Sheets



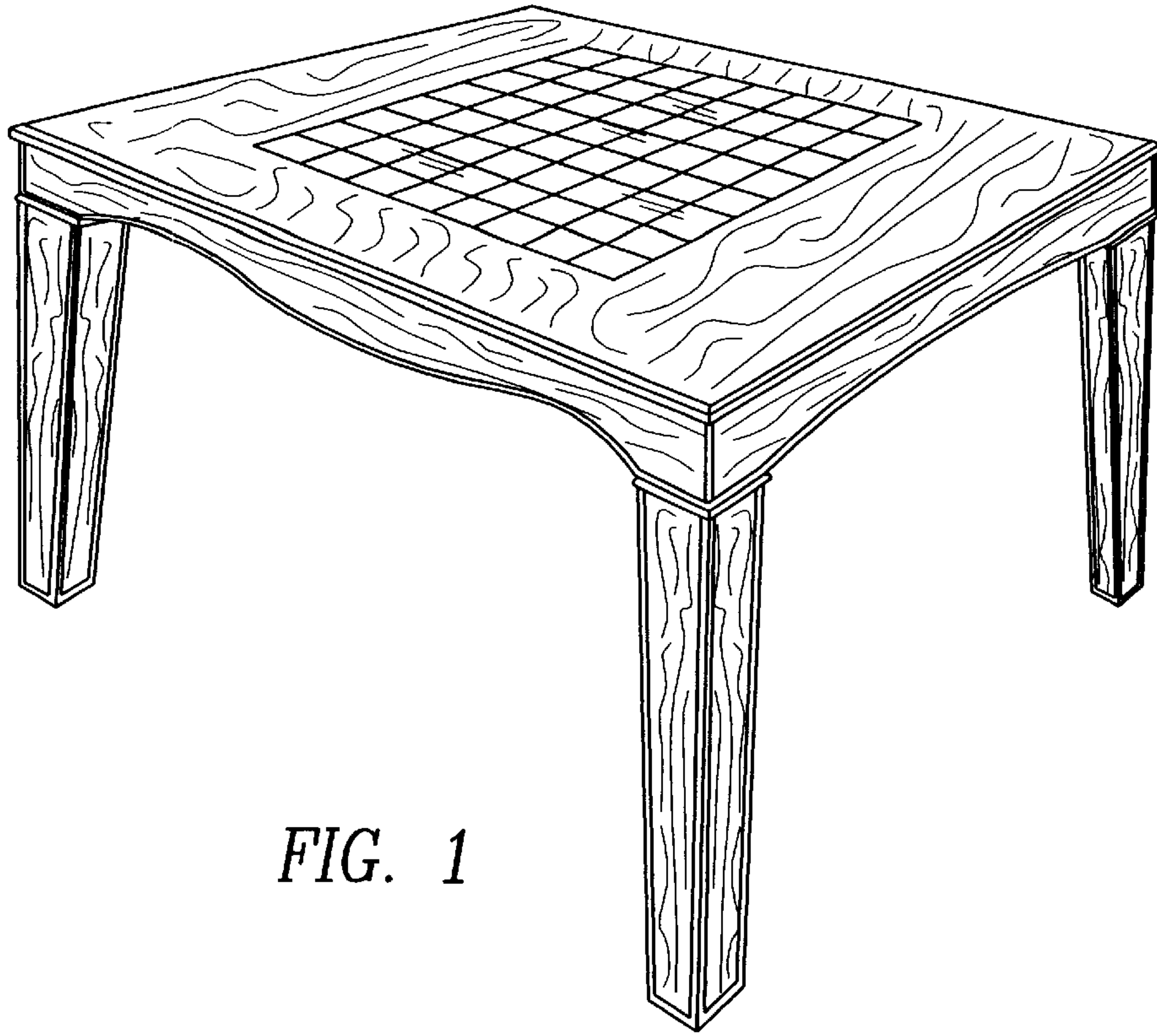


FIG. 1

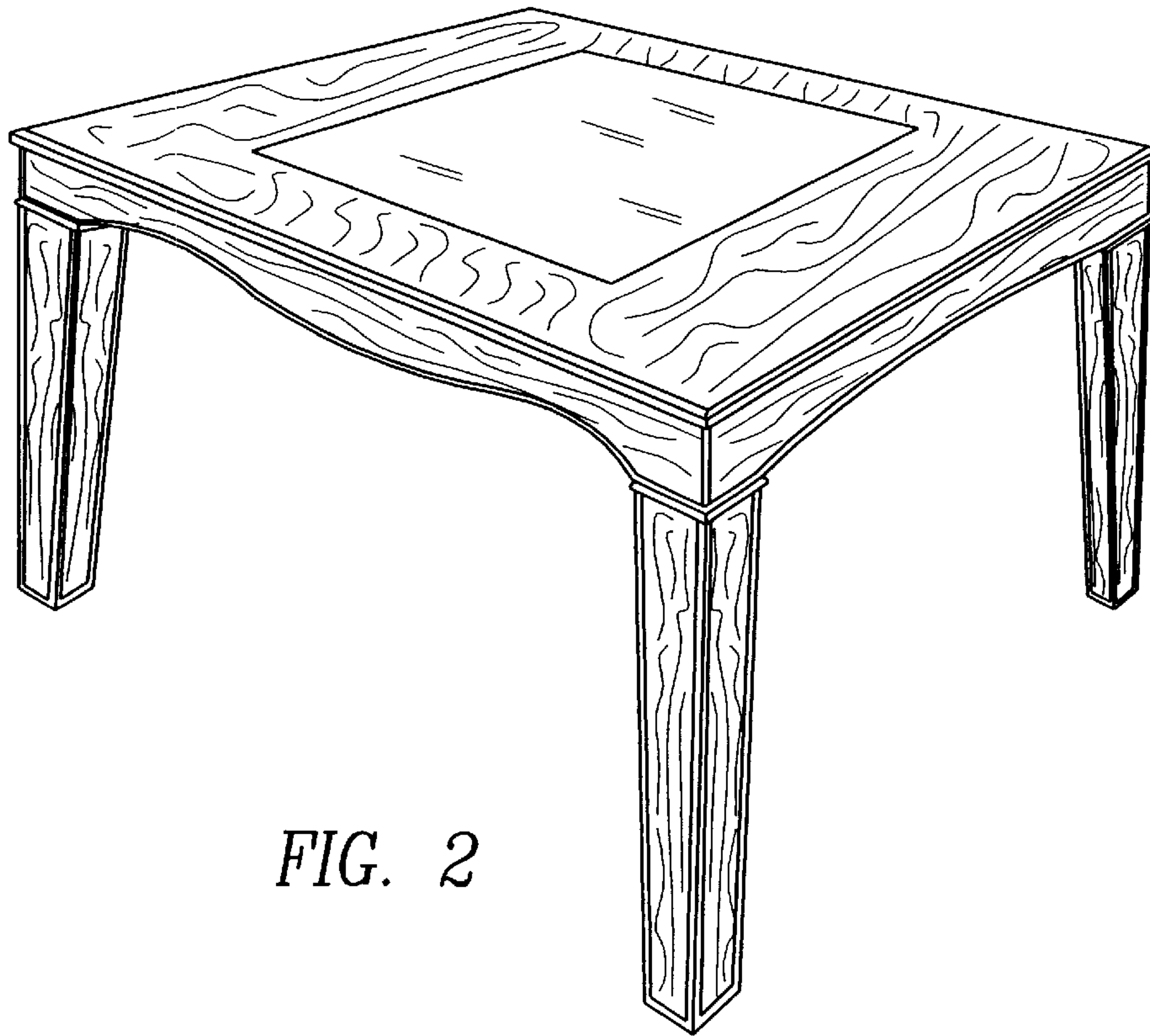


FIG. 2

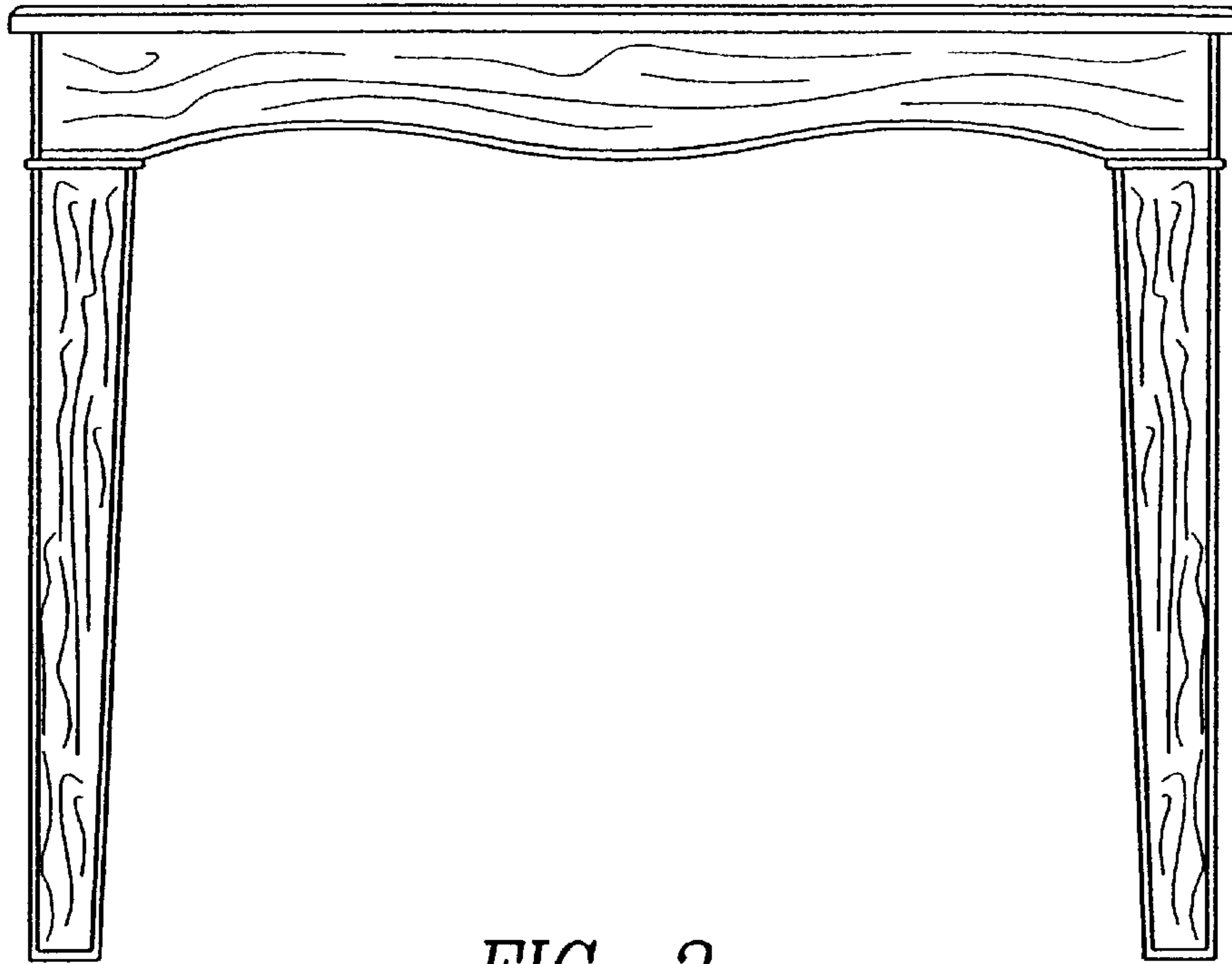


FIG. 3

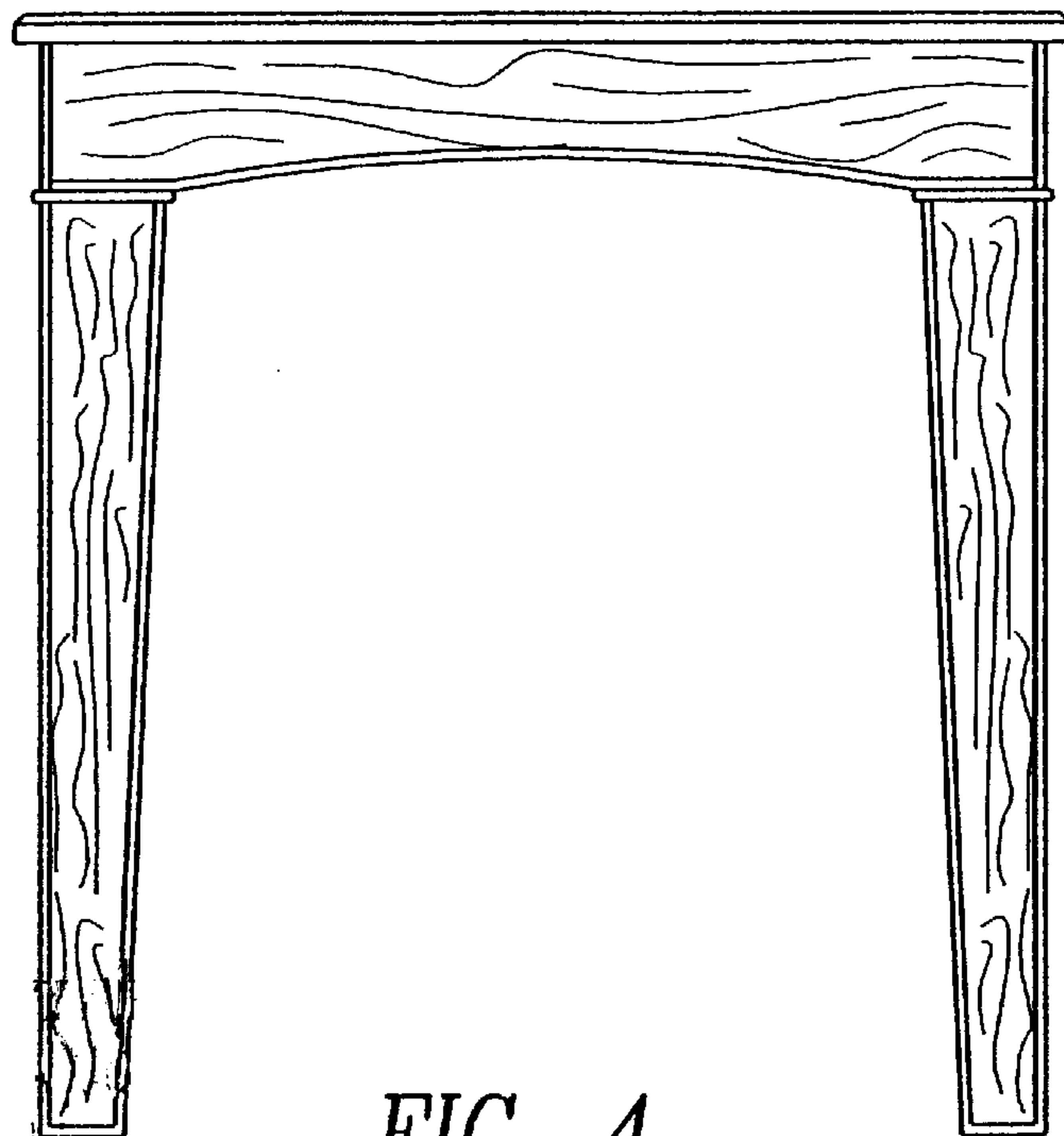


FIG. 4

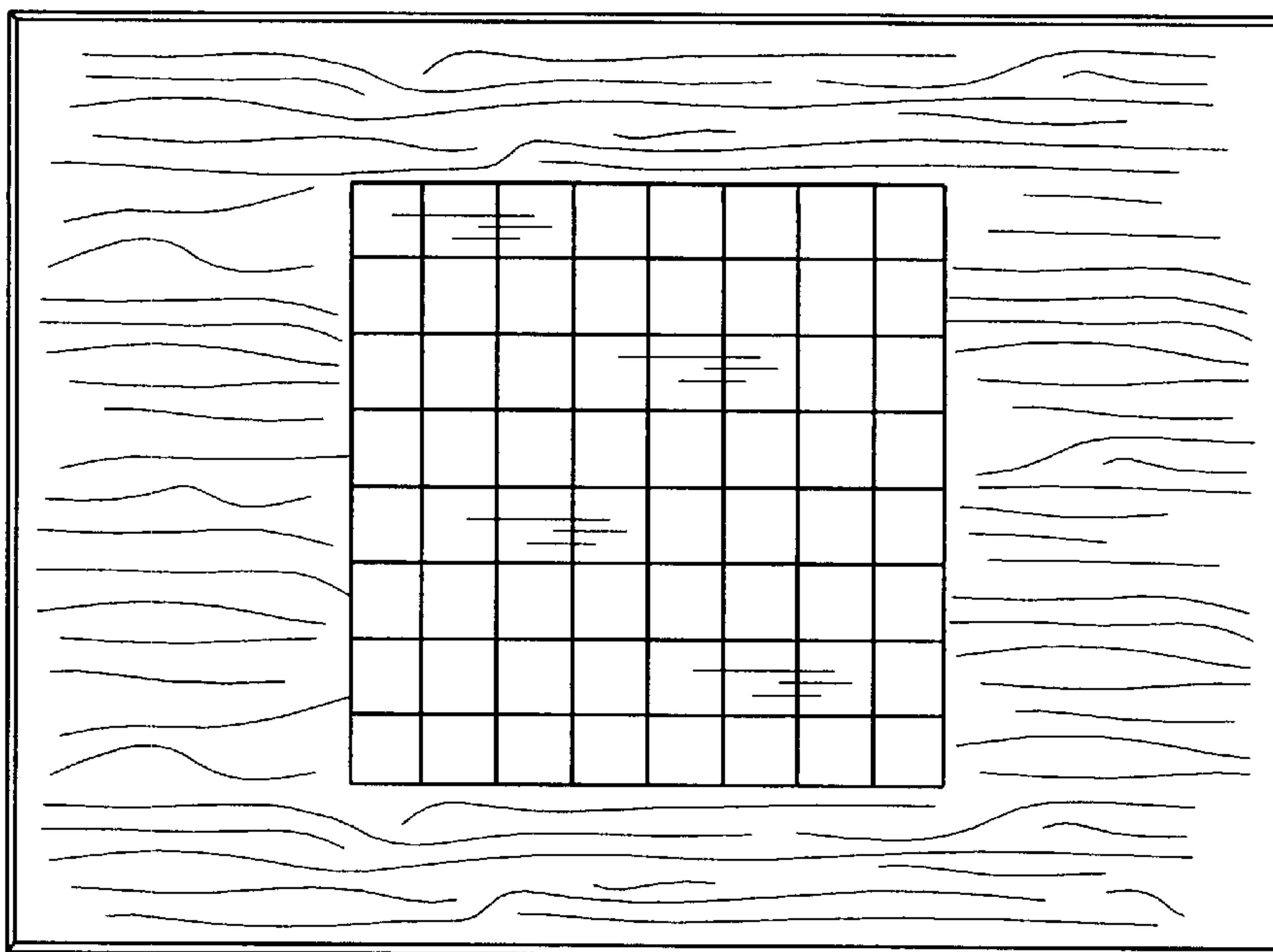


FIG. 5

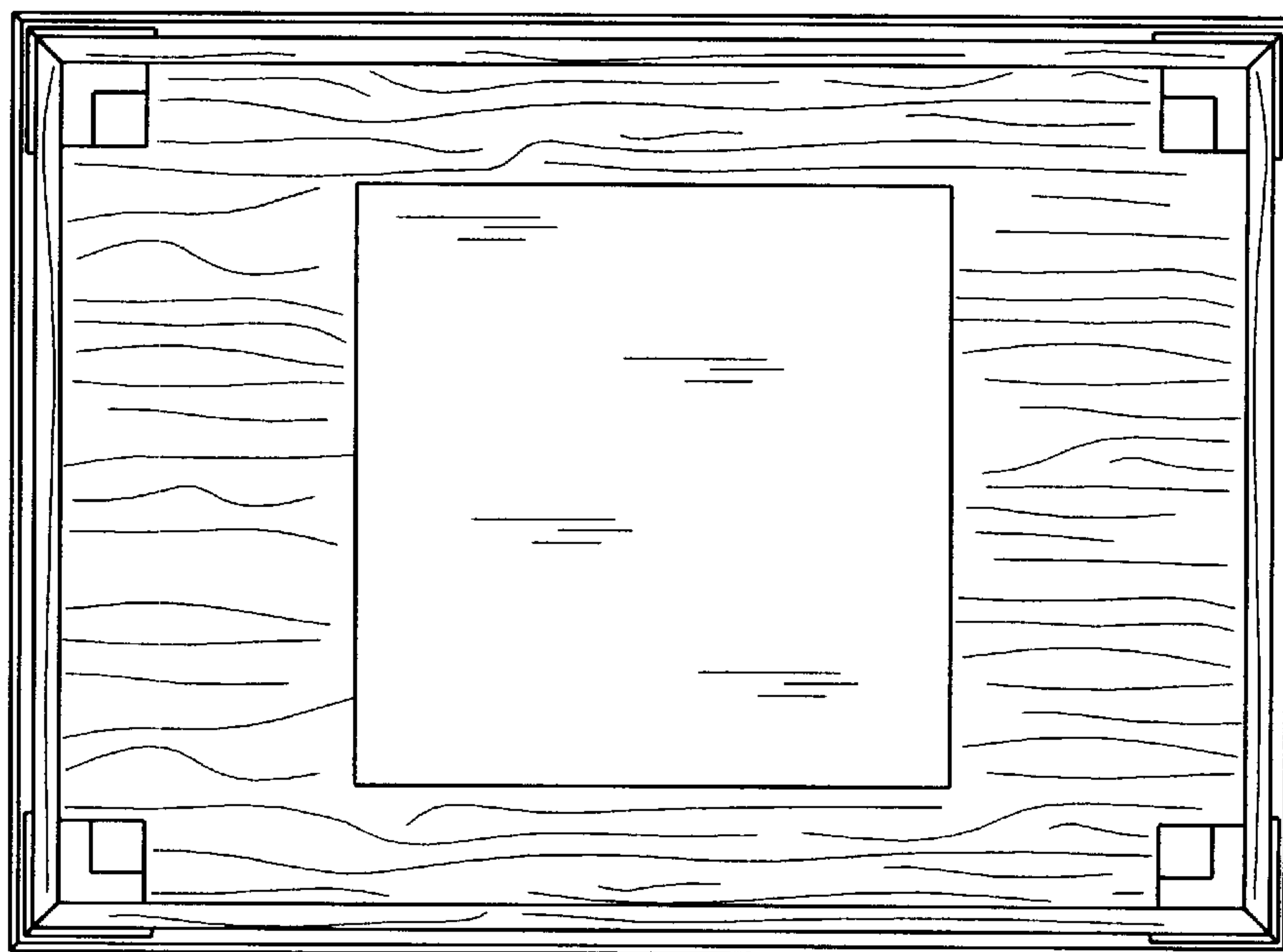


FIG. 6

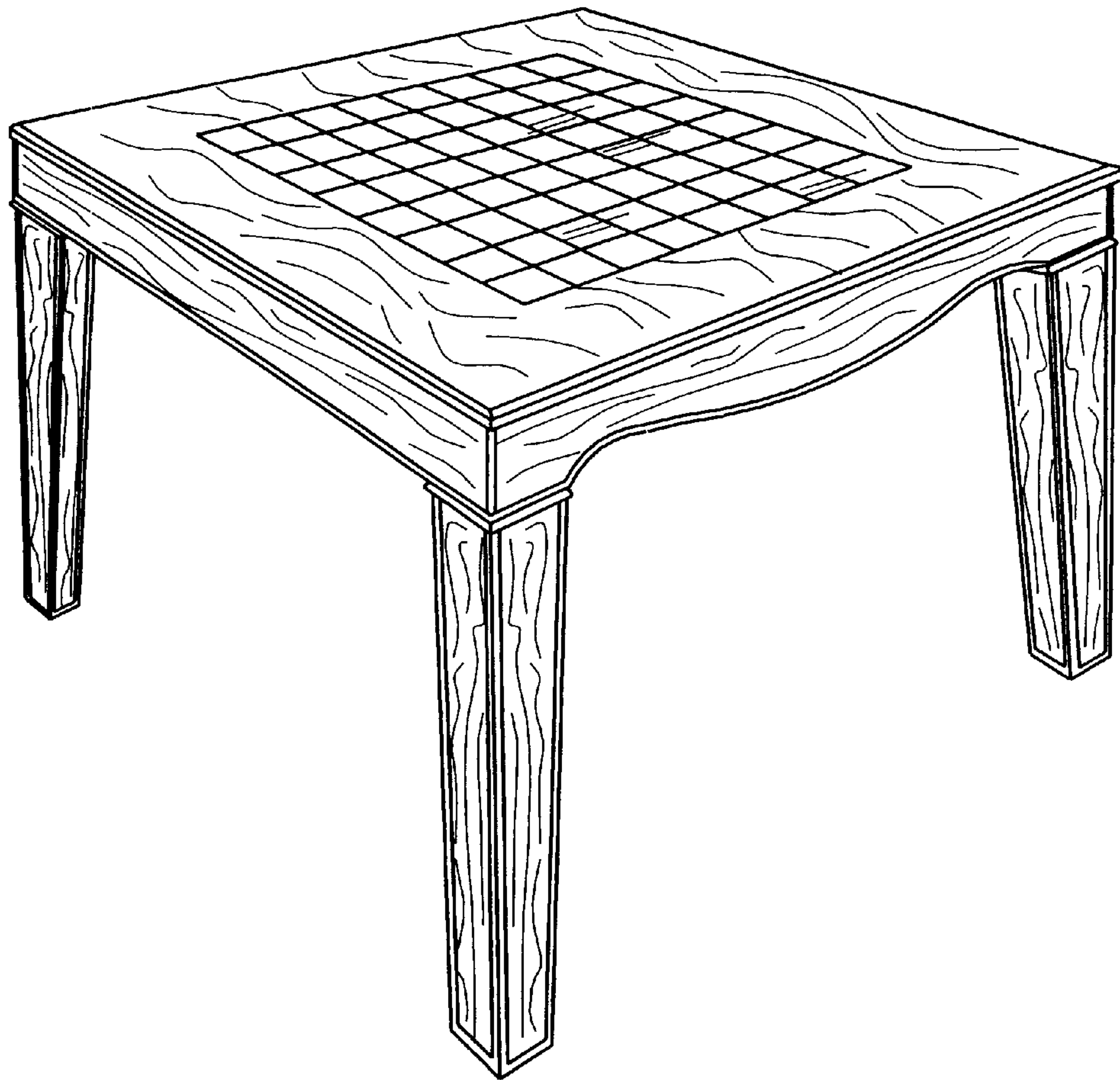


FIG. 7