



US00D533736S

(12) **United States Design Patent** (10) **Patent No.:** **US D533,736 S**  
**Raile** (45) **Date of Patent:** **\*\* Dec. 19, 2006**

- (54) **EYEGLASS DISPLAY**
- (75) Inventor: **Bruce Raile**, Park City, UT (US)
- (73) Assignee: **Sun Optics, Inc.**, Salt Lake City, UT (US)
- (\*\*) Term: **14 Years**
- (21) Appl. No.: **29/207,392**
- (22) Filed: **Jun. 14, 2004**
- (51) **LOC (8) Cl.** ..... **06-04**
- (52) **U.S. Cl.** ..... **D6/469**
- (58) **Field of Classification Search** ..... D6/407,  
D6/408, 426, 449, 455-457, 466, 467, 469;  
211/13.1, 42, 59.2, 59.3, 70, 85.1, 85.26,  
211/85.4; D24/230; 40/312; D19/62; D20/10;  
99/426
- See application file for complete search history.

- D275,160 S 8/1984 Shelton  
D275,161 S 8/1984 Shelton  
4,572,366 A 2/1986 Carson  
4,614,272 A 9/1986 Shelton et al.  
4,715,575 A 12/1987 Kamerer  
4,733,775 A 3/1988 Fireman  
4,744,461 A 5/1988 Lapham  
4,907,705 A \* 3/1990 Waldeck ..... 211/85.4  
D323,441 S \* 1/1992 Waldeck ..... D6/469  
5,141,117 A 8/1992 Olsen et al.  
D336,181 S \* 6/1993 Muniz ..... D6/467  
5,423,419 A 6/1995 Wentz et al.  
5,501,321 A 3/1996 Liu  
D369,466 S 5/1996 Jannard et al.  
5,568,872 A 10/1996 Hinnant, Sr.

(Continued)

FOREIGN PATENT DOCUMENTS

DE 3815889 11/1989

*Primary Examiner*—Robert M. Spear  
*Assistant Examiner*—Mary Ann Calabrese  
(74) *Attorney, Agent, or Firm*—Workman-Nydegger

(56) **References Cited**

U.S. PATENT DOCUMENTS

- 1,092,156 A 4/1914 Mathis  
2,209,657 A \* 7/1940 Martin ..... 40/312  
2,606,708 A 8/1952 Irvan  
2,713,947 A 7/1955 Foster  
2,735,597 A 2/1956 Treleven  
2,747,760 A 5/1956 Jacobson  
2,816,666 A 12/1957 Nadel  
RE24,571 E 11/1958 Nadel  
2,936,897 A 5/1960 Bloch  
2,966,271 A 12/1960 Nadel  
D201,017 S \* 5/1965 Pohmann ..... D19/62  
3,333,709 A 8/1967 Leblanc et al.  
D208,469 S 9/1967 Parker  
3,357,568 A 12/1967 Leblanc et al.  
3,593,856 A 7/1971 Zander  
3,817,392 A 6/1974 Bloch  
3,857,482 A 12/1974 Shelton  
3,866,800 A 2/1975 Schmitt  
4,000,810 A 1/1977 Leblanc  
D245,118 S \* 7/1977 Heaton ..... D24/230  
4,204,602 A 5/1980 Dunchock  
D267,992 S 2/1983 Shelton

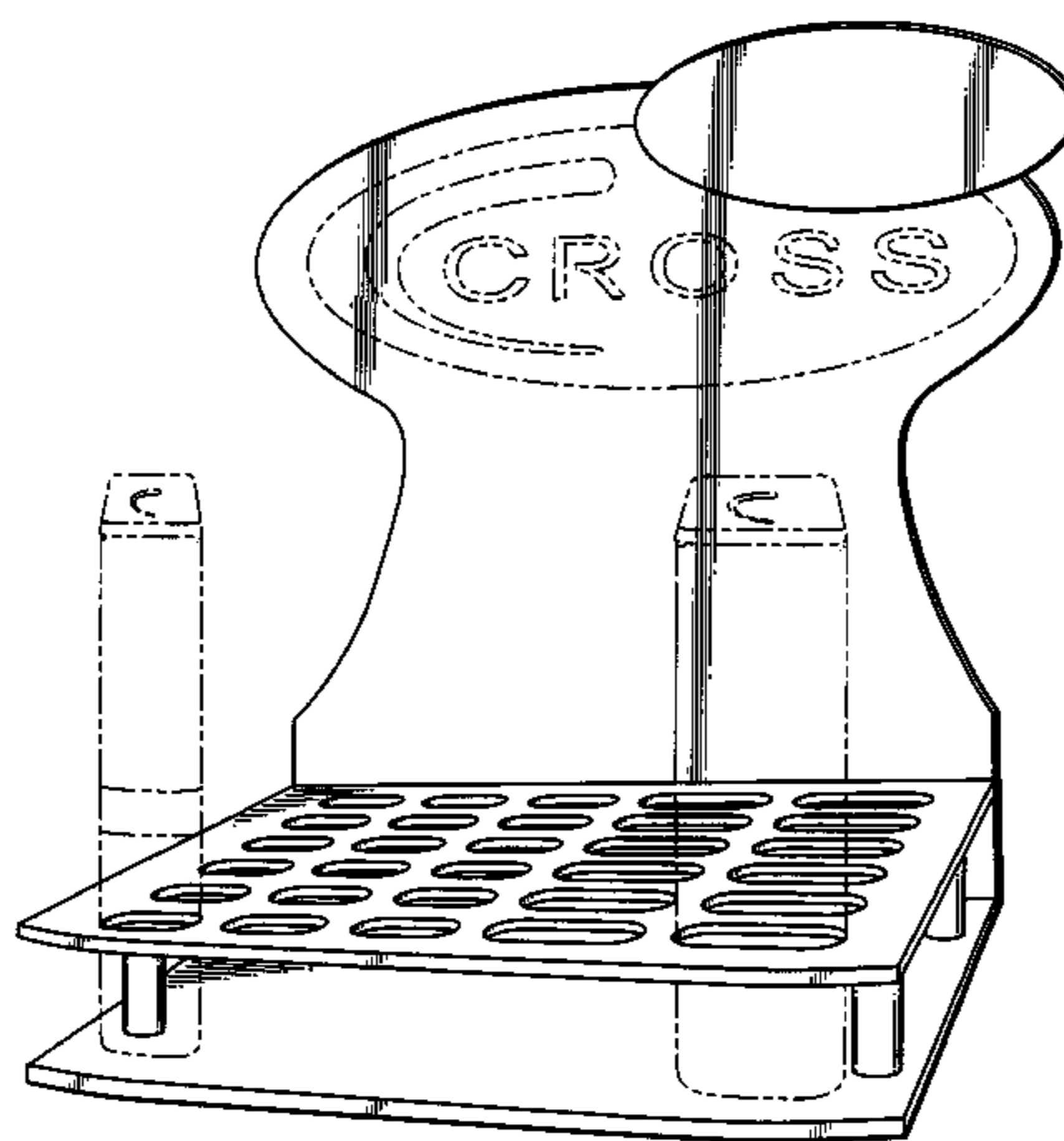
(57) **CLAIM**

The ornamental design for an eyeglass display, as shown and described.

**DESCRIPTION**

FIG. 1 is a perspective view of an eyeglass display in accordance with the present invention;  
FIG. 2 is a front elevational view of the eyeglass display as shown in FIG. 1;  
FIG. 3 is a back elevational view of the eyeglass display as shown in FIG. 1;  
FIG. 4 is a right side elevational view of the eyeglass display shown in FIG. 1, with the left side a mirror image thereof;  
FIG. 5 is a top plan view of the eyeglass display as shown in FIG. 1; and,  
FIG. 6 is a bottom plan view of the eyeglass display as shown in FIG. 1.  
The broken lines are for illustrative purposes only and form no part of the claimed design.

**1 Claim, 3 Drawing Sheets**



# US D533,736 S

Page 2

---

## U.S. PATENT DOCUMENTS

D400,373	S	*	11/1998	Toesen	.....	D6/469	6,415,915	B1	7/2002	Grossman		
5,860,358	A	*	1/1999	Shriver	.....	99/426	6,491,158	B1	12/2002	Chen		
5,929,967	A		7/1999	Conner			6,626,287	B1	9/2003	Watson		
5,949,515	A		9/1999	Hoshino			D496,541	S	*	9/2004	Wang	..... D6/466
D420,533	S	*	2/2000	Pugatch	.....	D6/469	6,789,664	B1	9/2004	Chao		
D440,256	S	*	4/2001	Wang	.....	D20/10	6,929,116	B1	8/2005	Chao et al.		
6,382,407	B1		5/2002	Chao			2003/0111361	A1	6/2003	Fischer et al.		

\* cited by examiner

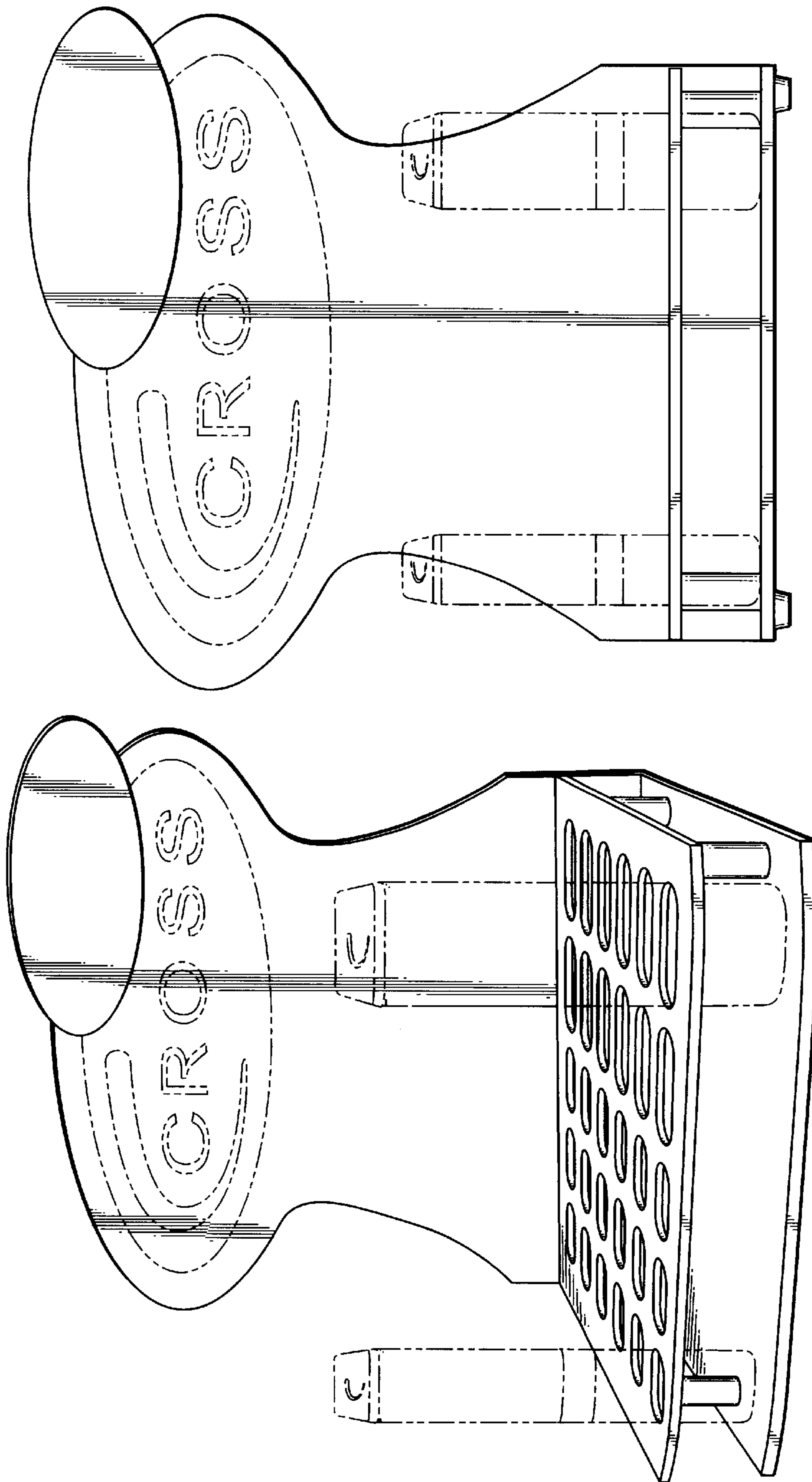


Fig. 2

Fig. 1

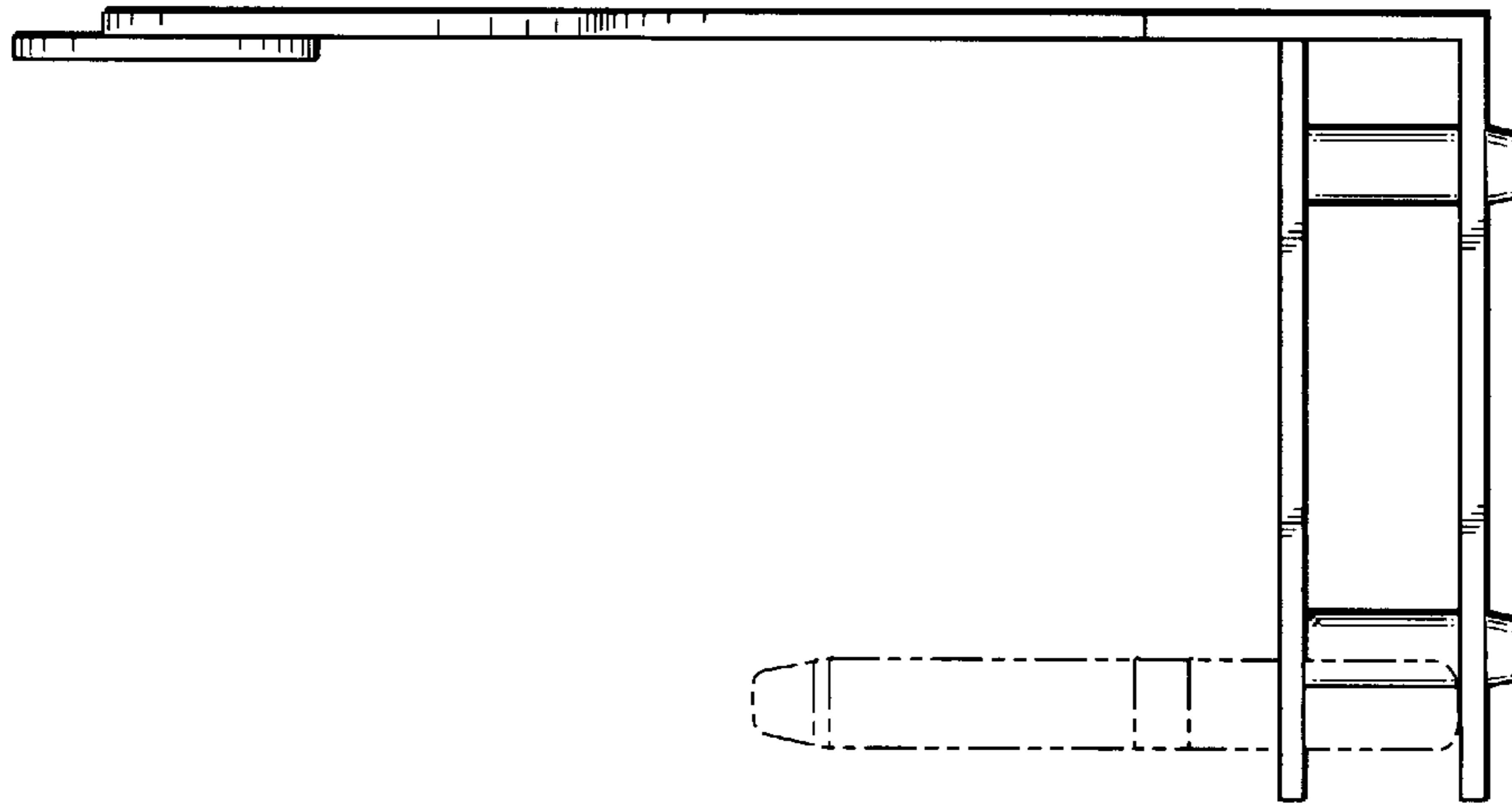


Fig. 4

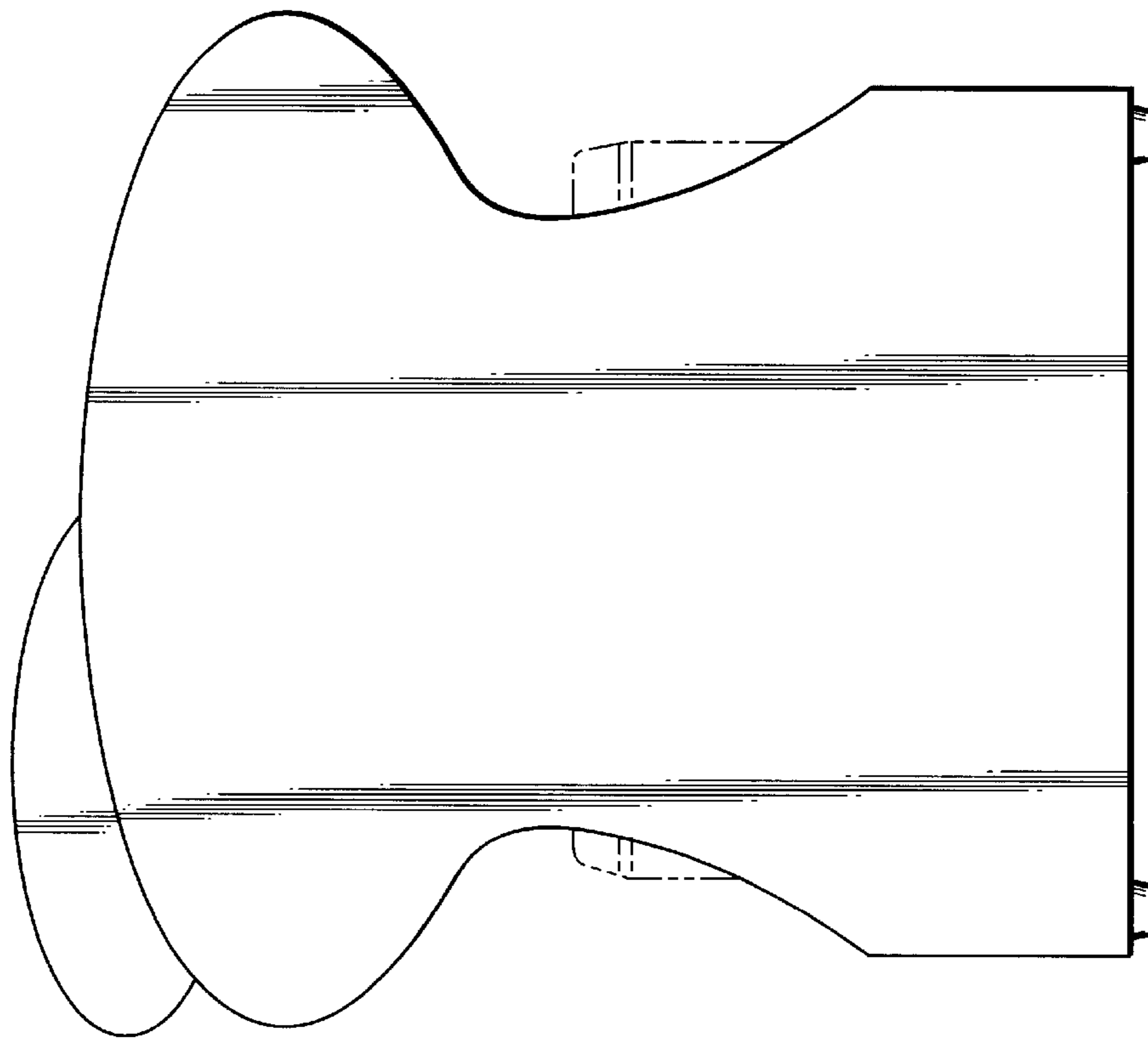


Fig. 3

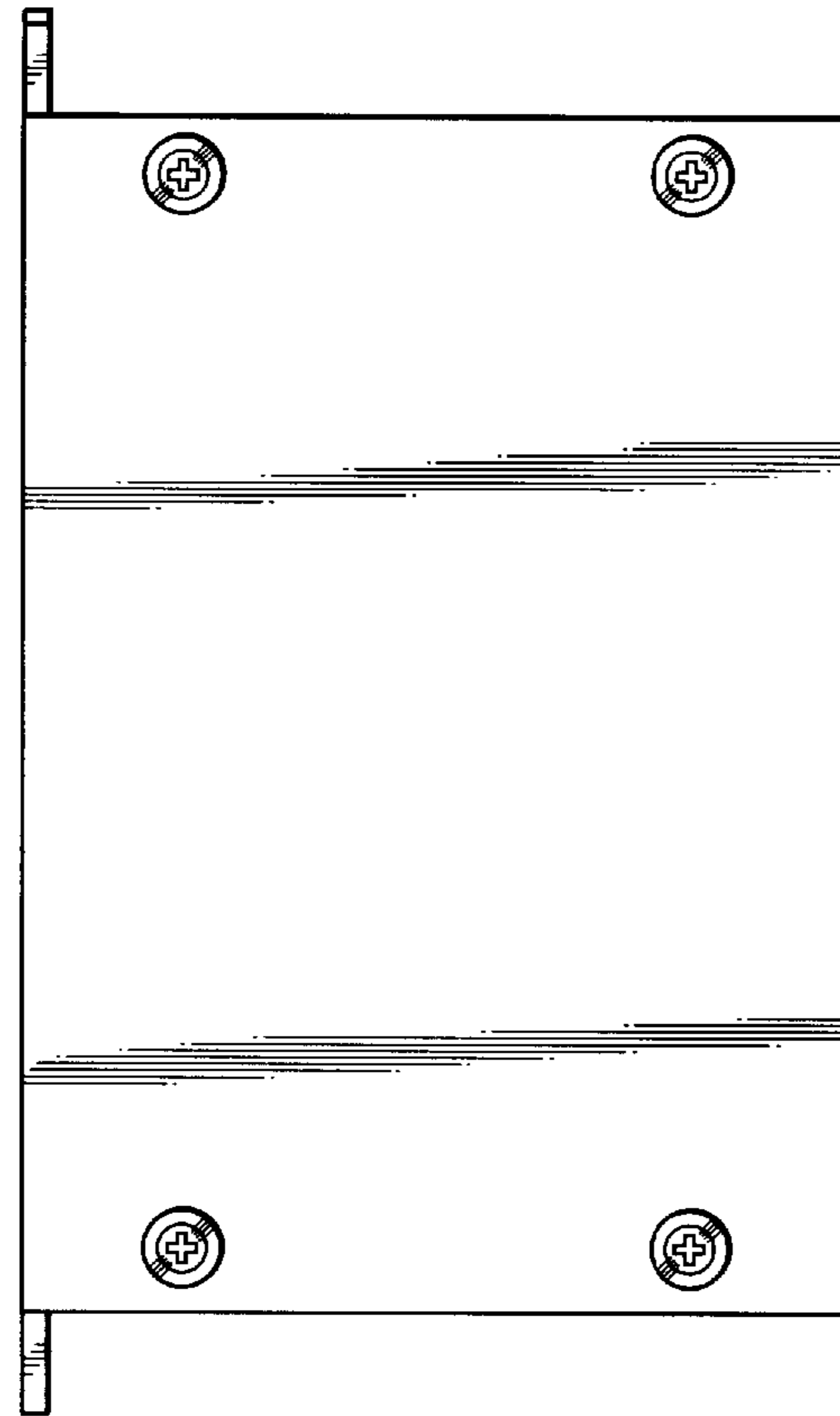


Fig. 6

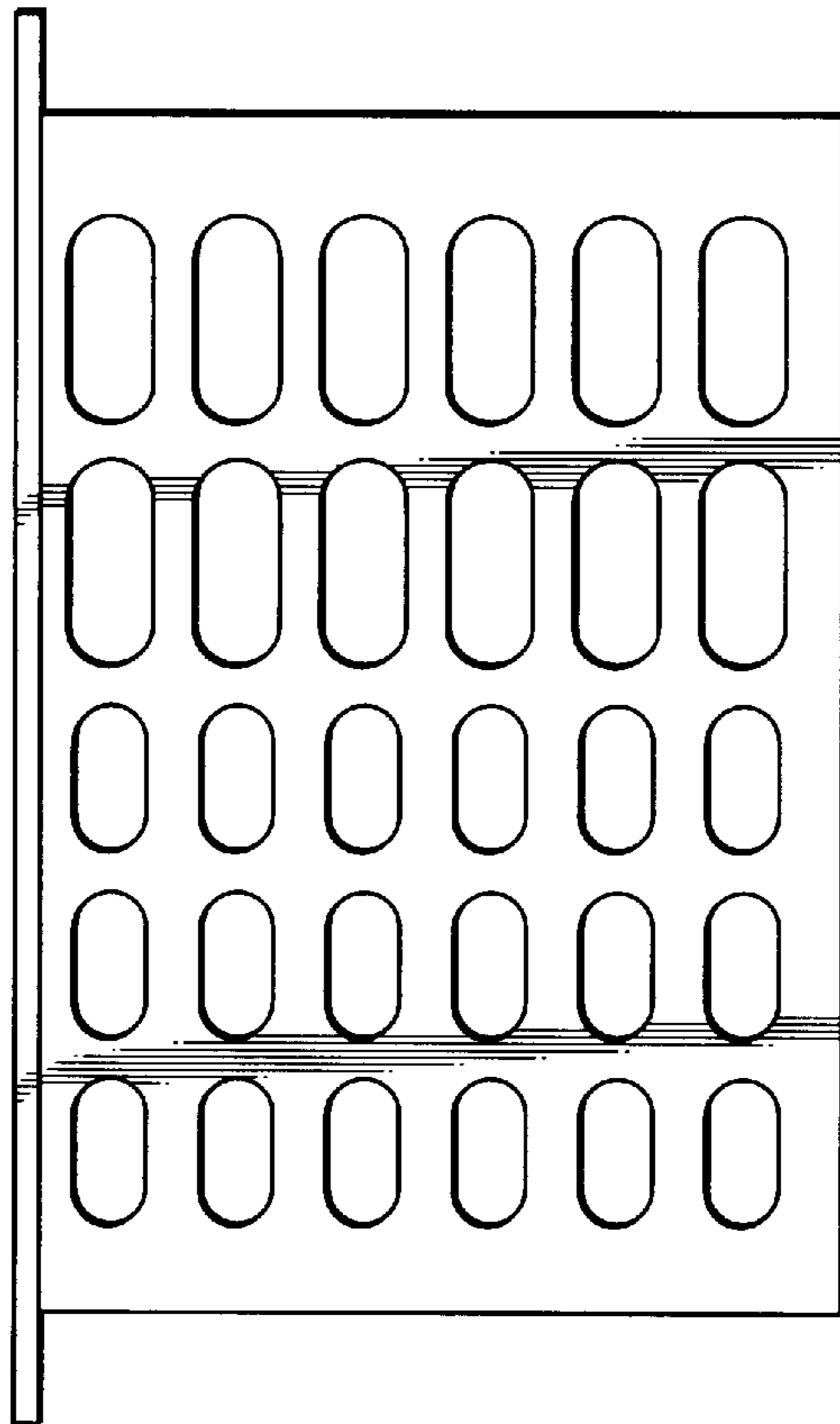


Fig. 5